



US00D659229S

(12) **United States Design Patent**
Choi

(10) **Patent No.:** **US D659,229 S**

(45) **Date of Patent:** **** May 8, 2012**

(54) **BIDET**

(75) **Inventor:** **Hun Jung Choi**, Seoul (KR)

(73) **Assignee:** **Woongjin Coway Co., Ltd.**,
Choongcheongnam-do (KR)

(**) **Term:** **14 Years**

(21) **Appl. No.:** **29/399,080**

(22) **Filed:** **Aug. 9, 2011**

(30) **Foreign Application Priority Data**

Feb. 10, 2011 (KR) 30-2011-0004958

(51) **LOC (9) Cl.** **23-02**

(52) **U.S. Cl.** **D23/311**

(58) **Field of Classification Search** D23/311,
D23/303; 4/234, 237-238

See application file for complete search history.

(56) **References Cited**

U.S. PATENT DOCUMENTS

D496,990 S 10/2004 Yamanaka et al.
D500,845 S 1/2005 Yamanaka et al.
D594,945 S 6/2009 Nakasaki et al.

Primary Examiner — Robert Delehanty

(74) *Attorney, Agent, or Firm* — McDermott Will & Emery
LLP

(57) **CLAIM**

The ornamental design for bidet, as shown and described.

DESCRIPTION

FIG. 1 is a perspective view of a bidet

FIG. 2 is a front view thereof

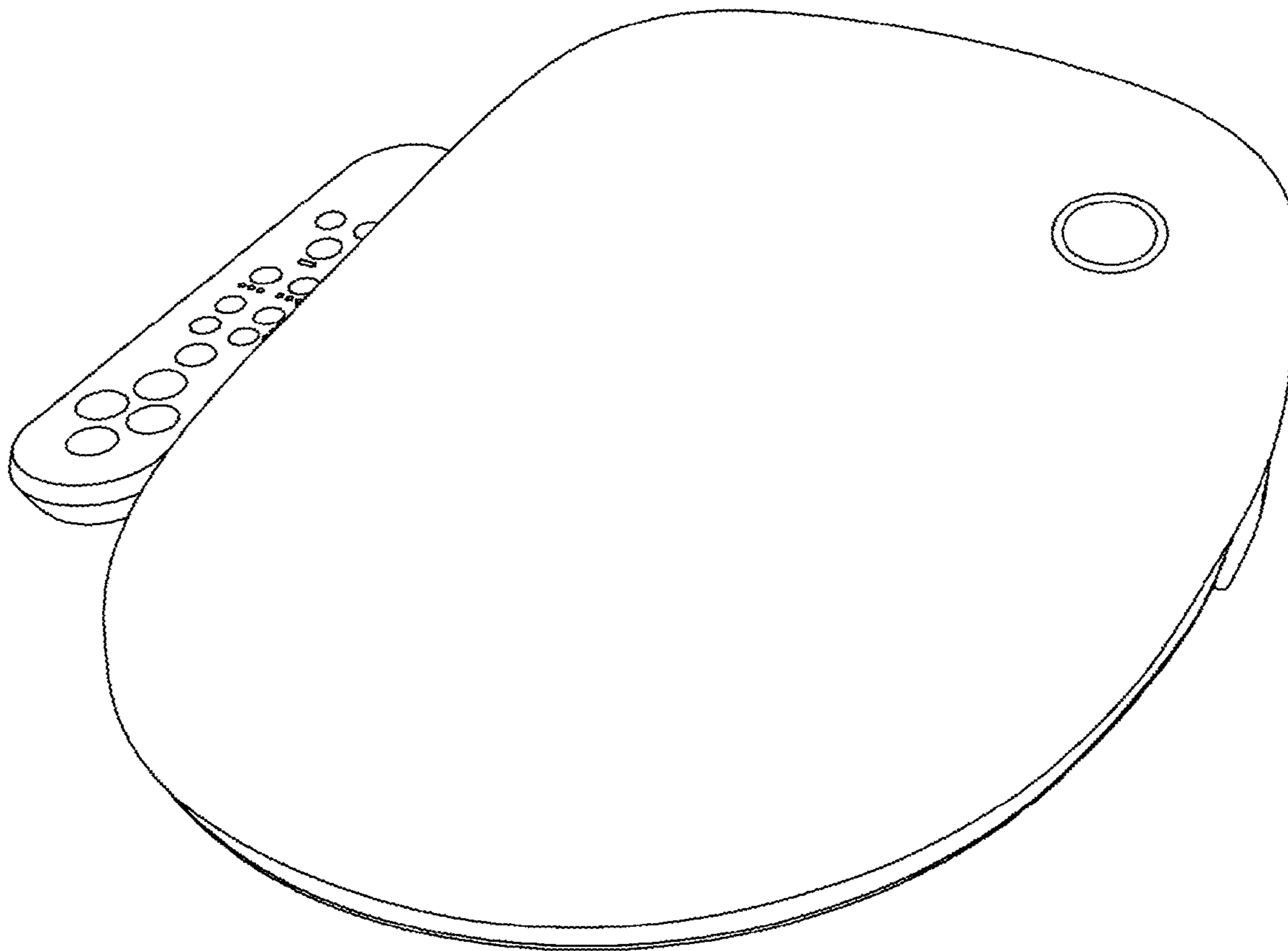
FIG. 3 is a rear view thereof

FIG. 4 is a left side view thereof

FIG. 5 is a right side view thereof; and,

FIG. 6 is a top plan view thereof.

1 Claim, 6 Drawing Sheets



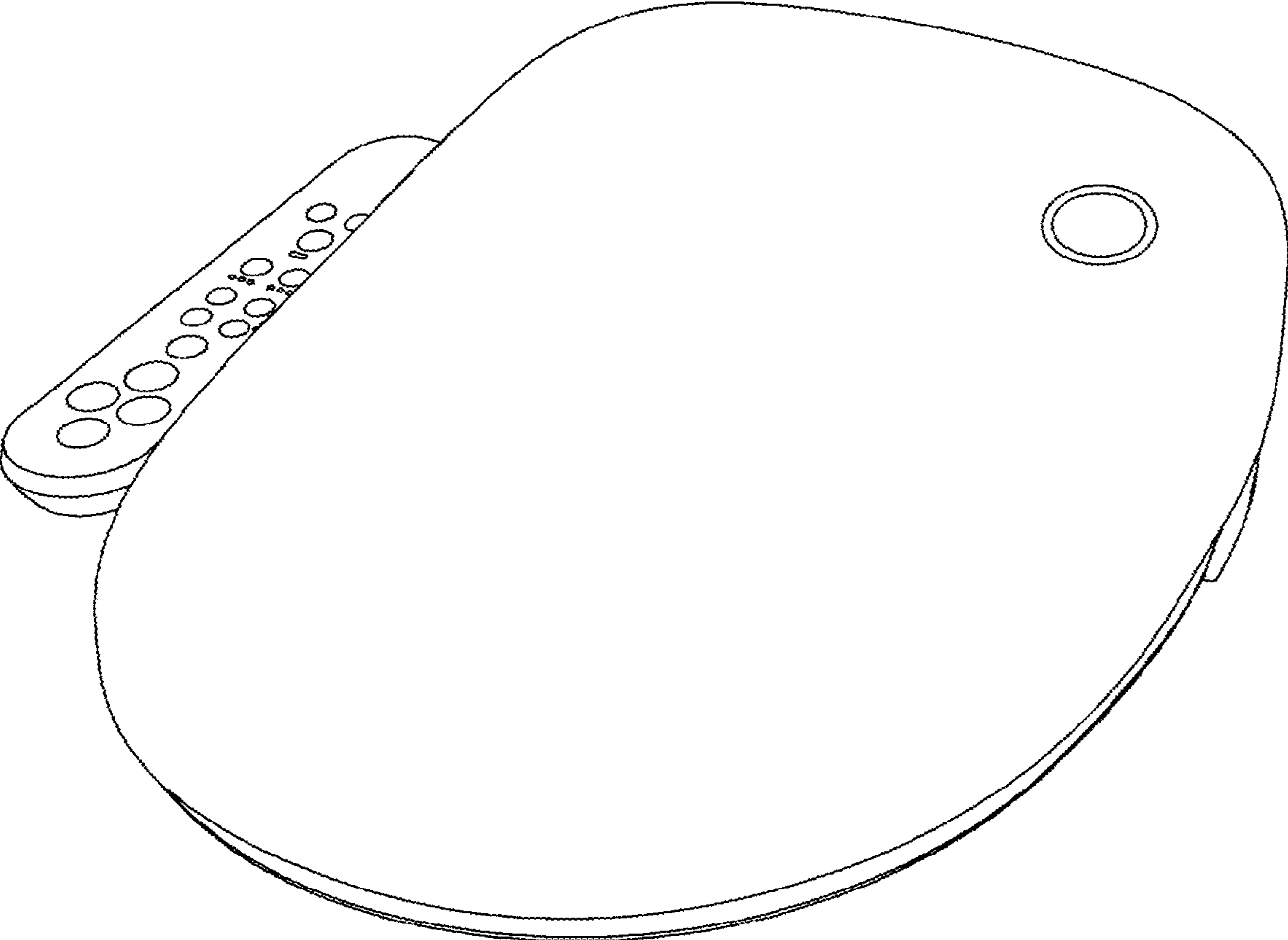


FIG. 1

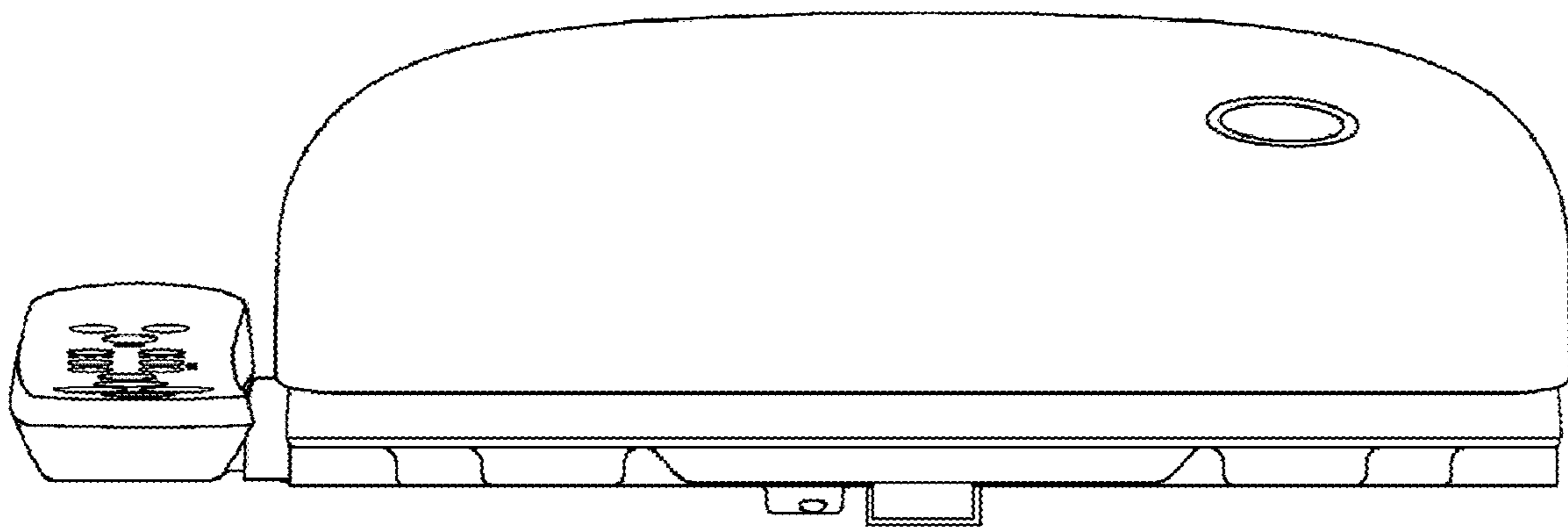


FIG. 2

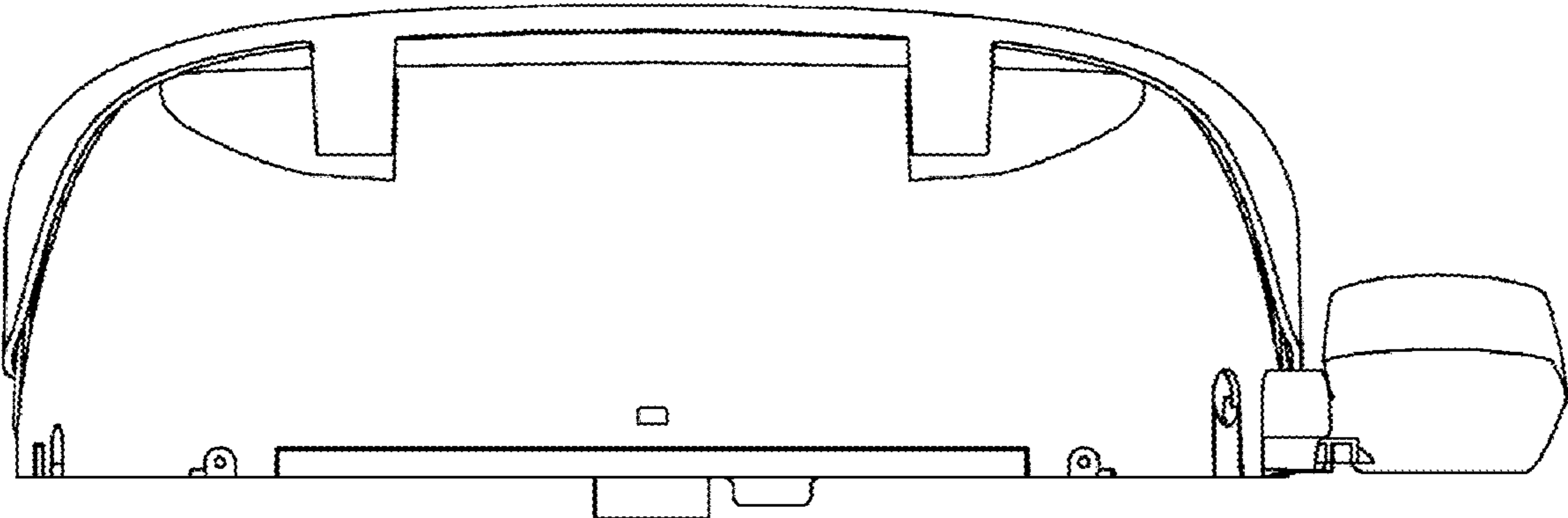


FIG. 3

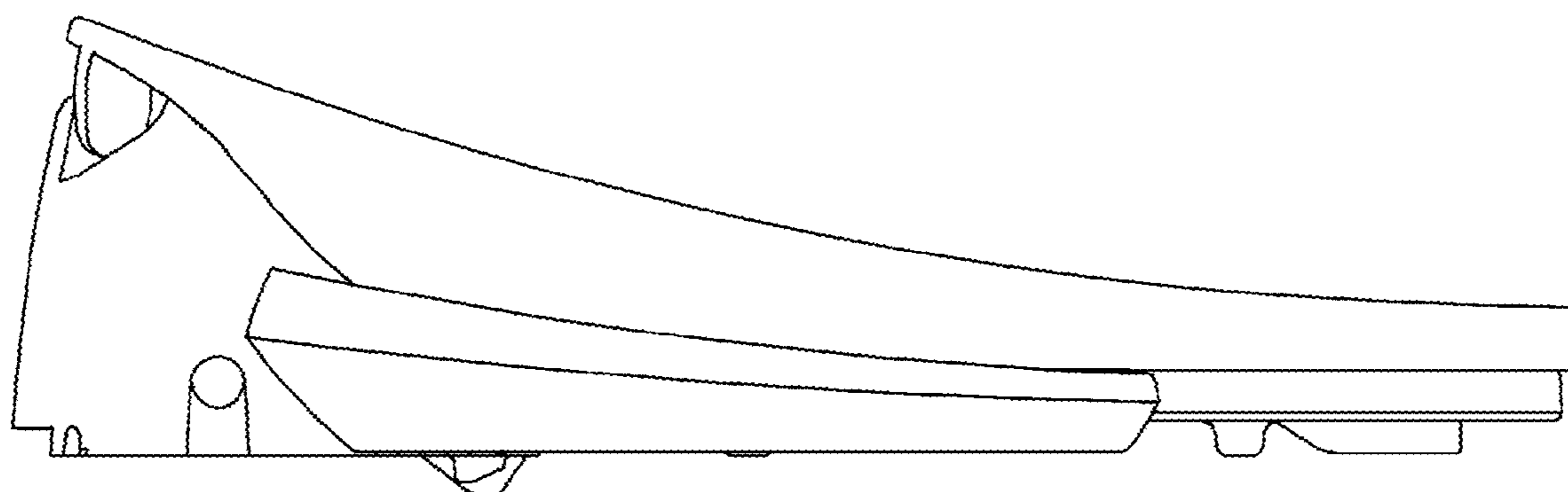


FIG. 4

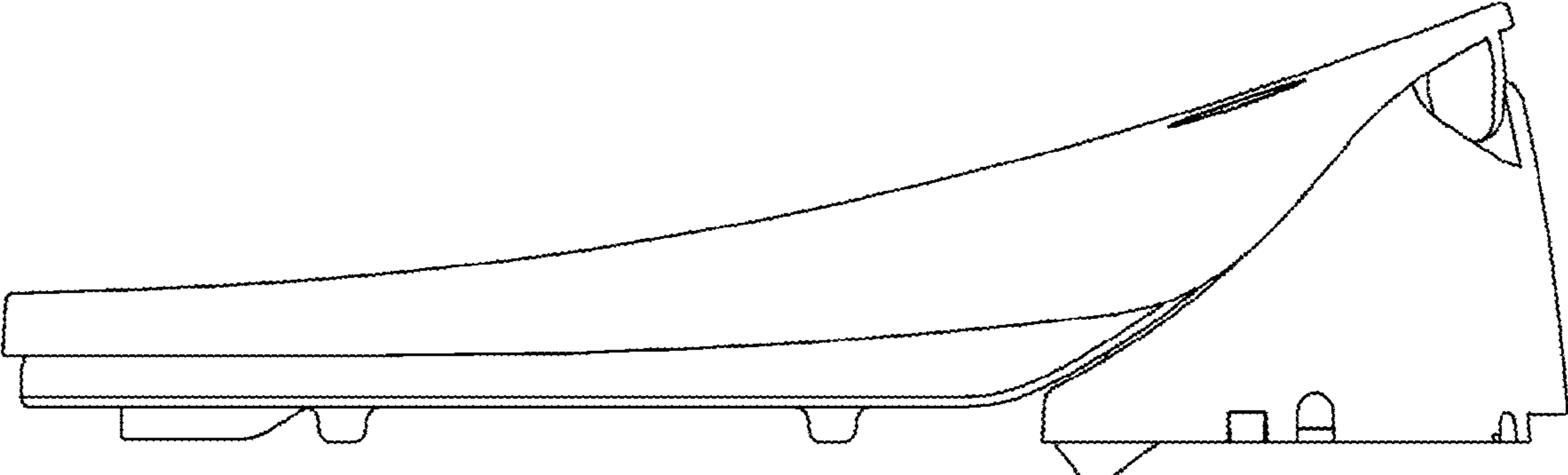


FIG. 5

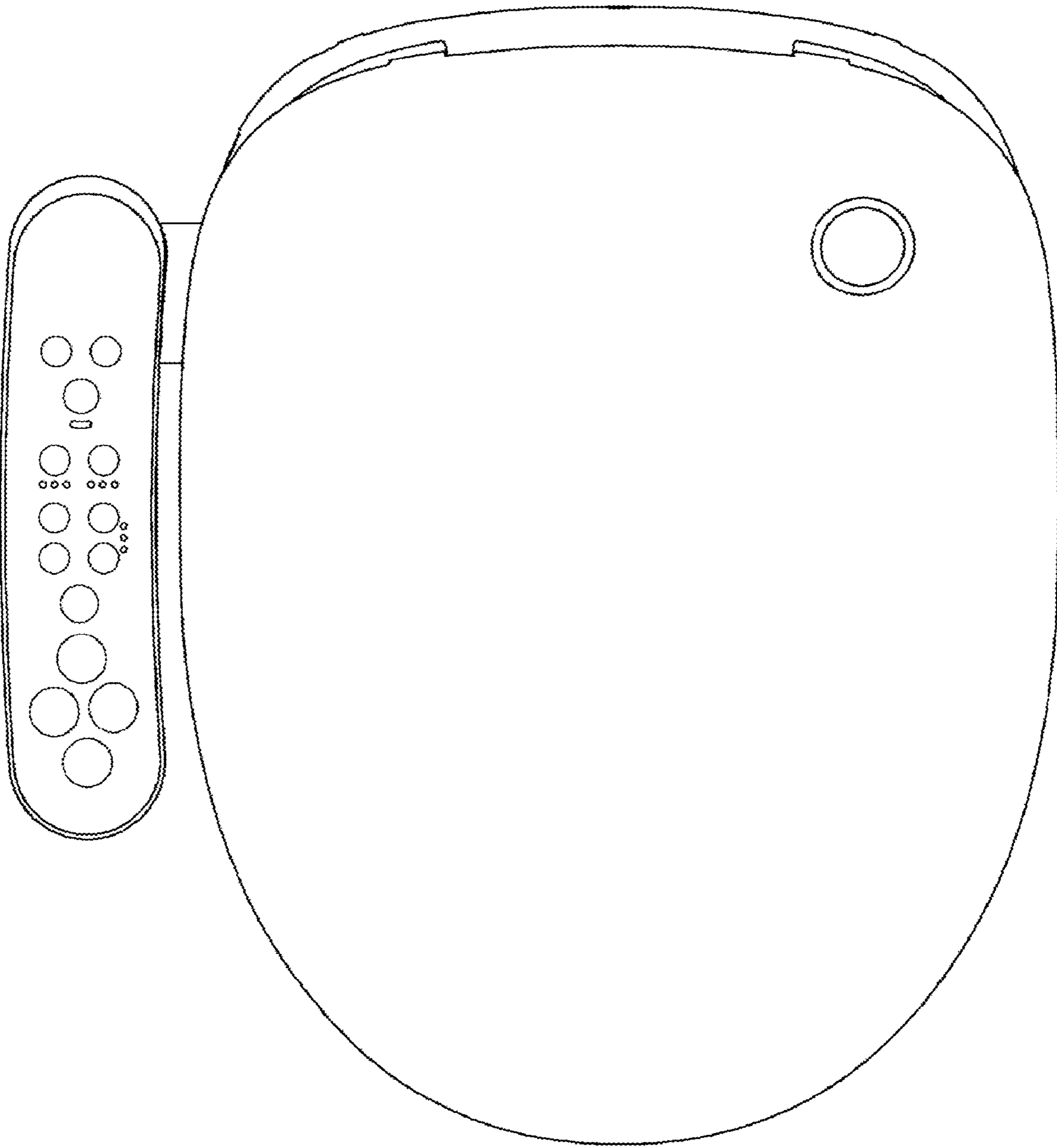


FIG. 6