



US00D659228S

(12) **United States Design Patent**  
**Vanderheyden et al.**

(10) **Patent No.:** **US D659,228 S**

(45) **Date of Patent:** **\*\* May 8, 2012**

(54) **LAVATORY**

(75) Inventors: **Jacob P. Vanderheyden**, Sheboygan, WI (US); **Jacob Lussion**, Clayton, MO (US); **Nicholas Paterson**, Whitefish Bay, WI (US)

(73) Assignee: **Kohler Co.**, Kohler, WI (US)

(\*\*) Term: **14 Years**

(21) Appl. No.: **29/385,778**

(22) Filed: **Feb. 18, 2011**

(51) **LOC (9) Cl.** ..... **23-02**

(52) **U.S. Cl.** ..... **D23/293.1**

(58) **Field of Classification Search** ..... D23/284,  
D23/293.1, 308; 4/619

See application file for complete search history.

(56) **References Cited**

**U.S. PATENT DOCUMENTS**

D100,205 S *	6/1936	Coordes	.....	D23/286
D139,483 S *	11/1944	Trombley	.....	D23/293.1
D507,334 S *	7/2005	Ferrer Beltran	.....	D23/293.1
D588,245 S *	3/2009	Kohler et al.	.....	D23/293.1

\* cited by examiner

*Primary Examiner* — Robert Delehanty

(74) *Attorney, Agent, or Firm* — Foley & Lardner LLP

(57) **CLAIM**

We claim the ornamental design for a lavatory, as shown and described.

**DESCRIPTION**

FIG. 1 is a top perspective view of an embodiment of the claimed design;

FIG. 2 is a top plan view of the claimed design of FIG. 1;

FIG. 3 is a bottom plan view of the claimed design of FIG. 1;

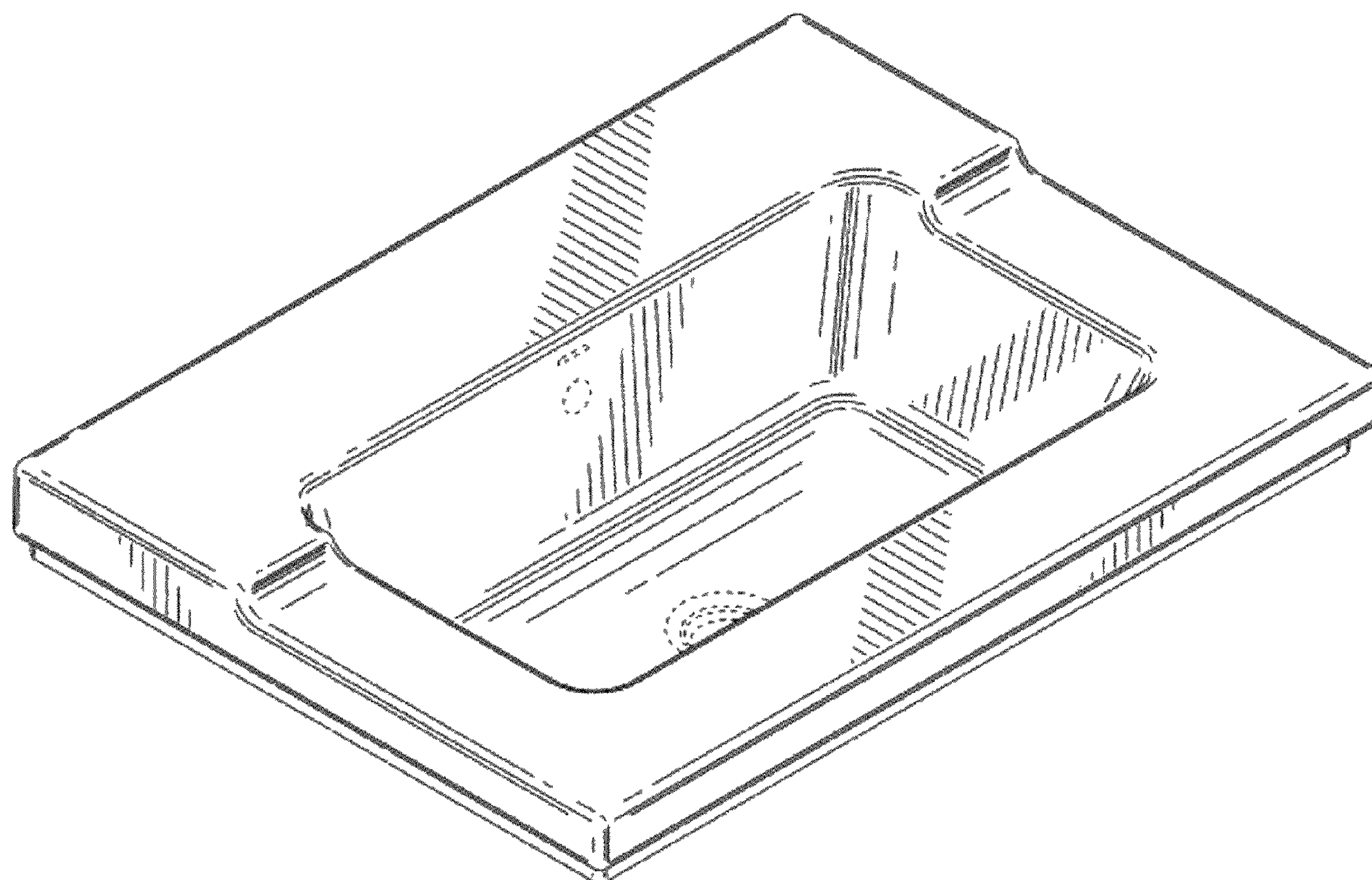
FIG. 4 is a front elevation view of the claimed design of FIG. 1;

FIG. 5 is a rear elevation view of the claimed design of FIG. 1; and,

FIG. 6 is a right-side elevation view of the claimed design of FIG. 1.

The ornamental design which is claimed is shown in solid lines in the drawings. The broken lines in the drawings are for illustrative purposes only and form no part of the claimed design.

**1 Claim, 4 Drawing Sheets**



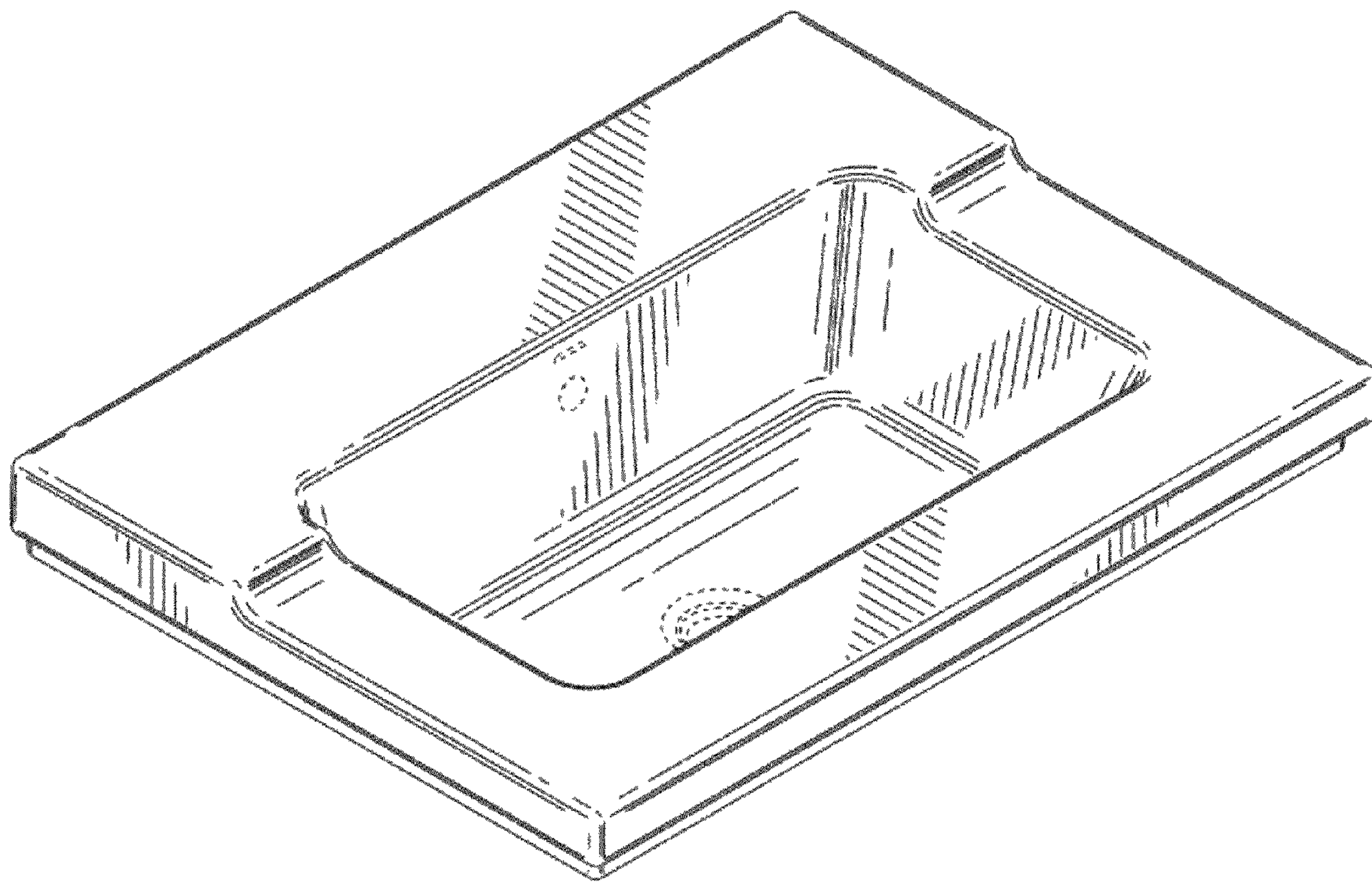


FIG. 1



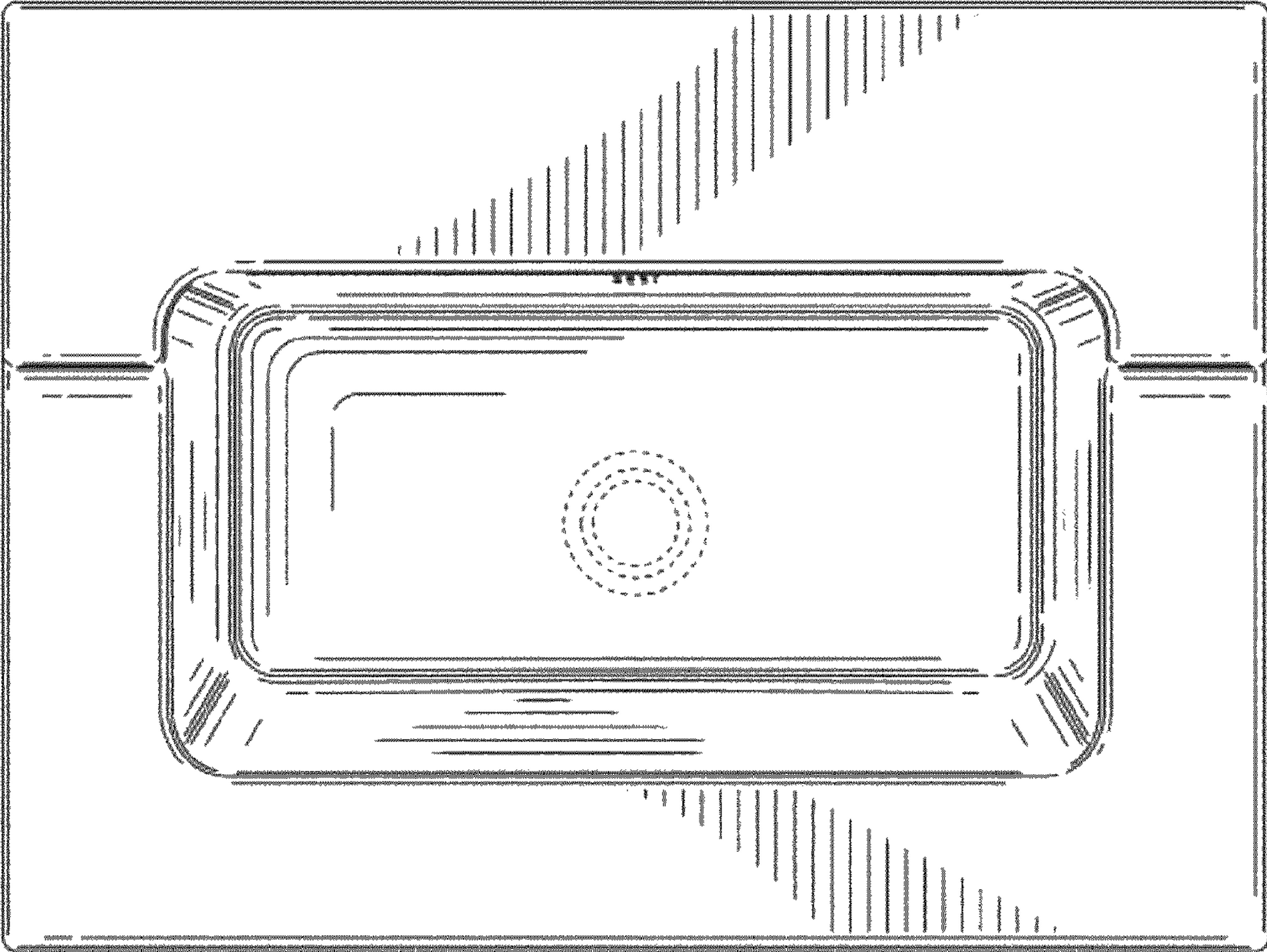


FIG. 2

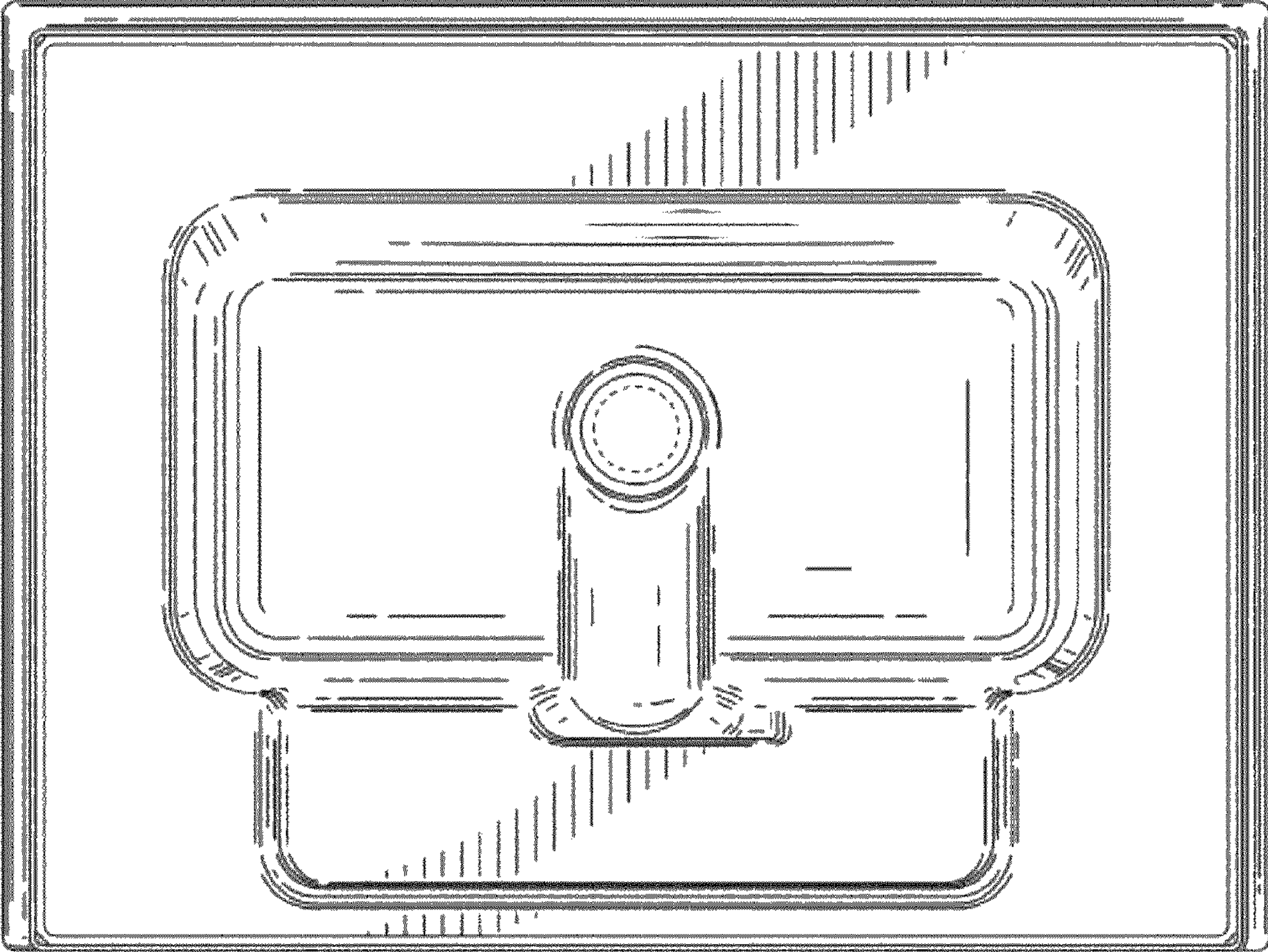


FIG. 3

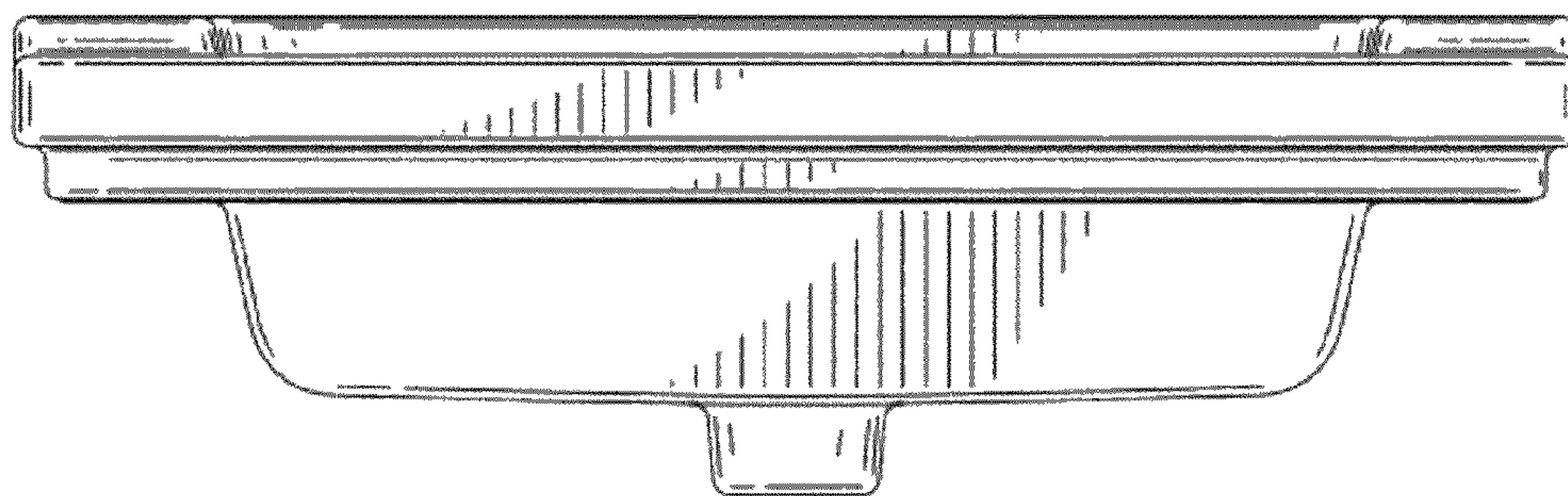


FIG. 4

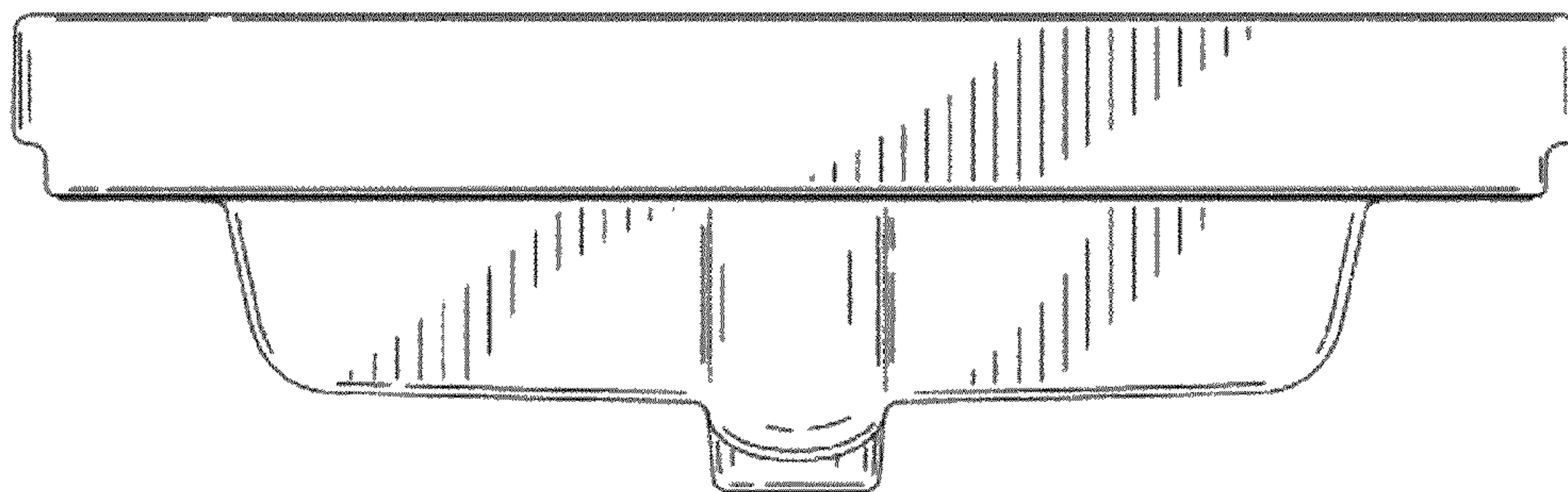
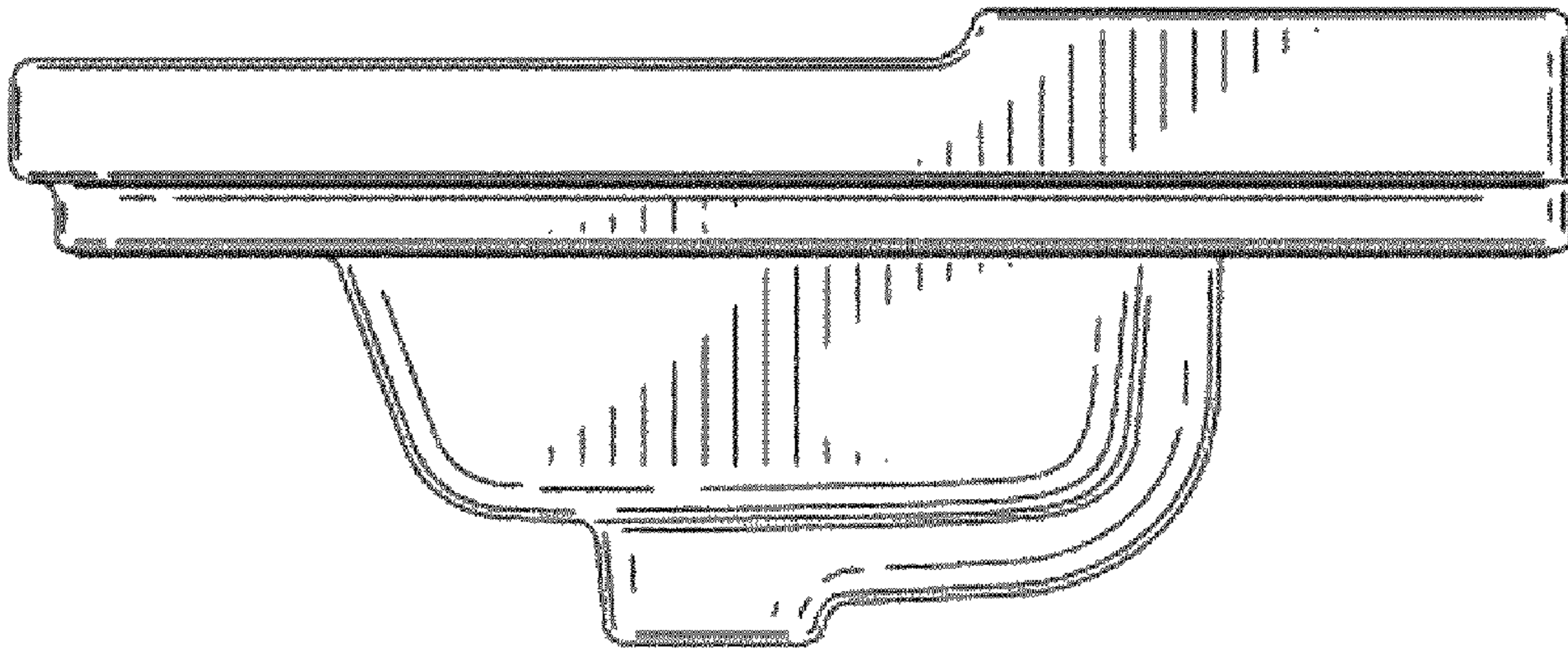


FIG. 5





**FIG. 6**