



US00D659227S

(12) **United States Design Patent**  
**Thomas**

(10) **Patent No.:** **US D659,227 S**  
(45) **Date of Patent:** **\*\* May 8, 2012**

(54) **PEDESTAL SINK**

D543,262 S \* 5/2007 Dolan ..... D23/292  
D601,676 S \* 10/2009 Soulier ..... D23/292

(75) Inventor: **Carter J. Thomas**, Branchburg, NJ (US)

\* cited by examiner

(73) Assignee: **AS IP Holdco, L.L.C.**, Piscataway, NJ (US)

*Primary Examiner* — Robert Delehanty  
(74) *Attorney, Agent, or Firm* — Flaster/Greenberg PC

(\*\*) Term: **14 Years**

(57) **CLAIM**

The ornamental design for a pedestal sink, as shown and described.

(21) Appl. No.: **29/358,672**

**DESCRIPTION**

(22) Filed: **Mar. 30, 2010**

(51) **LOC (9) Cl.** ..... **23-02**

(52) **U.S. Cl.** ..... **D23/292**

(58) **Field of Classification Search** ..... D23/284,  
D23/292, 308, 293.1; 4/619, 646  
See application file for complete search history.

FIG. 1 is a front perspective view of a pedestal sink;  
FIG. 2 is a front view of a detail of the pedestal in the pedestal sink of FIG. 1;  
FIG. 3 is a right side view of a detail of the pedestal in the pedestal sink of FIG. 1;  
FIG. 4 is a left side view of a detail of the pedestal in the pedestal sink of FIG. 1; and,  
FIG. 5 is a perspective view of a detail of the pedestal in the pedestal sink of FIG. 1.

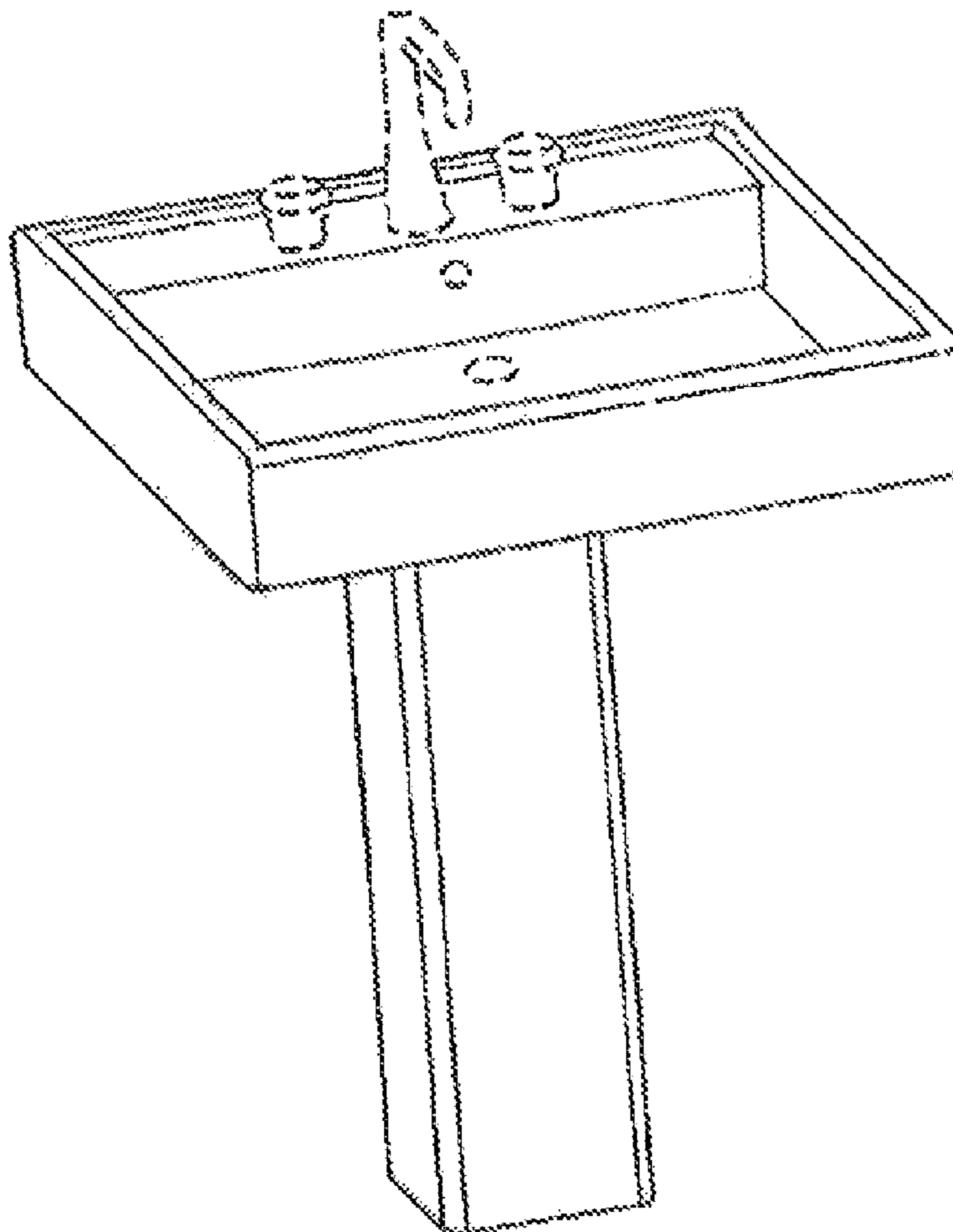
The broken lines shown in the Figures form no part of the claimed design.

(56) **References Cited**

U.S. PATENT DOCUMENTS

D428,476 S \* 7/2000 Abolafia ..... D23/284  
D455,200 S \* 4/2002 Marshall ..... D23/284  
D495,792 S \* 9/2004 Sutopo ..... D23/293.1  
D542,388 S \* 5/2007 Miyamoto ..... D23/292

**1 Claim, 2 Drawing Sheets**



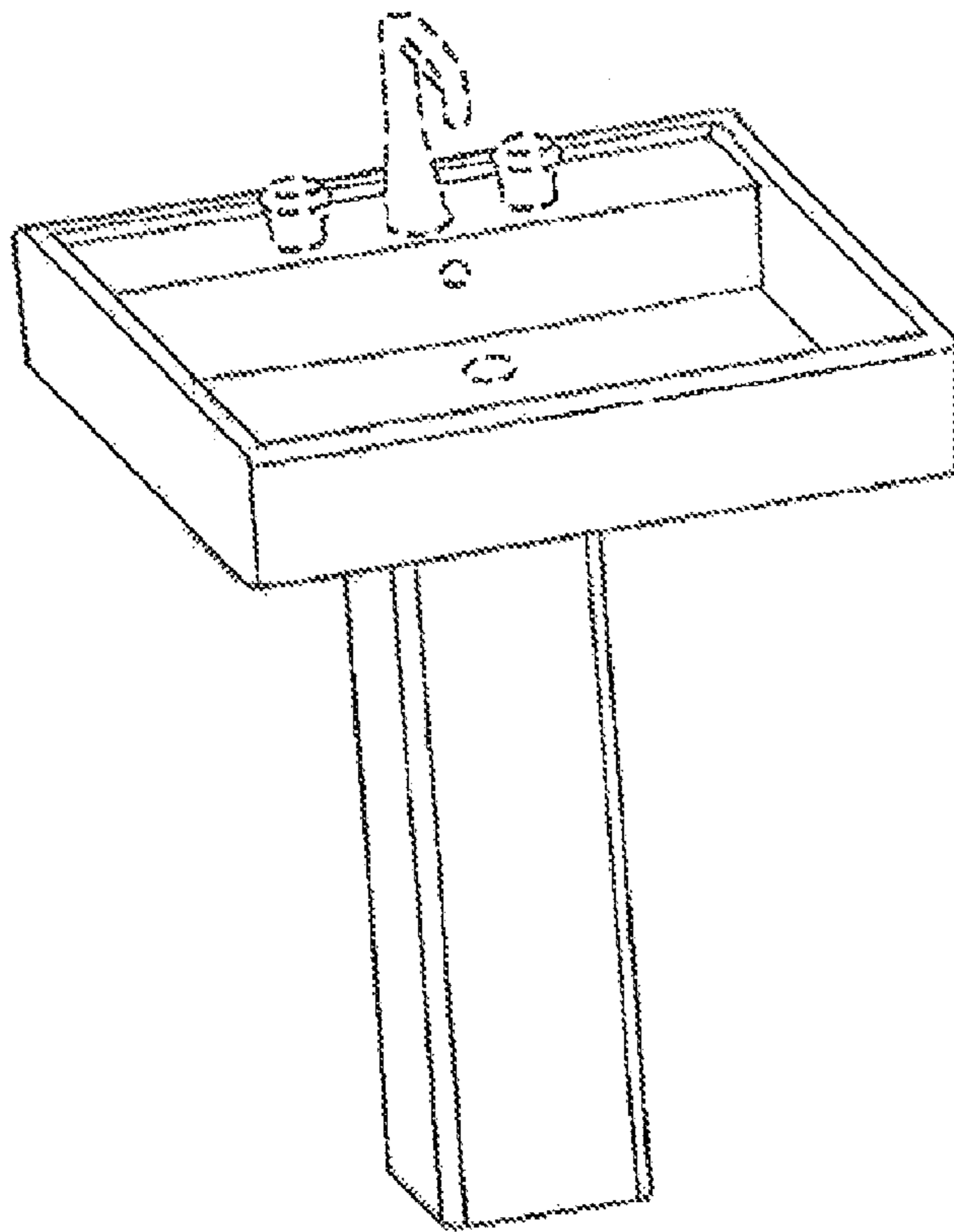


Figure 1

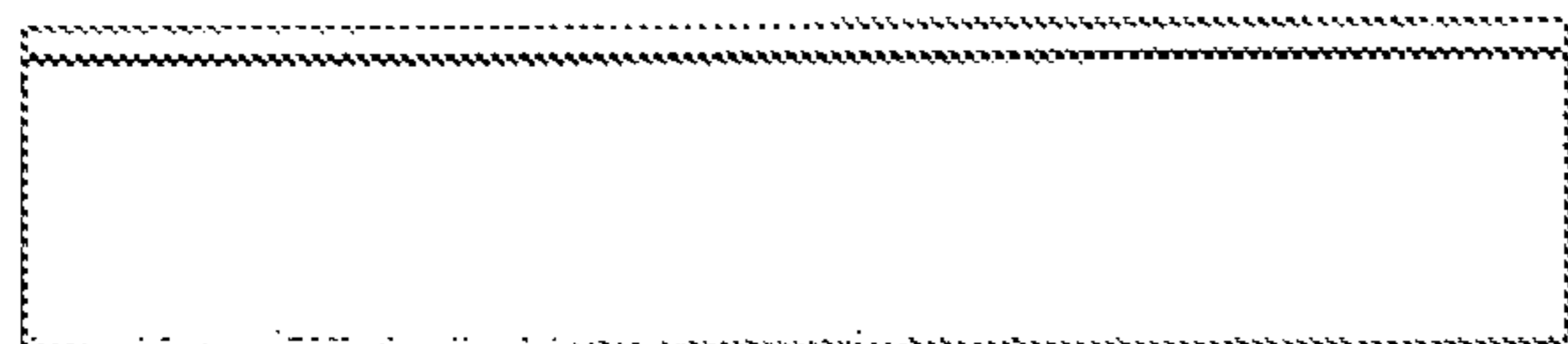


FIG 4



FIG 3



FIG 2

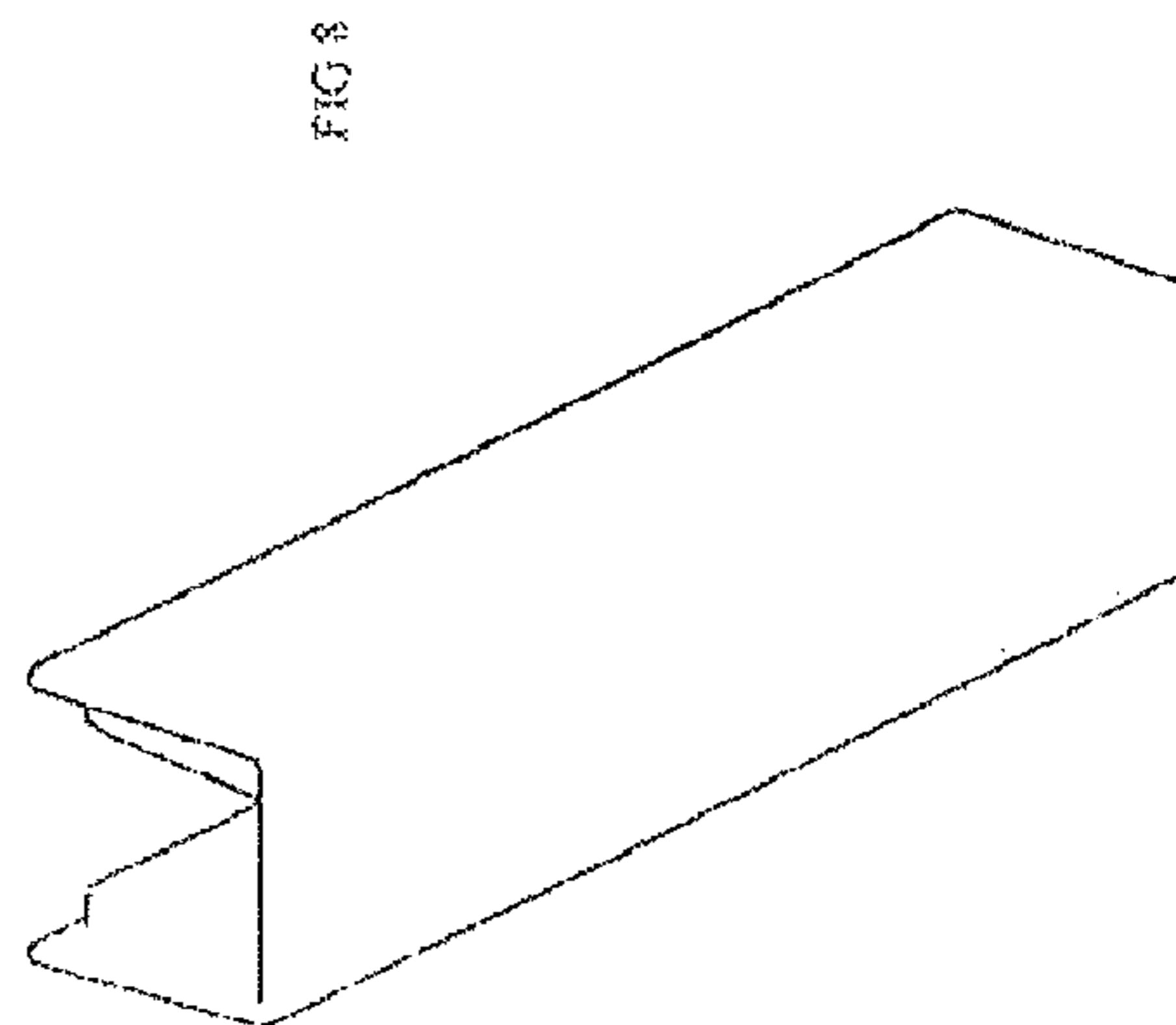


FIG 8