



US00D659226S

(12) **United States Design Patent**
Weber

(10) **Patent No.:** **US D659,226 S**

(45) **Date of Patent:** **** May 8, 2012**

(54) **RAIN GUTTER COVER**

(76) Inventor: **Kelly R. Weber**, Fostoria, OH (US)

(**) Term: **14 Years**

(21) Appl. No.: **29/404,792**

(22) Filed: **Oct. 25, 2011**

(51) **LOC (9) Cl.** **23-01**

(52) **U.S. Cl.** **D23/267**

(58) **Field of Classification Search** D23/267;
52/11-12, 73.21, 302.3; 248/48.1-48.2
See application file for complete search history.

(56) **References Cited**

U.S. PATENT DOCUMENTS

4,745,710	A *	5/1988	Davis	52/12
D404,804	S *	1/1999	Davis	D23/267
D410,530	S *	6/1999	Turner	D23/267
D470,926	S *	2/2003	Knight	D23/267
6,598,352	B2 *	7/2003	Higginbotham	52/12
6,944,992	B2 *	9/2005	Brochu	52/12
6,968,651	B2 *	11/2005	Bergeron	52/12
D523,538	S *	6/2006	Brochu	D23/267
D558,309	S *	12/2007	Gregg	D23/267
7,347,027	B2 *	3/2008	McDonald et al.	52/11
D565,706	S *	4/2008	Murray	D23/261
7,650,720	B2 *	1/2010	Ealer, Sr.	52/12
D615,632	S *	5/2010	Wootton	D23/267
D623,279	S *	9/2010	Joly et al.	D23/267
D635,225	S *	3/2011	Collins	D23/267

D638,920	S *	5/2011	Ealer, Sr.	D23/267
2004/0187394	A1 *	9/2004	Brochu	52/12
2007/0234647	A1 *	10/2007	Higginbotham	52/12
2008/0127575	A1 *	6/2008	Ealer	52/12
2008/0163561	A1 *	7/2008	Lenney et al.	52/12
2009/0019786	A1 *	1/2009	Bachman	52/12

* cited by examiner

Primary Examiner — T. Chase Nelson

Assistant Examiner — Eric Goodman

(74) *Attorney, Agent, or Firm* — QuickPatents, Inc.; Kevin Prince

(57) **CLAIM**

I claim the ornamental design for a rain gutter cover, as shown and described.

DESCRIPTION

FIG. 1 is a perspective view of a rain gutter cover, showing my new design;

FIG. 2 is a left-side elevational view thereof, the right-side elevational view being a mirror image thereof;

FIG. 3 is a top plan view thereof;

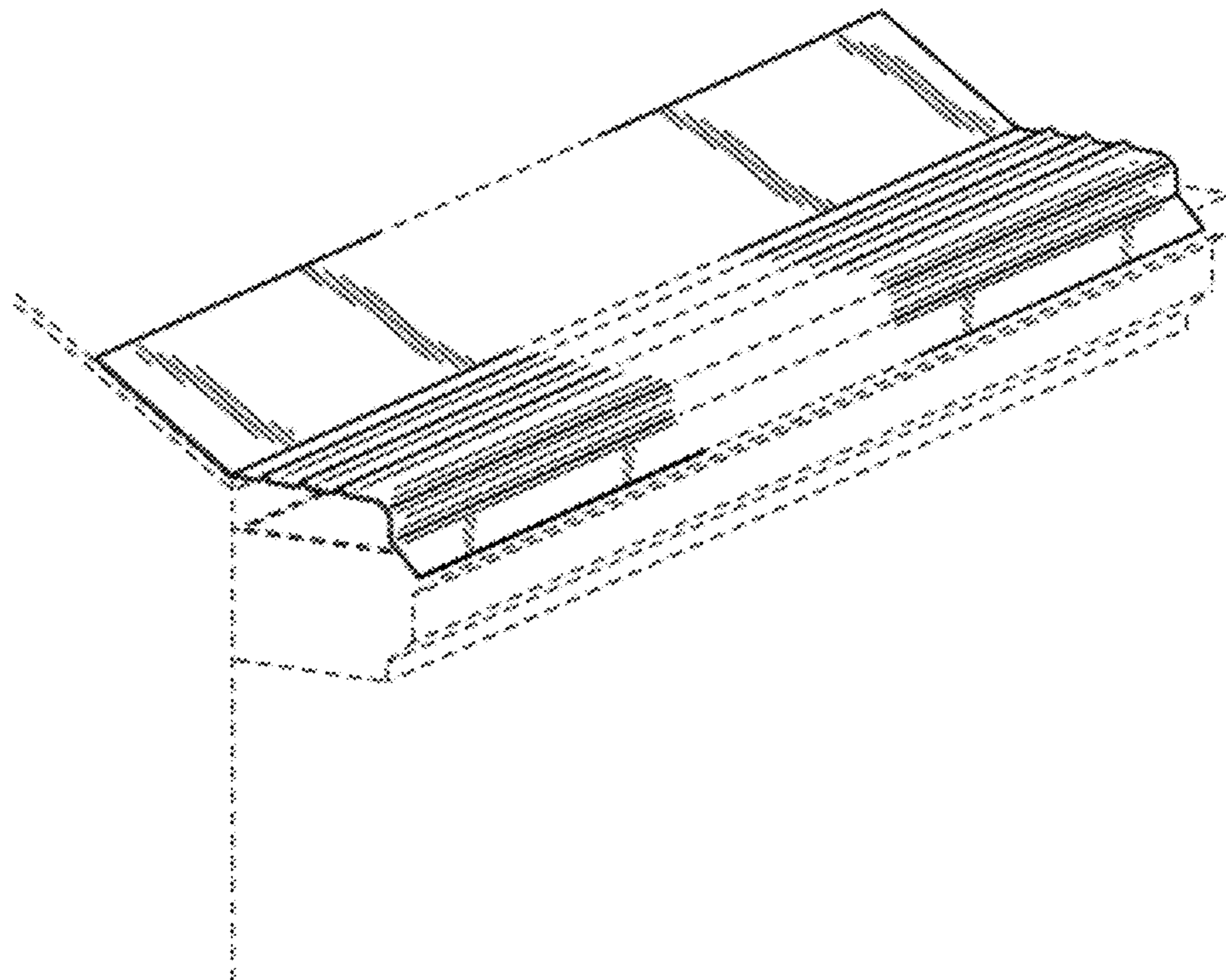
FIG. 4 is a bottom plan view thereof;

FIG. 5 is a front elevational view thereof; and,

FIG. 6 is a rear elevational view thereof.

The broken lines showing a roof and rain gutter in FIG. 1 depict environmental matter and form no part of the claimed design. The gutter cover is shown broken away in the figures to indicate that no particular length of gutter cover forms a part of the claimed design.

1 Claim, 3 Drawing Sheets



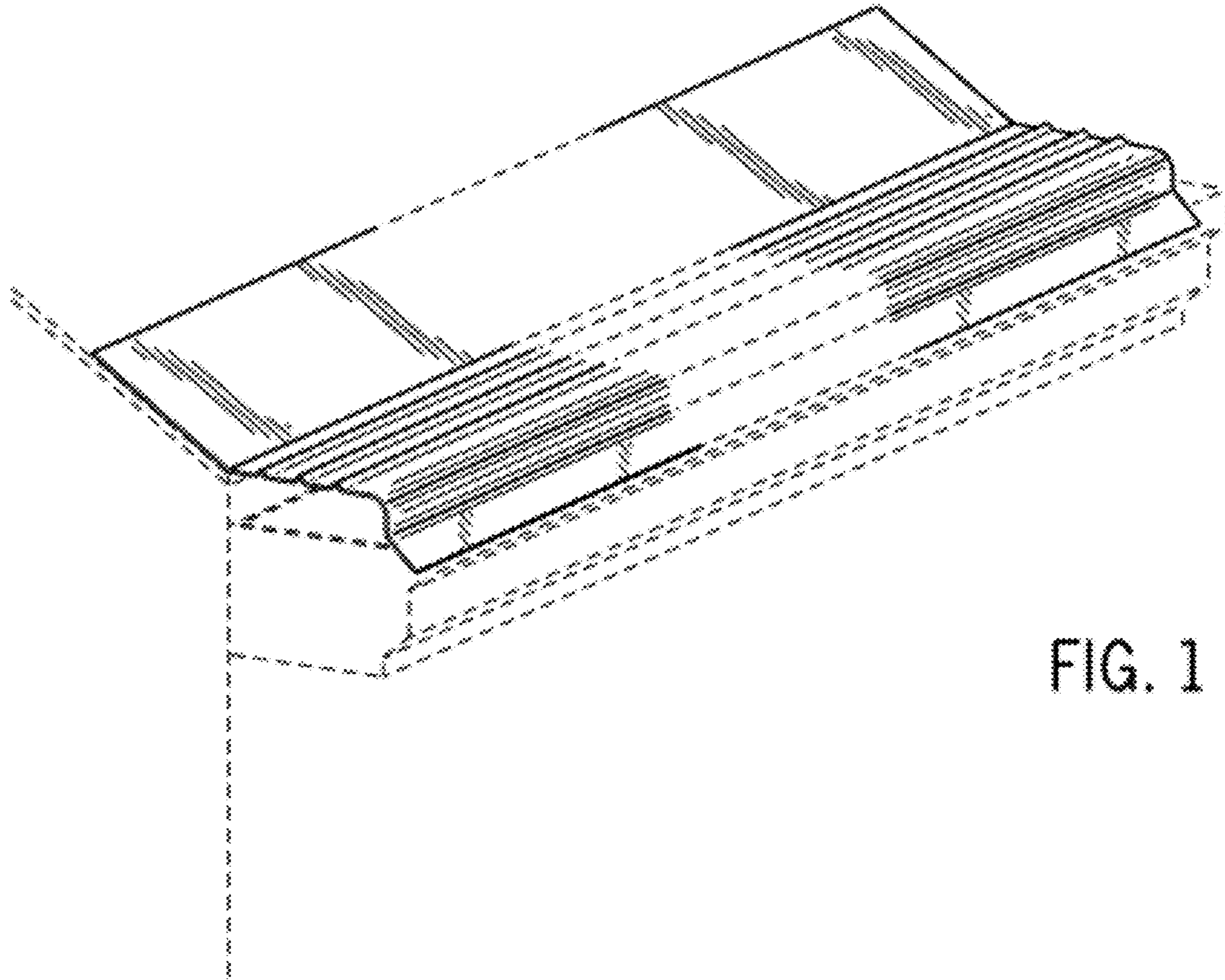


FIG. 1

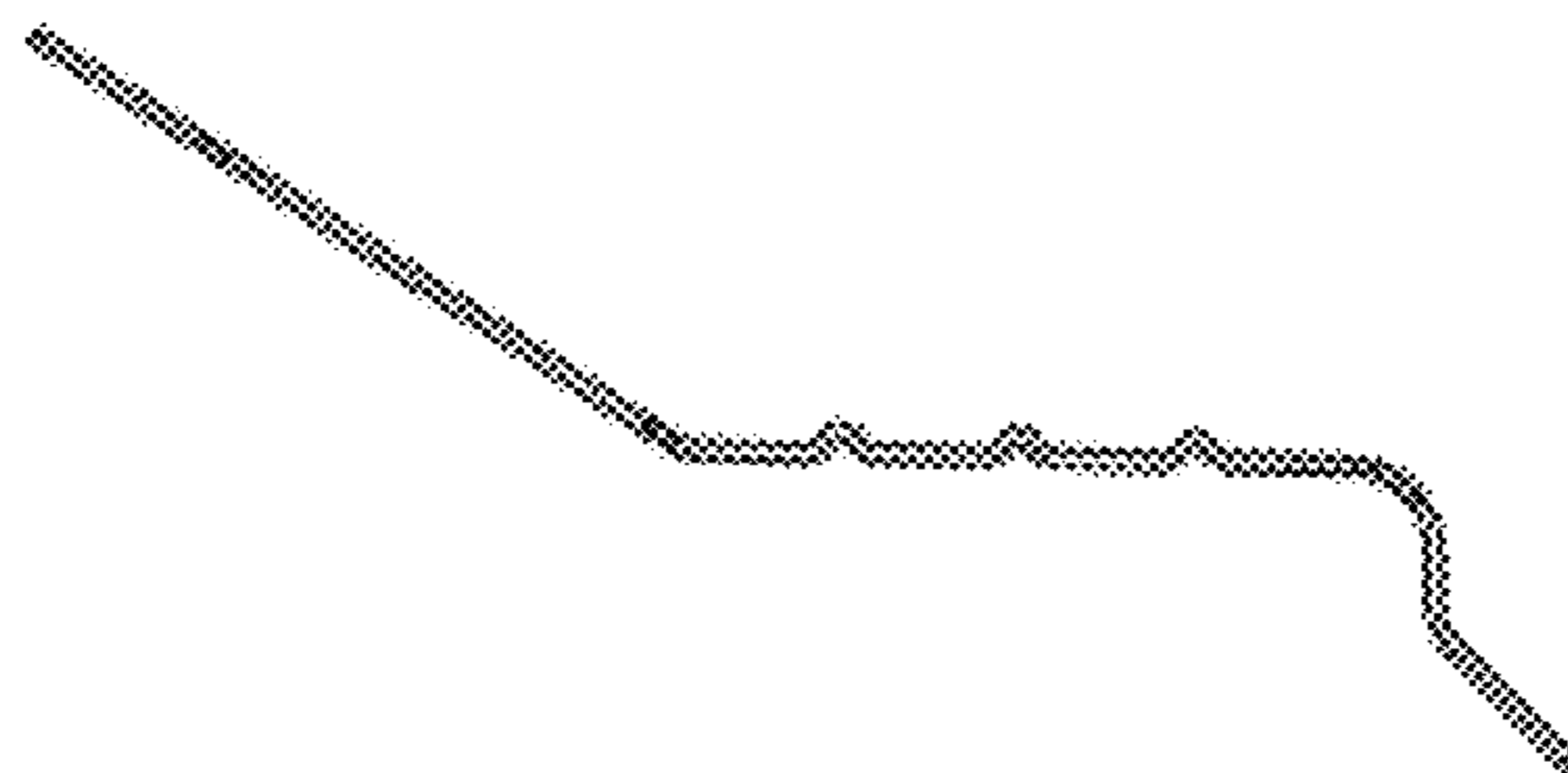


FIG. 2

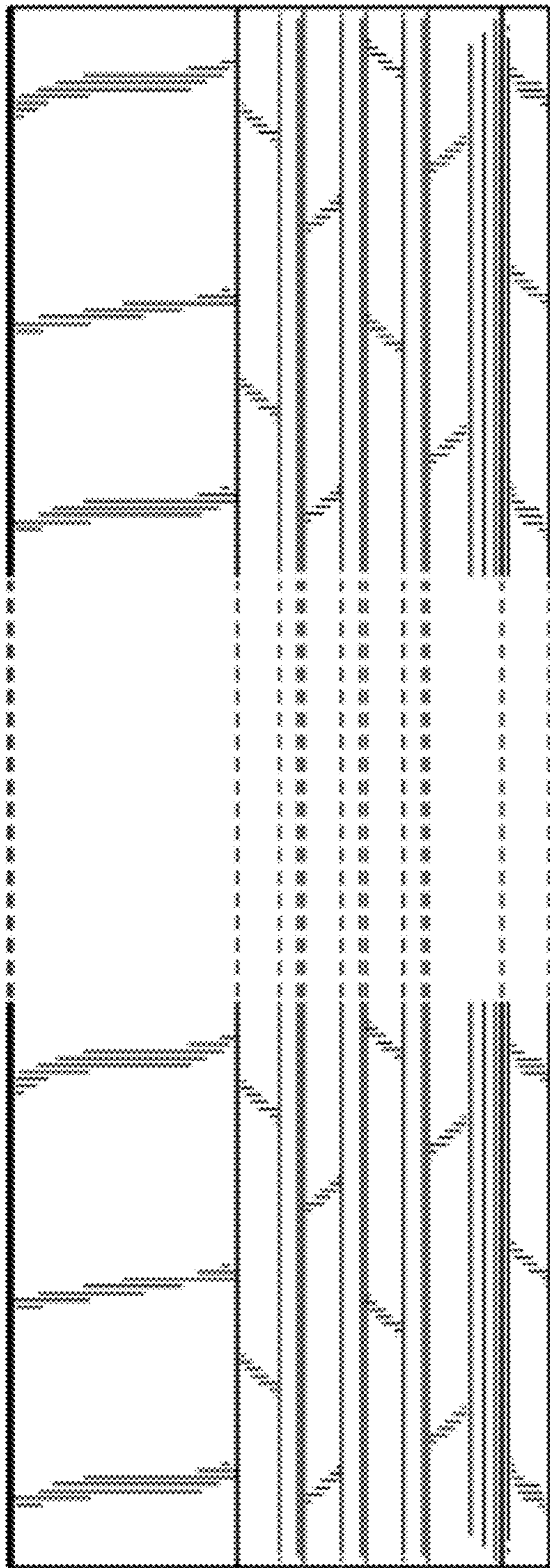


FIG. 3

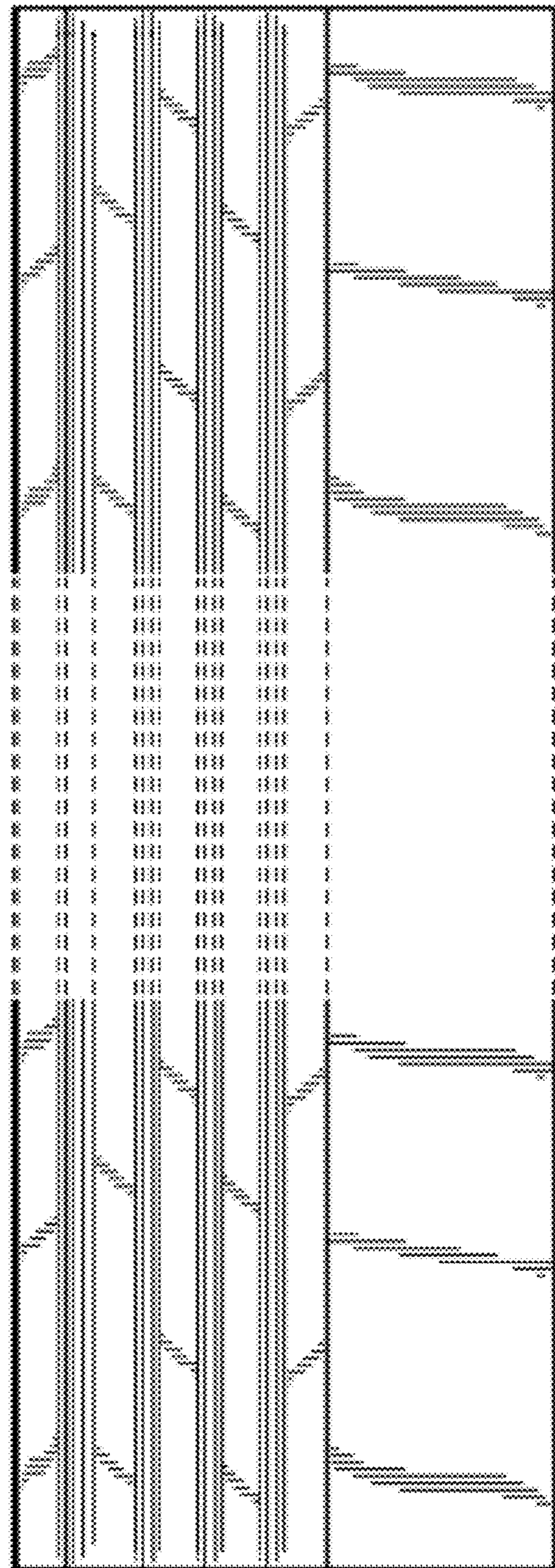


FIG. 4

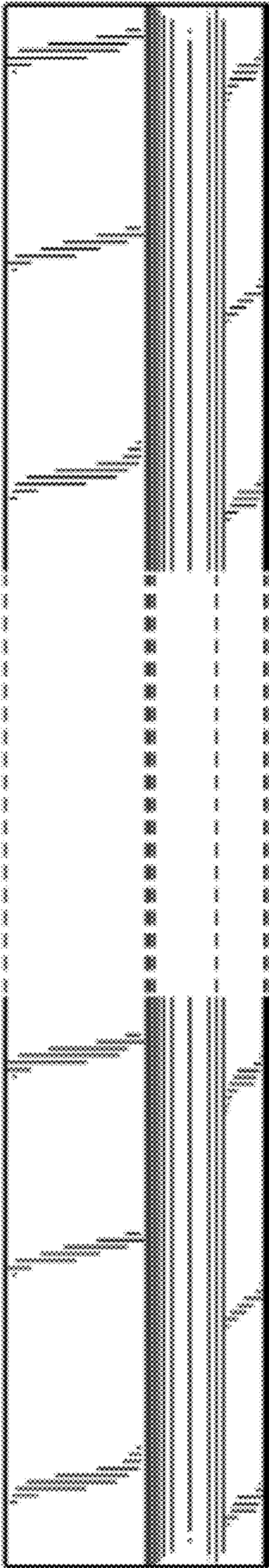


FIG. 5

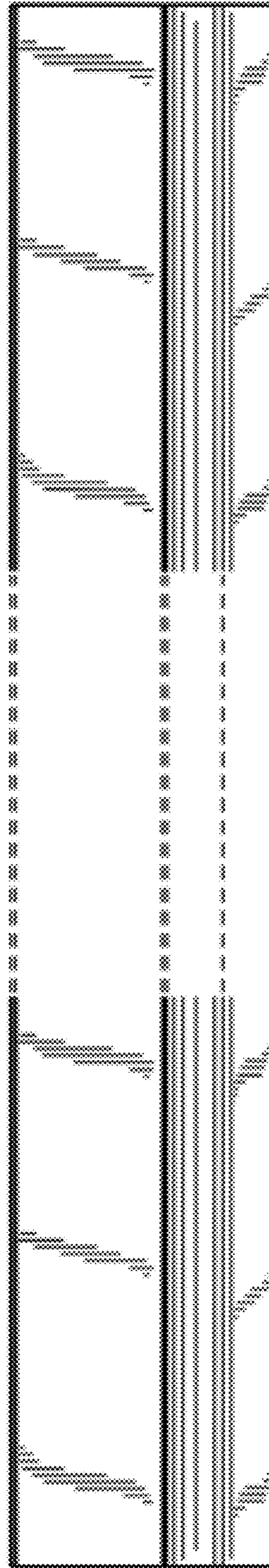


FIG. 6