



US00D659221S

(12) **United States Design Patent**
Wu et al.

(10) **Patent No.:** **US D659,221 S**

(45) **Date of Patent:** **** May 8, 2012**

(54) **ACCESSORY GUN RAIL**

(75) Inventors: **Youjin Wu**, Westland, MI (US);
Chingtang Chan, Troy, MI (US)

(73) Assignee: **Leapers, Inc.**, Livonia, MI (US)

(**) Term: **14 Years**

(21) Appl. No.: **29/386,550**

(22) Filed: **Mar. 2, 2011**

(51) **LOC (9) Cl.** **D22-01**

(52) **U.S. Cl.** **D22/108**

(58) **Field of Classification Search** D22/100,
D22/108, 109, 110, 199; 42/11, 113, 116,
42/119, 124, 125, 127, 90, 145, 128, 72,
42/106, 114, 85, 75.02, 71.01; 248/205.1,
248/201

See application file for complete search history.

(56) **References Cited**

U.S. PATENT DOCUMENTS

D573,443	S *	7/2008	Swan	D8/343
D588,672	S *	3/2009	Swan	D22/109
D607,958	S *	1/2010	Swan	D22/108
7,685,759	B2 *	3/2010	Teetzel	42/127
D613,811	S *	4/2010	Swan	D22/108
D616,520	S *	5/2010	Starnes	D22/108
D616,521	S *	5/2010	Starnes	D22/108
7,823,316	B2 *	11/2010	Storch et al.	42/90
2006/0207156	A1 *	9/2006	Larue	42/127

* cited by examiner

Primary Examiner — Michael Pratt

(74) *Attorney, Agent, or Firm* — Honigman Miller Schwartz
and Cohn LLP

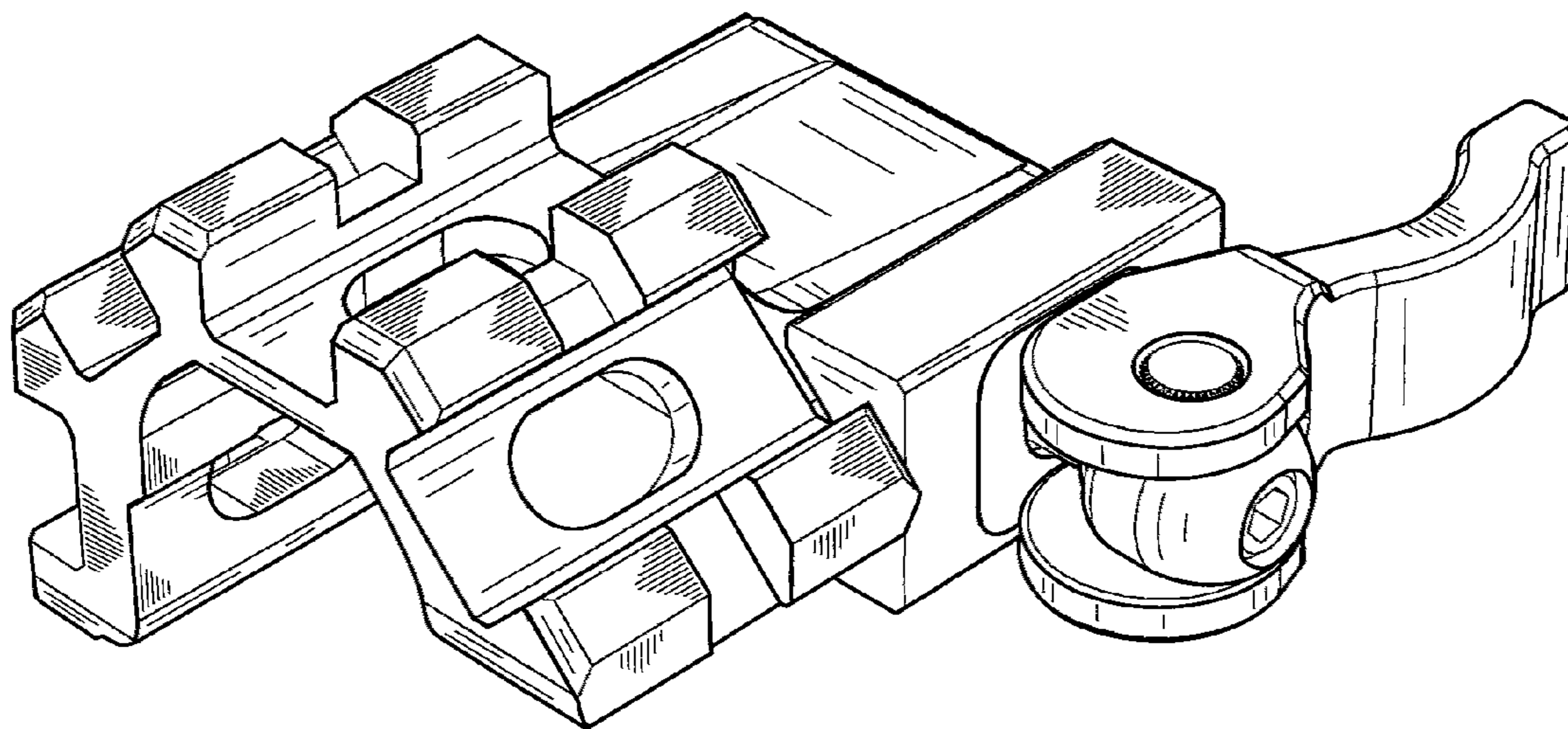
(57) **CLAIM**

The ornamental design for an accessory gun rail, as shown
and described.

DESCRIPTION

FIG. 1 is a front/right side isometric view of a first embodiment of the gun rail of the present invention;
 FIG. 2 is a front elevational view of the gun rail of FIG. 1;
 FIG. 3 is a rear elevational view of the gun rail of FIG. 1;
 FIG. 4 is a right side elevational view of the gun rail of FIG. 1;
 FIG. 5 is a left side elevational view of the gun rail of FIG. 1;
 FIG. 6 is a top view of the gun rail of FIG. 1;
 FIG. 7 is a bottom view of the gun rail of FIG. 1;
 FIG. 8 is a front/right side isometric view of a second embodiment of the gun rail of the present invention;
 FIG. 9 is a front elevational view of the gun rail of FIG. 8;
 FIG. 10 is a rear elevational view of the gun rail of FIG. 8;
 FIG. 11 is a right side elevational view of the gun rail of FIG. 8;
 FIG. 12 is a left side elevational view of the gun rail of FIG. 8;
 FIG. 13 is a top plan view of the gun rail of FIG. 8; and,
 FIG. 14 is a bottom view of the gun rail of FIG. 8.

1 Claim, 14 Drawing Sheets



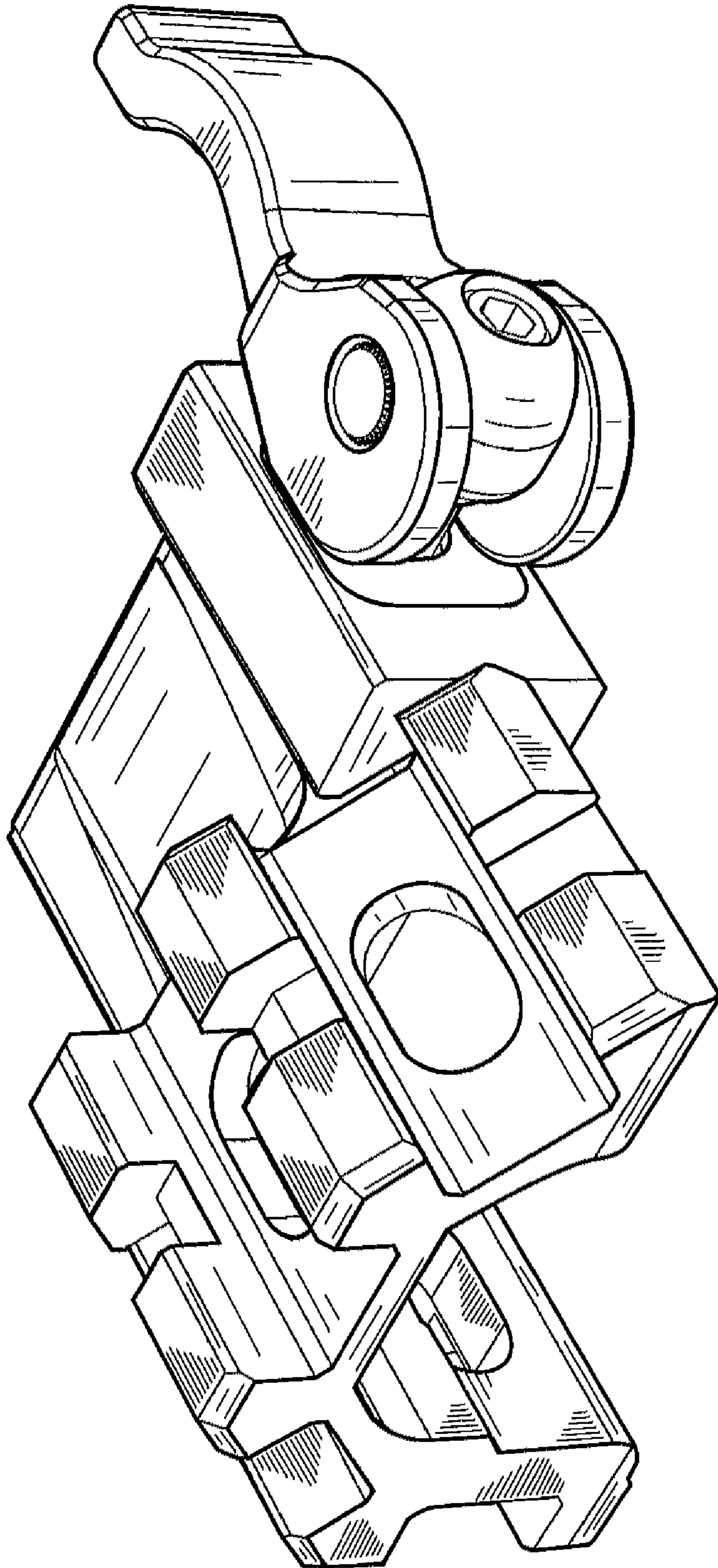


FIG. 1

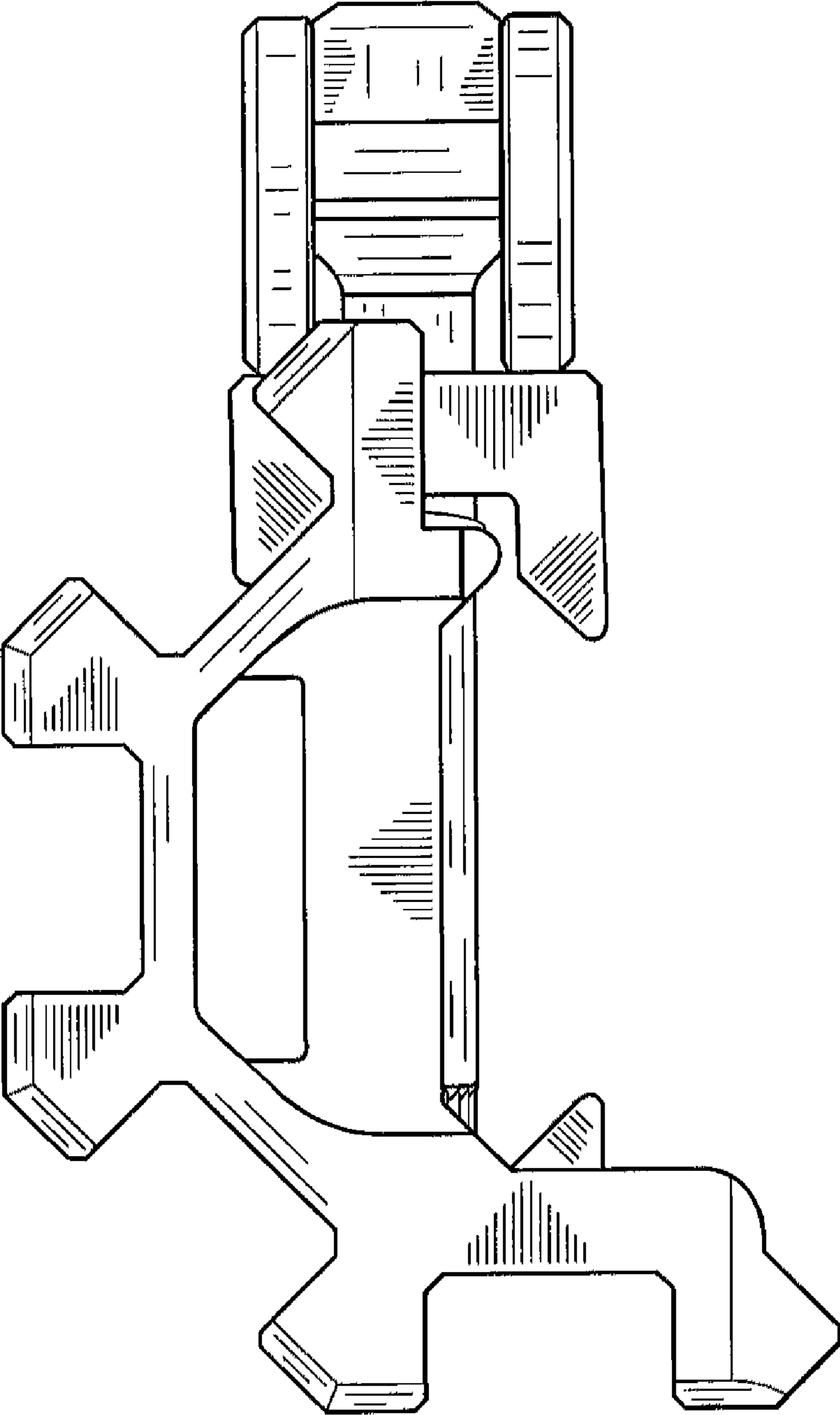


FIG. 2

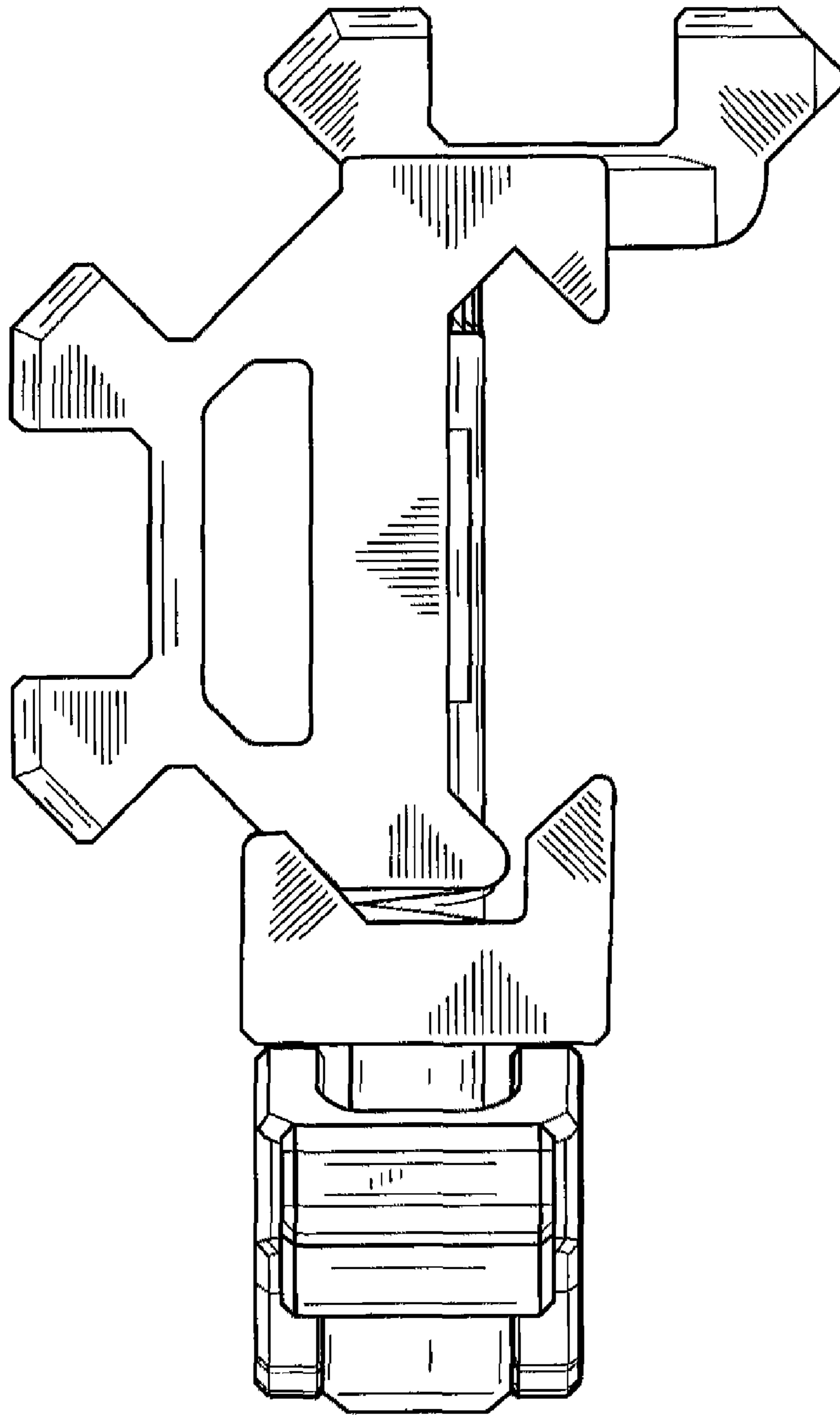


FIG. 3

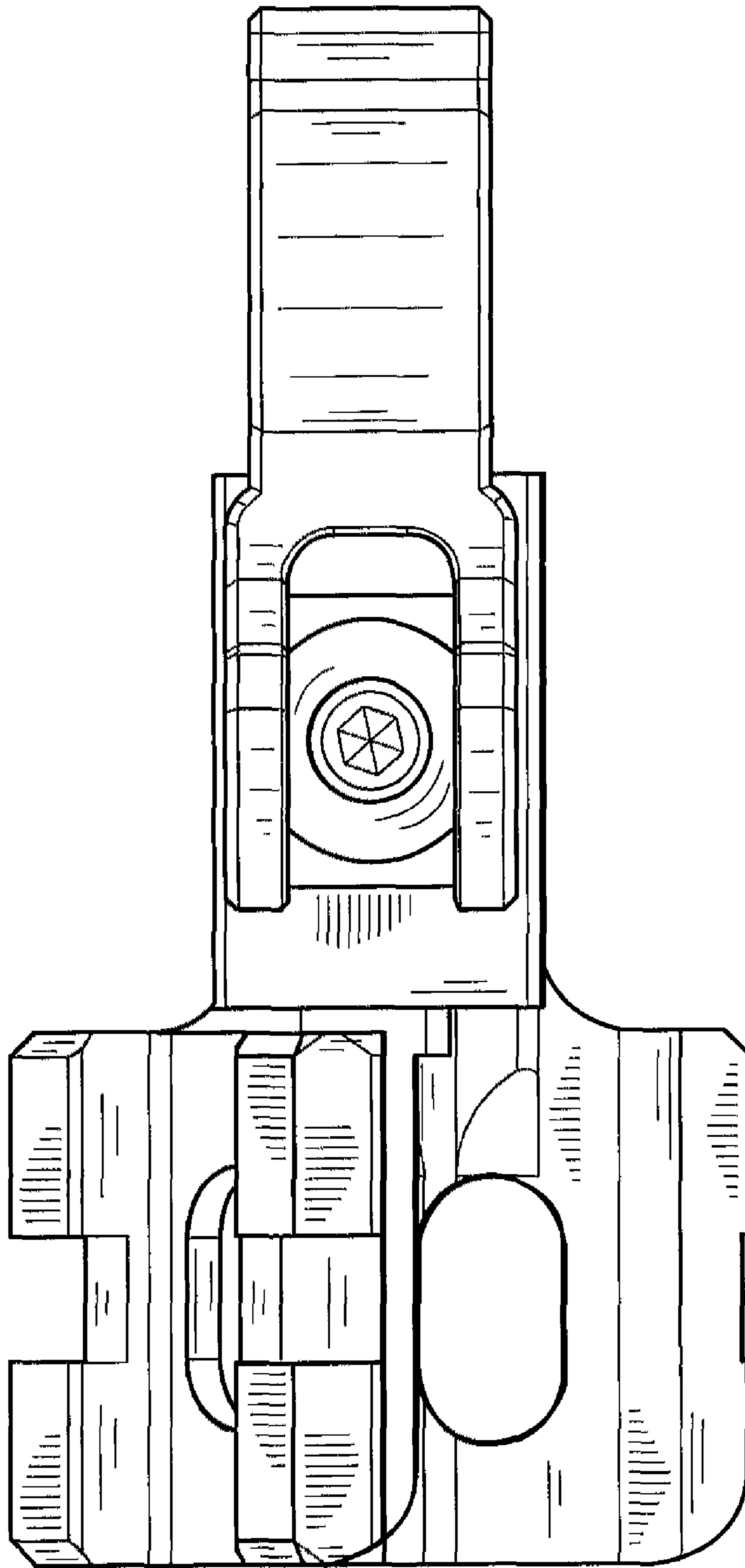


FIG. 4

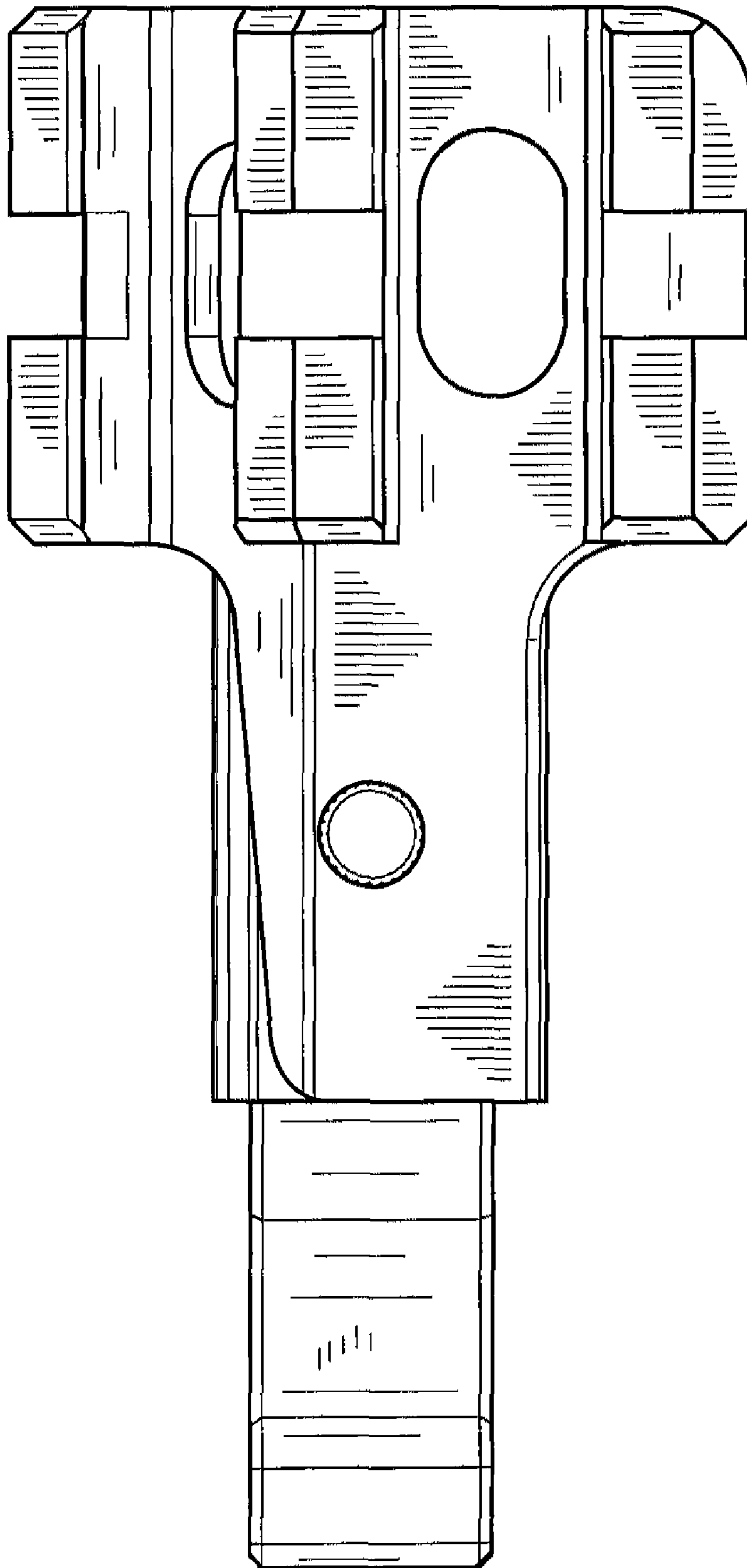


FIG. 5

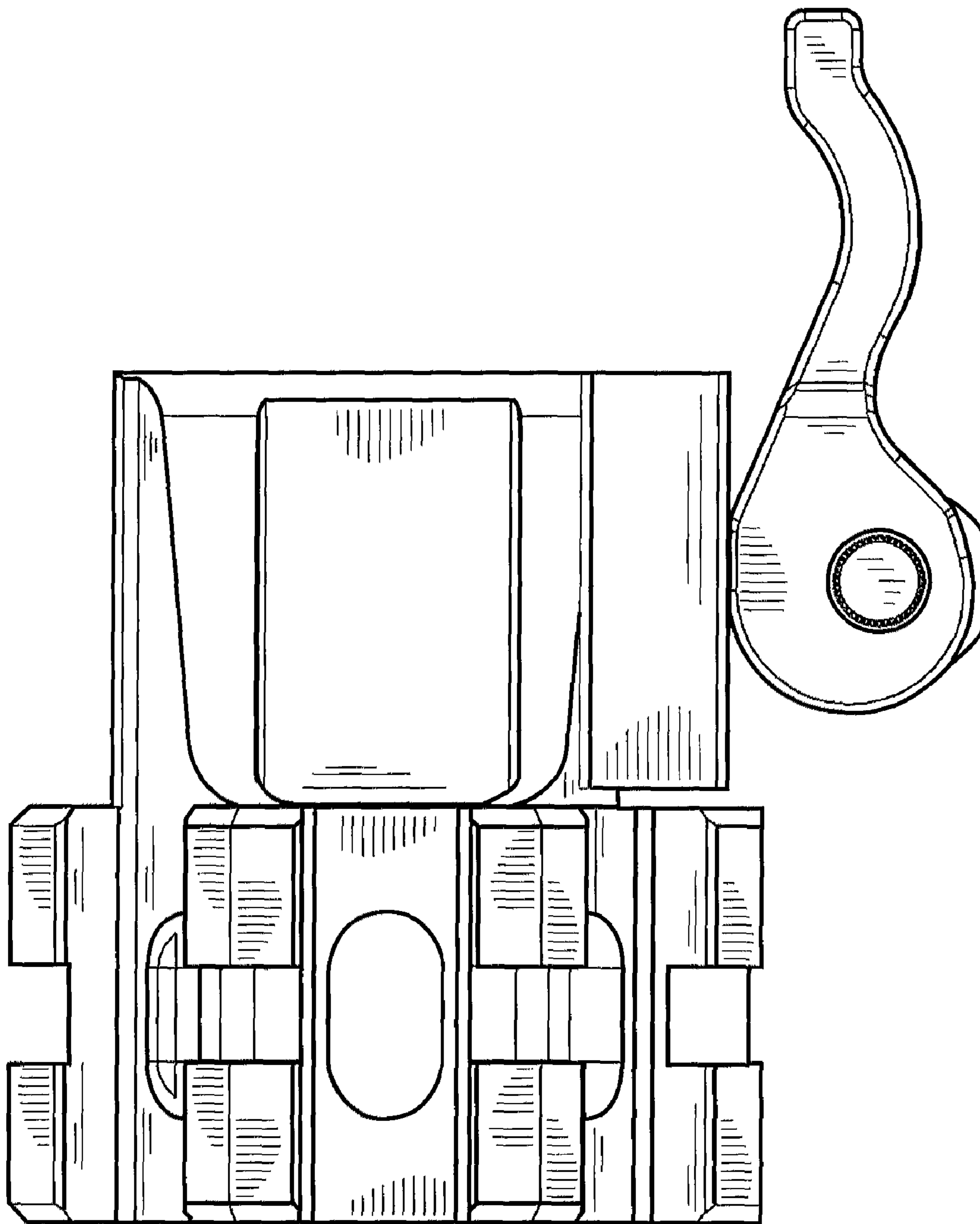


FIG. 6

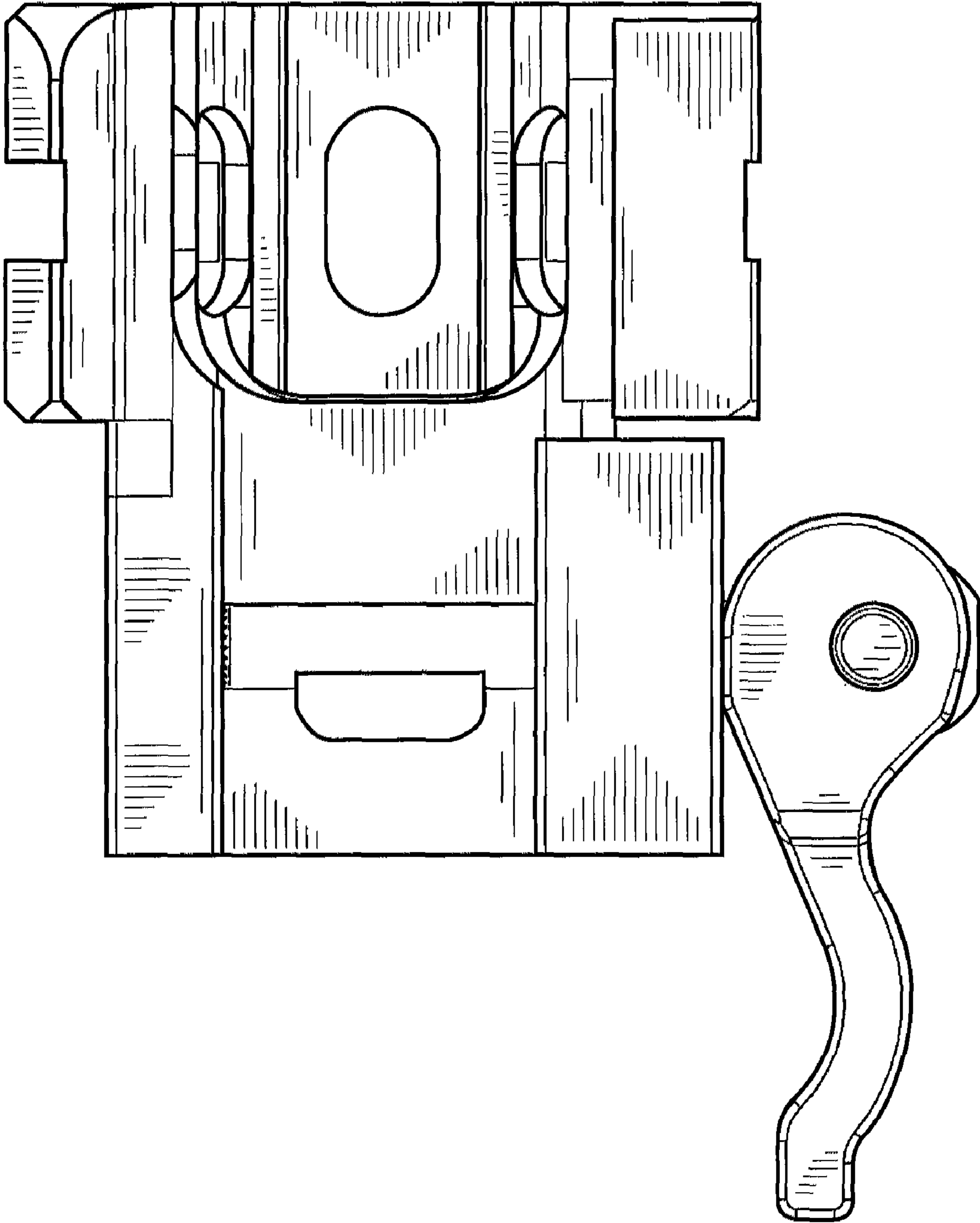


FIG. 7

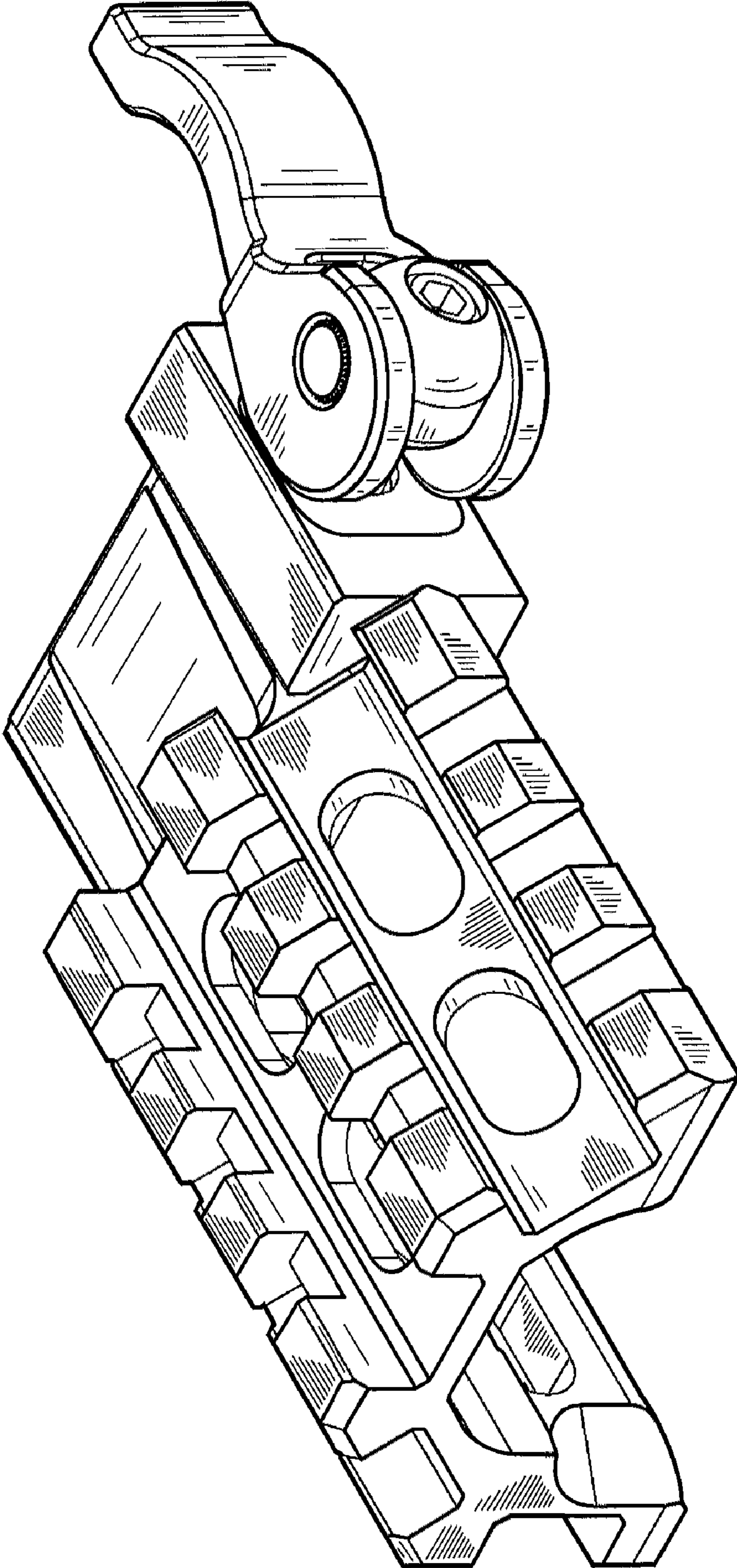


FIG. 8

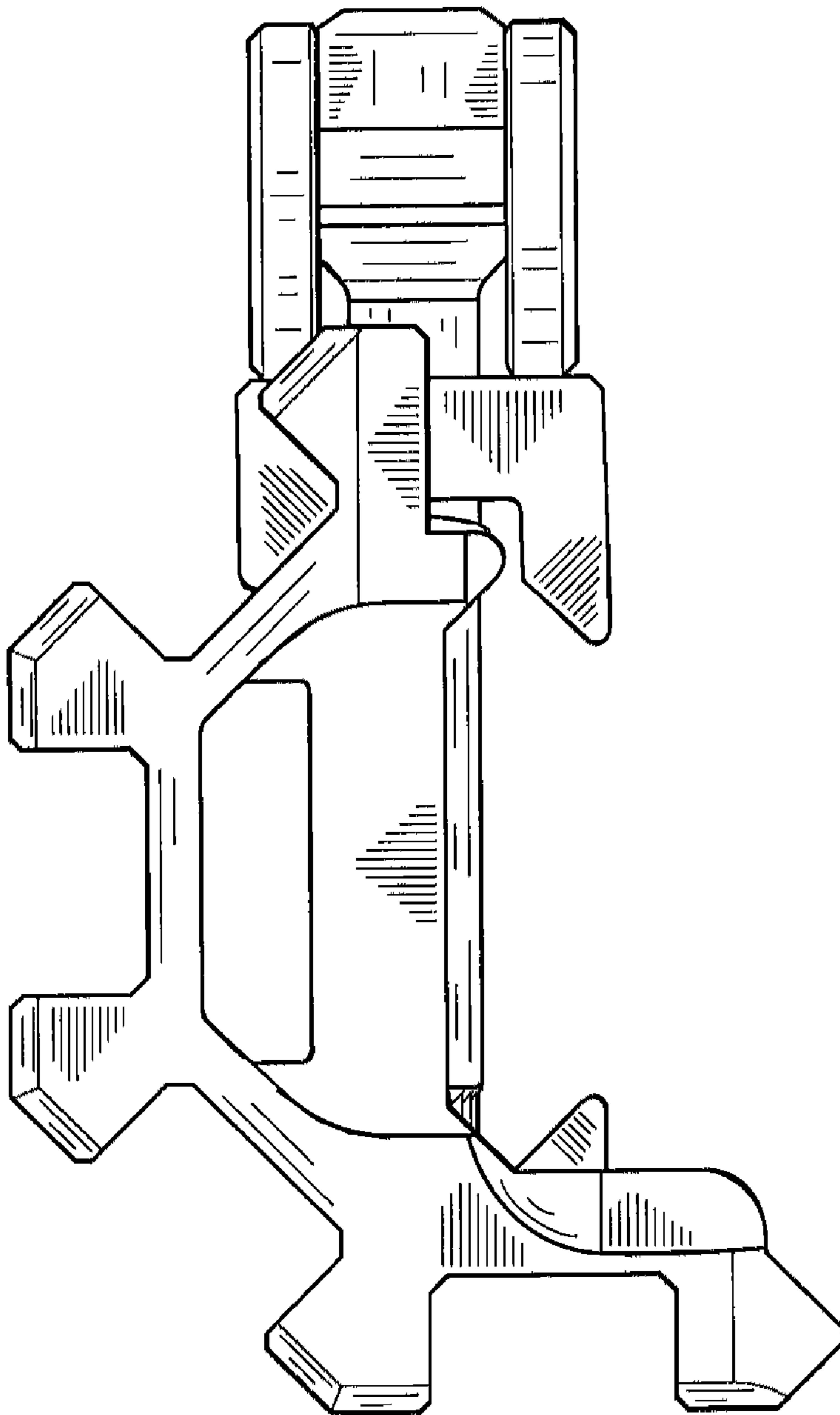


FIG. 9

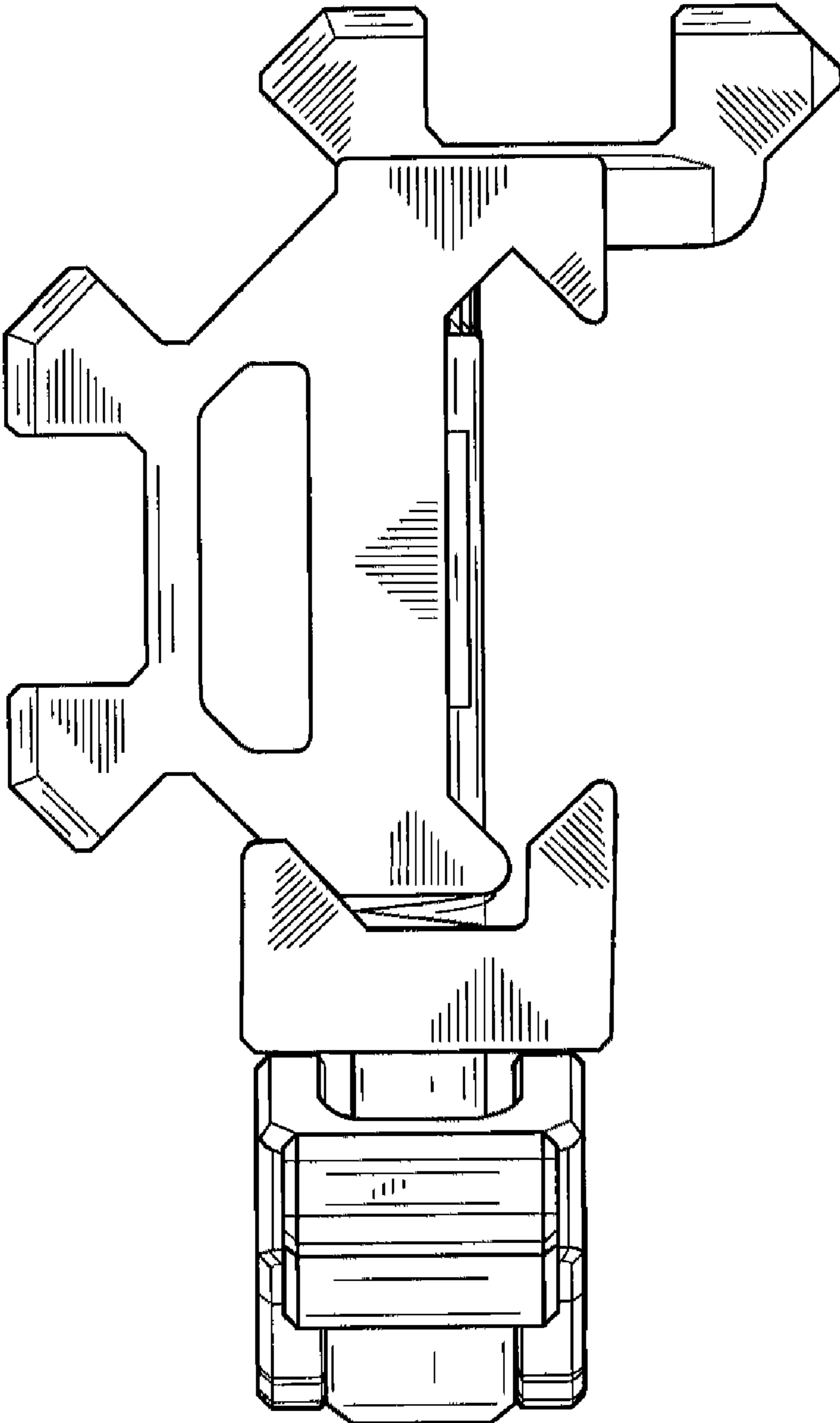


FIG. 10

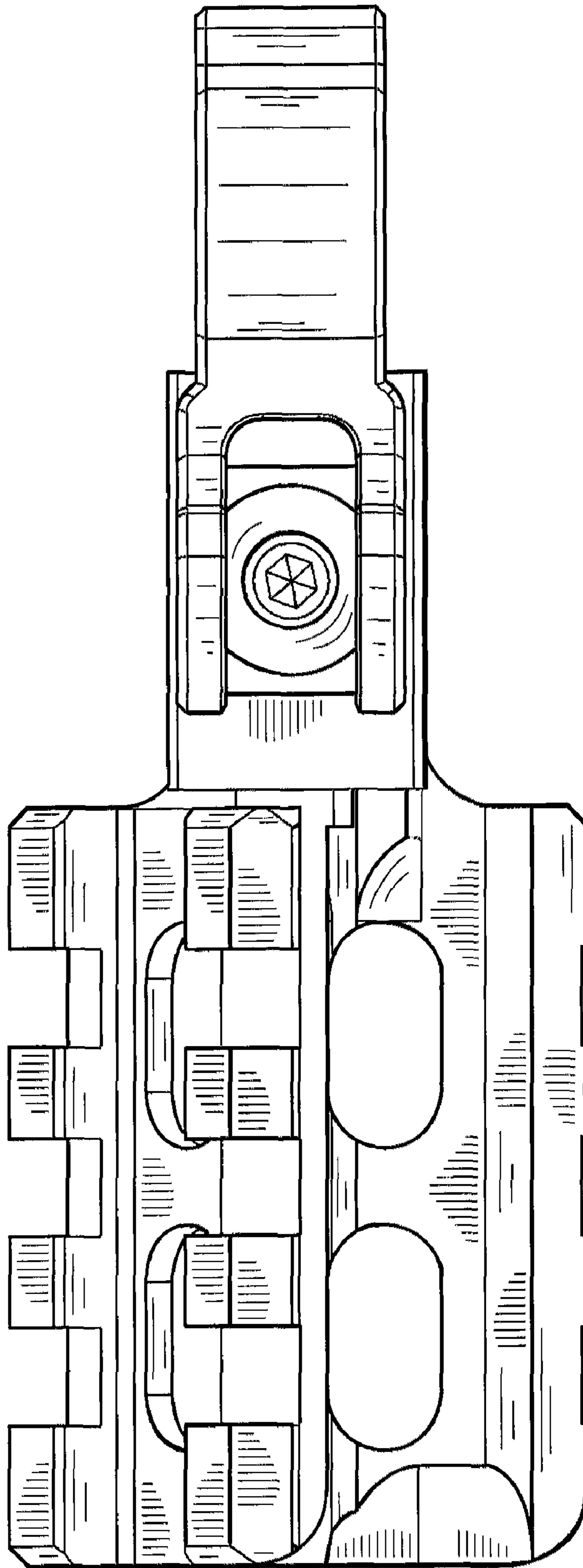


FIG. 11

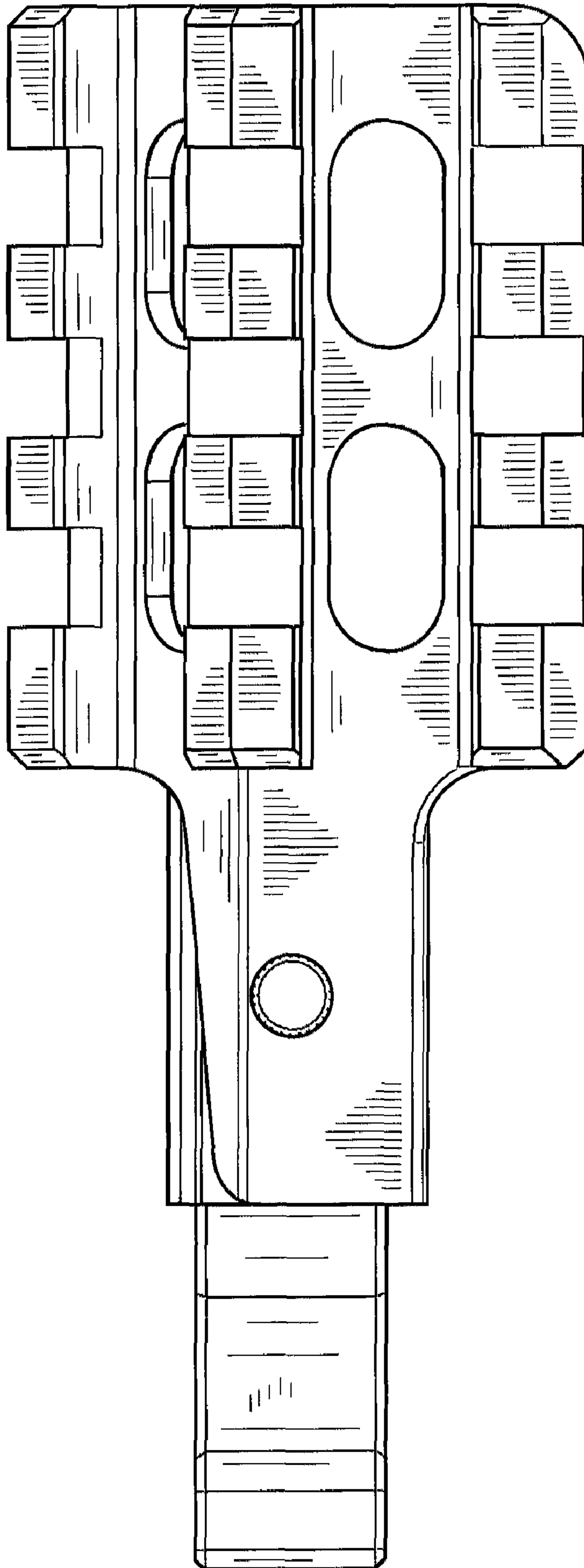


FIG. 12

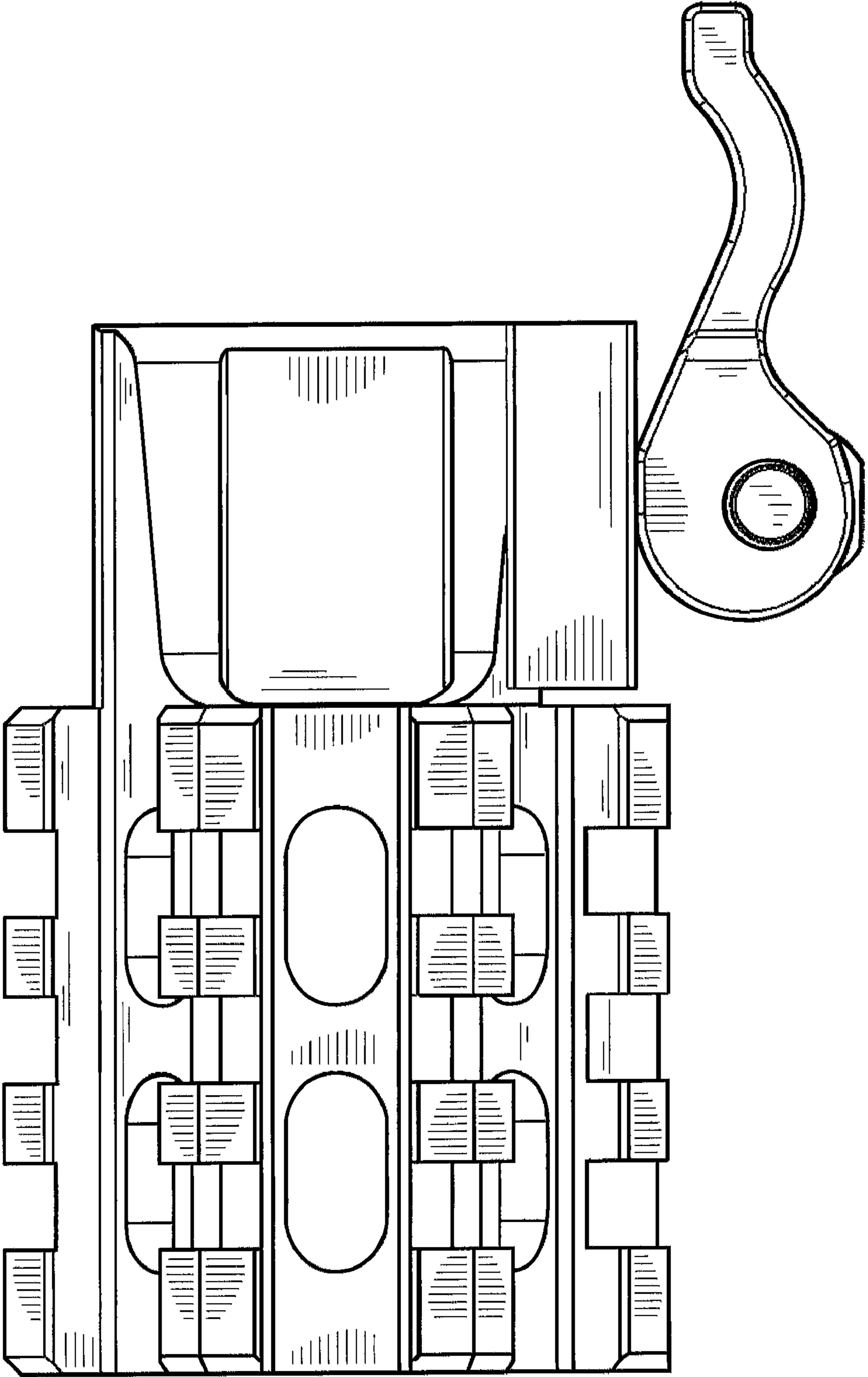


FIG. 13

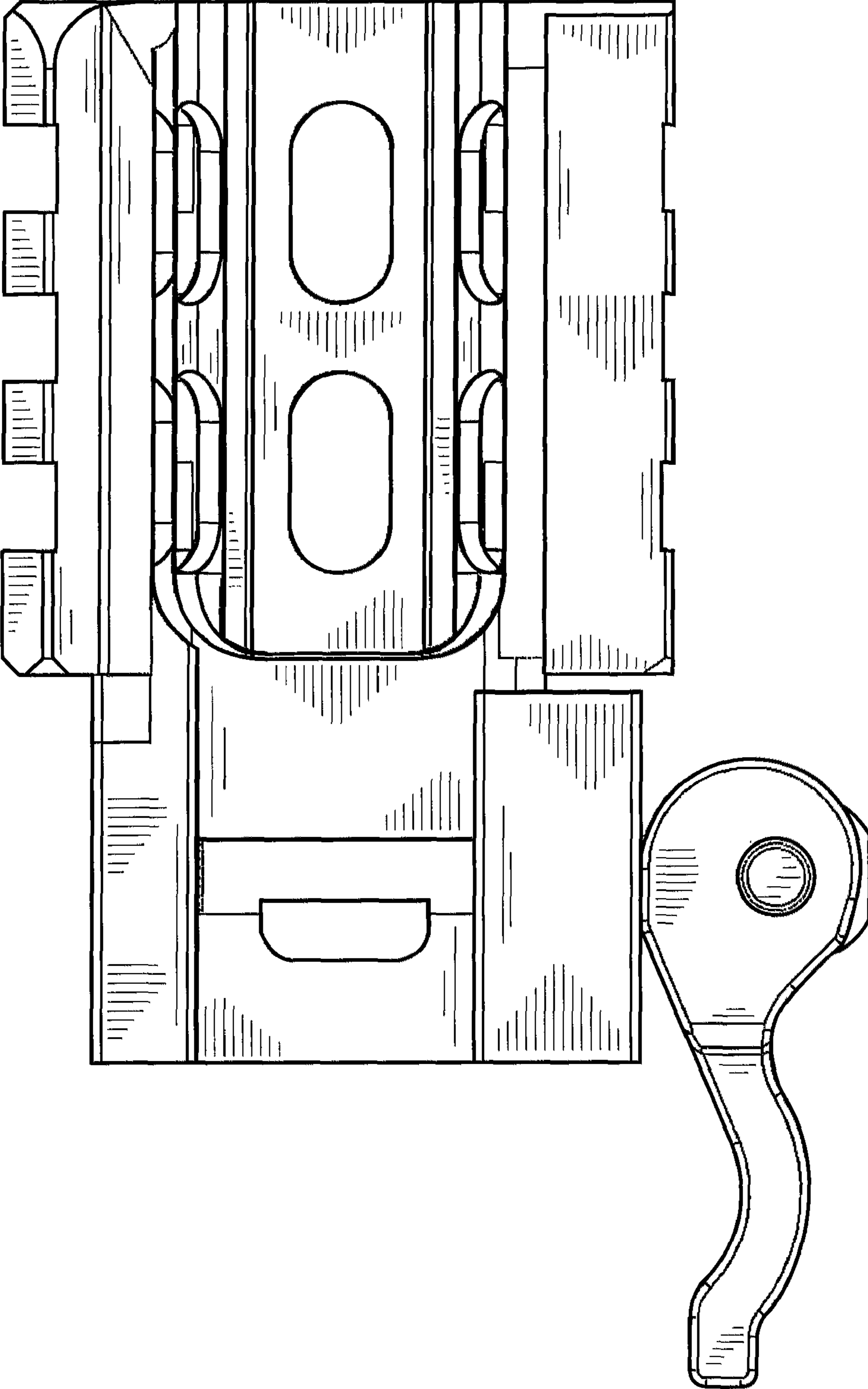


FIG. 14