



US00D659220S

(12) **United States Design Patent**  
**Foltz**

(10) **Patent No.:** **US D659,220 S**

(45) **Date of Patent:** **\*\* May 8, 2012**

(54) **RAIL SIGHT MOUNT**

(75) Inventor: **Adam L. Foltz**, Somerset, NJ (US)

(73) Assignee: **The United States of America, as represented by the Secretary of the Army**, Washington, DC (US)

(\*\*) Term: **14 Years**

(21) Appl. No.: **29/384,837**

(22) Filed: **Feb. 4, 2011**

(51) **LOC (9) Cl.** ..... **22-01**

(52) **U.S. Cl.** ..... **D22/108**

(58) **Field of Classification Search** ..... D22/108-110,  
D22/199; 89/111-133; 359/399, 823, 744;  
42/104, 105, 111-113, 116, 120, 124-129,  
42/141-148, 133-140; 33/227, 229  
See application file for complete search history.

(56) **References Cited**

**U.S. PATENT DOCUMENTS**

- D609,770 S \* 2/2010 Mulfinger et al. .... D22/110
- 2002/0162267 A1 \* 11/2002 Nelson et al. .... 42/120
- 2008/0072471 A1 \* 3/2008 Keng ..... 42/124

\* cited by examiner

*Primary Examiner* — Michael Pratt

(74) *Attorney, Agent, or Firm* — Michael C. Sachs

(57) **CLAIM**

The ornamental design for a rail sight mount, as shown and described.

**DESCRIPTION**

The invention described and claimed herein may be manufactured, used and licensed by or for the U.S. Government for U.S. Government purposes.

FIG. 1 is a perspective view of a rail sight mounting apparatus showing my new design;

FIG. 2 is a front elevation view thereof;

FIG. 3 is a back elevation view thereof;

FIG. 4 is a left side elevation view thereof;

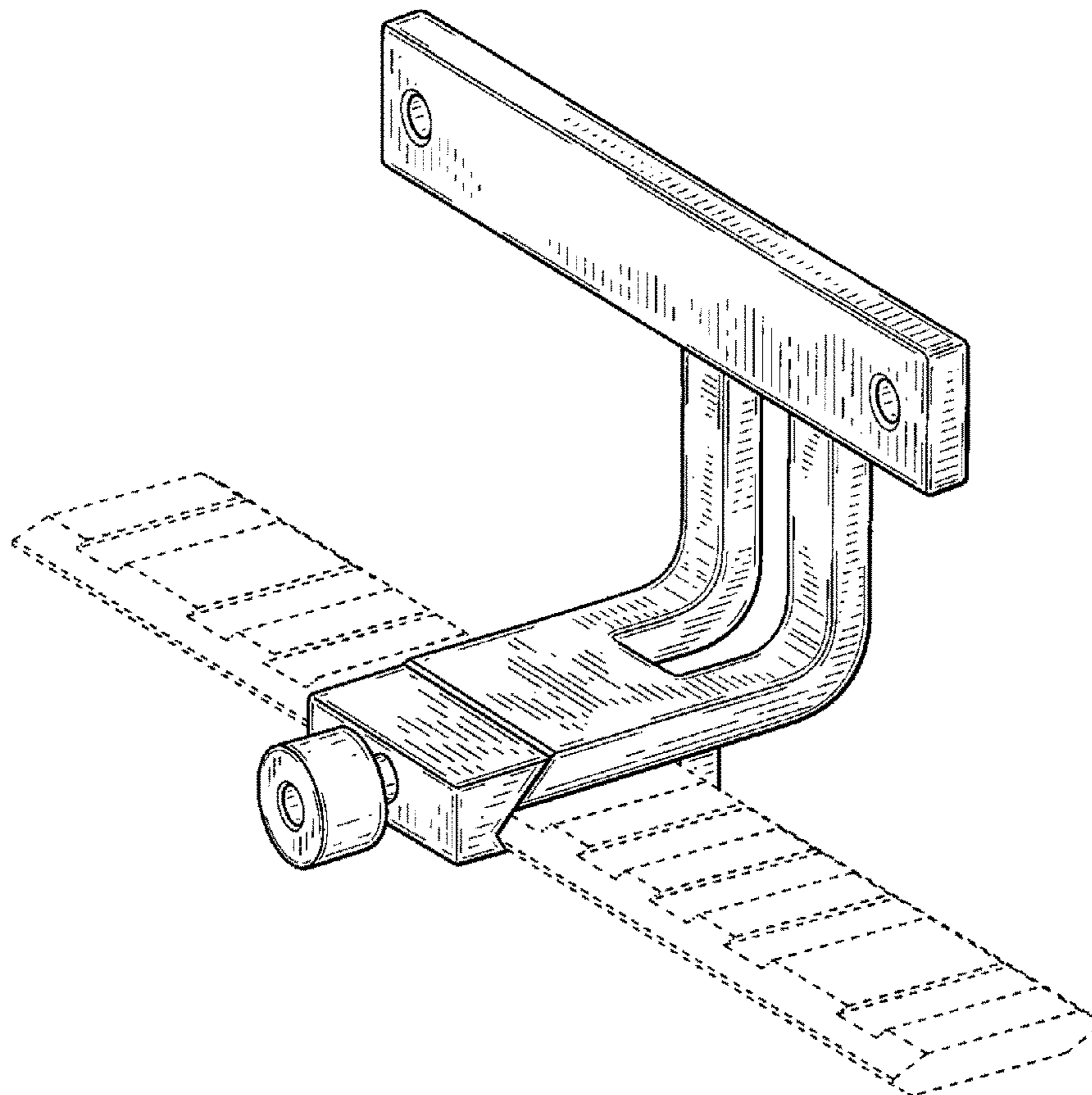
FIG. 5 is a right side elevation view thereof;

FIG. 6 is a top plan view thereof; and,

FIG. 7 is a bottom plan view thereof.

The rail (which is part of the rifle, machine gun or other weapon to which the subject new sight mount is secured) is shown in broken lines in FIG. 1, for illustrative purposes only, and forms no part of the claimed design.

**1 Claim, 4 Drawing Sheets**



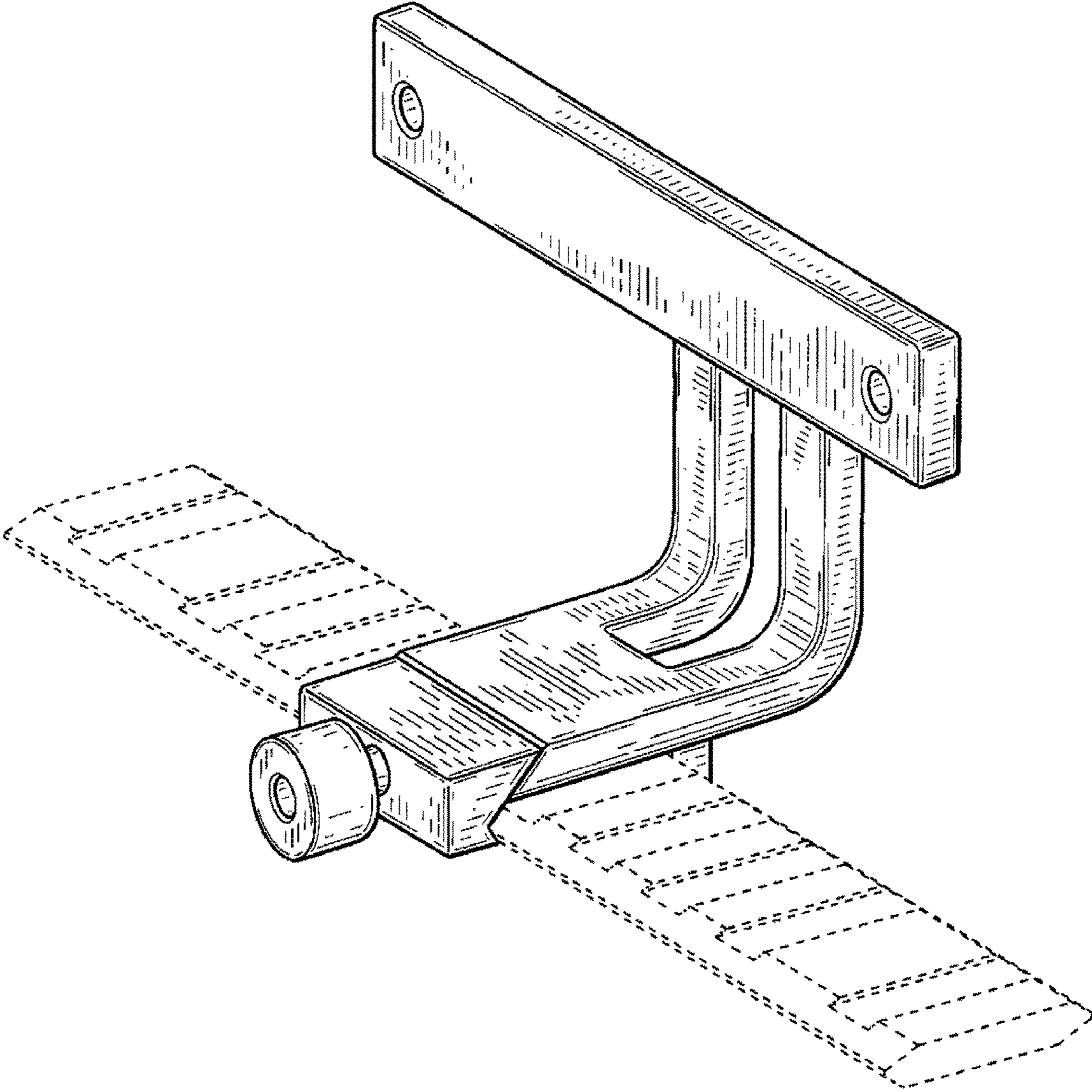


FIG. 1

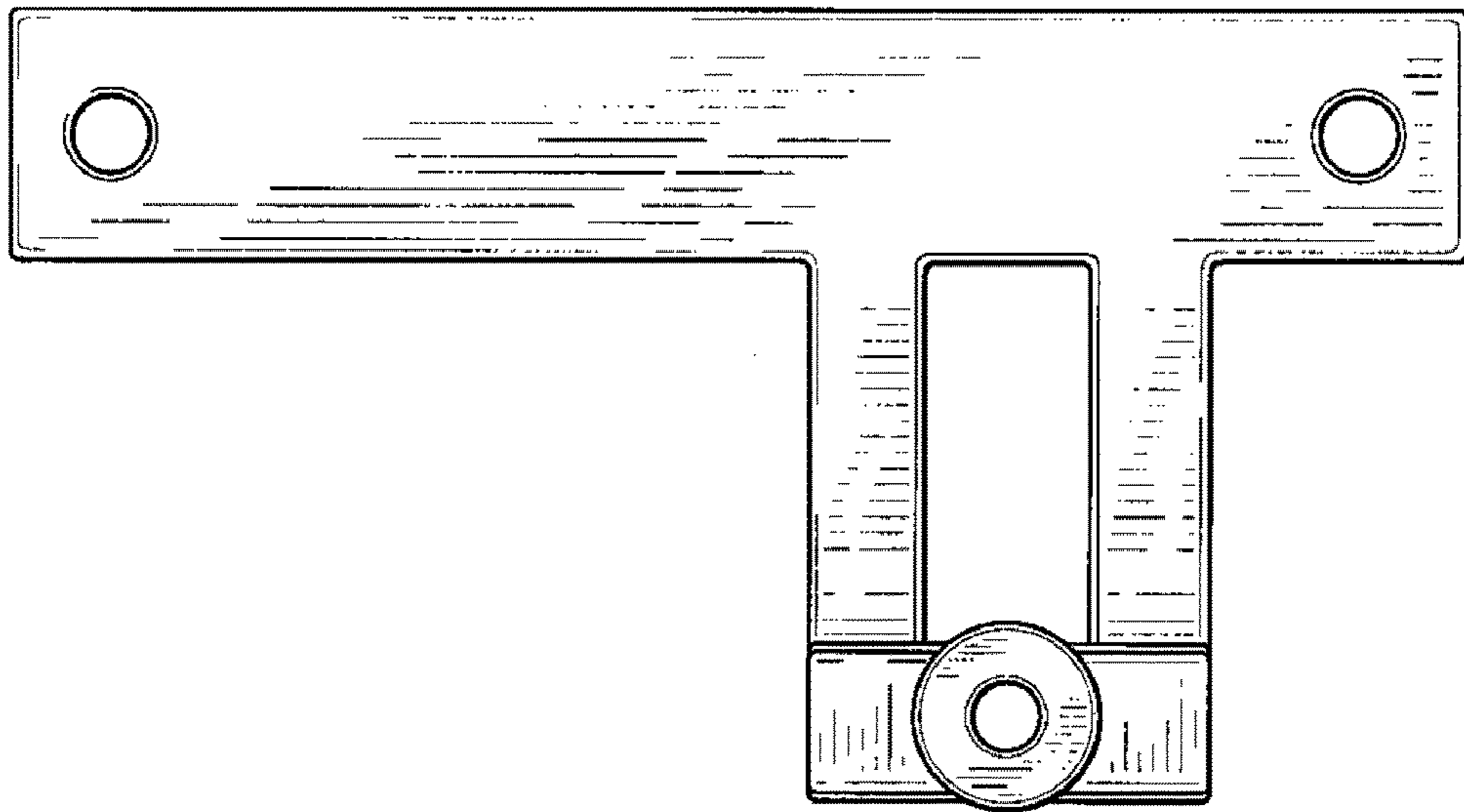


FIG. 2

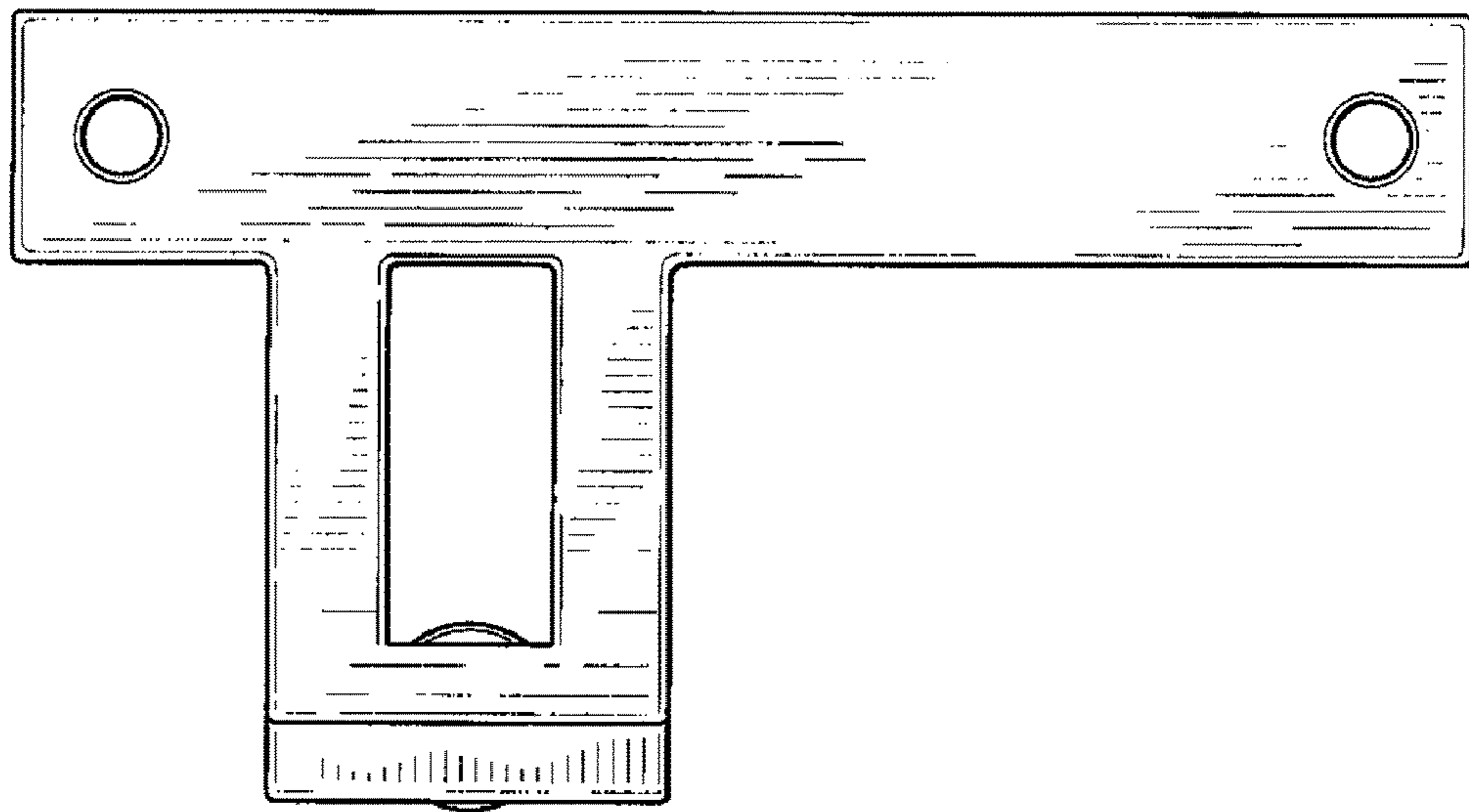


FIG. 3

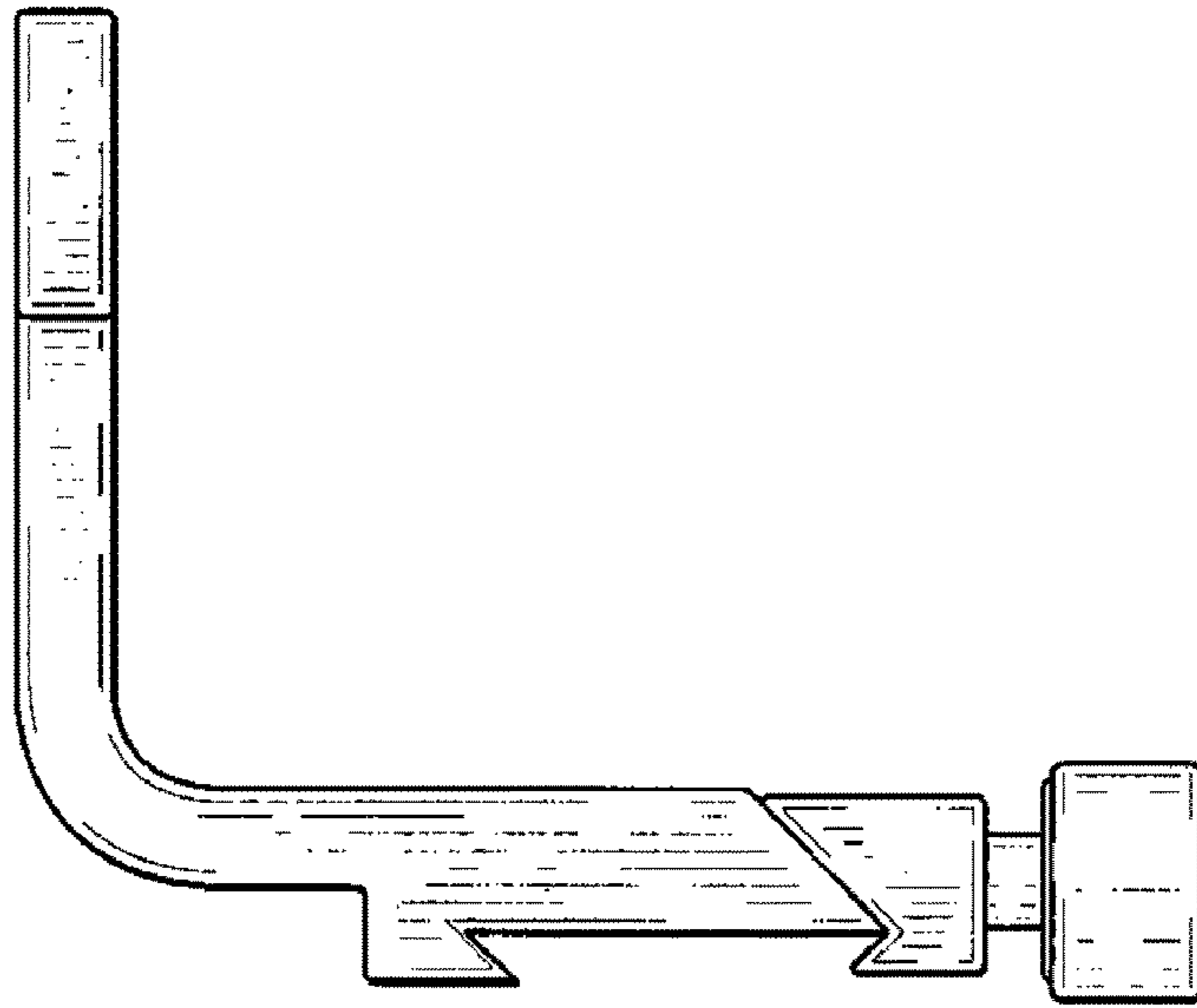


FIG. 4

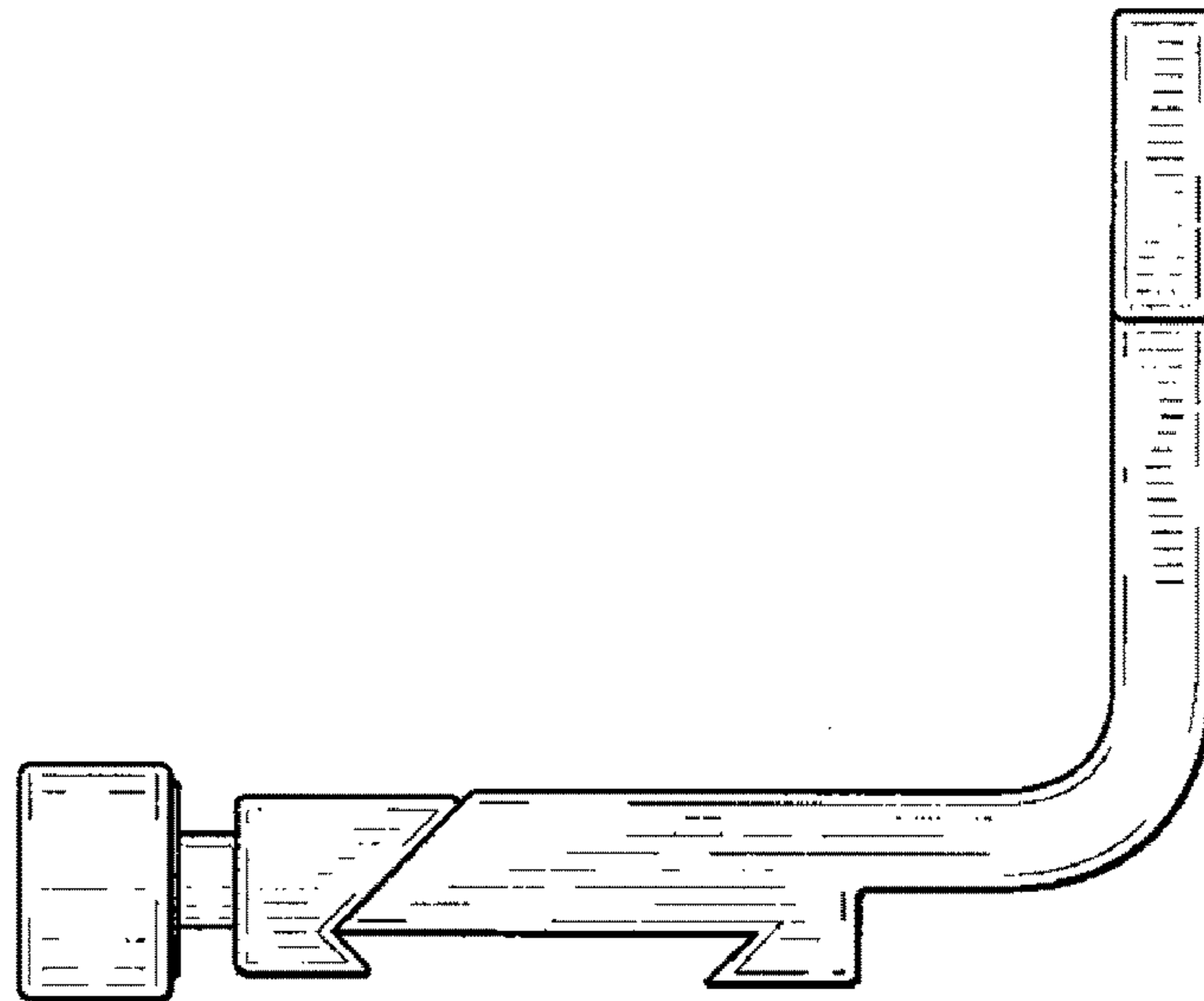


FIG. 5

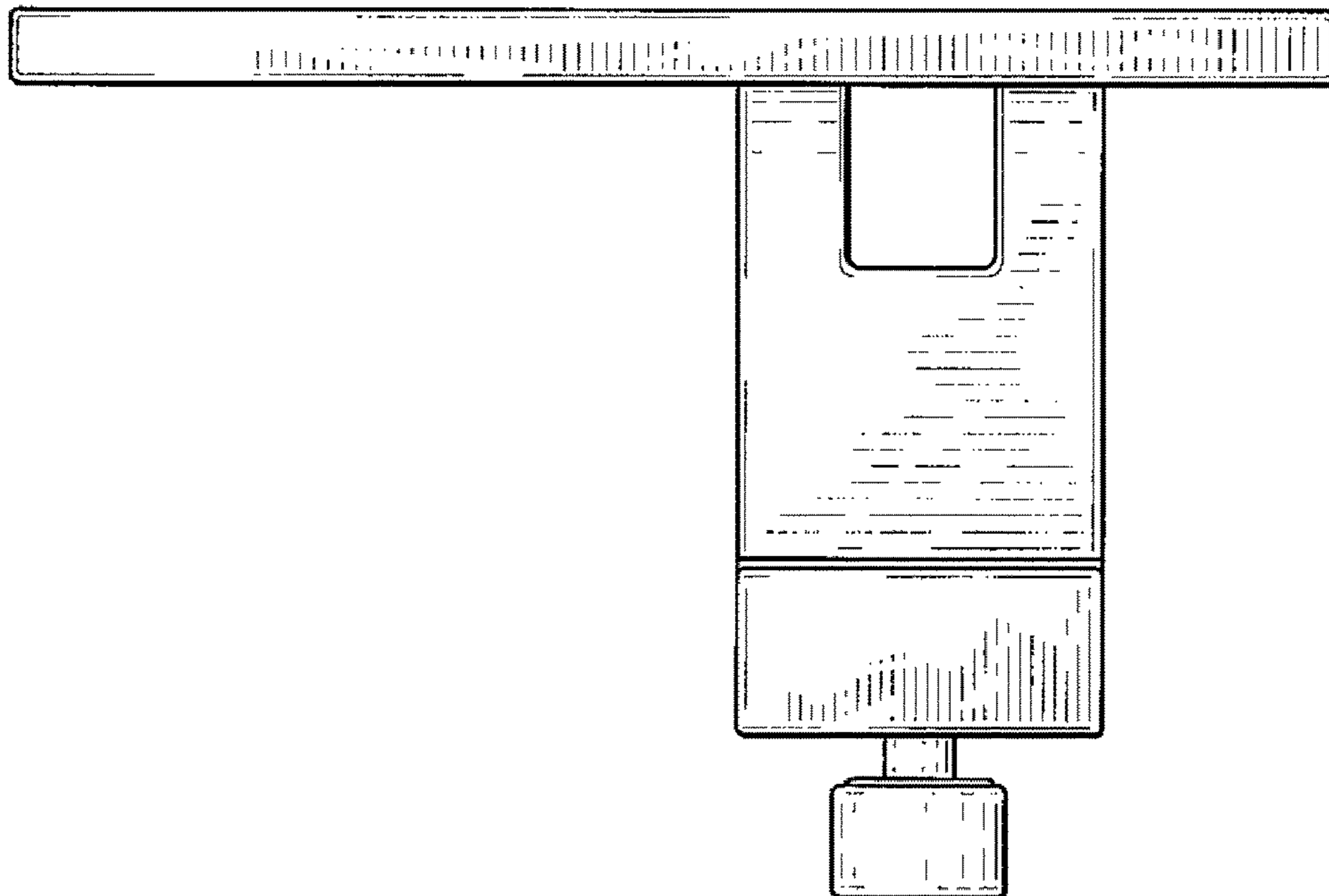


FIG. 6

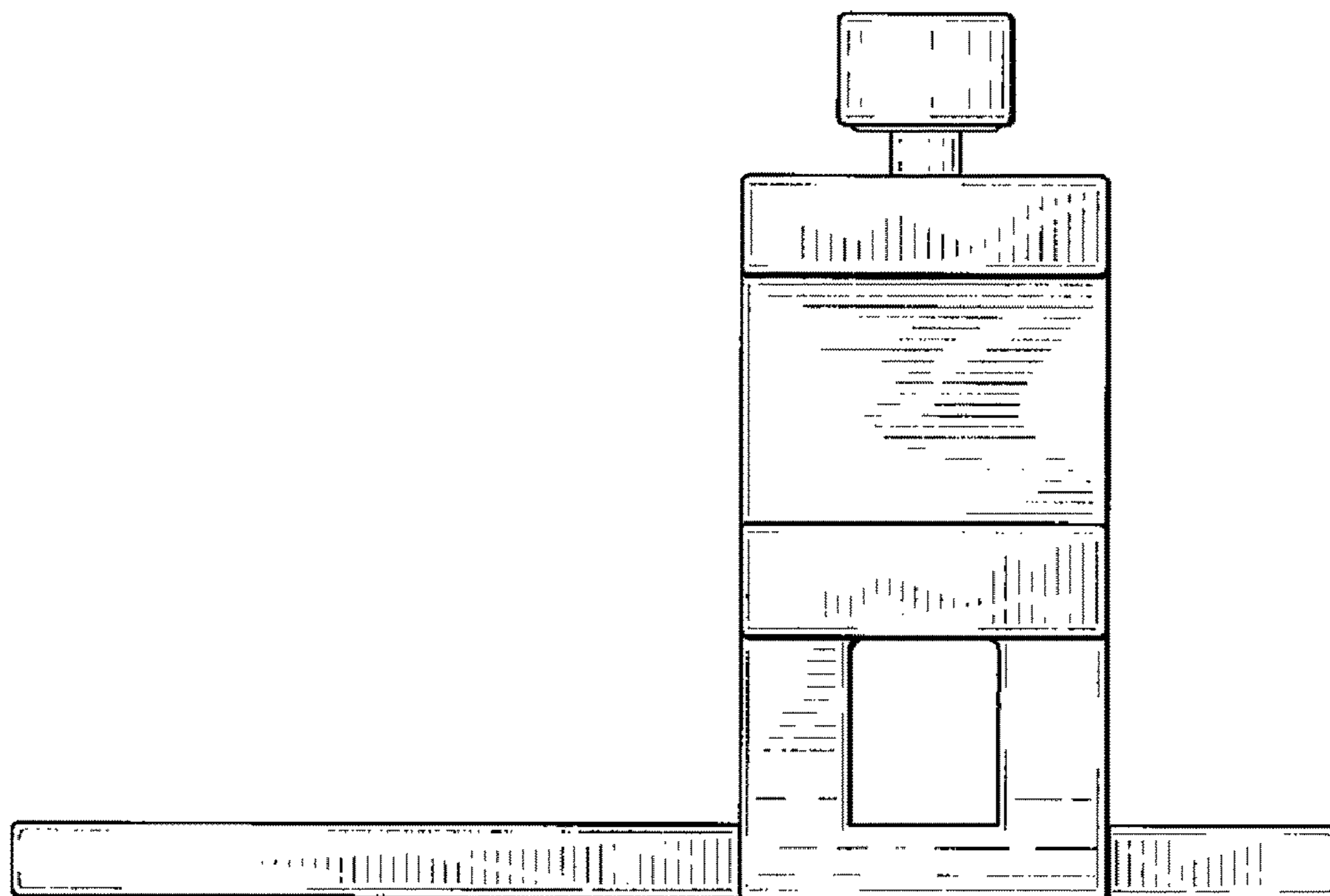


FIG. 7