



US00D659219S

(12) **United States Design Patent**
Coulter et al.

(10) **Patent No.:** **US D659,219 S**

(45) **Date of Patent:** **** May 8, 2012**

(54) **BARREL TIP AND SPRING GUIDE SET**

(76) Inventors: **Todd Coulter**, Germantown, TN (US);
Spencer Hart, Germantown, TN (US)

(**) Term: **14 Years**

(21) Appl. No.: **29/379,325**

(22) Filed: **Nov. 17, 2010**

(51) **LOC (9) Cl.** **22-01**

(52) **U.S. Cl.** **D22/108**

(58) **Field of Classification Search** D22/100,
D22/101, 103, 104, 108, 199; D21/570-575;
42/51, 71.01, 75.01, 75.02, 90, 94, 134, 136,
42/139, 125, 72, 111; 362/110; 89/40.06,
89/41.19, 37.04, 33.04, 191.01, 200-204;
124/16-21, 67, 66, 72, 74

See application file for complete search history.

(56) **References Cited**

U.S. PATENT DOCUMENTS

768,666 A * 8/1904 Johnson 42/71.01
2,355,809 A * 8/1944 Lefever 124/65
2008/0295818 A1* 12/2008 Styles et al. 124/83

* cited by examiner

Primary Examiner — Michael Pratt

(74) *Attorney, Agent, or Firm* — QuickPatents, Inc.; Kevin Prince

(57) **CLAIM**

We claim the ornamental design for a barrel tip and spring guide set, as shown and described.

DESCRIPTION

FIG. 1 is a perspective view of a barrel tip and spring guide set, showing the new design;

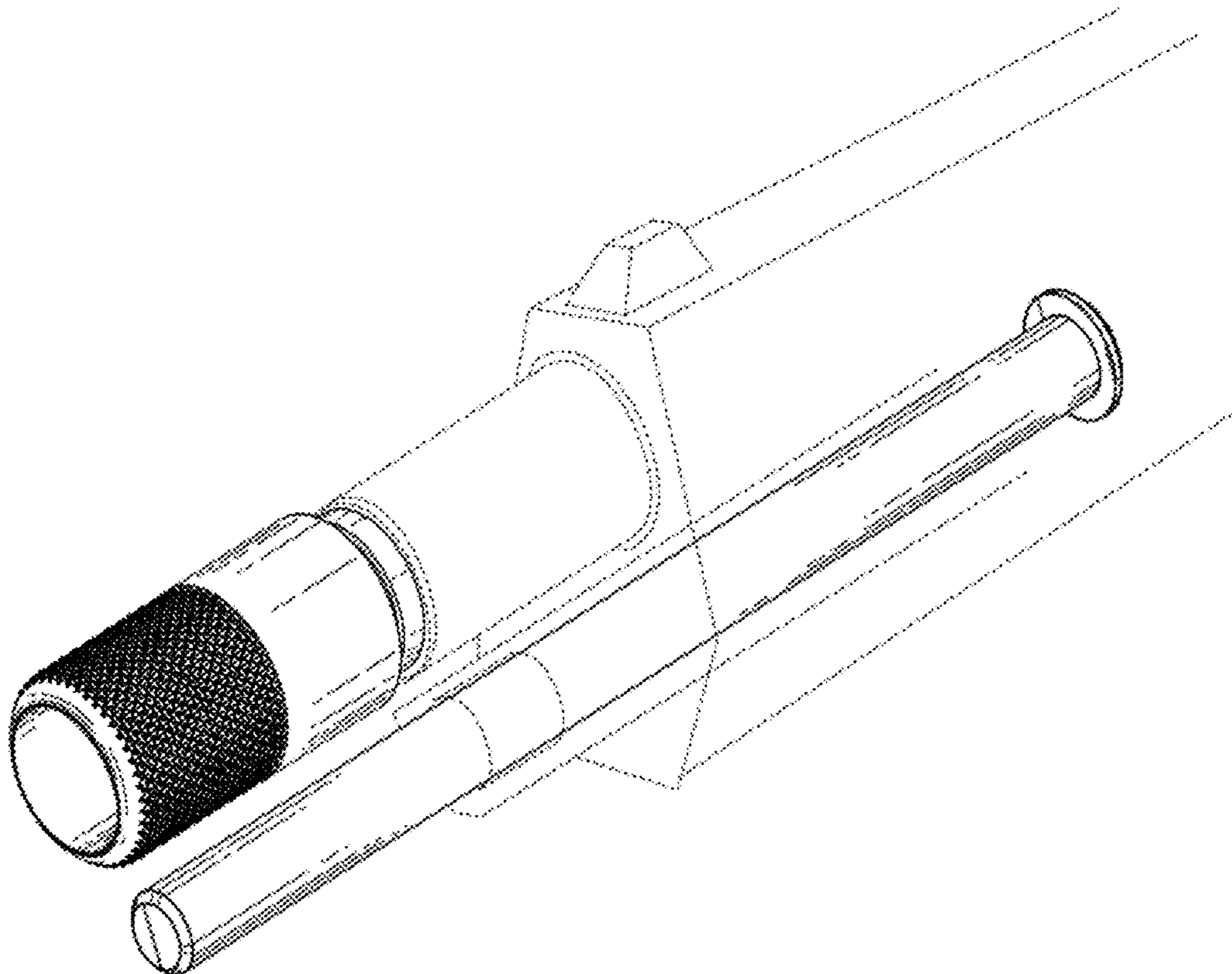
FIG. 2 is a front elevational view thereof;

FIG. 3 is a rear elevational view thereof; and,

FIG. 4 is a left-side elevational view thereof, a spring guide thereof shown partially broken away for clarity of illustration, the right-side elevational view, top plan view, and bottom plan view thereof all being identical thereto.

The broken lines showing a firearm in FIG. 1 are included for the purpose of illustrating the invention in use, and form no part of the claimed design. The broken lines in FIGS. 2 and 3 depicted environmental matter and form no part of the claimed design.

1 Claim, 3 Drawing Sheets



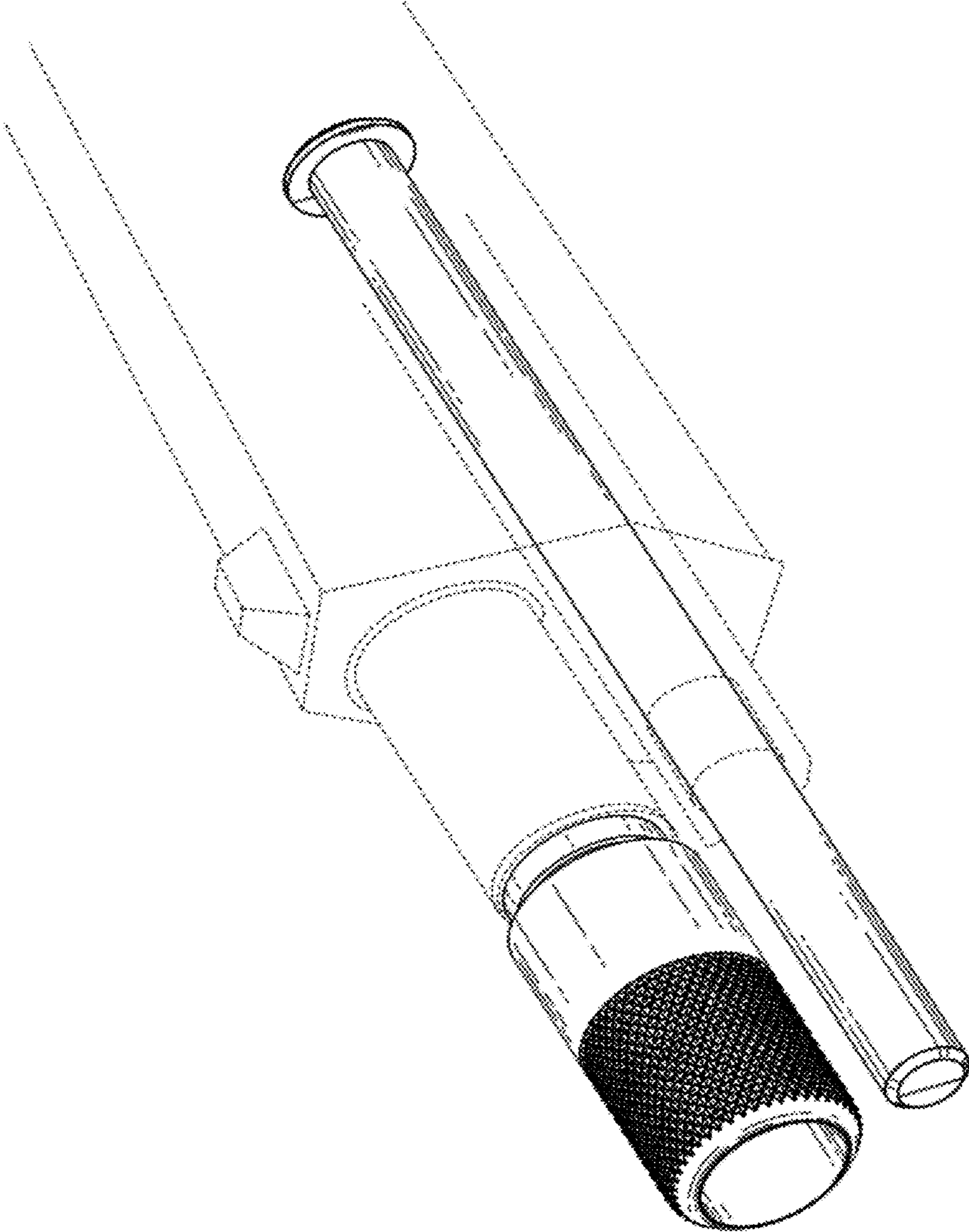


FIG. 1

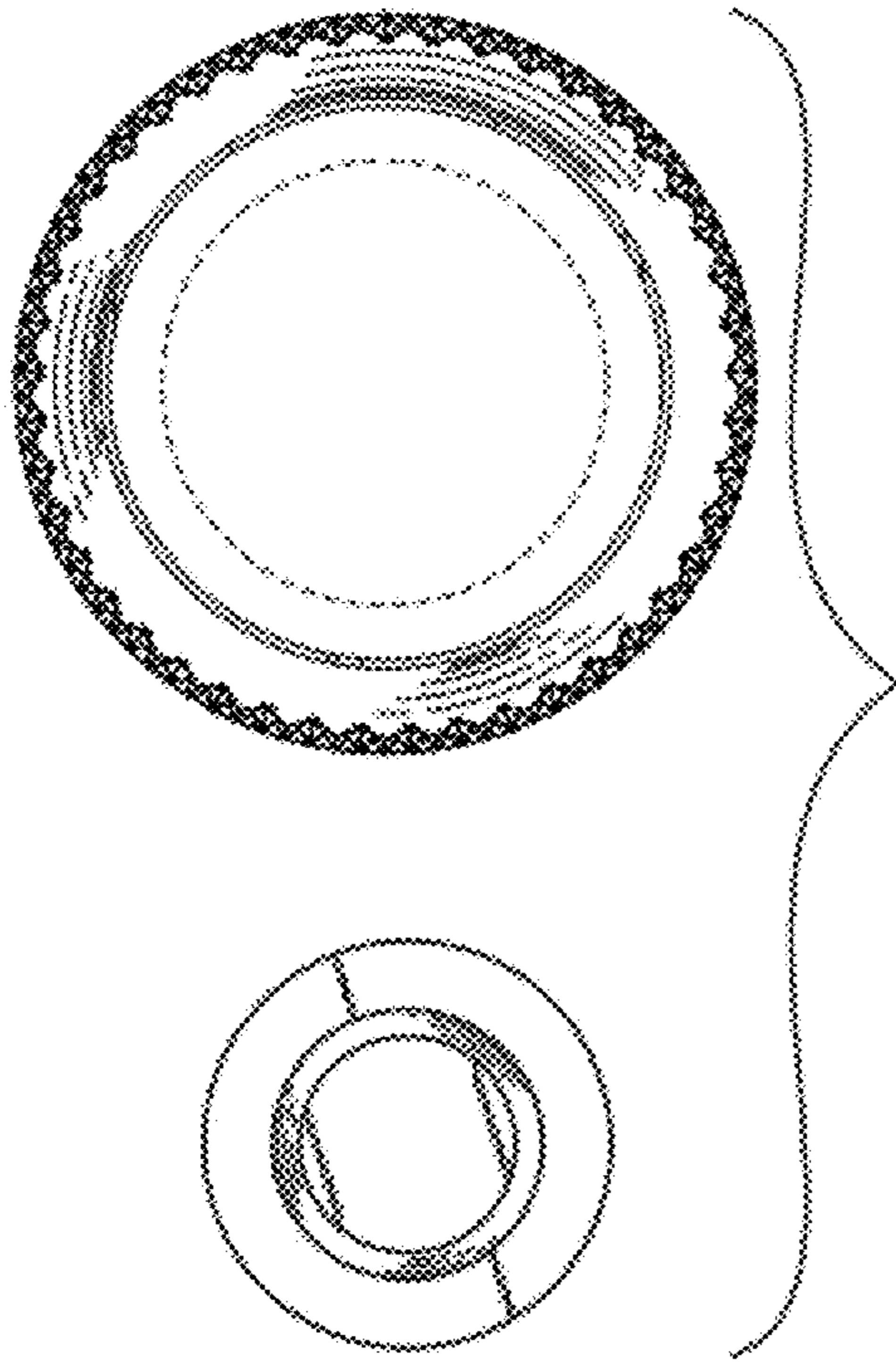


FIG. 2

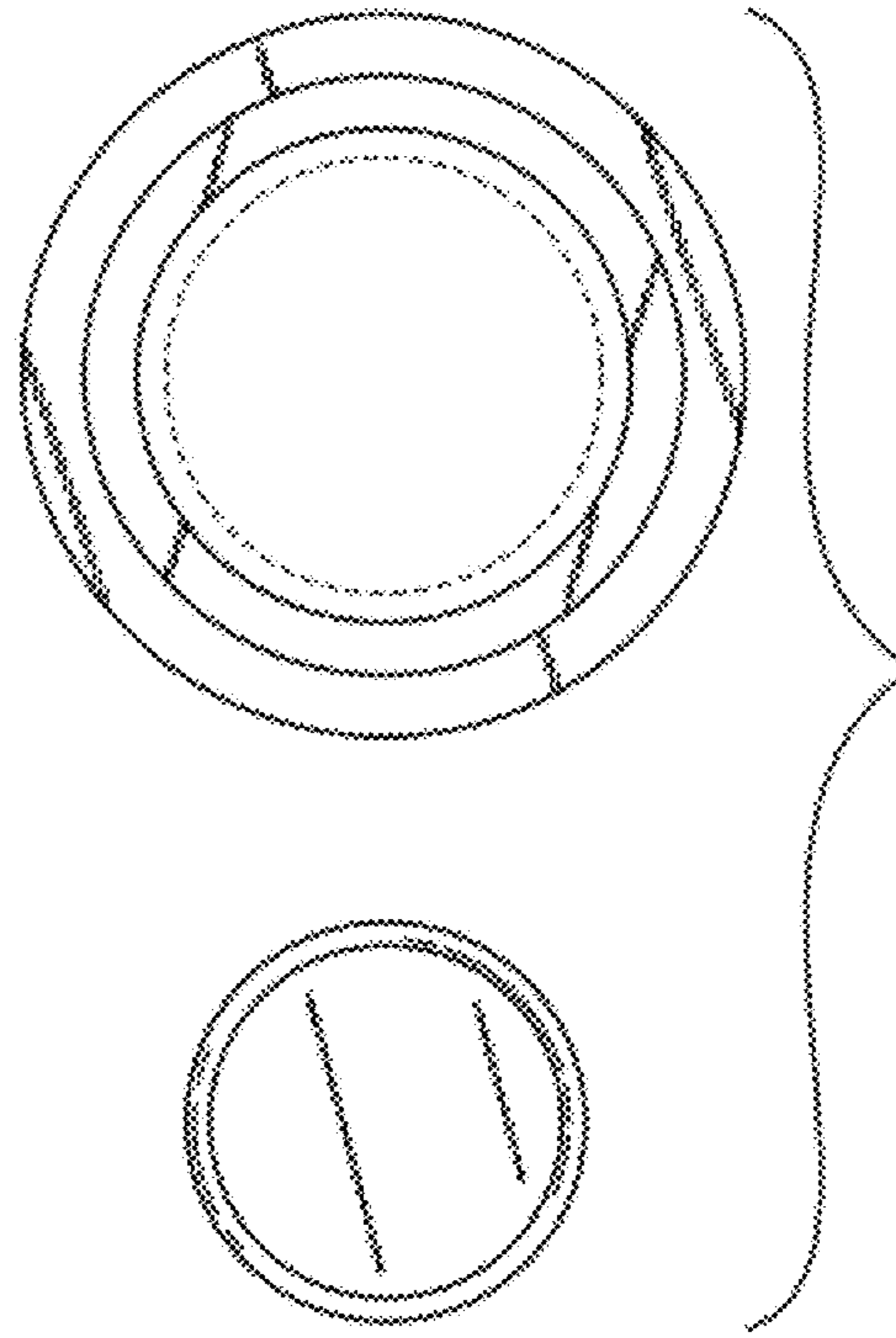


FIG. 3

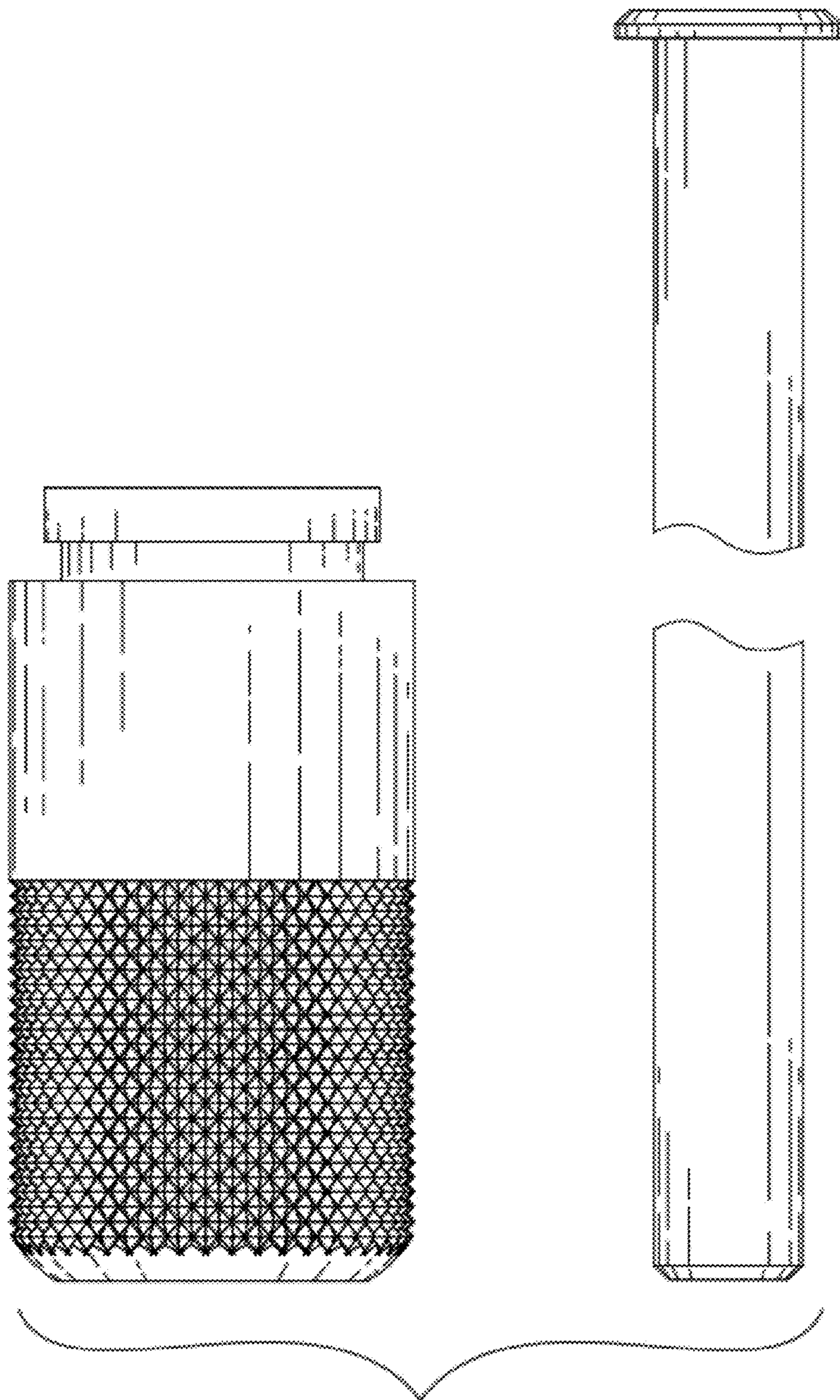


FIG. 4