



US00D659218S

(12) **United States Design Patent**
Palomaki et al.

(10) **Patent No.:** **US D659,218 S**

(45) **Date of Patent:** **** May 8, 2012**

(54) **ARROW INSERT APPARATUS**
(75) Inventors: **Teddy D. Palomaki**, Park City, UT (US);
Kenny R. Giles, West Valley City, UT
(US); **Ross M. Hirschberger**, West
Valley City, UT (US)

(73) Assignee: **Easton Technical Products, Inc.**, Salt
Lake City, UT (US)

(**) Term: **14 Years**

(21) Appl. No.: **29/393,333**

(22) Filed: **Jun. 2, 2011**

(51) **LOC (9) Cl.** **22-01**

(52) **U.S. Cl.** **D22/107**

(58) **Field of Classification Search** D22/107,
D22/115-116, 199; 124/16-29, 86-92; D8/384,
D8/385, 393

See application file for complete search history.

(56) **References Cited**

U.S. PATENT DOCUMENTS

6,217,467	B1 *	4/2001	Maleski	473/583
7,004,859	B2 *	2/2006	Palomaki et al.	473/578
7,077,770	B2 *	7/2006	Palomaki et al.	473/578
7,207,908	B1 *	4/2007	Gizowski	473/583
7,374,504	B2 *	5/2008	Palomaki et al.	473/578
7,608,001	B2 *	10/2009	Palomaki et al.	473/578

D605,499	S *	12/2009	Gaudron	D8/385
7,651,421	B2 *	1/2010	Smith et al.	473/582
7,731,612	B2 *	6/2010	Martin	473/581
D628,056	S *	11/2010	Busch	D8/385
8,016,703	B1 *	9/2011	Kronengold et al.	473/582
2007/0259743	A1 *	11/2007	Sims et al.	473/578
2009/0163308	A1 *	6/2009	Odabachian et al.	473/582

* cited by examiner

Primary Examiner — Michael Pratt

(74) *Attorney, Agent, or Firm* — Holland & Hart

(57) **CLAIM**

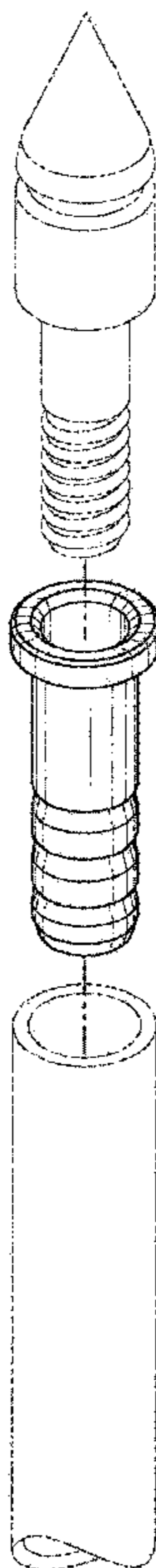
The ornamental design for an “arrow insert apparatus,” as shown and described.

DESCRIPTION

FIG. 1 is a perspective view of an “arrow insert apparatus” according to the present invention;
FIG. 2 is a front perspective view thereof;
FIG. 3 is a rear perspective view thereof;
FIG. 4 is a top/bottom/side elevation view thereof;
FIG. 5 is a front elevation view thereof;
FIG. 6 is a rear elevation view thereof; and,
FIG. 7 is a section view, taken along the line 7-7 of FIG. 4, thereof.

The broken line in FIGS. 1 and 7 is included for the purpose of illustrating environment and forms no part of the claimed design.

1 Claim, 4 Drawing Sheets



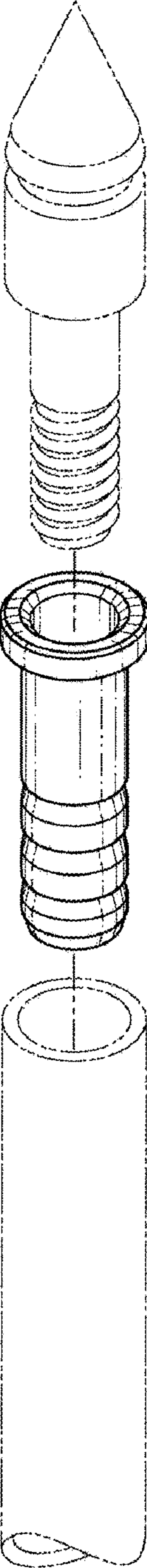


FIG. 1

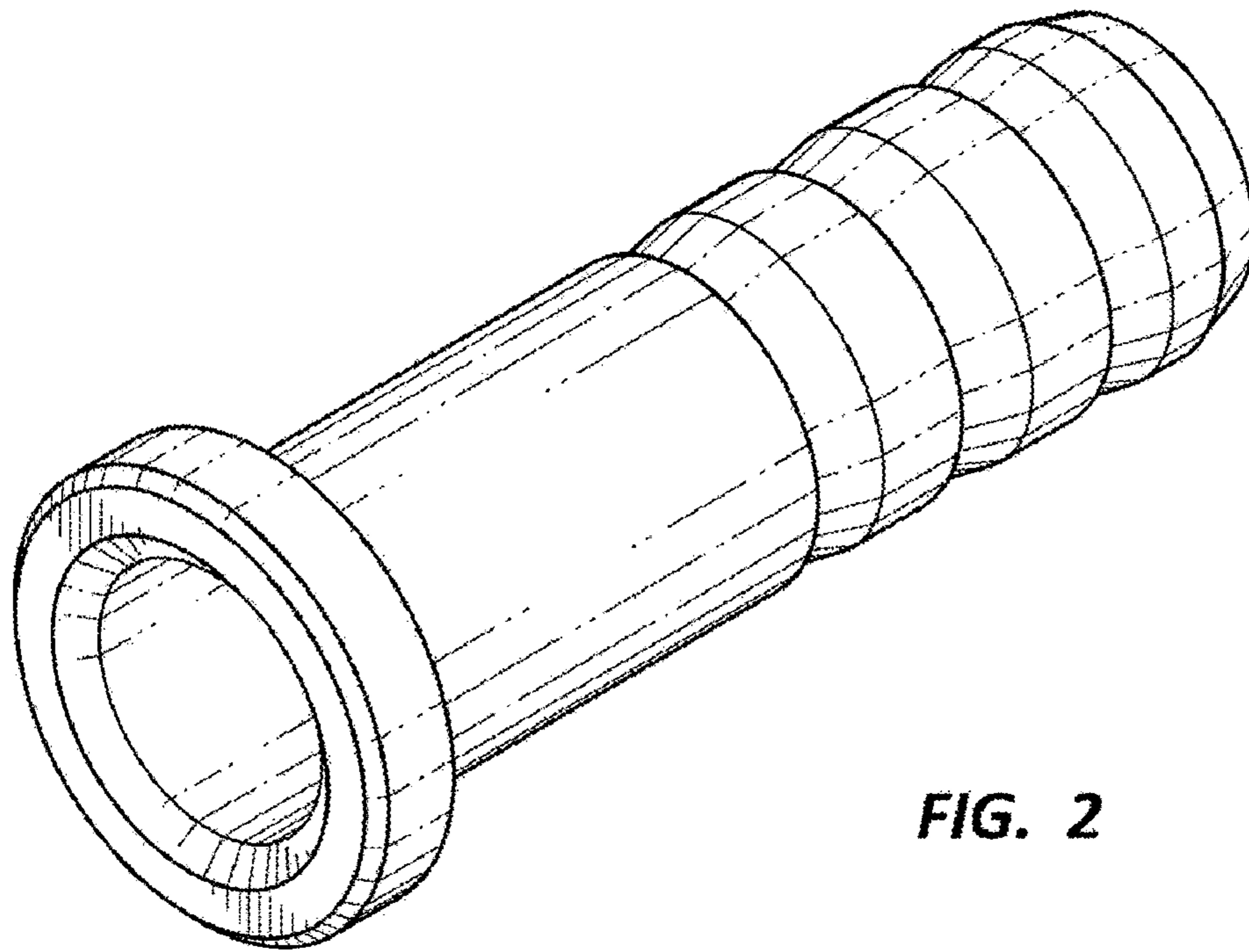


FIG. 2

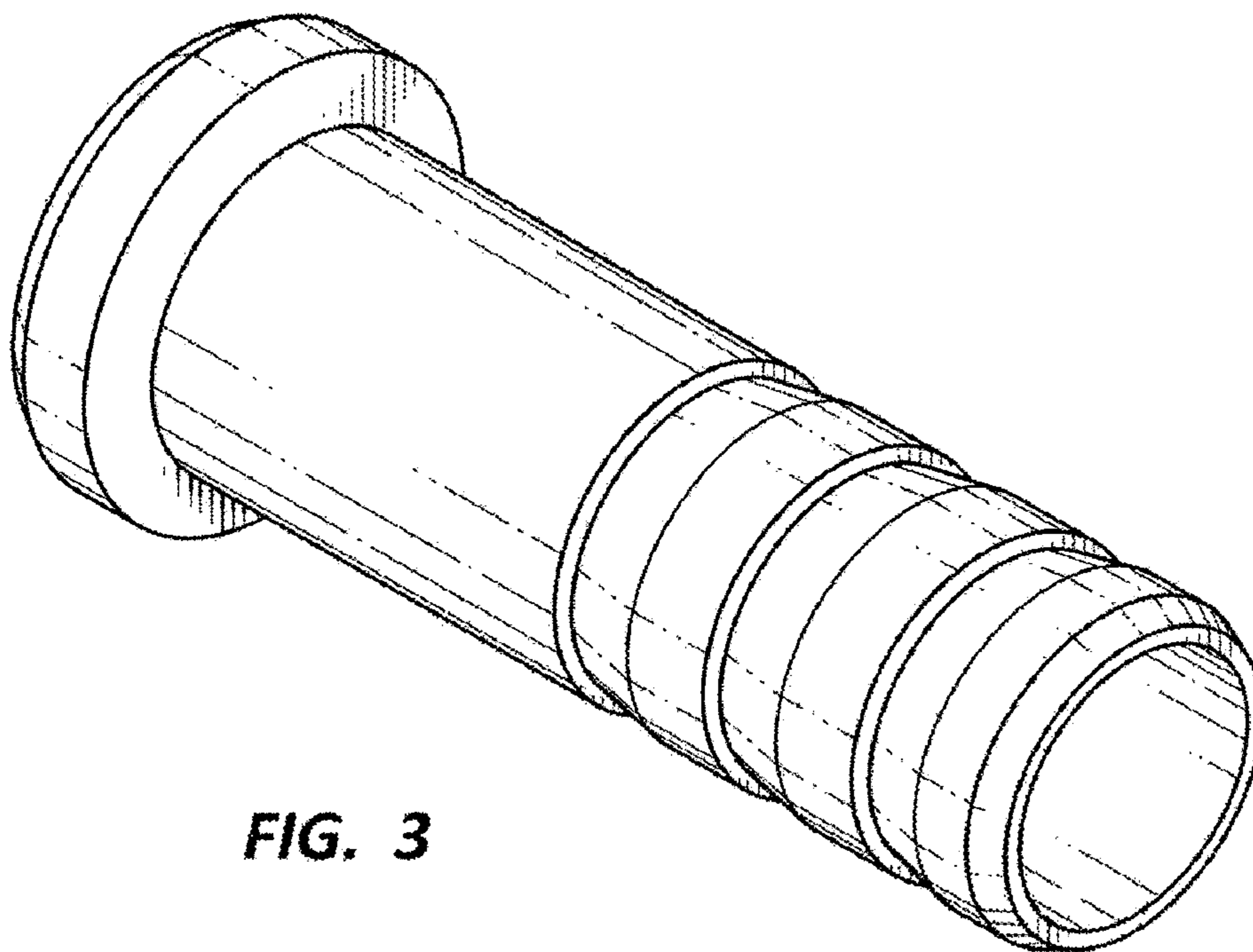


FIG. 3

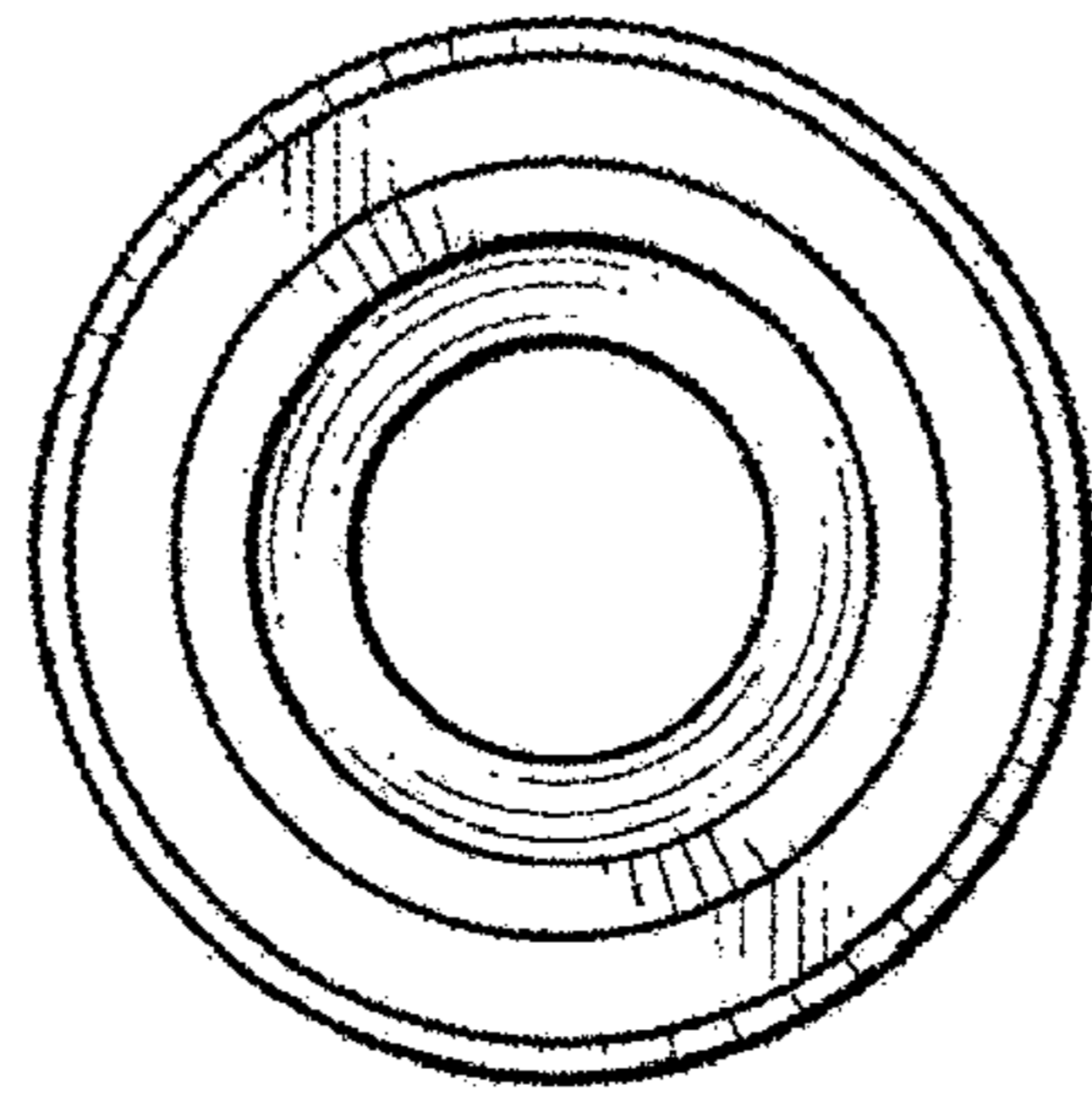


FIG. 5

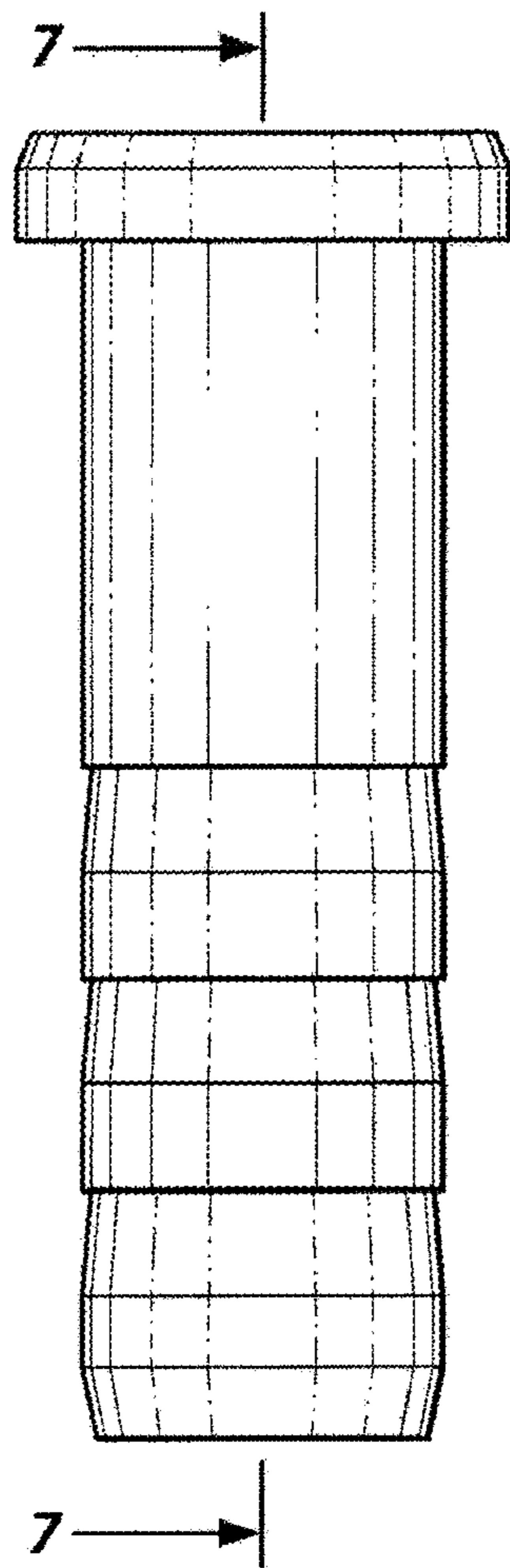


FIG. 4

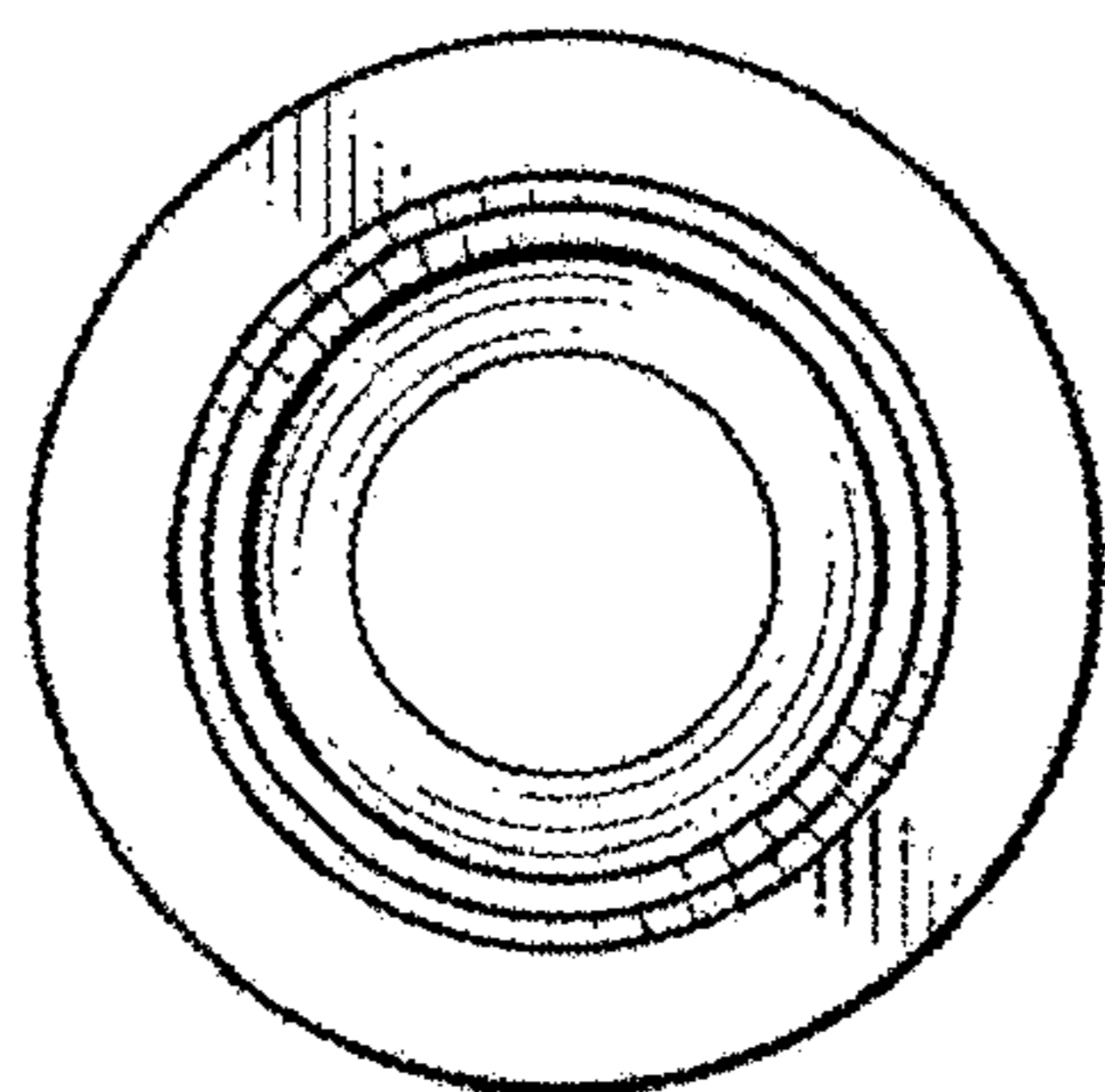


FIG. 6

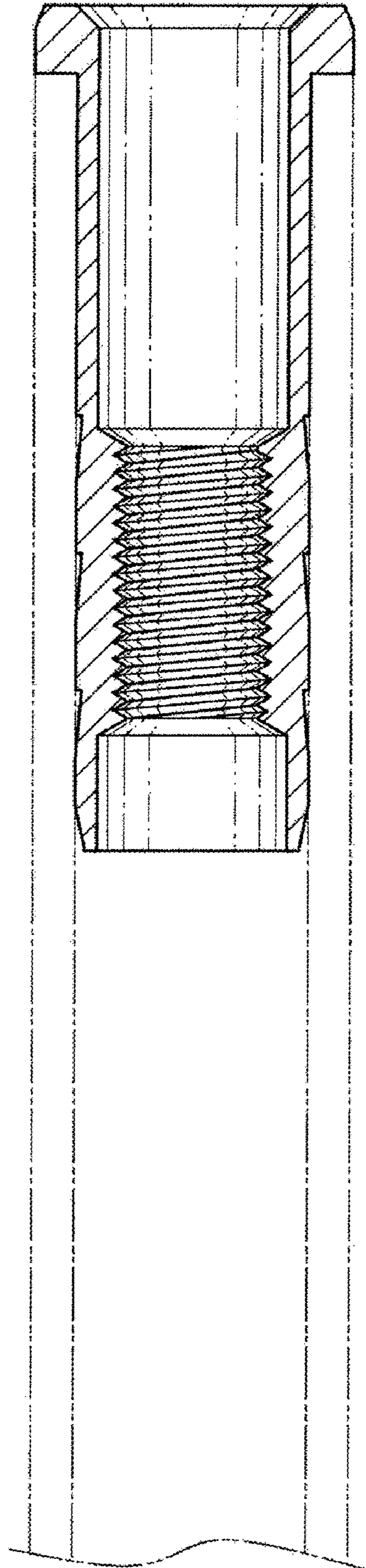


FIG. 7