



US00D659217S

(12) **United States Design Patent**
ReDavid, III

(10) **Patent No.:** **US D659,217 S**

(45) **Date of Patent:** **** May 8, 2012**

(54) **ARROW HEAD**

(76) **Inventor:** **Paul J. ReDavid, III**, Lithia Springs, GA (US)

(**) **Term:** **14 Years**

(21) **Appl. No.:** **29/391,289**

(22) **Filed:** **May 5, 2011**

(51) **LOC (9) Cl.** **22-01**

(52) **U.S. Cl.** **D22/107**

(58) **Field of Classification Search** D22/107,
D22/115-116, 199; 124/16-29, 86-92; D8/300,
D8/31, 401, 402, 499, DIG. 1, DIG. 27; 16/414,
16/417, 433, 441

See application file for complete search history.

(56) **References Cited**

U.S. PATENT DOCUMENTS

| | | | | |
|-----------|-----|---------|---------------|-----------|
| 735,336 | A * | 8/1903 | Bowles | 411/166 |
| 1,691,923 | A * | 11/1928 | Eklund | 16/441 |
| 3,978,758 | A * | 9/1976 | Bright | 411/397 |
| D244,448 | S | 5/1977 | Bonine et al. | |
| 4,396,196 | A | 8/1983 | Drennan | |
| 4,462,598 | A | 7/1984 | Chalin et al. | |
| D279,813 | S | 7/1985 | Palizzolo | |
| 4,616,835 | A | 10/1986 | Trotter | |
| 4,993,397 | A * | 2/1991 | Cryar et al. | 124/23.1 |
| 5,114,156 | A | 5/1992 | Saunders | |
| 5,161,851 | A * | 11/1992 | Rafi-Zadeh | 296/26.07 |
| D363,878 | S * | 11/1995 | Hayabusa | D8/387 |
| 5,522,375 | A * | 6/1996 | Simo et al. | 124/86 |
| 5,735,053 | A * | 4/1998 | McGunigal | 33/265 |

| | | | | |
|--------------|------|---------|----------------|-----------|
| 6,343,600 | B1 * | 2/2002 | Steinman | 124/91 |
| D462,600 | S | 9/2002 | Gilbert et al. | |
| D466,001 | S | 11/2002 | Monson | |
| D480,951 | S | 10/2003 | Robinson | |
| 6,732,410 | B1 * | 5/2004 | Nedderman, Jr. | 16/374 |
| D538,375 | S | 3/2007 | Reitz | |
| D590,704 | S | 4/2009 | Brunsteter | |
| 7,900,391 | B1 * | 3/2011 | Mihelish | 42/116 |
| 8,006,350 | B2 * | 8/2011 | Chen | 16/422 |
| 8,070,405 | B2 * | 12/2011 | Hazout | 411/387.2 |
| 2004/0034969 | A1 * | 2/2004 | Wegman | 16/389 |
| 2008/0282469 | A1 * | 11/2008 | Hayes et al. | 5/174 |

* cited by examiner

Primary Examiner — Michael Pratt

(74) *Attorney, Agent, or Firm* — QuickPatents, Inc.; Kevin Prince

(57) **CLAIM**

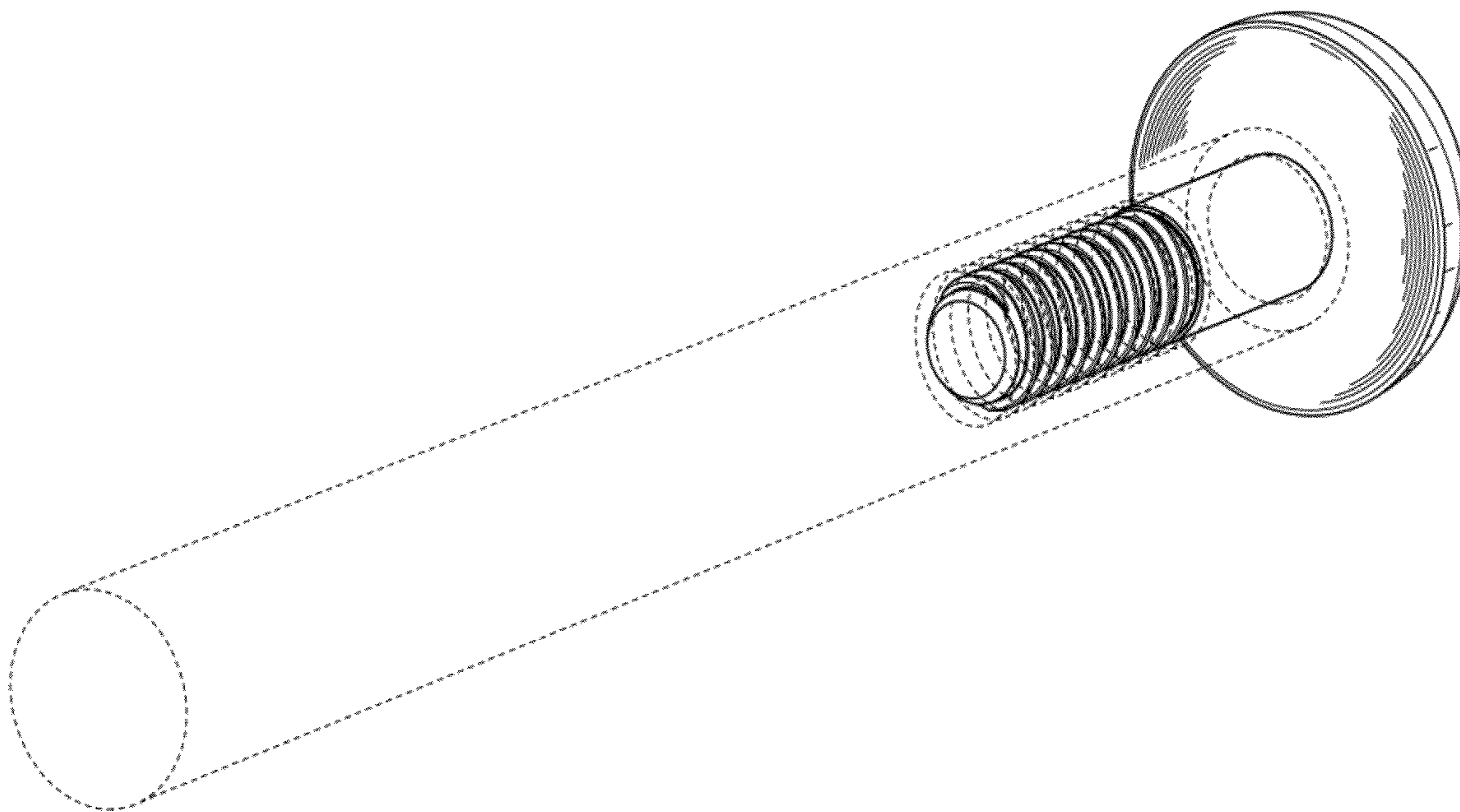
I claim the ornamental design for an arrow head, as shown and described.

DESCRIPTION

FIG. 1 is a perspective view of an arrow head, showing my new design;
FIG. 2 is a front elevational view thereof;
FIG. 3 is a rear elevational view thereof;
FIG. 4 is a left-side elevational view thereof;
FIG. 5 is a right-side elevational view thereof;
FIG. 6 is a top plan view thereof; and,
FIG. 7 is a bottom plan view thereof.

The broken lines showing an arrow shaft in FIG. 1 depict environmental matter and form no part of the claimed design.

1 Claim, 3 Drawing Sheets



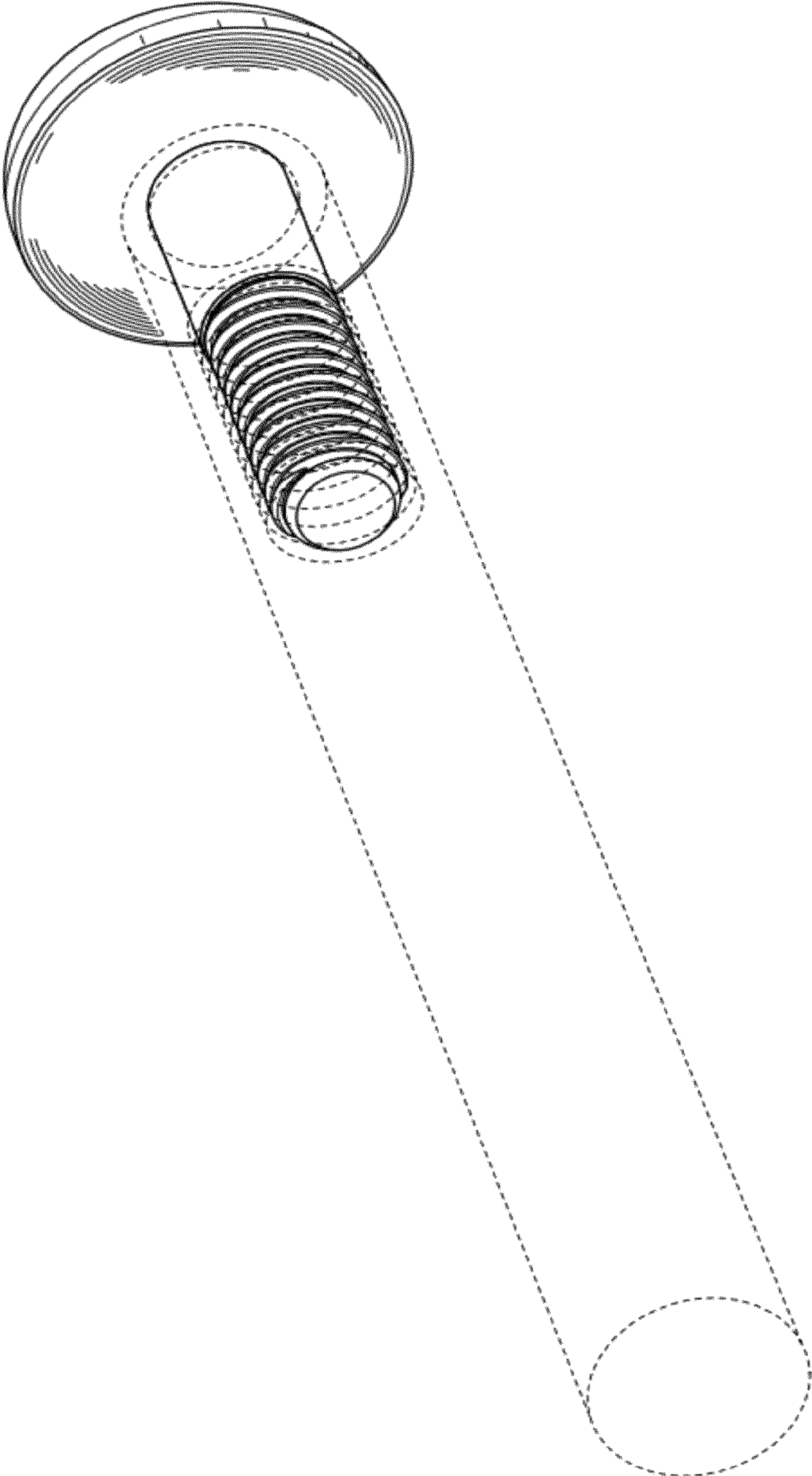


FIG. 1

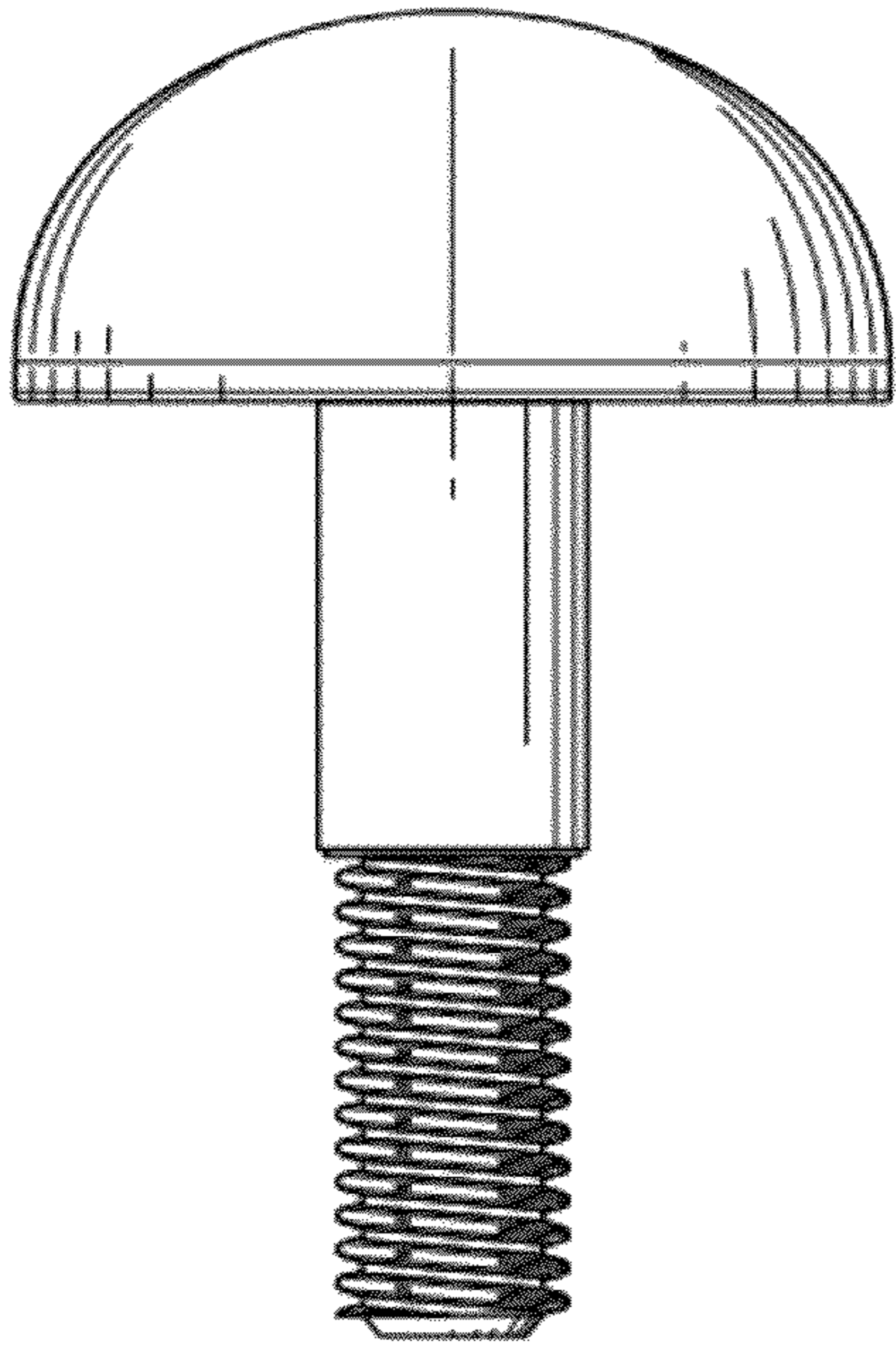


FIG. 2

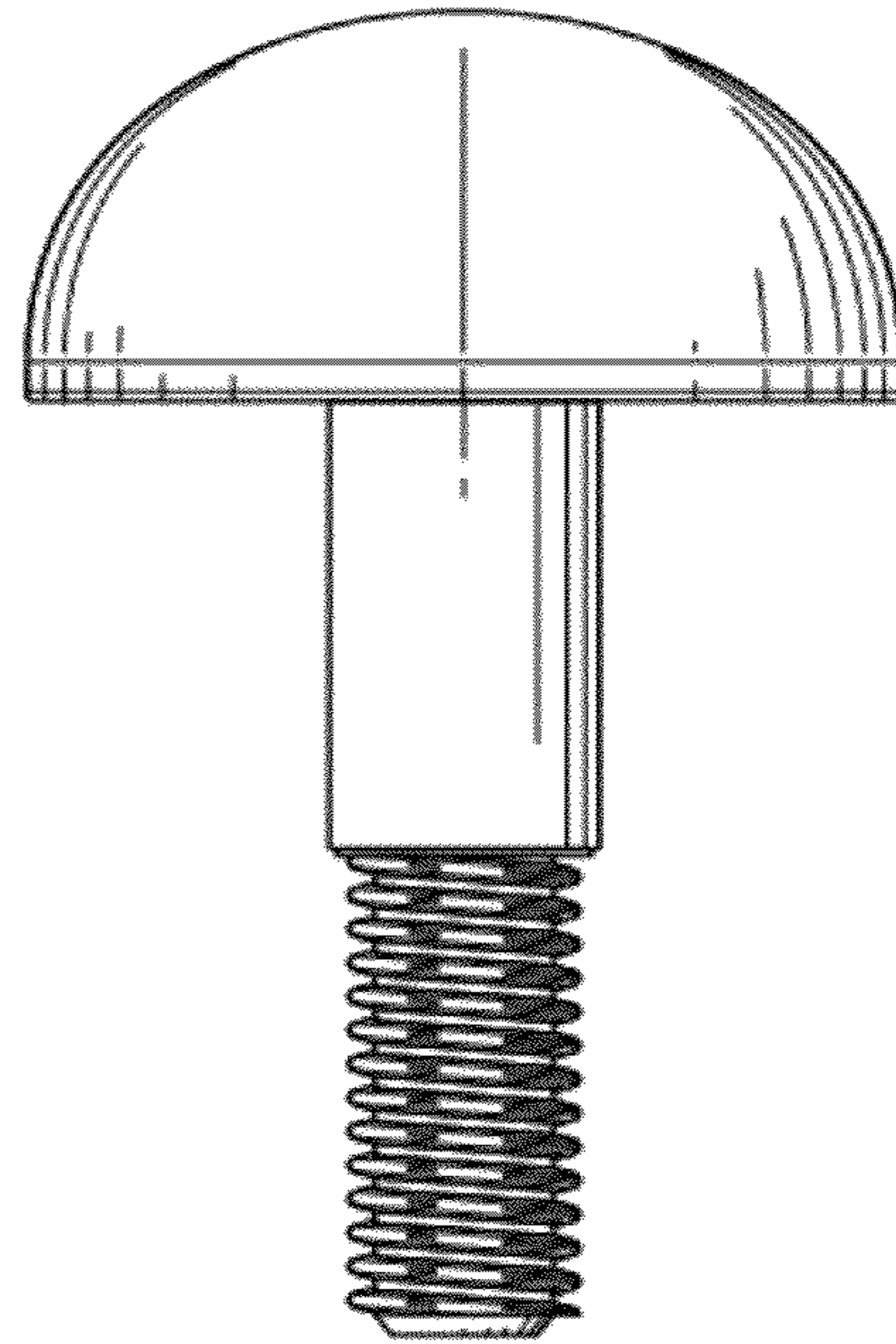


FIG. 3

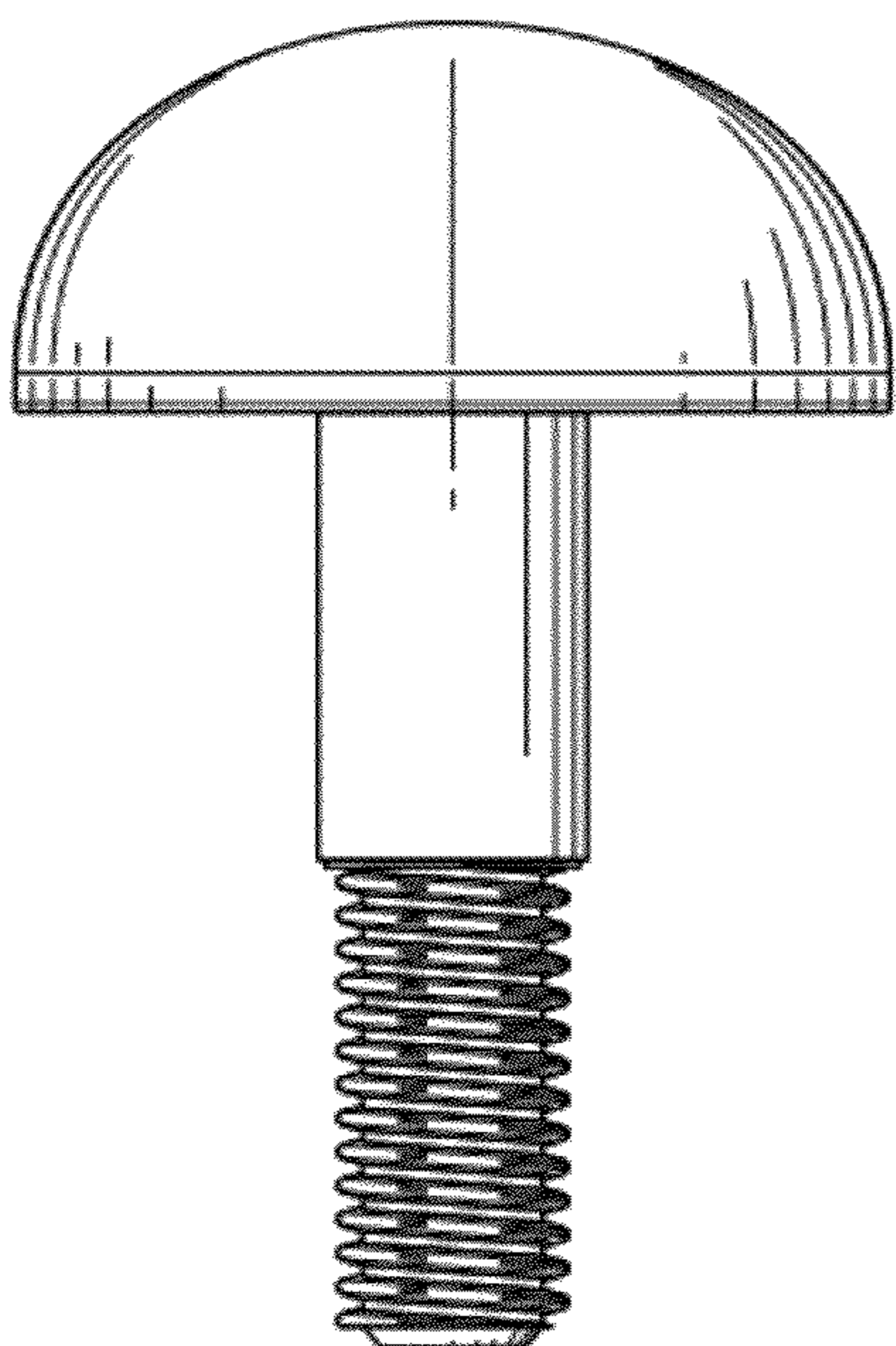


FIG. 4

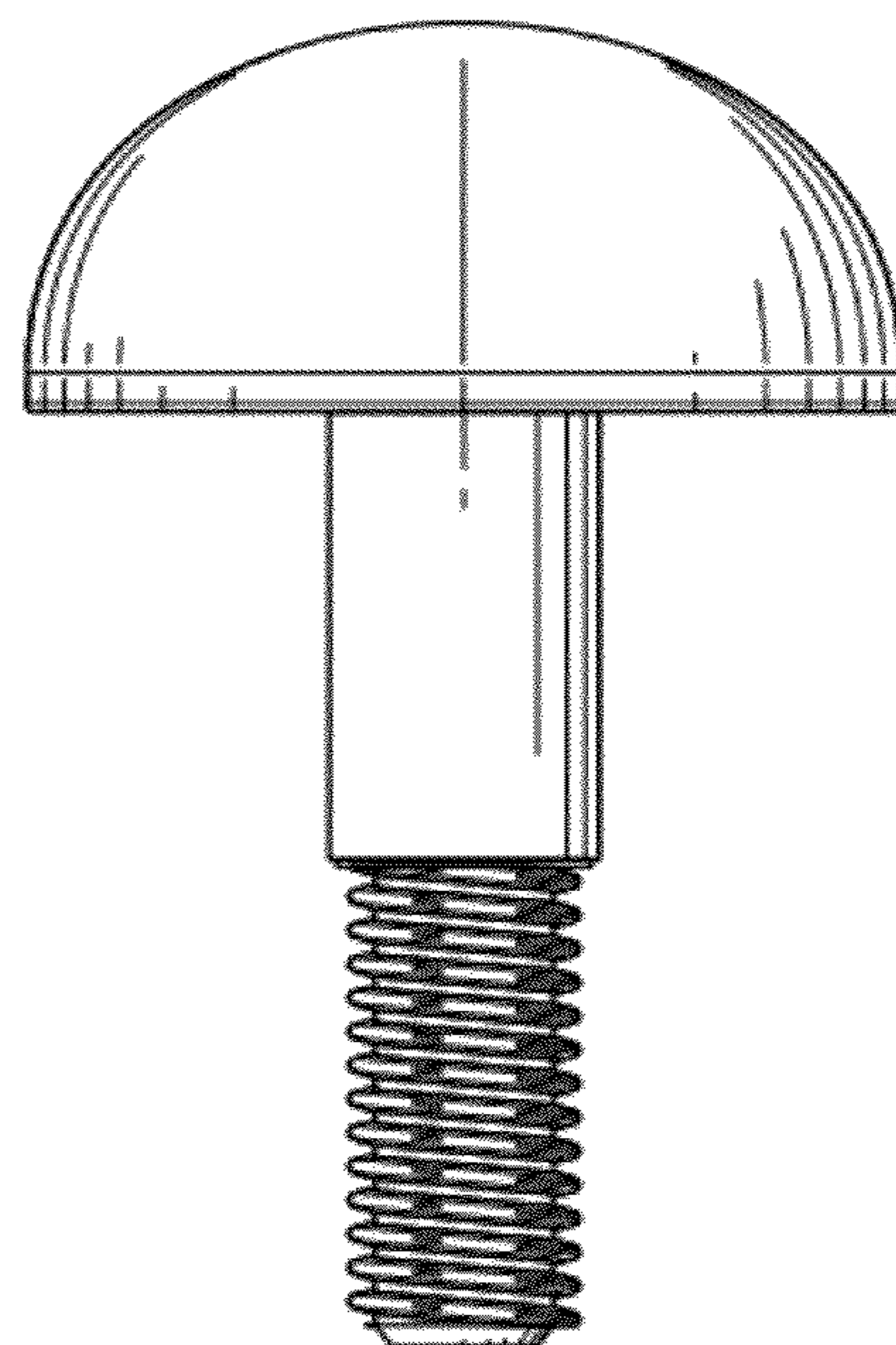


FIG. 5

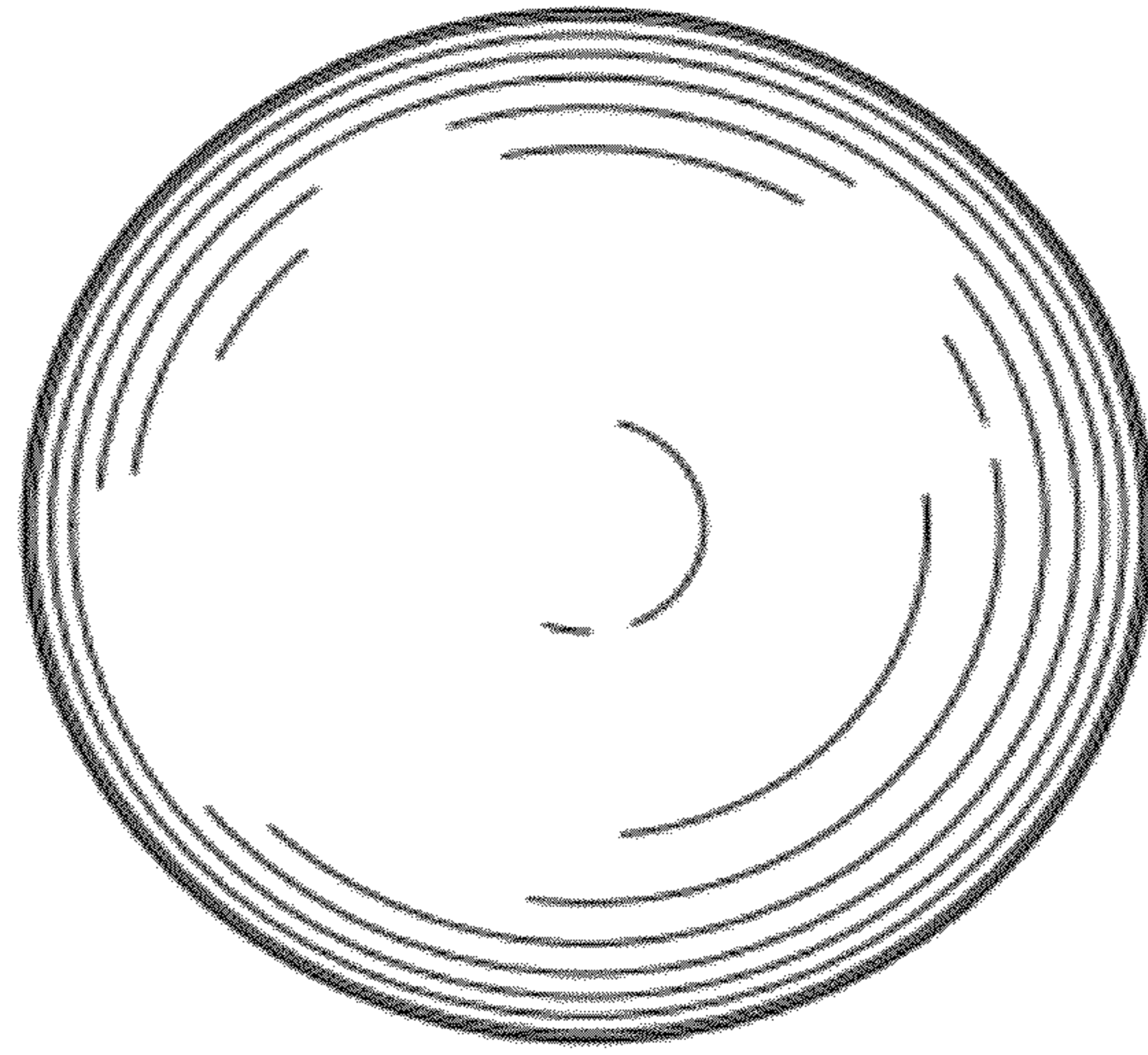


FIG. 6

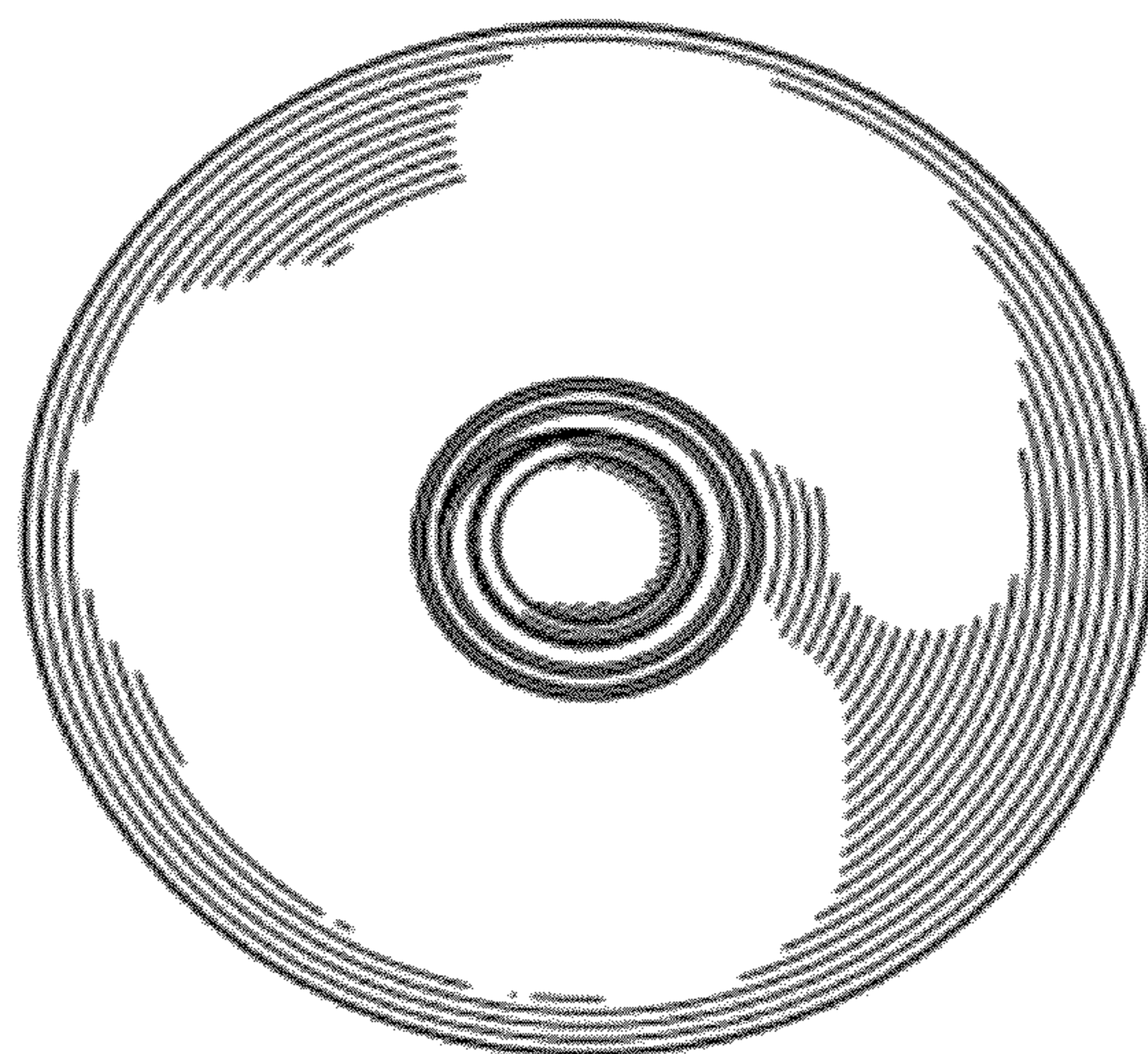


FIG. 7