



US00D659214S

(12) **United States Design Patent**
Oldknow et al.

(10) **Patent No.:** **US D659,214 S**

(45) **Date of Patent:** **** May 8, 2012**

(54) **GOLF CLUB HEAD**

(75) Inventors: **Andrew G. V. Oldknow**, Beaverton, OR
(US); **Jason Cardani**, Portland, OR
(US)

(73) Assignee: **NIKE, Inc.**, Beaverton, OR (US)

(**) Term: **14 Years**

D622,344 S * 8/2010 Oldknow et al. D21/759
D622,345 S * 8/2010 Oldknow et al. D21/759
D622,796 S 8/2010 Kadoya
D622,797 S * 8/2010 Oldknow et al. D21/759
D622,798 S * 8/2010 Oldknow et al. D21/759
D639,881 S * 6/2011 Breier et al. D21/747
D641,445 S * 7/2011 Breier et al. D21/759
D647,984 S 11/2011 Atwell et al.
D647,988 S 11/2011 Nunez et al.
D648,409 S 11/2011 Atwell et al.
2009/0239679 A1* 9/2009 Stites et al. 473/334

(21) Appl. No.: **29/409,504**

(22) Filed: **Dec. 23, 2011**

(51) **LOC (9) Cl.** **21-02**
(52) **U.S. Cl.** **D21/759**
(58) **Field of Classification Search** D21/747-751,
D21/759; 473/324-331, 350
See application file for complete search history.

OTHER PUBLICATIONS

Edwin Watts Golf Catalog, Holiday 2000, pp. 24, published Holiday 2000.
Edwin Watts Golf Catalog, Holiday 2002, pp. 27, published Holiday 2002.
Edwin Watts Golf Catalog, Jan. 2004, pp. 53, published Jan. 2004.
Edwin Watts Golf Catalog, Holiday 2004, pp. 11, published Holiday 2004.
Edwin Watts Golf Catalog, Spring 2010, pp. 21, published Spring 2010.

(56) **References Cited**

U.S. PATENT DOCUMENTS

5,395,113 A 3/1995 Antonious
D383,820 S 9/1997 Watanabe
D445,157 S 7/2001 Jones et al.
D466,961 S 12/2002 Nagai et al.
6,638,183 B2 10/2003 Takeda
D487,492 S * 3/2004 Madore et al. D21/759
D504,924 S * 5/2005 Madore et al. D21/747
D508,722 S 8/2005 Iwata et al.
D512,475 S 12/2005 Madore
D516,152 S 2/2006 Madore
D526,036 S 8/2006 Nishitani
7,220,189 B2 5/2007 Wieland et al.
D556,278 S 11/2007 Mahaffey et al.
D563,497 S 3/2008 Mahaffey et al.
7,338,387 B2 * 3/2008 Nycum et al. 473/332
D566,803 S * 4/2008 Foster et al. D21/747
D569,932 S * 5/2008 Peterman D21/748
7,399,238 B2 7/2008 Hocknell et al.
D581,000 S 11/2008 Nicolette et al.
7,473,190 B2 1/2009 Hocknell et al.
D592,260 S 5/2009 Green et al.
D592,261 S 5/2009 Green et al.
7,704,163 B2 * 4/2010 Stites et al. 473/334
D618,752 S 6/2010 Morris et al.
7,749,100 B2 * 7/2010 Tavares et al. 473/332

(Continued)

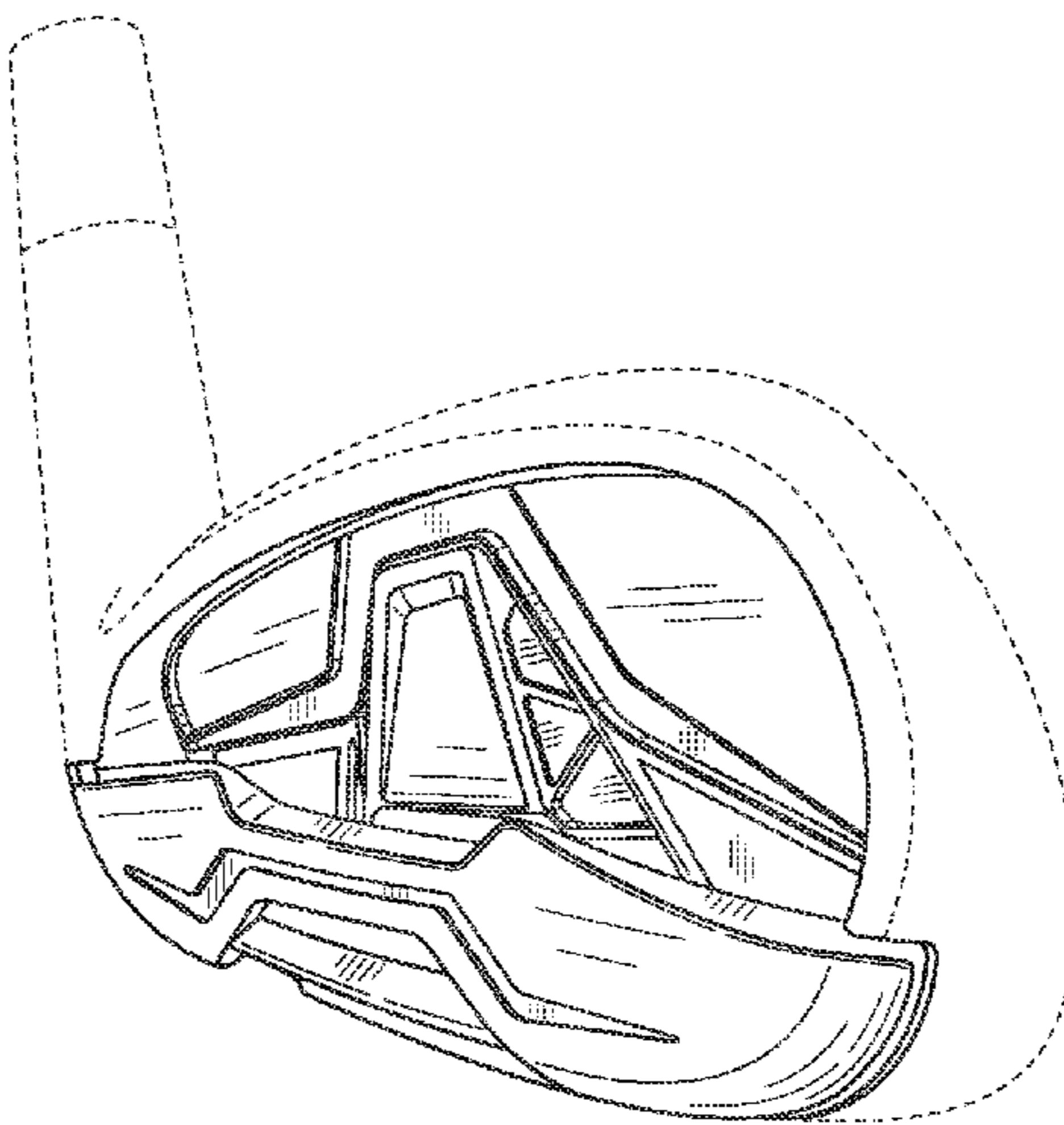
Primary Examiner — Mitchell Siegel
(74) *Attorney, Agent, or Firm* — Banner & Witcoff, Ltd.

(57) **CLAIM**
The ornamental design for a golf club head, as shown and described.

DESCRIPTION

FIG. 1 is a perspective view of a golf club head showing our new design;
FIG. 2 is a rear view thereof;
FIG. 3 is a heel end view thereof;
FIG. 4 is a toe end view thereof;
FIG. 5 is a bottom view thereof;
FIG. 6 is a top view thereof; and,
FIG. 7 is a front view thereof.
The broken lines showing the remainder of the golf club head are for environmental purposes only and form no part of the claimed design.

1 Claim, 3 Drawing Sheets



OTHER PUBLICATIONS

Edwin Watts Golf Catalog, Spring 2010, pp. 27, published Spring 2010.

Nike SQ Machespeed Irons, announcement date unknown, but prior to filing [online], [site visited Oct. 2011]. Available from Internet, <URL: <http://www.edwinwattsgolf.com>>.

Tour Edge HT Max D Irons, announcement date unknown, but prior to filing [online], [site visited Oct. 2011]. Available from Internet, <URL: <http://www.edwinwattsgolf.com>>.

* cited by examiner

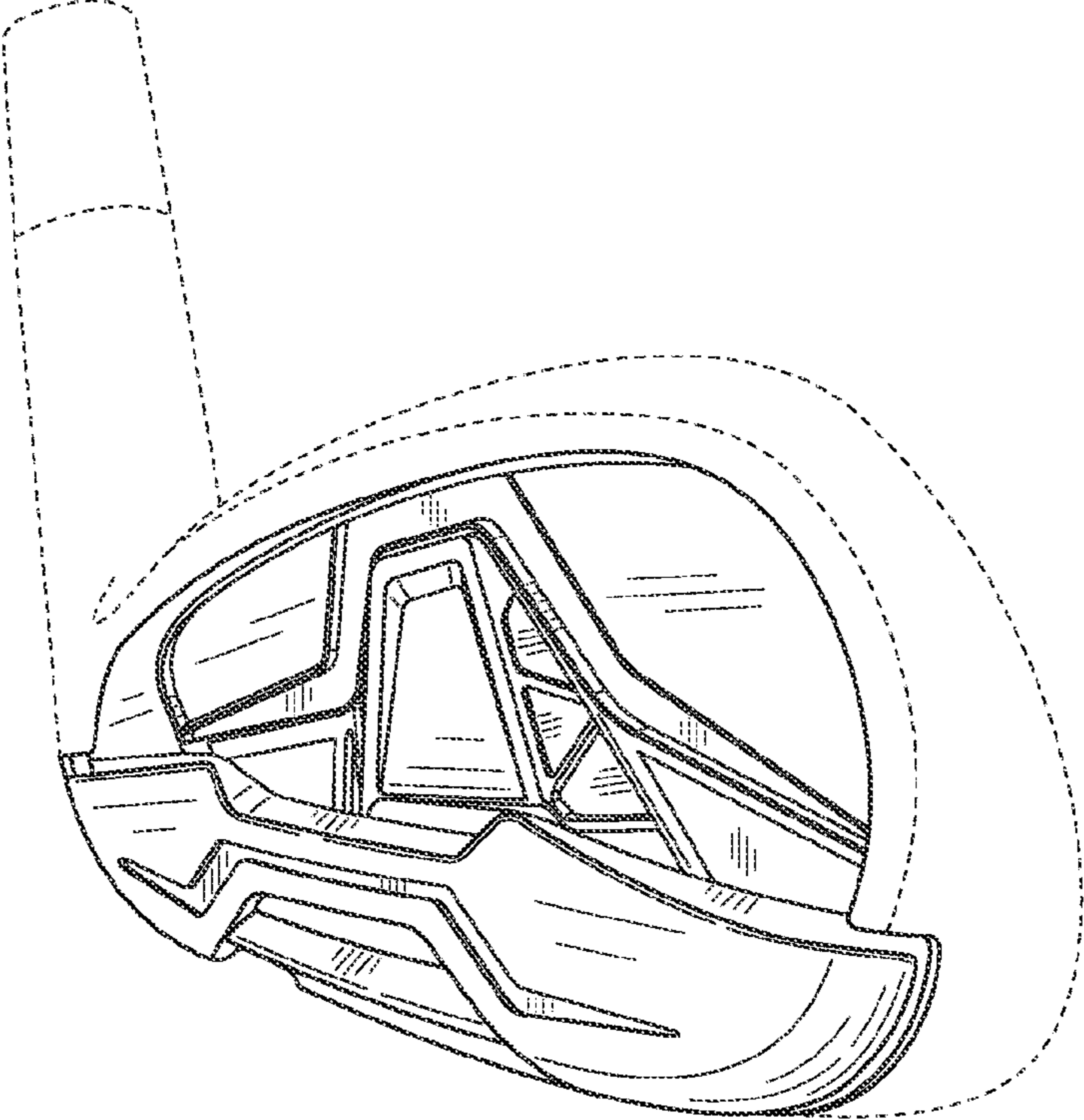


FIG. 1

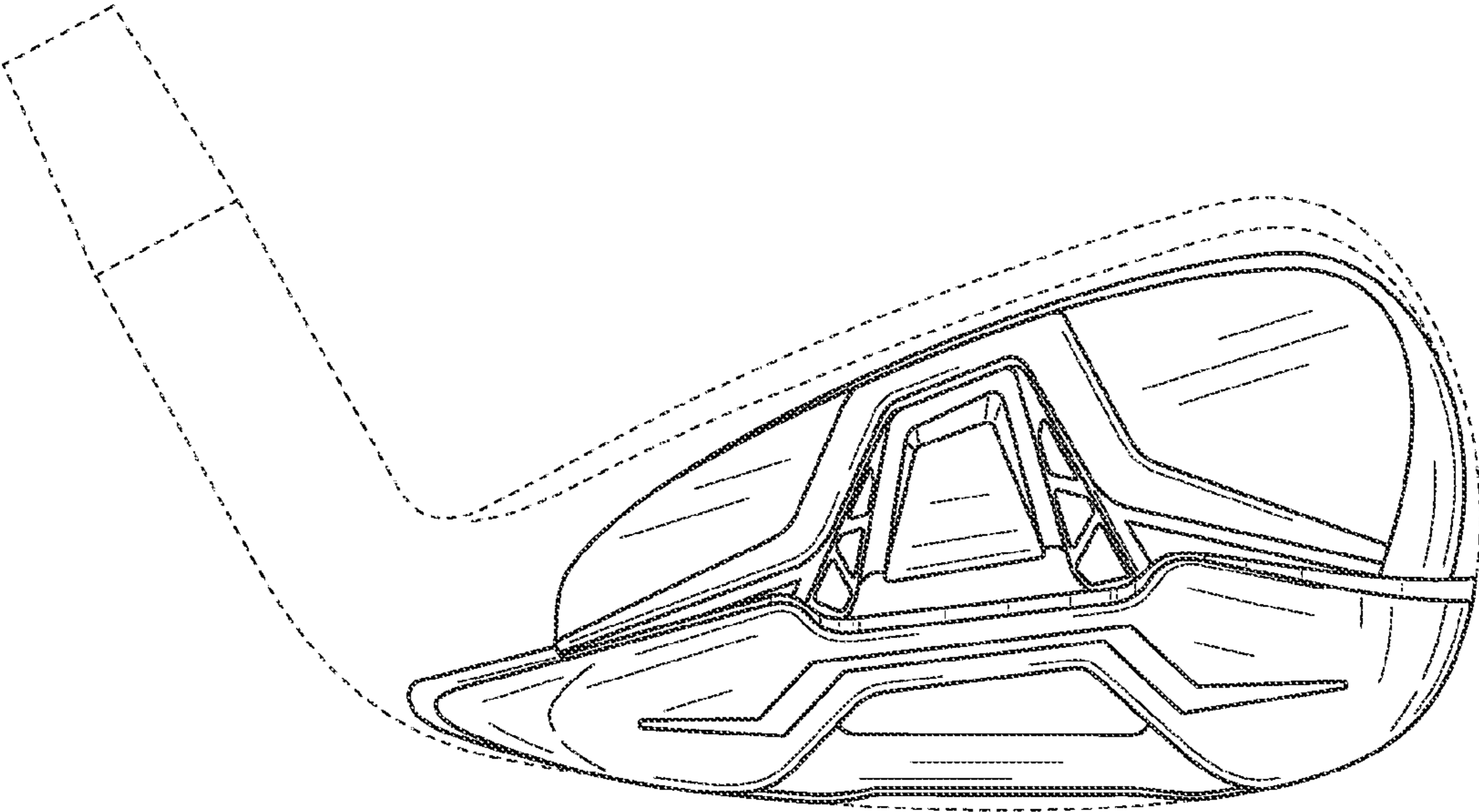


FIG. 2

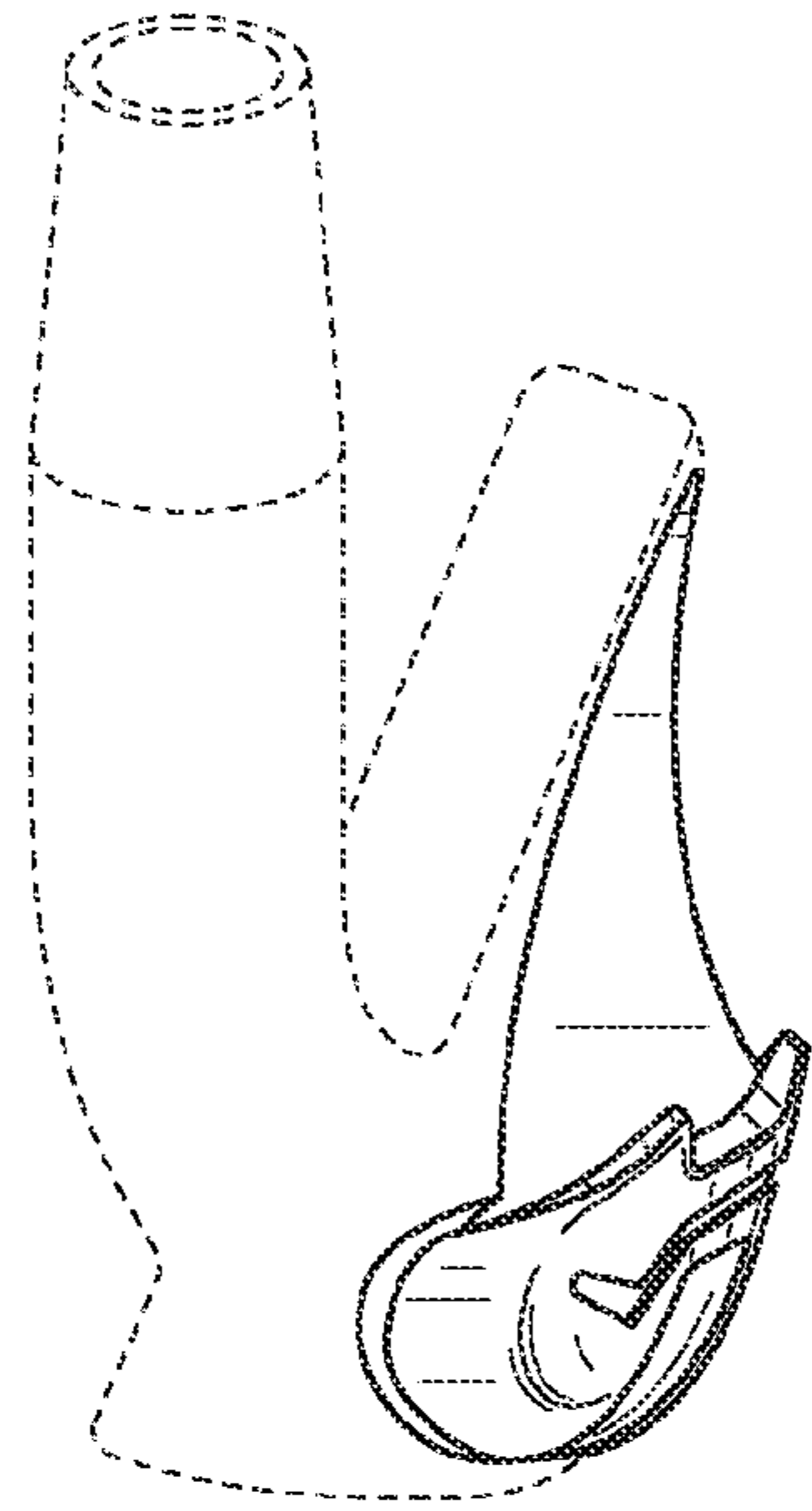


FIG. 3

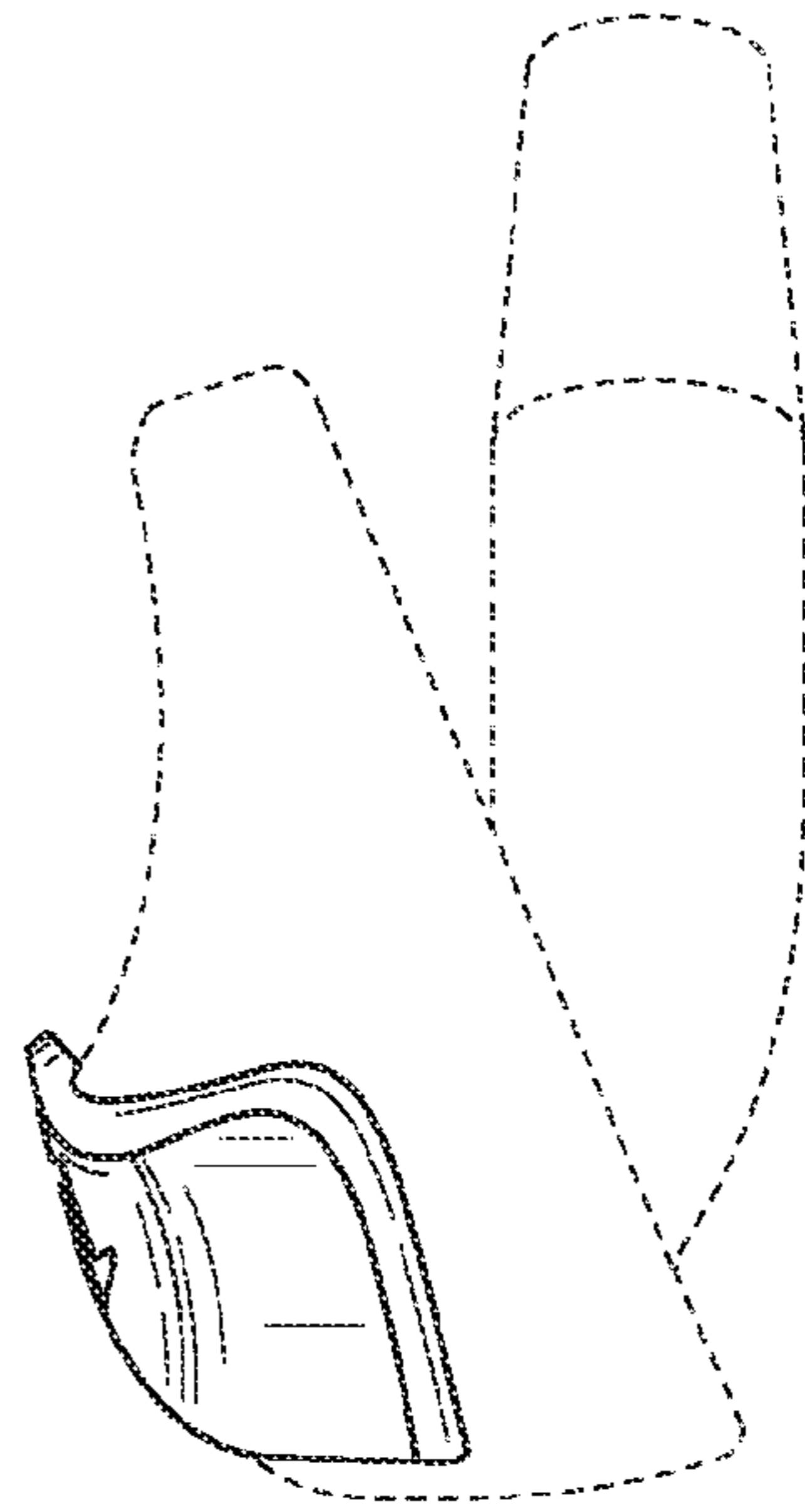


FIG. 4

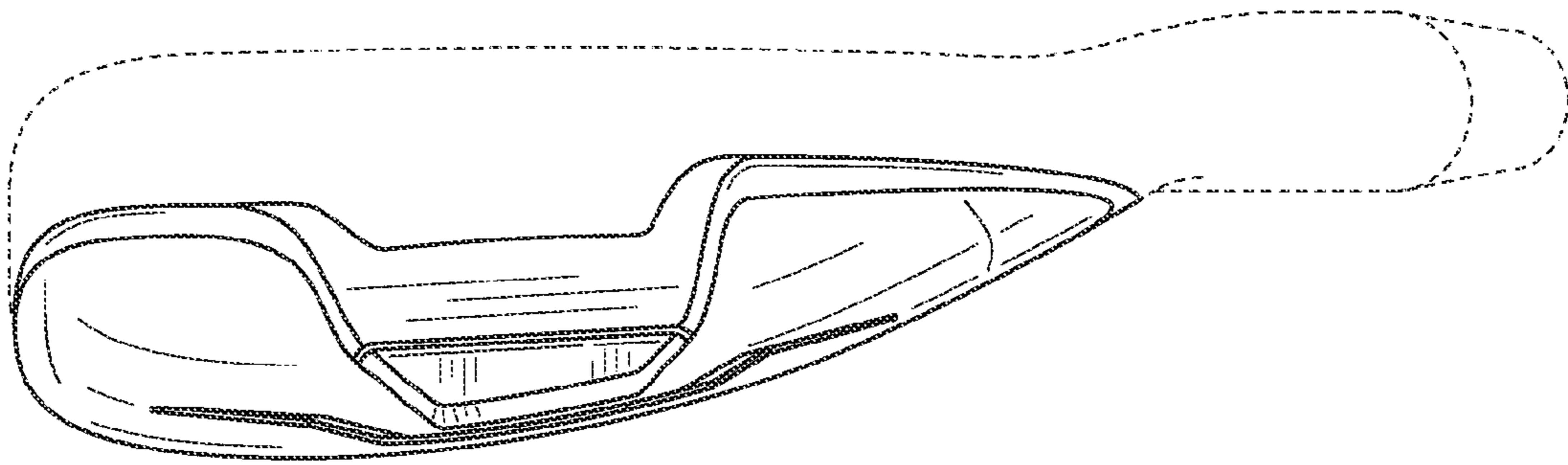


FIG. 5

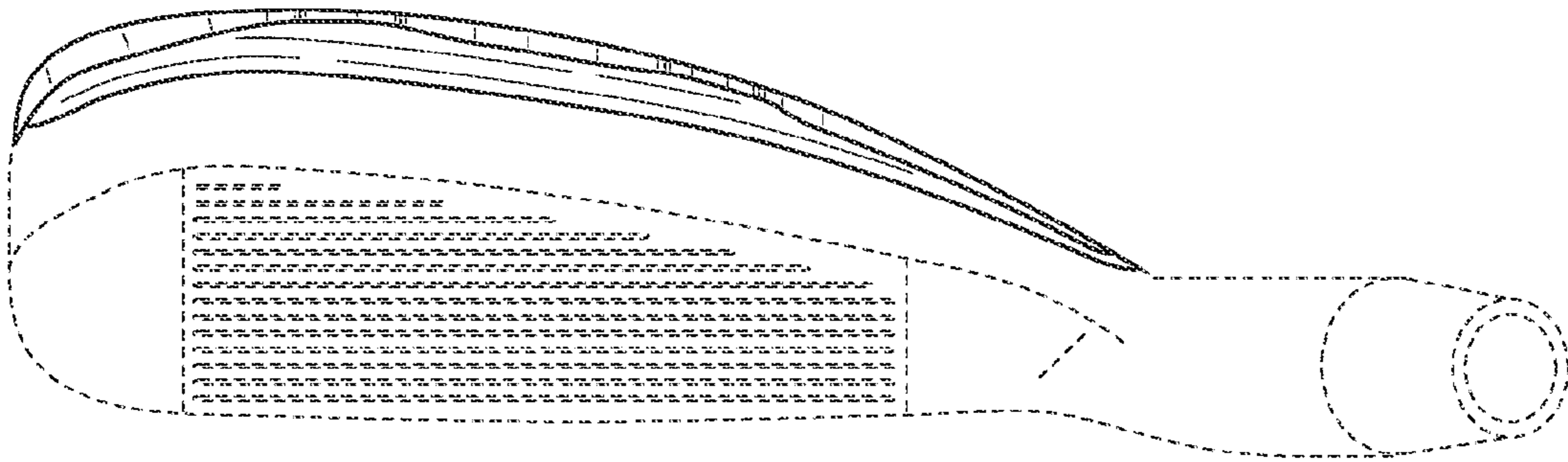


FIG. 6

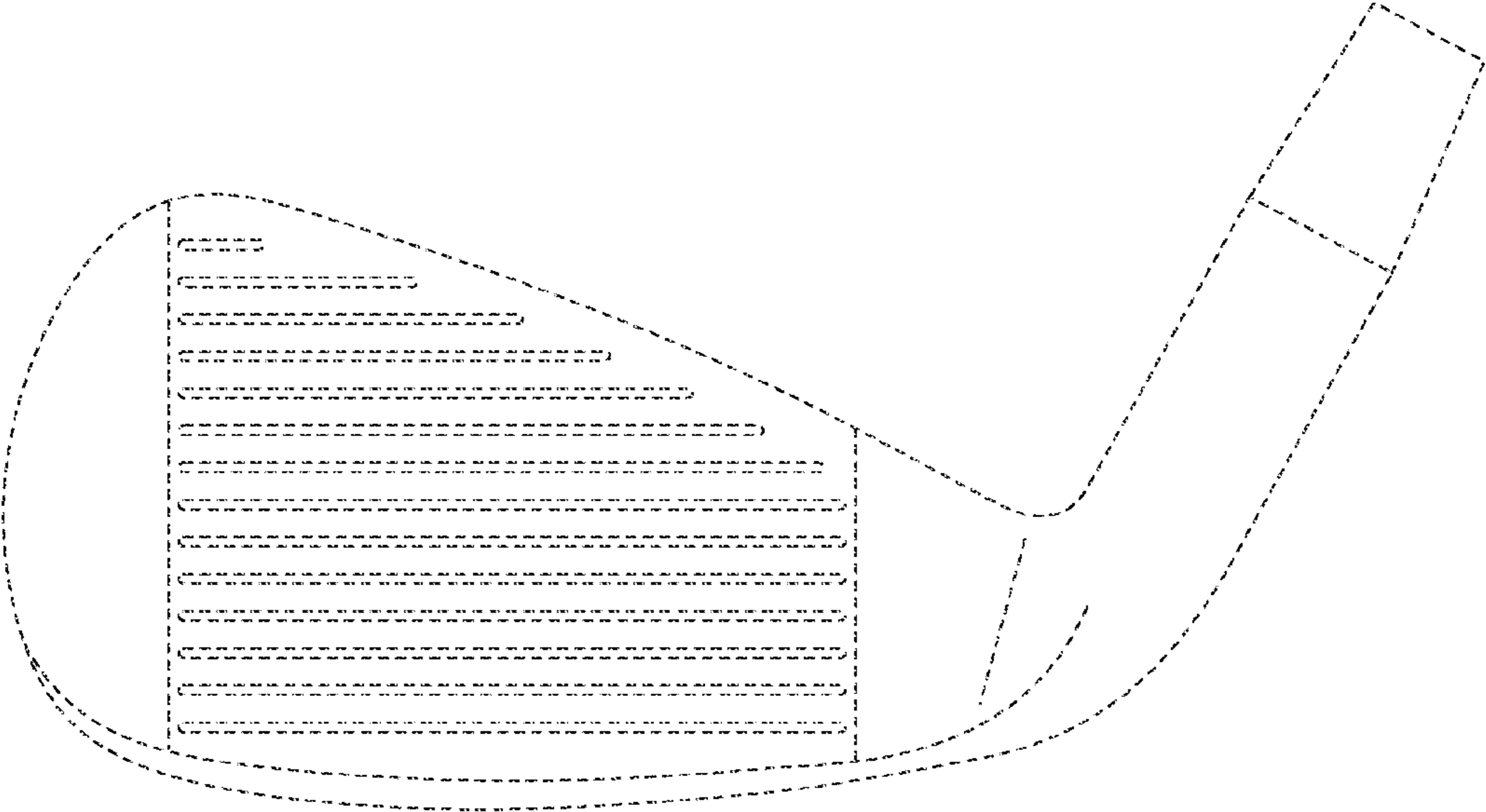


FIG. 7