



US00D659212S

(12) **United States Design Patent**
Smith et al.

(10) **Patent No.:** **US D659,212 S**

(45) **Date of Patent:** **** May 8, 2012**

(54) **SWING TRAINING WEIGHT**

(76) Inventors: **Dean E. Smith**, Tomball, TX (US); **Eric Blair**, Missouri City, TX (US); **Brant Romero**, Austin, TX (US)

(**) Term: **14 Years**

(21) Appl. No.: **29/394,875**

(22) Filed: **Jun. 22, 2011**

(51) **LOC (9) Cl.** **21-02**

(52) **U.S. Cl.** **D21/753**

(58) **Field of Classification Search** D21/725,
D21/753, 789, 791; 473/206, 457, 453, 519,
473/564-568, 437

See application file for complete search history.

(56) **References Cited**

U.S. PATENT DOCUMENTS

3,521,883	A *	7/1970	Hamilton	473/437
4,252,319	A *	2/1981	Lorang	473/206
4,621,808	A *	11/1986	Orchard et al.	482/105
4,735,873	A *	4/1988	Doundoulakis	429/49
D387,831	S *	12/1997	George	D21/753
5,954,591	A *	9/1999	Liberatore	473/206
6,010,415	A *	1/2000	Miggins	473/437
D438,585	S *	3/2001	Pelot	D21/753
D444,838	S *	7/2001	Loredo	D21/791
D485,325	S *	1/2004	Rohan-Weaver	D21/789
D500,352	S *	12/2004	Sullivan	D21/791
D523,105	S *	6/2006	Bernacchi et al.	D21/753
D590,902	S *	4/2009	De La Cruz et al.	D21/756

* cited by examiner

Primary Examiner — Mitchell Siegel

(74) *Attorney, Agent, or Firm* — QuickPatents, Inc.; Kevin Prince

(57) **CLAIM**

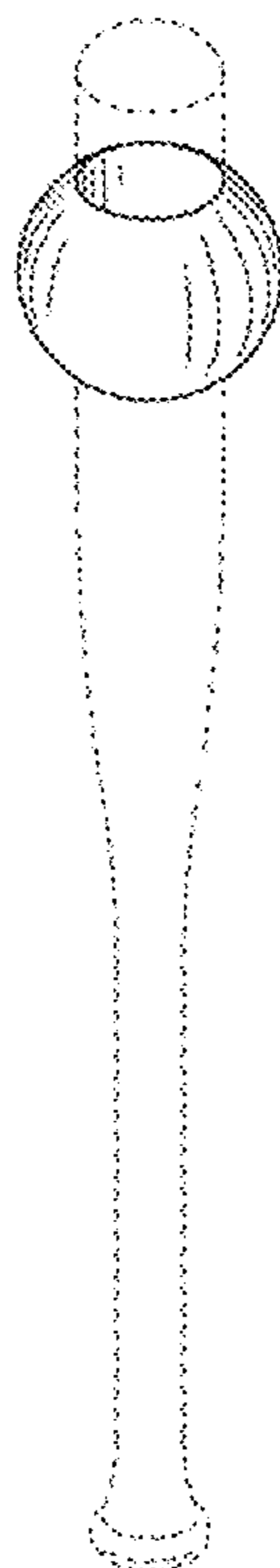
We claim the ornamental design for a swing training weight, as shown and described.

DESCRIPTION

FIG. 1 is a perspective view of a swing training weight, showing a first embodiment of our new design; FIG. 2 is a top plan view thereof; FIG. 3 is a front elevational view thereof, the rear elevational view, left-side elevational view, and right-side elevational view all being a mirror image thereof; FIG. 4 is a bottom plan view thereof; FIG. 5 is a perspective view of a second embodiment thereof; FIG. 6 is a front elevational view of FIG. 5, the bottom plan view being a mirror image thereof; FIG. 7 is a left-side elevational view of FIG. 5, the right-side elevational view being a mirror image thereof; FIG. 8 is a top plan view of FIG. 5; FIG. 9 is a bottom plan view of FIG. 5; and, FIG. 10 is a cross-sectional view of FIG. 9, taken along lines 10-10.

The broken lines showing a bat in FIG. 1 depict environmental matter and form no part of the claimed design.

1 Claim, 3 Drawing Sheets



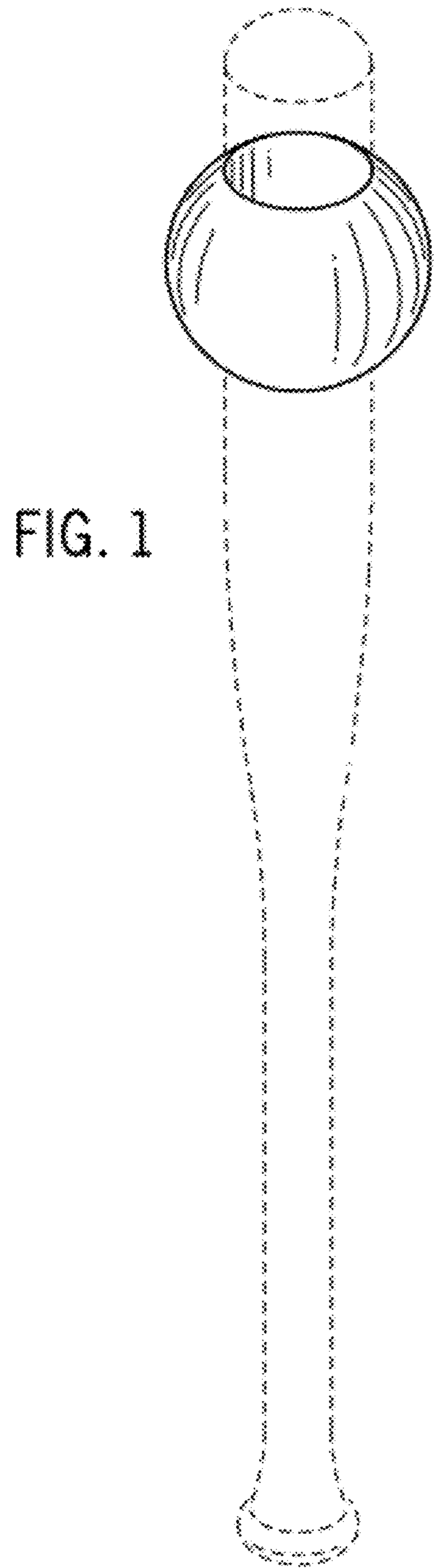


FIG. 2

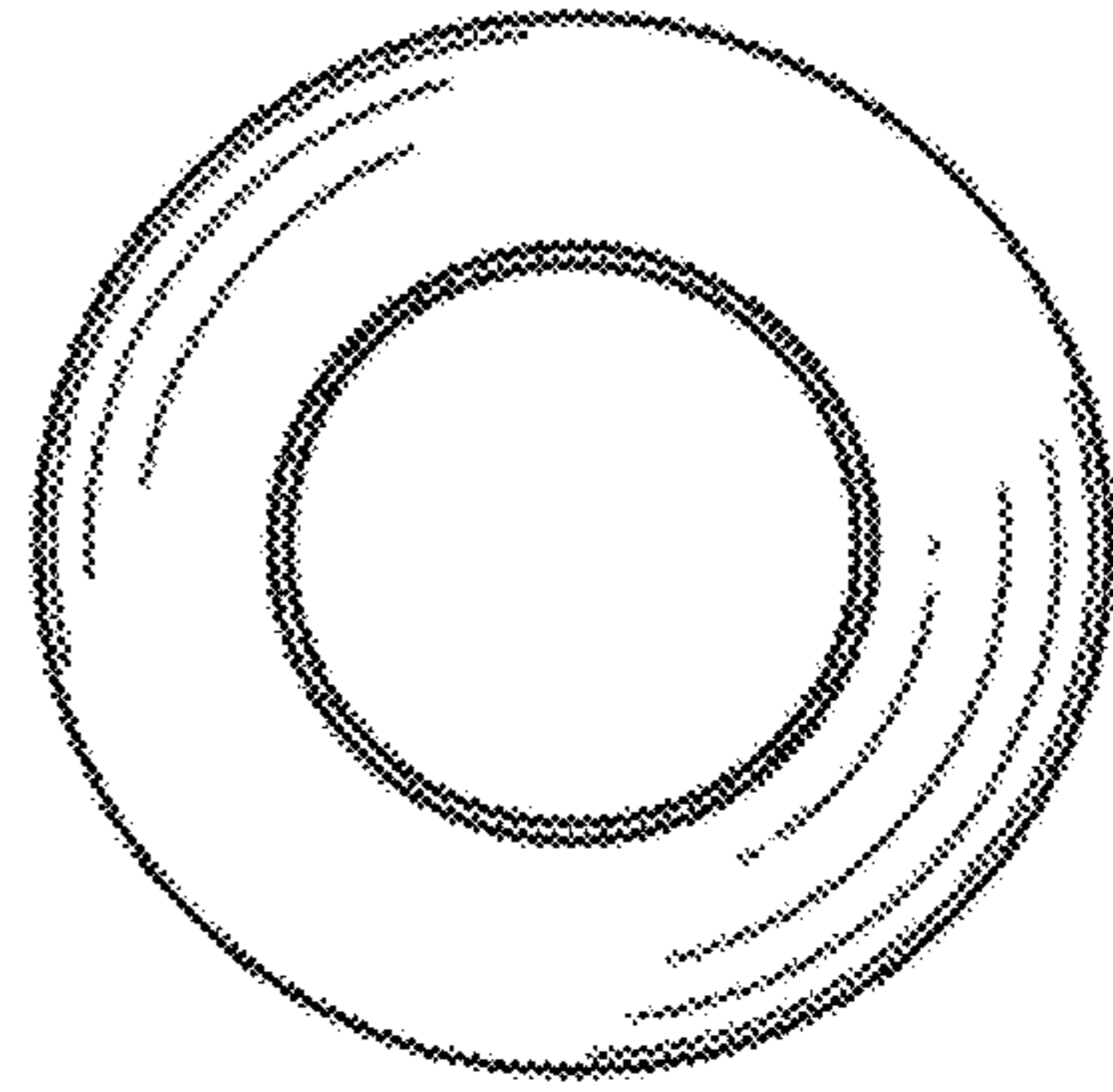


FIG. 3

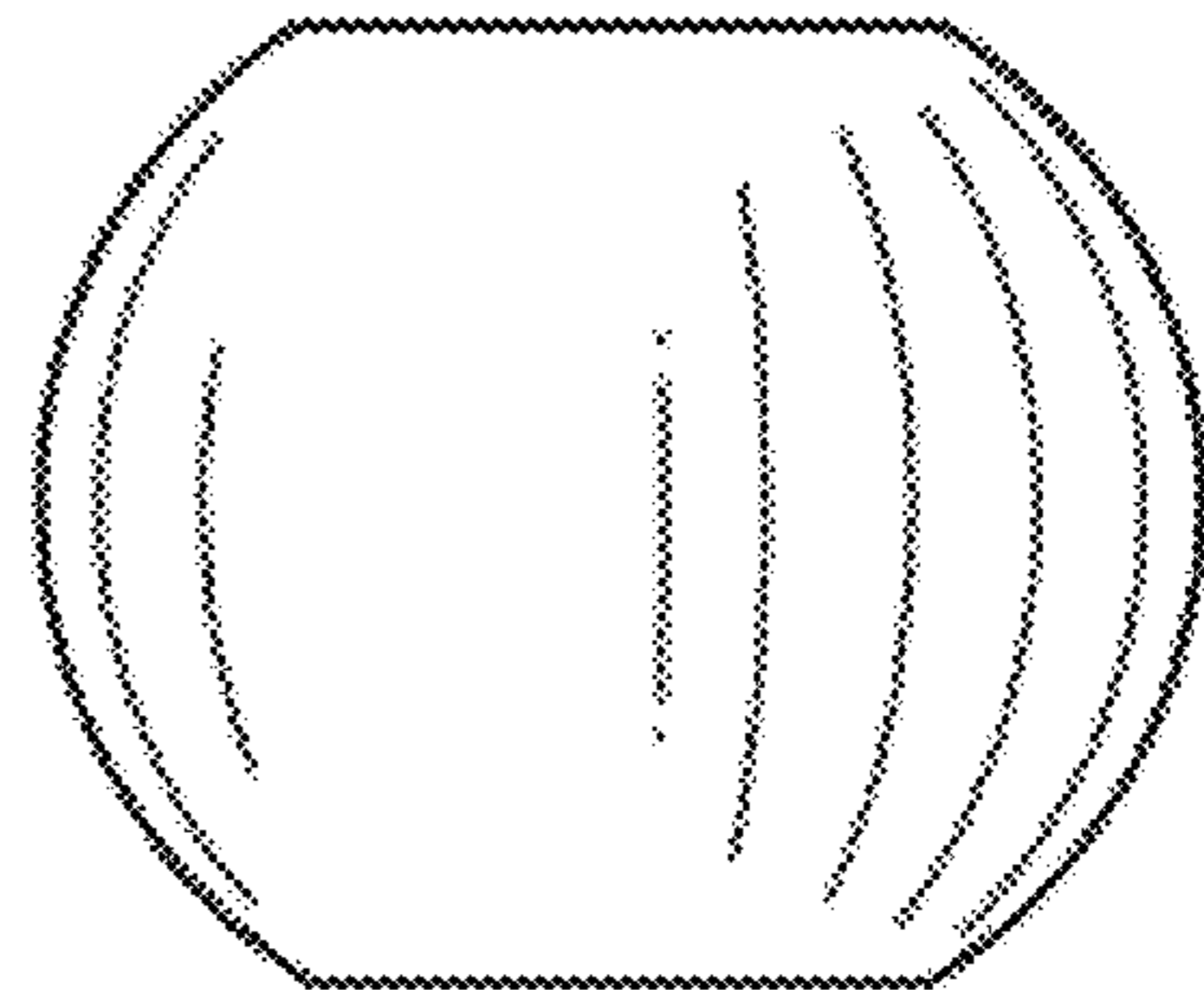
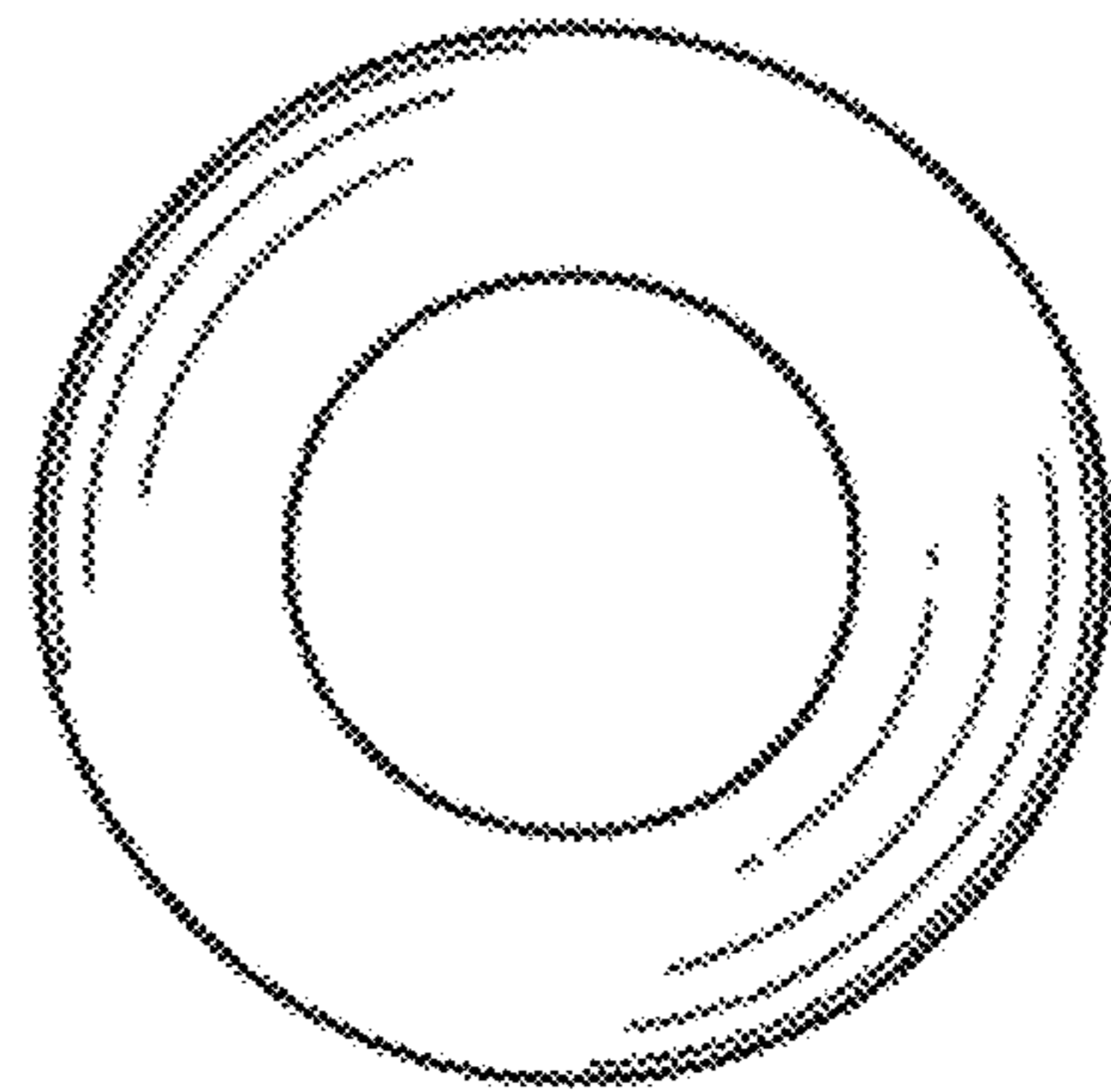


FIG. 4



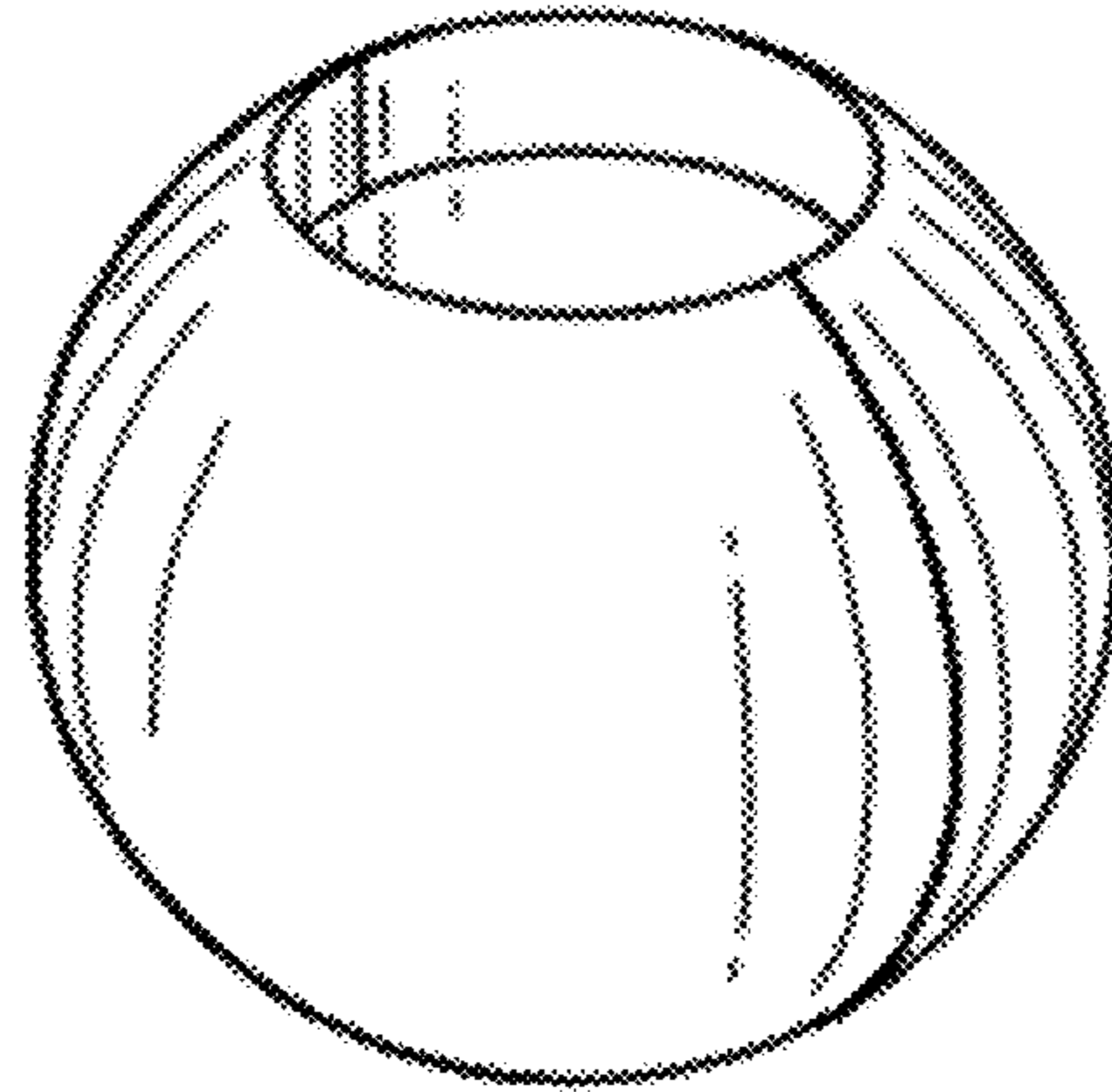


FIG. 5

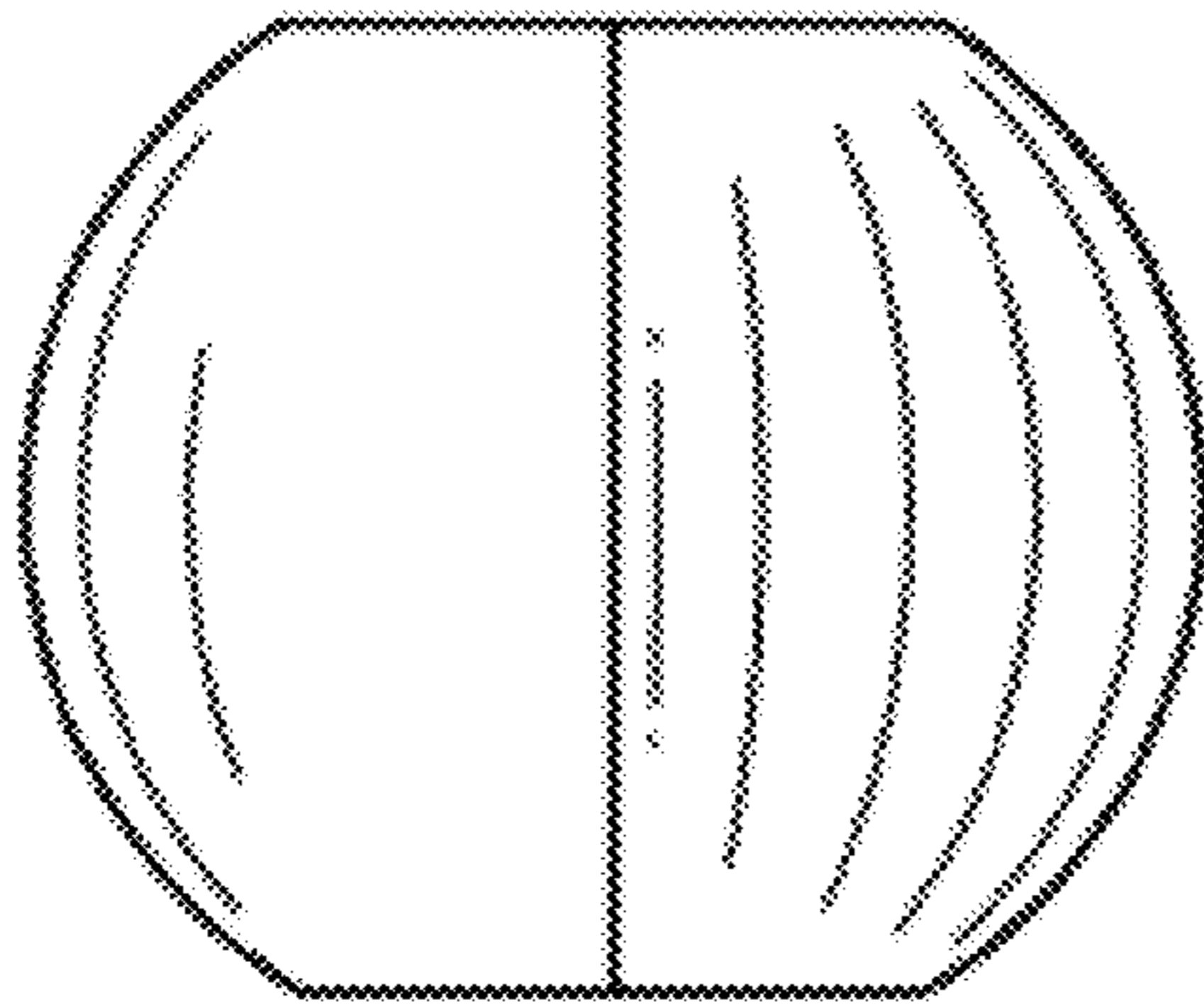


FIG. 6

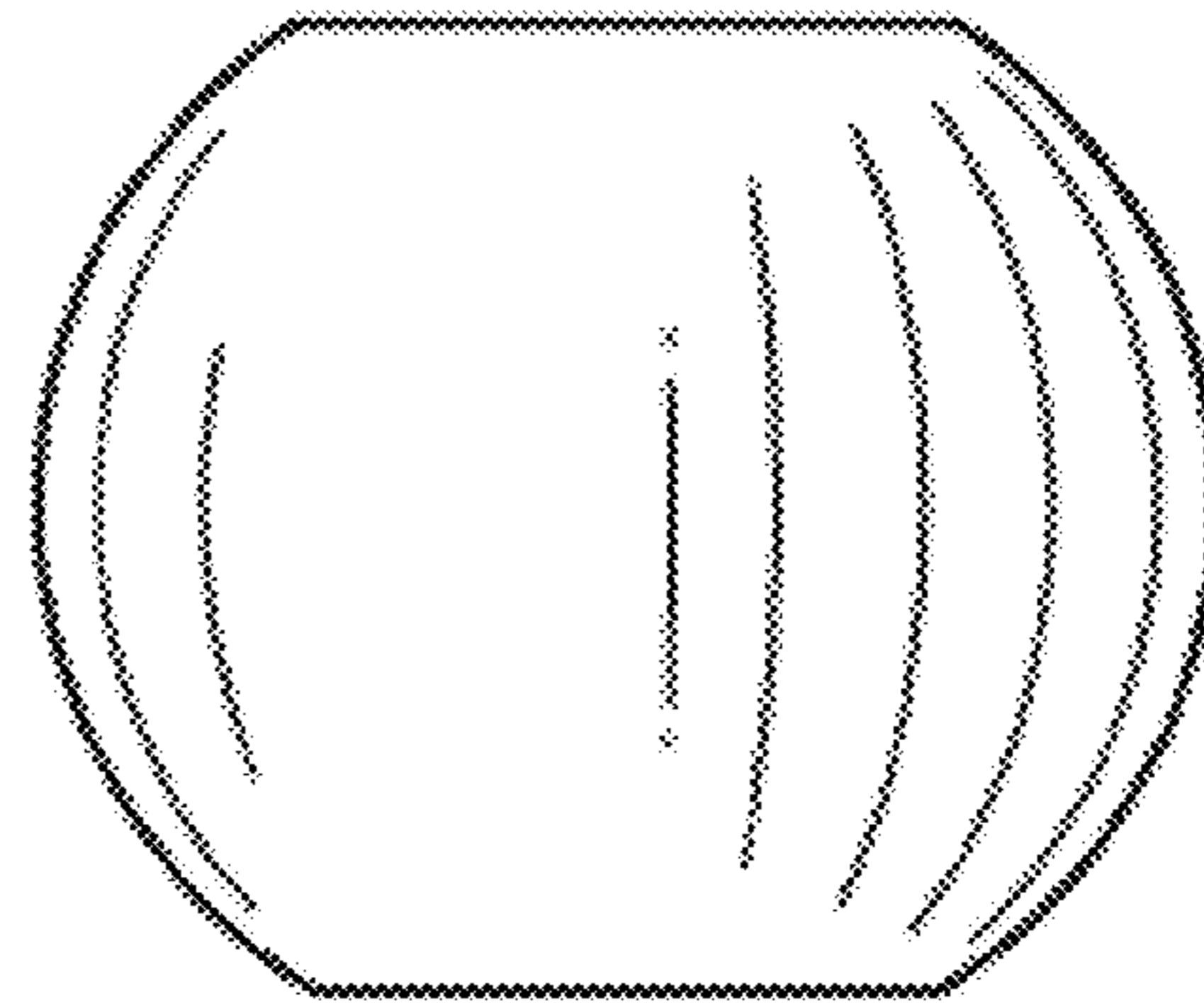


FIG. 7

FIG. 8

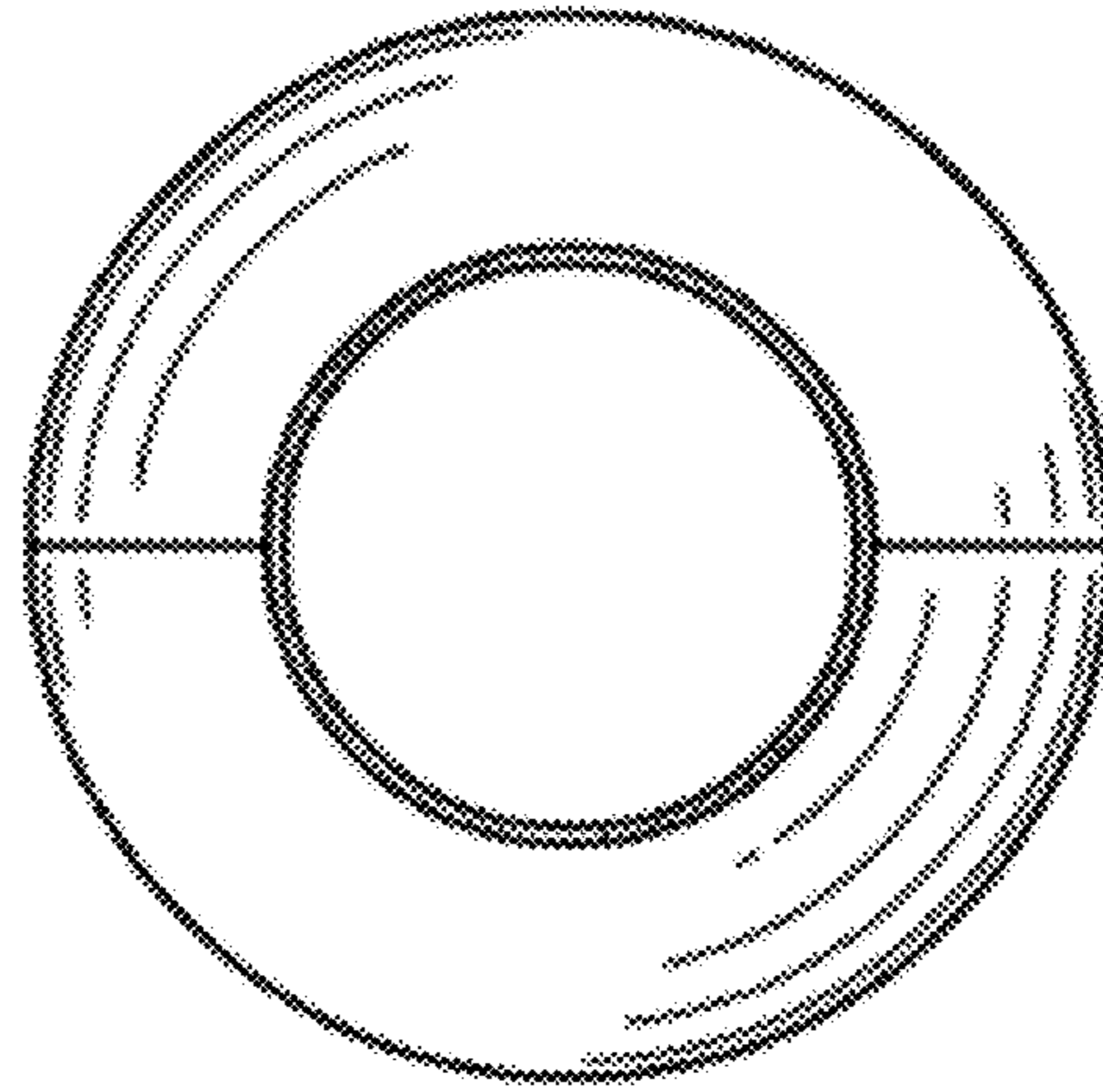


FIG. 9

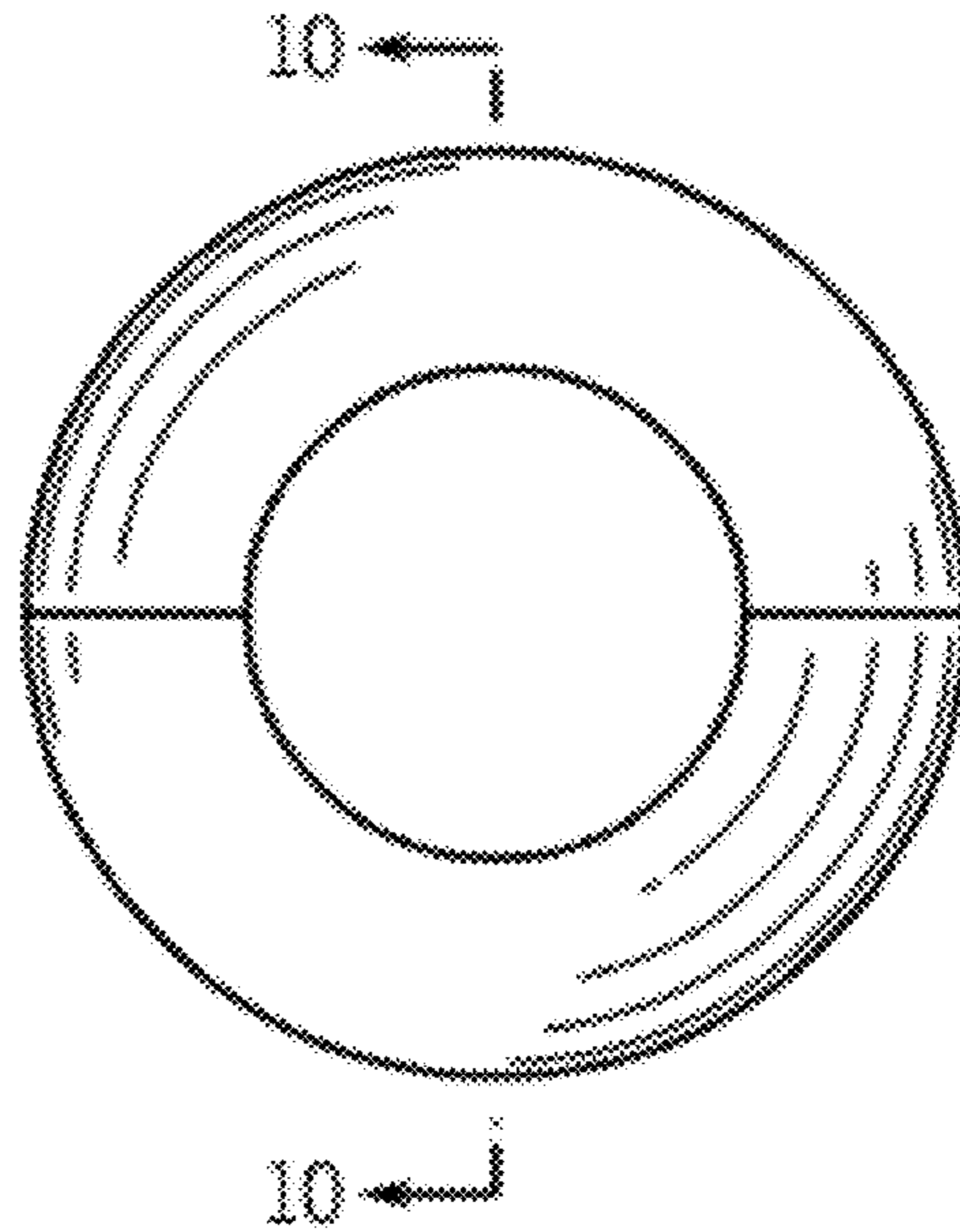


FIG. 10

