



US00D659208S

(12) **United States Design Patent**
Savarino et al.

(10) **Patent No.:** **US D659,208 S**

(45) **Date of Patent:** **** May 8, 2012**

(54) **REFORMER EXERCISE APPARATUS
FOOTBAR**

(75) Inventors: **Christopher J. Savarino**, Sacramento, CA (US); **Brian Masterson**, Placerville, CA (US); **Elger Oberwelz**, San Francisco, CA (US); **James R. Yurchenco**, Palo Alto, CA (US); **Anthony Patron**, Mountain View, CA (US); **Thomas Dieter Christian Overthun**, San Francisco, CA (US); **Joerg Student**, San Francisco, CA (US); **David Webster**, San Mateo, CA (US); **Jennifer Ellen Davis-Wilson**, Mountain View, CA (US)

(73) Assignee: **Balanced Body, Inc.**, Sacramento, CA (US)

(**) Term: **14 Years**

(21) Appl. No.: **29/397,259**

(22) Filed: **Jul. 13, 2011**

(51) **LOC (9) Cl.** **21-02**

(52) **U.S. Cl.** **D21/694**

(58) **Field of Classification Search** D21/662, D21/671, 673, 674, 676, 686, 690, 691, 693, D21/694; 482/72, 92, 95-96, 121-123, 130, 482/140-142; D6/361, 368, 487, 499, 549
See application file for complete search history.

(56) **References Cited**

U.S. PATENT DOCUMENTS

2,666,640	A	*	1/1954	Jennings, Sr.	482/141
D265,575	S	*	7/1982	Lunford	D21/691
D301,361	S	*	5/1989	Harlan	D21/691
D341,725	S	*	11/1993	Piper	D6/361
D346,280	S	*	4/1994	Metter	D6/368
D354,781	S	*	1/1995	Endelman	D21/694

D480,773	S	*	10/2003	Suchanek et al.	D21/694
6,926,650	B2	*	8/2005	Endelman et al.	482/121
7,288,054	B2	*	10/2007	Endelman et al.	482/142
D613,353	S	*	4/2010	Bulva et al.	D21/694
2007/0281839	A1	*	12/2007	Lin et al.	482/140
2010/0022364	A1	*	1/2010	Bocchicchio	482/96

* cited by examiner

Primary Examiner — Susan E Krakower

(74) *Attorney, Agent, or Firm* — Greenberg Traurig, LLP

(57) **CLAIM**

The ornamental design for a reformer exercise apparatus footbar, as shown and described.

DESCRIPTION

This design application is related to U.S. patent application Ser. No. 13/181,707, entitled Reformer Exercise Apparatus, filed on even date herewith.

FIG. 1 is an upper perspective view of our new reformer exercise apparatus incorporating our new footbar design. The broken lines show portions illustrating environmental structure of the footbar that form no part of the claimed design.

FIG. 2 is a head end elevational view of our new reformer exercise apparatus incorporating our new footbar design. The broken lines show portions illustrating environmental structure of the reformer that form no part of the claimed design.

FIG. 3 is a rear end elevational view of the reformer exercise apparatus shown in FIG. 1. The broken lines show portions illustrating environmental structure of the reformer that form no part of the claimed design.

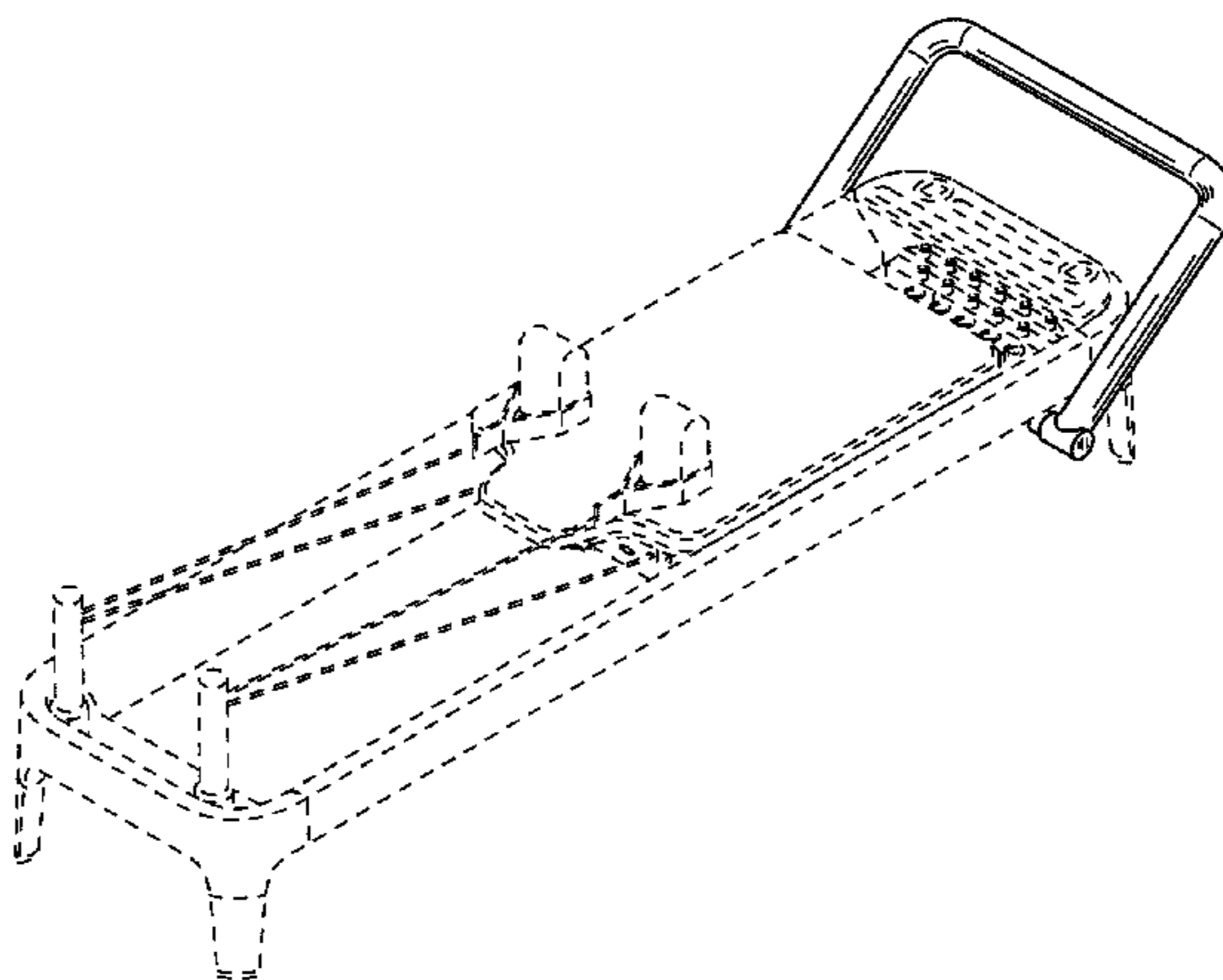
FIG. 4 is a right side elevational view of the reformer exercise apparatus shown in FIG. 1. The broken lines show portions illustrating environmental structure of the reformer that form no part of the claimed design.

FIG. 5 is a left side elevational view of the reformer exercise apparatus shown in FIG. 1. The broken lines show portions illustrating environmental structure of the reformer that form no part of the claimed design.

FIG. 6 is a top plan view of the reformer exercise apparatus shown in FIG. 1. The broken lines show portions illustrating environmental structure of the reformer that form no part of the claimed design; and,

FIG. 7 is a bottom plan view of the reformer exercise apparatus shown in FIG. 1. The broken lines show portions illustrating environmental structure of the reformer that form no part of the claimed design.

1 Claim, 5 Drawing Sheets



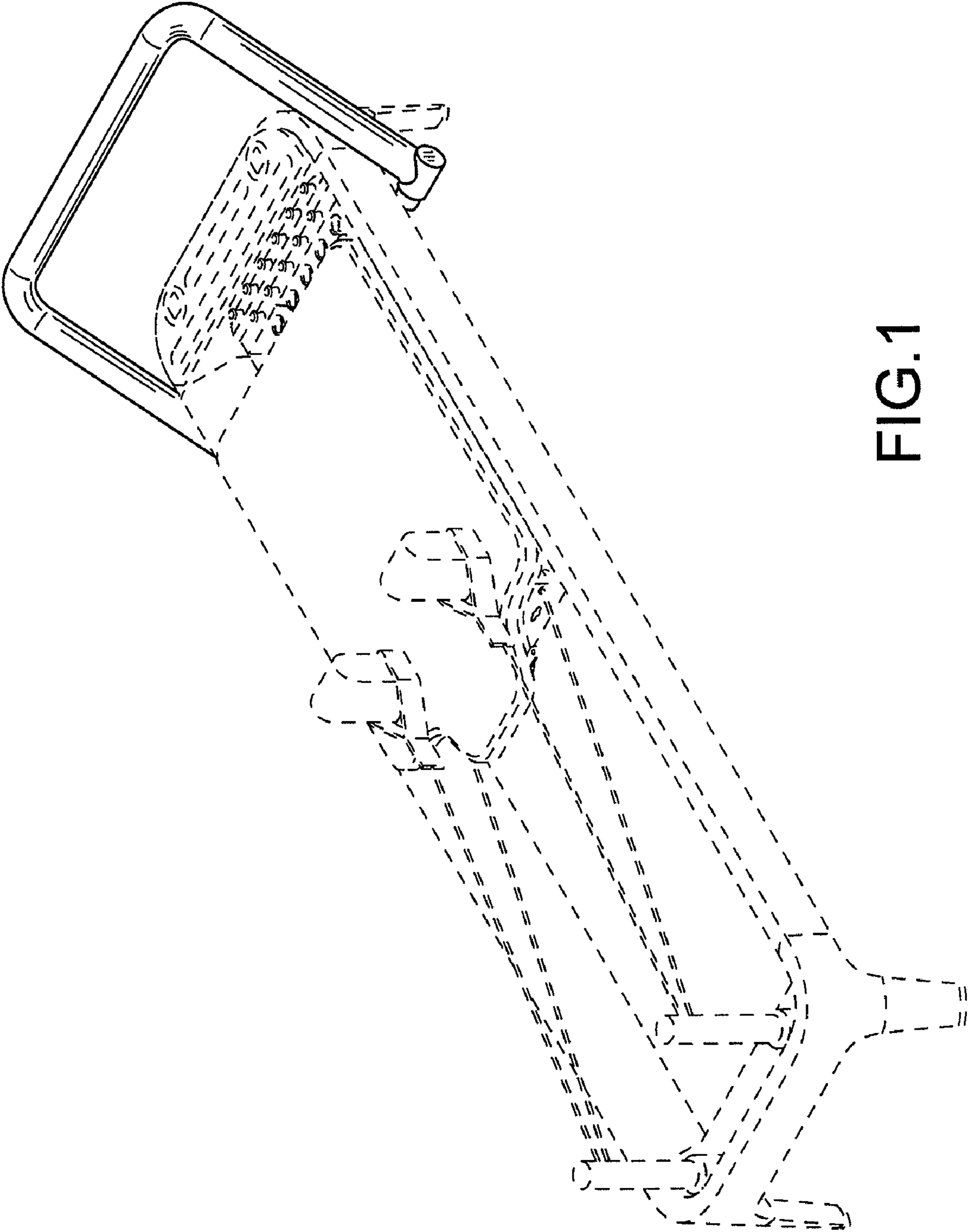


FIG.1

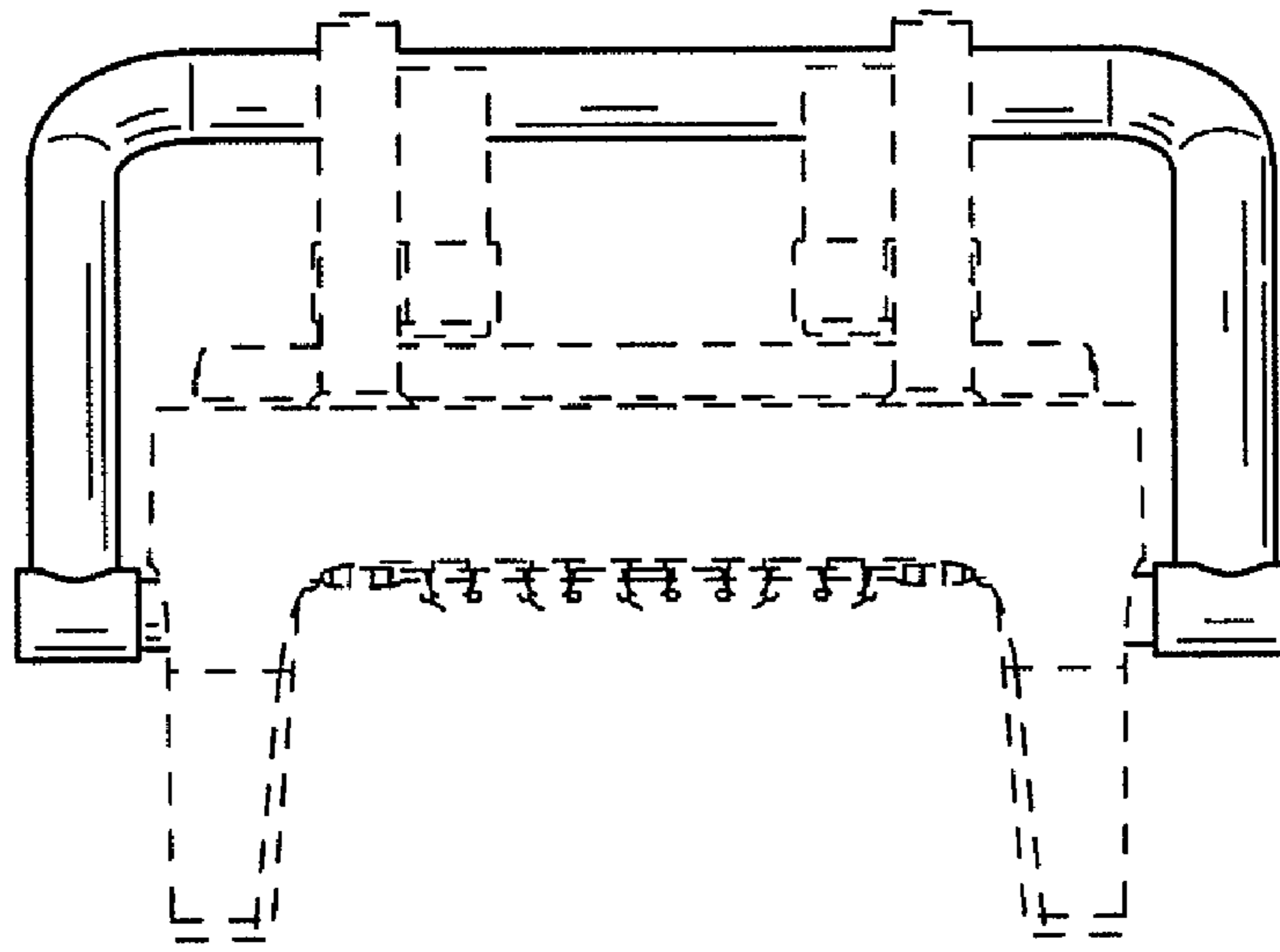


FIG. 2

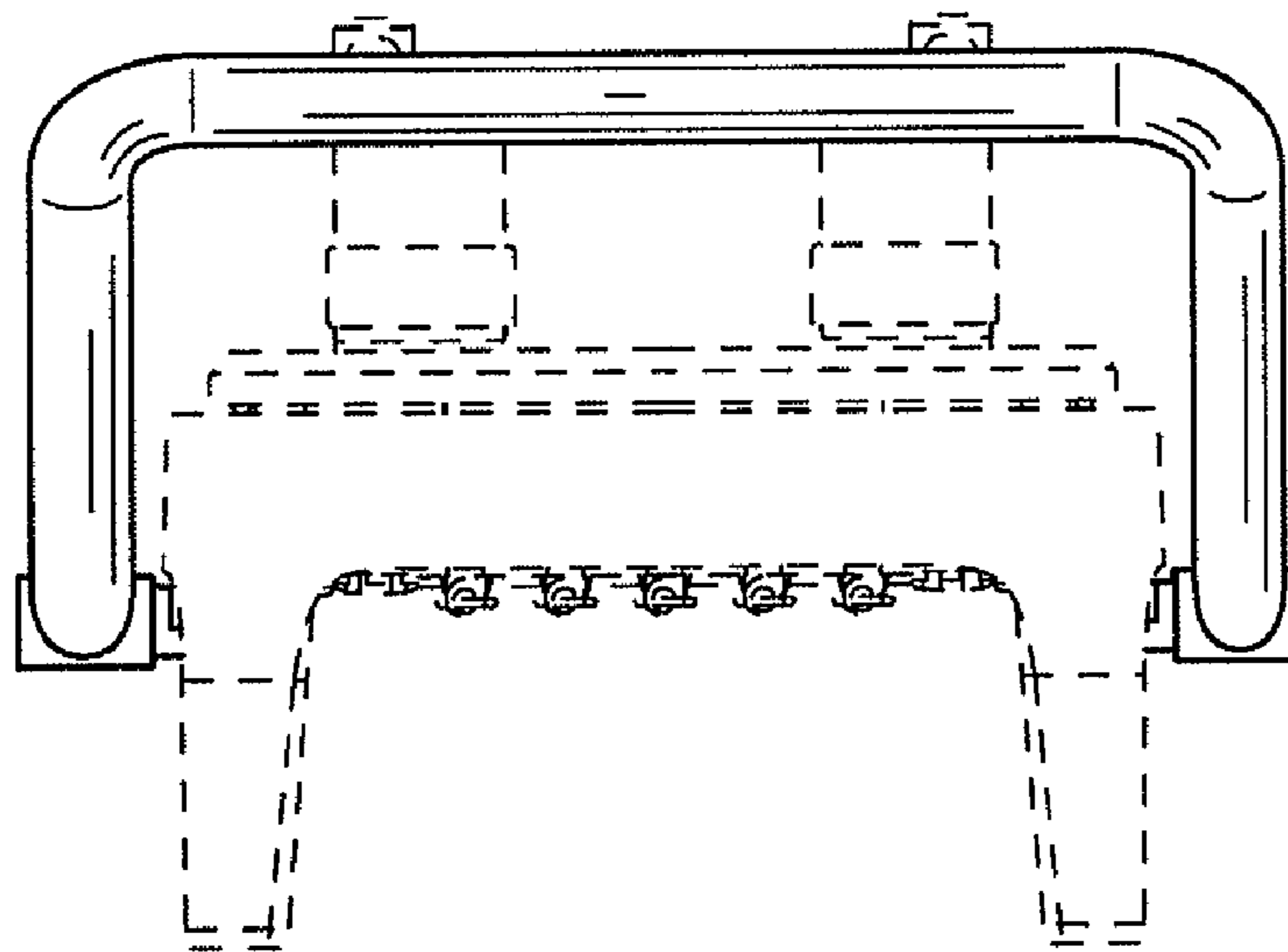


FIG. 3

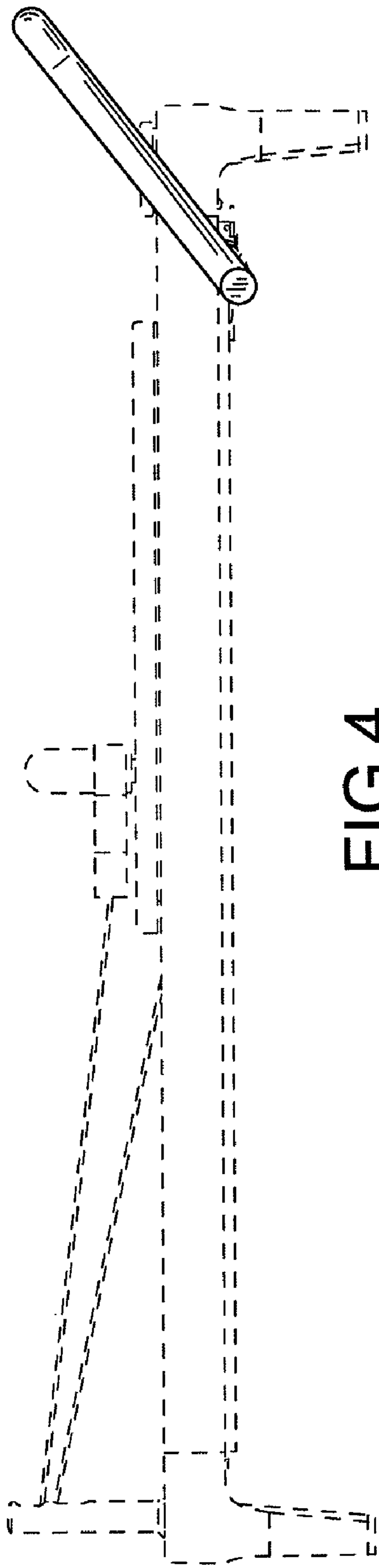


FIG. 4

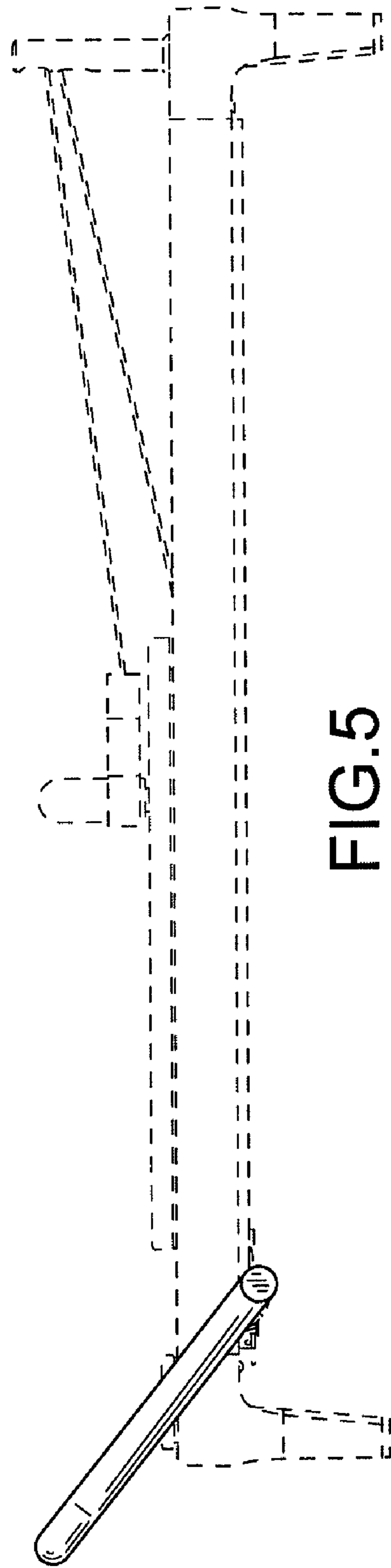


FIG. 5

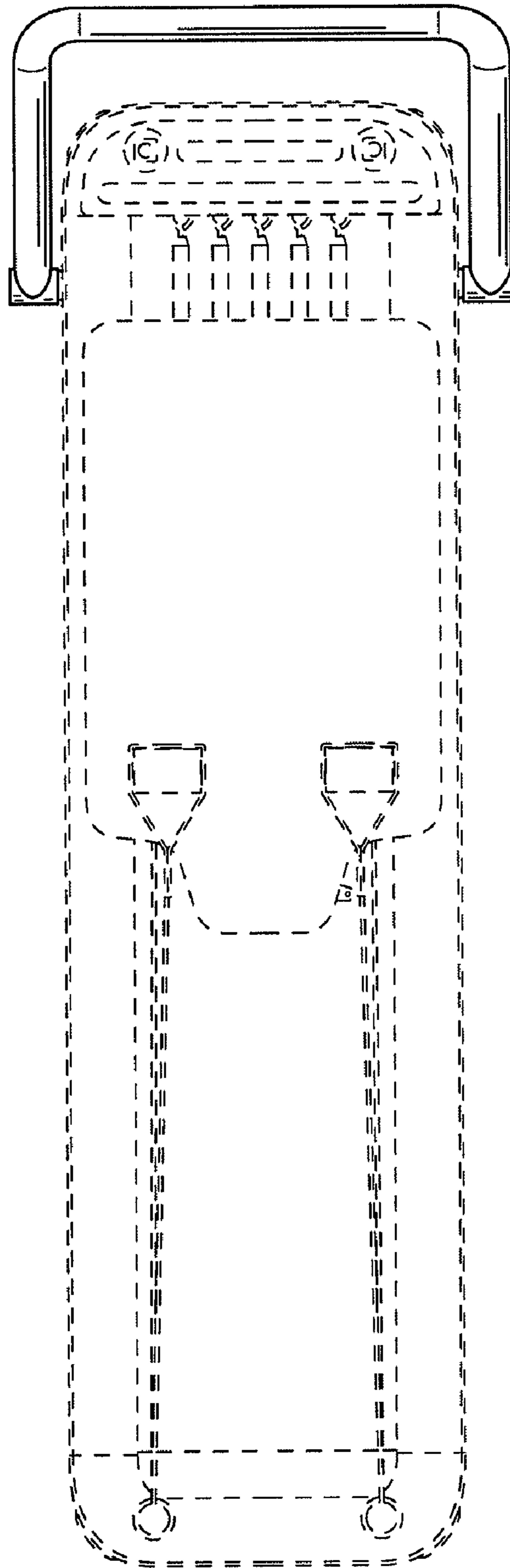


FIG.6

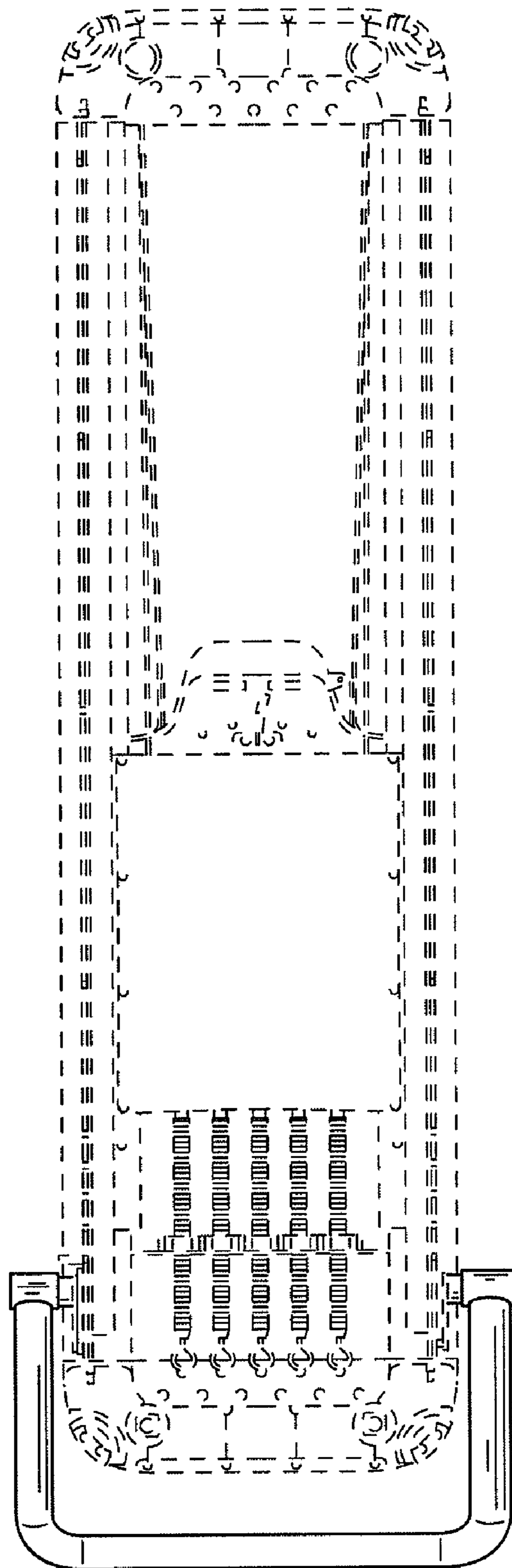


FIG.7