



US00D659207S

(12) **United States Design Patent**
Brown

(10) **Patent No.:** **US D659,207 S**

(45) **Date of Patent:** **** May 8, 2012**

(54) **ABDOMINAL EXERCISER DEVICE**

(75) **Inventor:** **Donald Brown**, Williamsport, PA (US)

(73) **Assignee:** **Tristar Products, Inc.**, Fairfield, NJ (US)

(**) **Term:** **14 Years**

(21) **Appl. No.:** **29/386,601**

(22) **Filed:** **Mar. 2, 2011**

(51) **LOC (9) Cl.** **21-02**

(52) **U.S. Cl.** **D21/687**

(58) **Field of Classification Search** D21/662,
D21/686, 687, 691; 482/132, 140, 142
See application file for complete search history.

(56) **References Cited**

U.S. PATENT DOCUMENTS

5,492,520	A *	2/1996	Brown	482/140
5,577,987	A *	11/1996	Brown	482/140
5,591,111	A *	1/1997	Wang et al.	482/140
5,630,778	A *	5/1997	Barreca	482/140
D379,836	S *	6/1997	Chen	D21/691
D380,517	S *	7/1997	Ho	D21/691
D384,379	S *	9/1997	Lin	D21/687
D385,930	S *	11/1997	Chen	D21/687
5,728,035	A *	3/1998	Sands	482/140
D395,684	S *	6/1998	Olschansky et al.	D21/662
5,813,957	A *	9/1998	Rossiter	482/140
D400,953	S *	11/1998	Huang	D21/687
5,853,357	A *	12/1998	Jones, Jr.	482/140
D404,432	S *	1/1999	Sands	D21/662

5,941,806	A *	8/1999	Olschansky et al.	482/140
6,117,057	A *	9/2000	Olschansky et al.	482/140
6,592,500	B1 *	7/2003	McBride et al.	482/140
D496,701	S *	9/2004	Chung	D21/687
2006/0205575	A1 *	9/2006	Ho	482/140
2007/0135281	A1 *	6/2007	Liao	482/140
2007/0281840	A1 *	12/2007	Tsai	482/140

* cited by examiner

Primary Examiner — Susan E Krakower

(74) *Attorney, Agent, or Firm* — Leo Stanger

(57) **CLAIM**

An ornamental design for an abdominal exerciser device, as shown.

DESCRIPTION

FIG. 1 is a perspective view of abdominal exerciser device showing my design;

FIG. FIG. 2 is an alternate perspective view of abdominal exerciser device of FIG. 1;

FIG. 3 is a right side elevational view thereof, which is the identical mirror image of the opposing left side elevational view depicted in FIG. 4;

FIG. 4 is a left side elevational view thereof, which is the identical mirror image of the opposing right side elevational view depicted in FIG. 3;

FIG. 5 is a top plan view thereof;

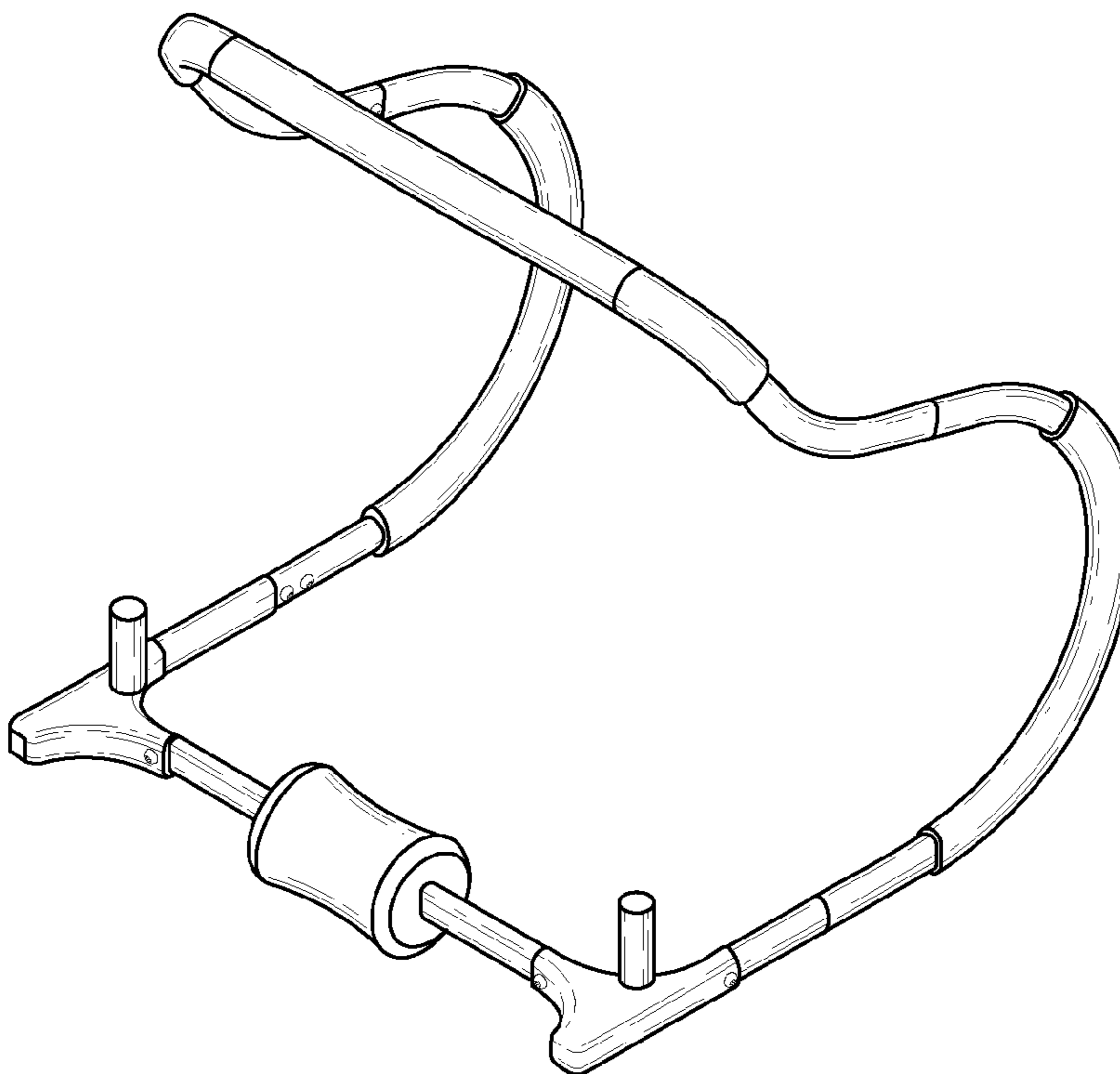
FIG. FIG. 6 is a bottom plan view thereof;

FIG. FIG. 7 is a rear elevational view thereof;

FIG. 8 is a front elevational view thereof; and,

FIG. 9 is a perspective view of abdominal exerciser device of FIG. 1 showing exerciser weights and clips positioned on posts.

1 Claim, 5 Drawing Sheets



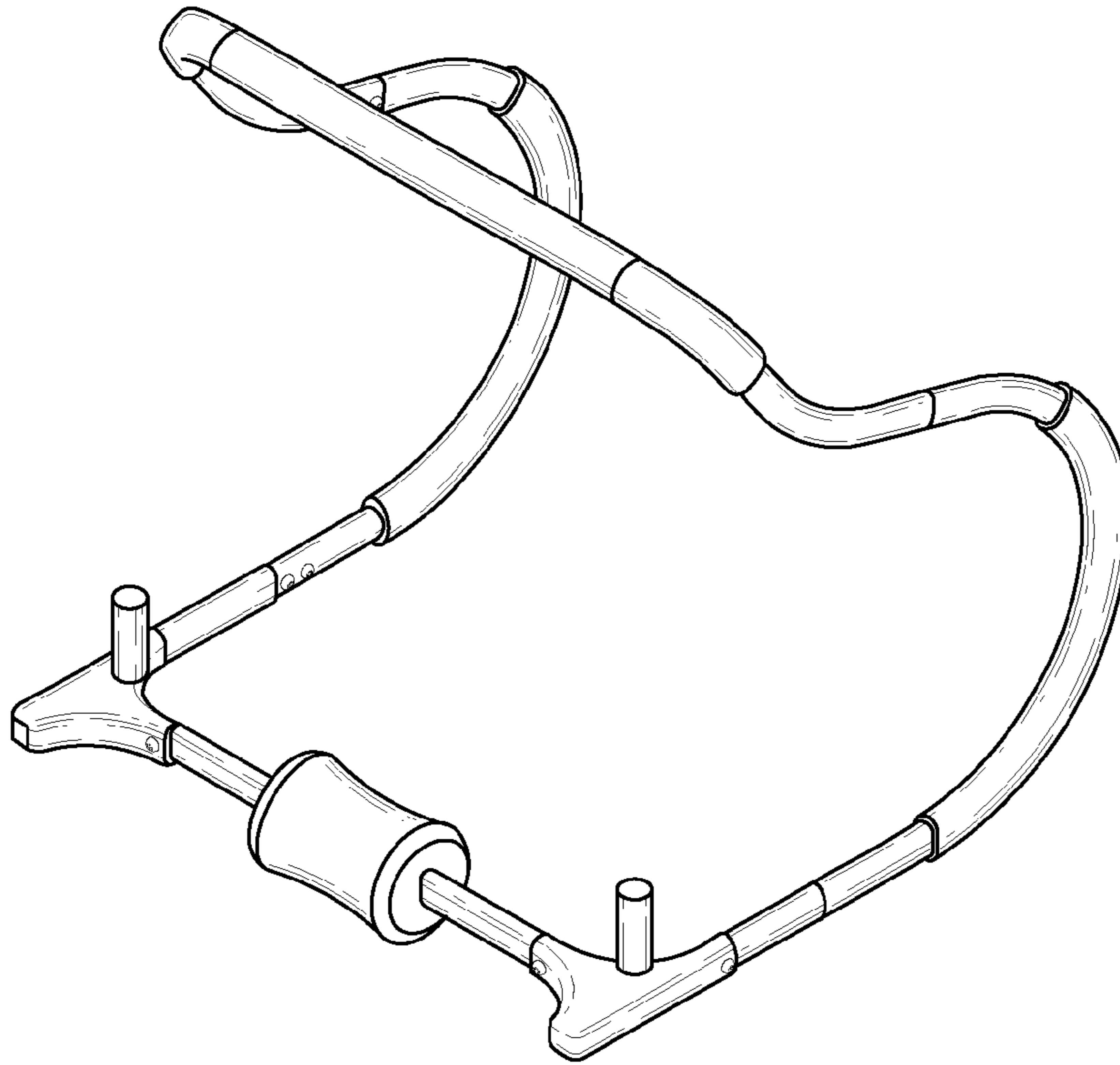


FIG. 1

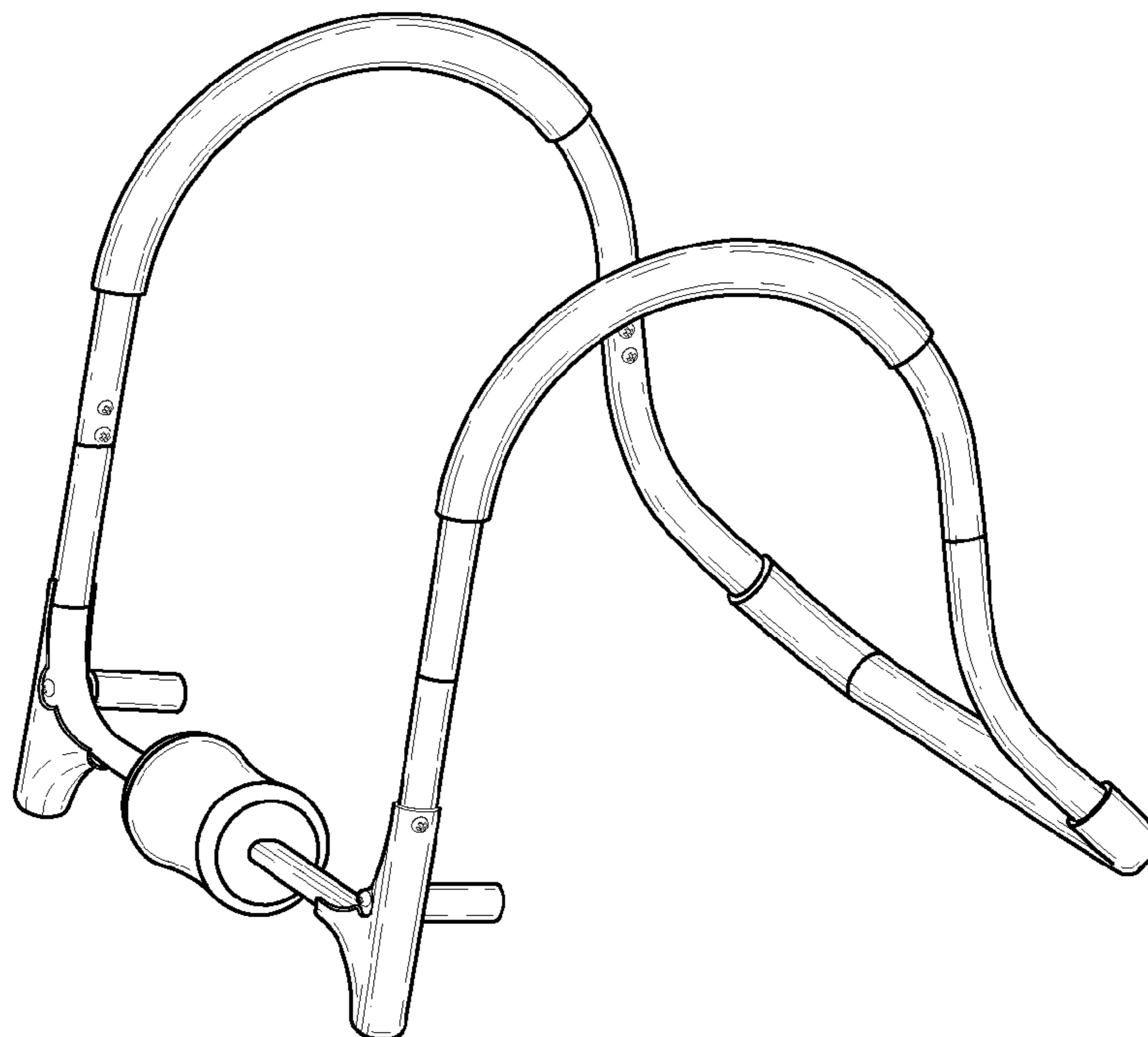


FIG. 2

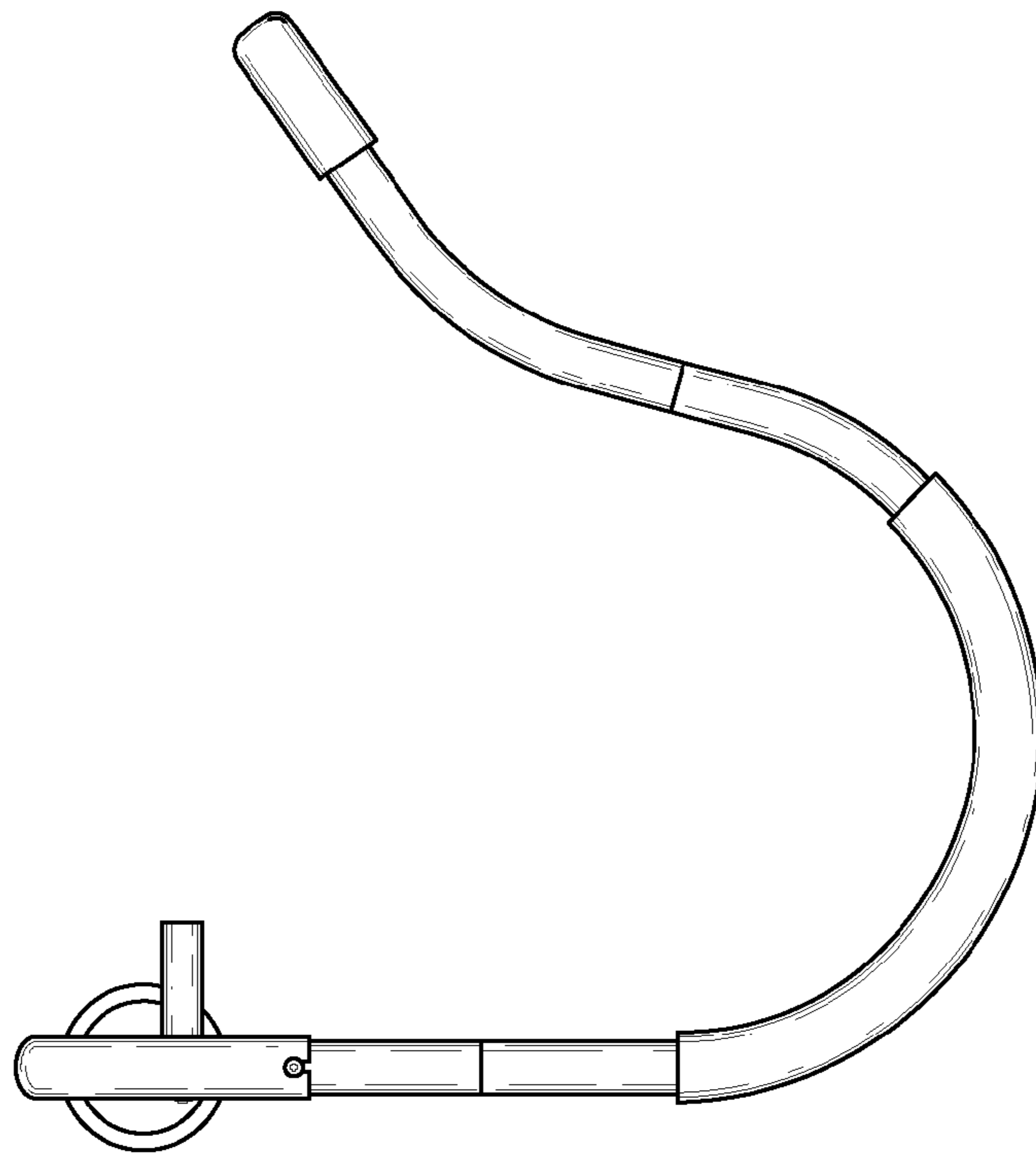


FIG. 3

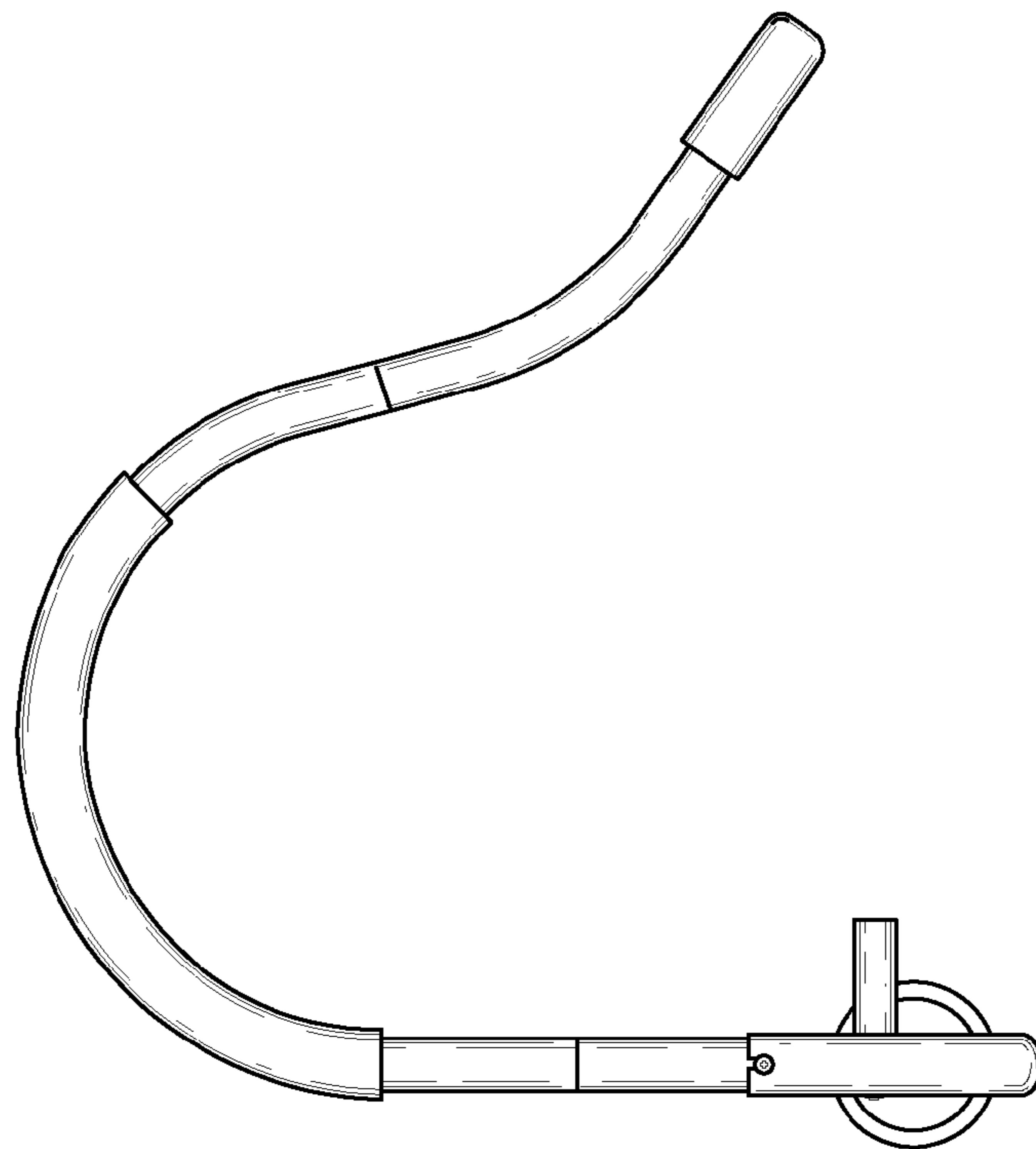


FIG. 4

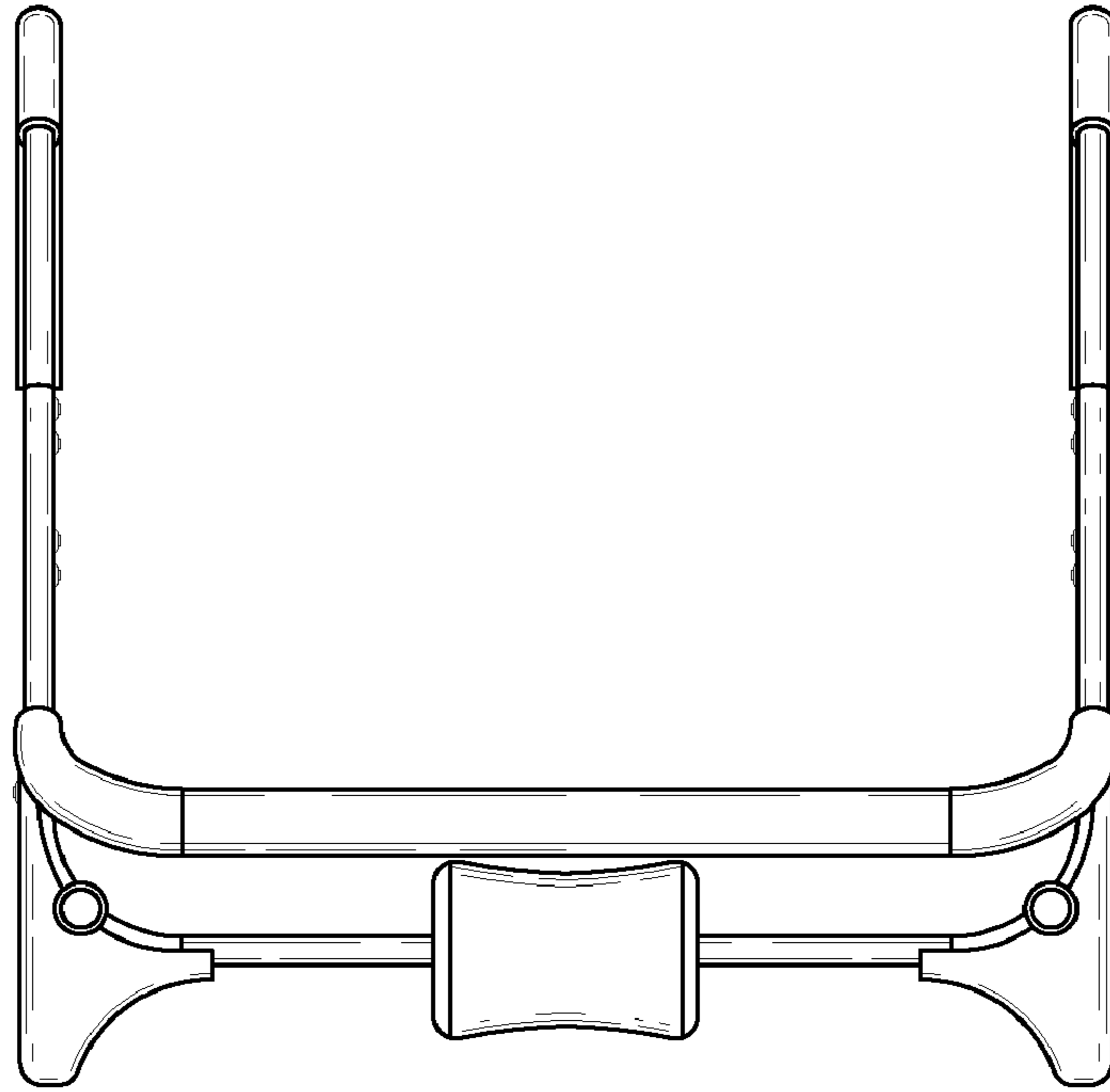


FIG. 5

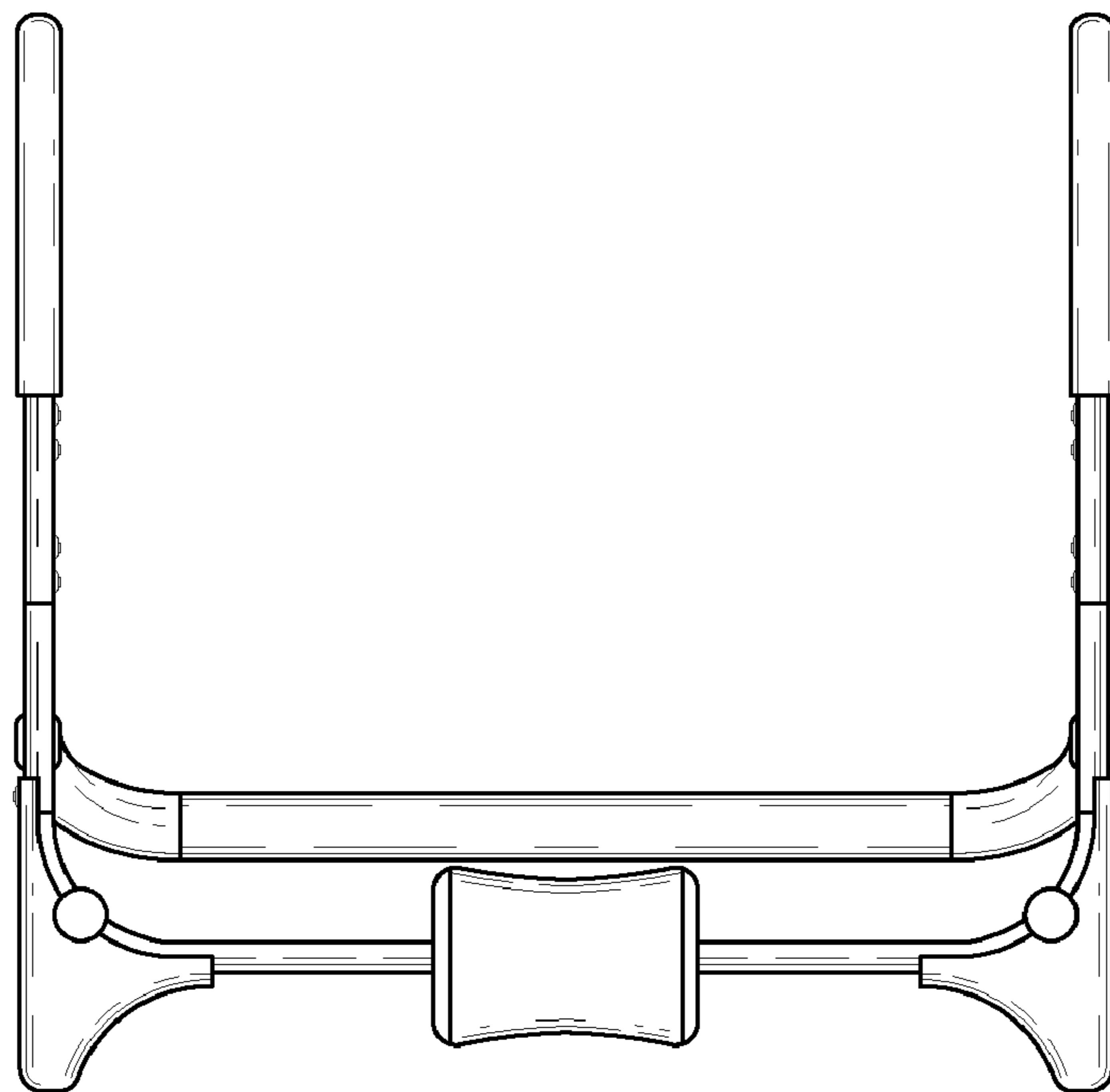


FIG. 6

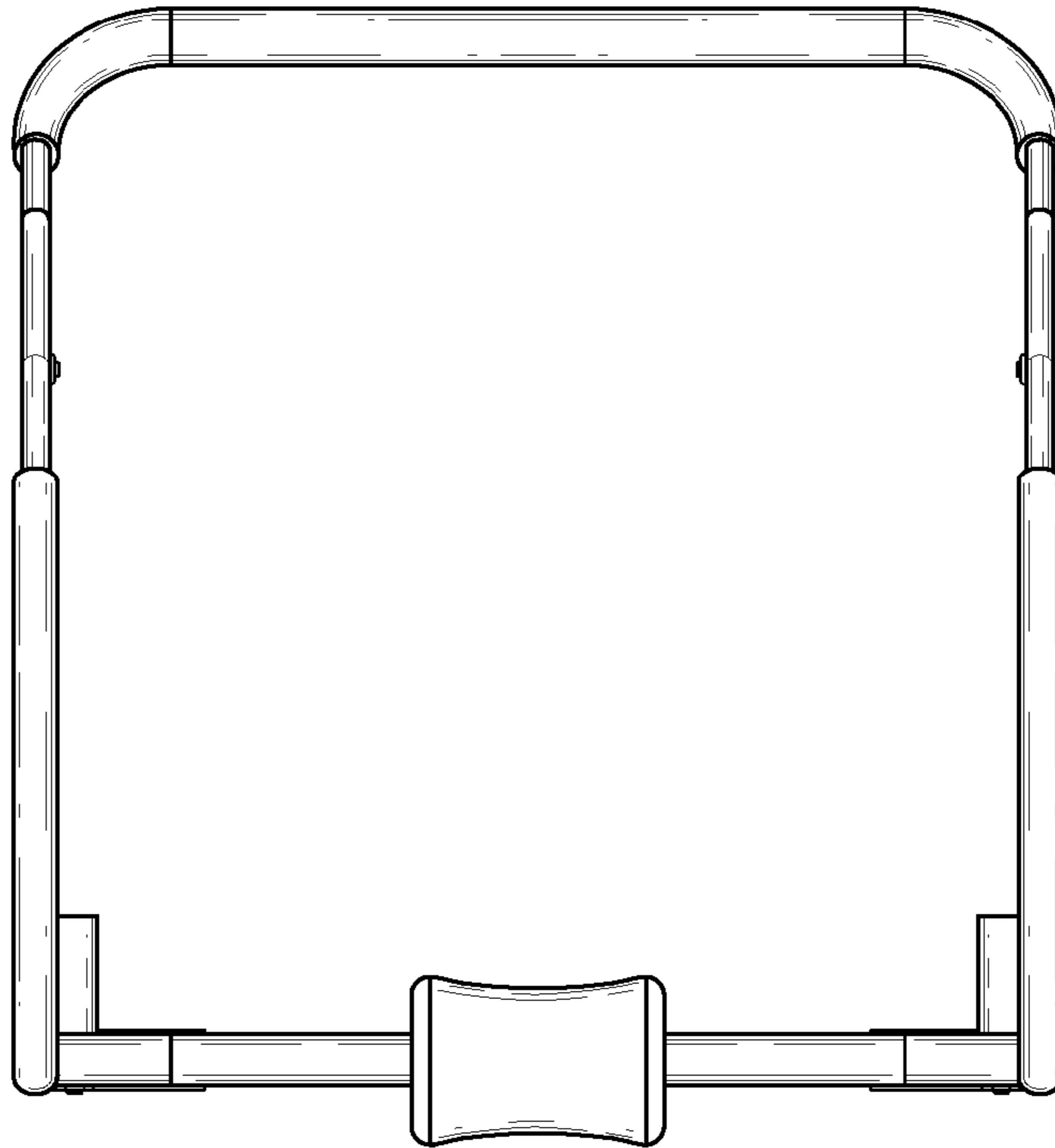


FIG. 7

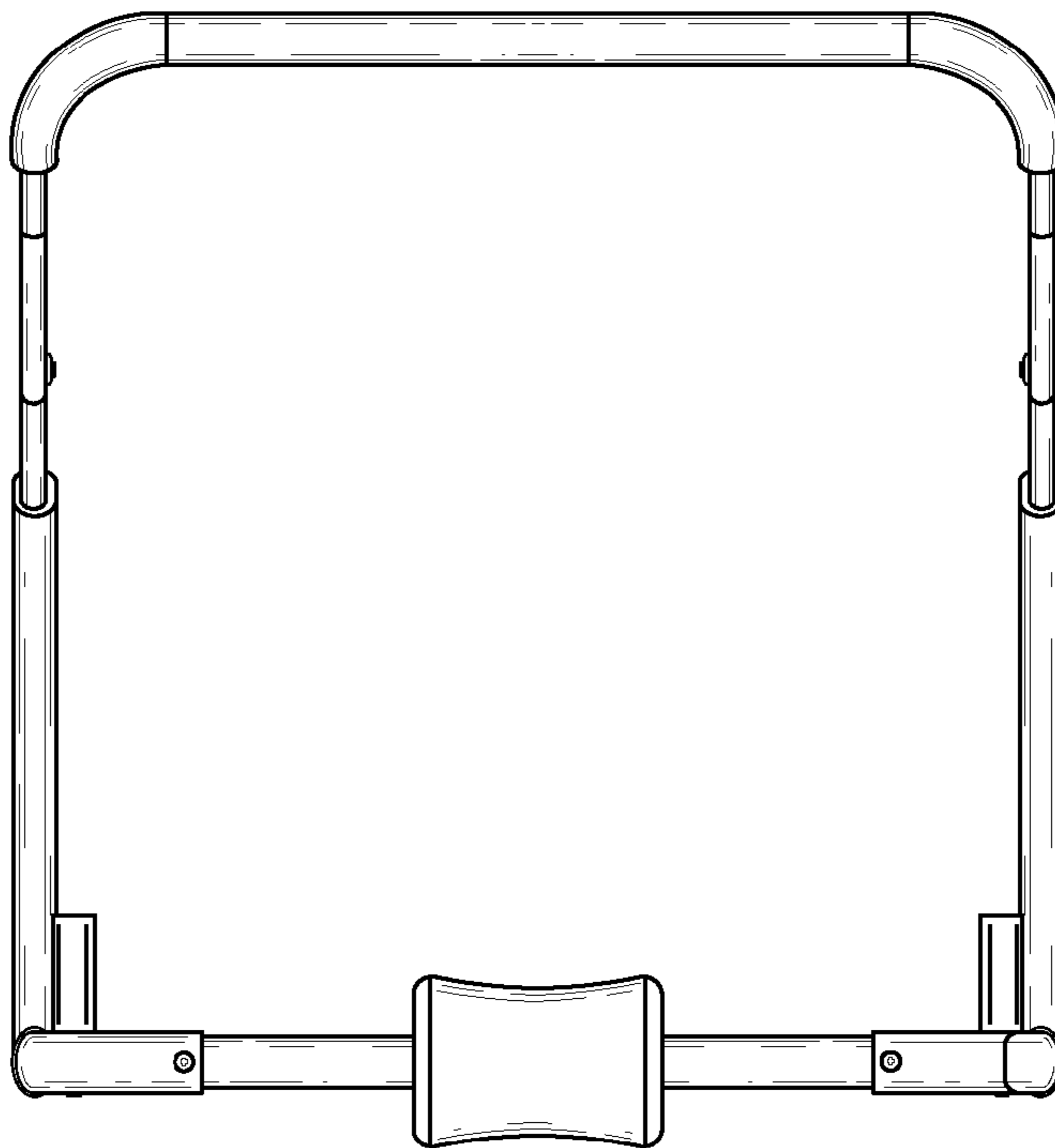


FIG. 8

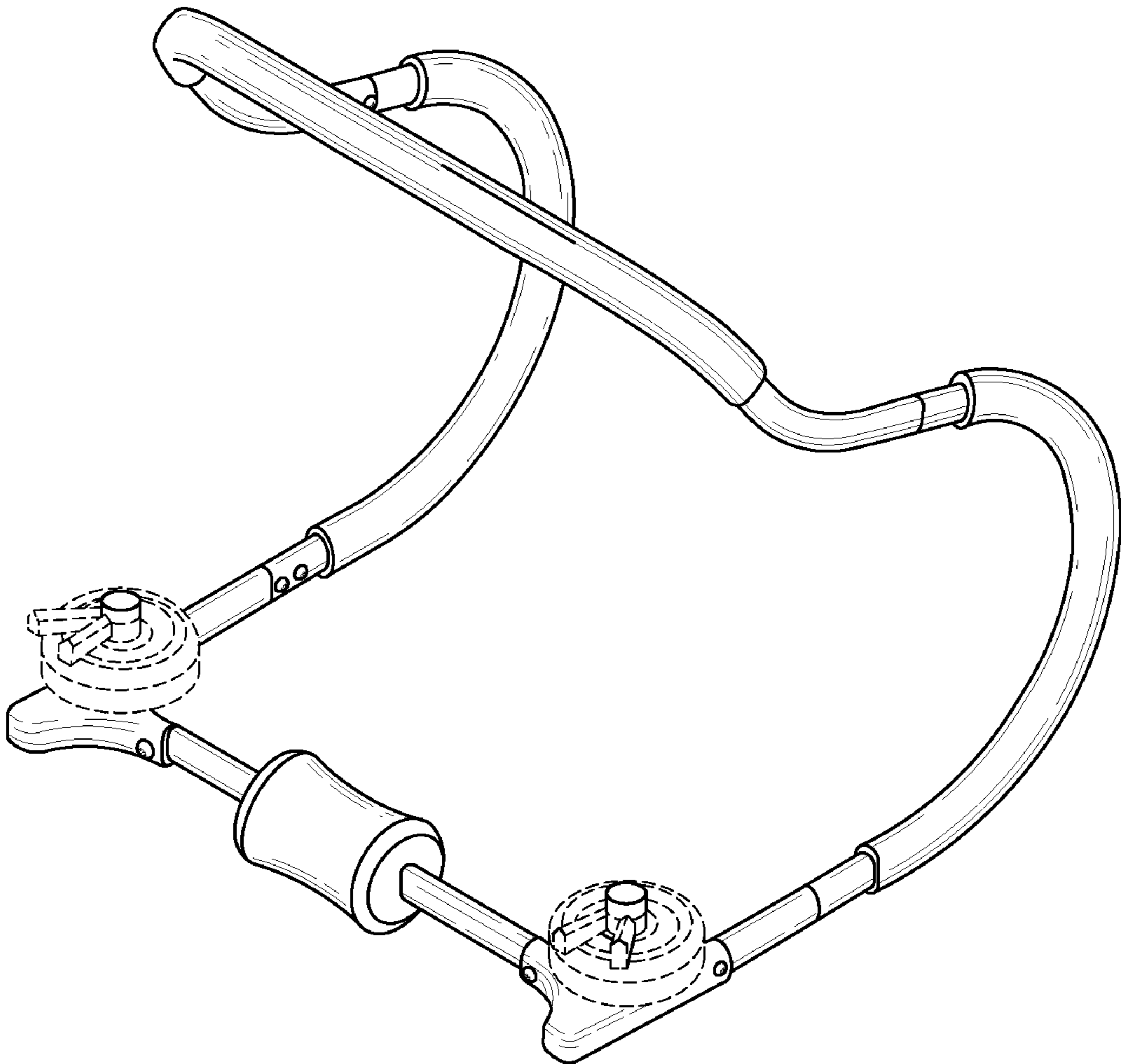


FIG. 9