



US00D659206S

(12) **United States Design Patent**
Oberwelz et al.

(10) **Patent No.:** **US D659,206 S**

(45) **Date of Patent:** **** May 8, 2012**

(54) **REFORMER EXERCISE APPARATUS FRAME**

Primary Examiner — Susan E Krakower

(74) *Attorney, Agent, or Firm* — Greenberg Traurig, LLP

(75) Inventors: **Elger Oberwelz**, San Francisco, CA (US); **James R. Yurchenco**, Palo Alto, CA (US); **Anthony Patron**, Mountain View, CA (US); **Thomas Dieter Christian Overthun**, San Francisco, CA (US); **Joerg Student**, San Francisco, CA (US); **David Webster**, San Mateo, CA (US); **Jennifer Ellen Davis-Wilson**, Mountain View, CA (US)

(57) **CLAIM**

The ornamental design for a reformer exercise apparatus frame, as shown and described.

(73) Assignee: **Balanced Body, Inc.**, Sacramento, CA (US)

DESCRIPTION

(**) Term: **14 Years**

This design application is related to United States Utility patent application Ser. No. 13/181,707, entitled Reformer Exercise Apparatus.

(21) Appl. No.: **29/397,245**

FIG. 1 is an upper perspective view of our new reformer exercise apparatus frame design. The broken lines show portions illustrating environmental structure of the reformer frame that form no part of the claimed design.

(22) Filed: **Jul. 13, 2011**

FIG. 2 is a head end elevational view of our new reformer exercise apparatus frame design. The broken lines show portions illustrating environmental structure of the reformer that form no part of the claimed design.

(51) **LOC (9) Cl.** **21-02**

(52) **U.S. Cl.** **D21/686; D21/694; D21/673**

(58) **Field of Classification Search** D21/662, D21/671, 673, 674, 676, 686, 690, 691, 693, D21/694; 482/72, 92, 95-96, 121-123, 130, 482/140-142

FIG. 3 is a rear end elevational view of the reformer exercise apparatus shown in FIG. 1. The broken lines show portions illustrating environmental structure of the reformer that form no part of the claimed design.

See application file for complete search history.

FIG. 4 is a right side elevational view of the reformer exercise apparatus shown in FIG. 1. The broken lines show portions illustrating environmental structure of the reformer that form no part of the claimed design.

(56) **References Cited**

U.S. PATENT DOCUMENTS

1,738,987	A *	12/1929	Dattilo	482/72
3,394,934	A *	7/1968	Elia et al.	482/72
3,892,404	A *	7/1975	Martucci	482/96
4,004,801	A *	1/1977	Campanaro et al.	482/96
4,101,124	A *	7/1978	Mahnke	482/96
4,911,438	A *	3/1990	Van Straaten	482/96
5,338,278	A *	8/1994	Endelman	482/142
D362,700	S *	9/1995	Breibart et al.	D21/673
5,938,571	A *	8/1999	Stevens	482/96
6,186,929	B1 *	2/2001	Endelman et al.	482/121
6,338,704	B1 *	1/2002	Endelman	482/142
D495,379	S *	8/2004	Dubus	D21/686

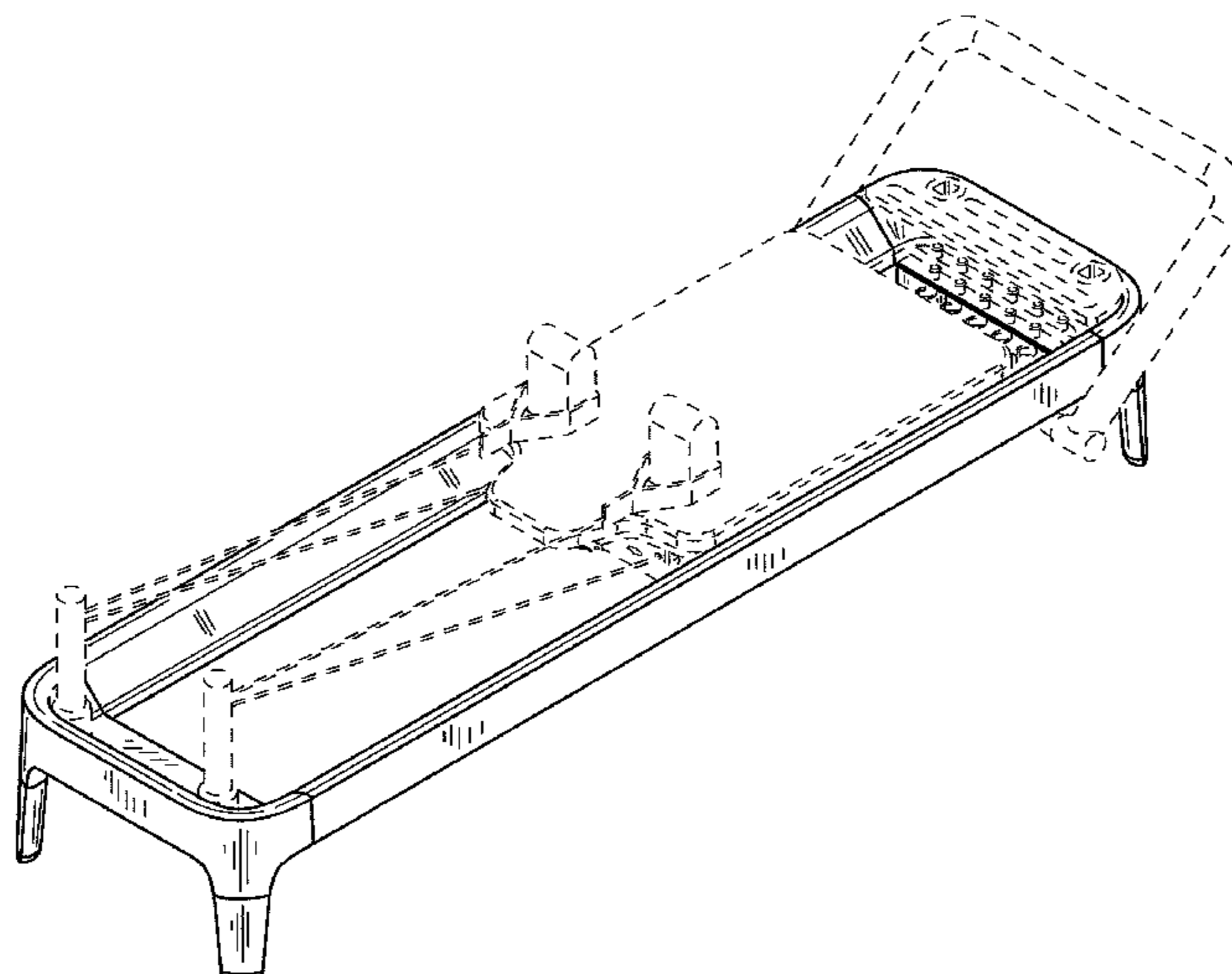
(Continued)

FIG. 5 is a left side elevational view of the reformer exercise apparatus shown in FIG. 1. The broken lines show portions illustrating environmental structure of the reformer that form no part of the claimed design.

FIG. 6 is a top plan view of the reformer exercise apparatus shown in FIG. 1. The broken lines show portions illustrating environmental structure of the reformer that form no part of the claimed design; and,

FIG. 7 is a bottom plan view of the reformer exercise apparatus shown in FIG. 1. The broken lines show portions illustrating environmental structure of the reformer that form no part of the claimed design.

1 Claim, 5 Drawing Sheets



US D659,206 S

Page 2

U.S. PATENT DOCUMENTS

6,921,355	B2 *	7/2005	Campanaro et al.	482/95	D556,274	S *	11/2007	Morgan	D21/662
7,104,937	B2 *	9/2006	Arbuckle et al.	482/142	7,771,328	B2 *	8/2010	Gerschefske	482/95
7,125,368	B2 *	10/2006	Endelman	482/142	7,803,095	B1 *	9/2010	LaGree	482/140
7,163,498	B1 *	1/2007	Abelbeck	482/142	7,806,805	B2 *	10/2010	Barufka et al.	482/5
7,270,628	B2 *	9/2007	Campanaro et al.	482/95	7,857,736	B2 *	12/2010	Merrithew et al.	482/121

* cited by examiner

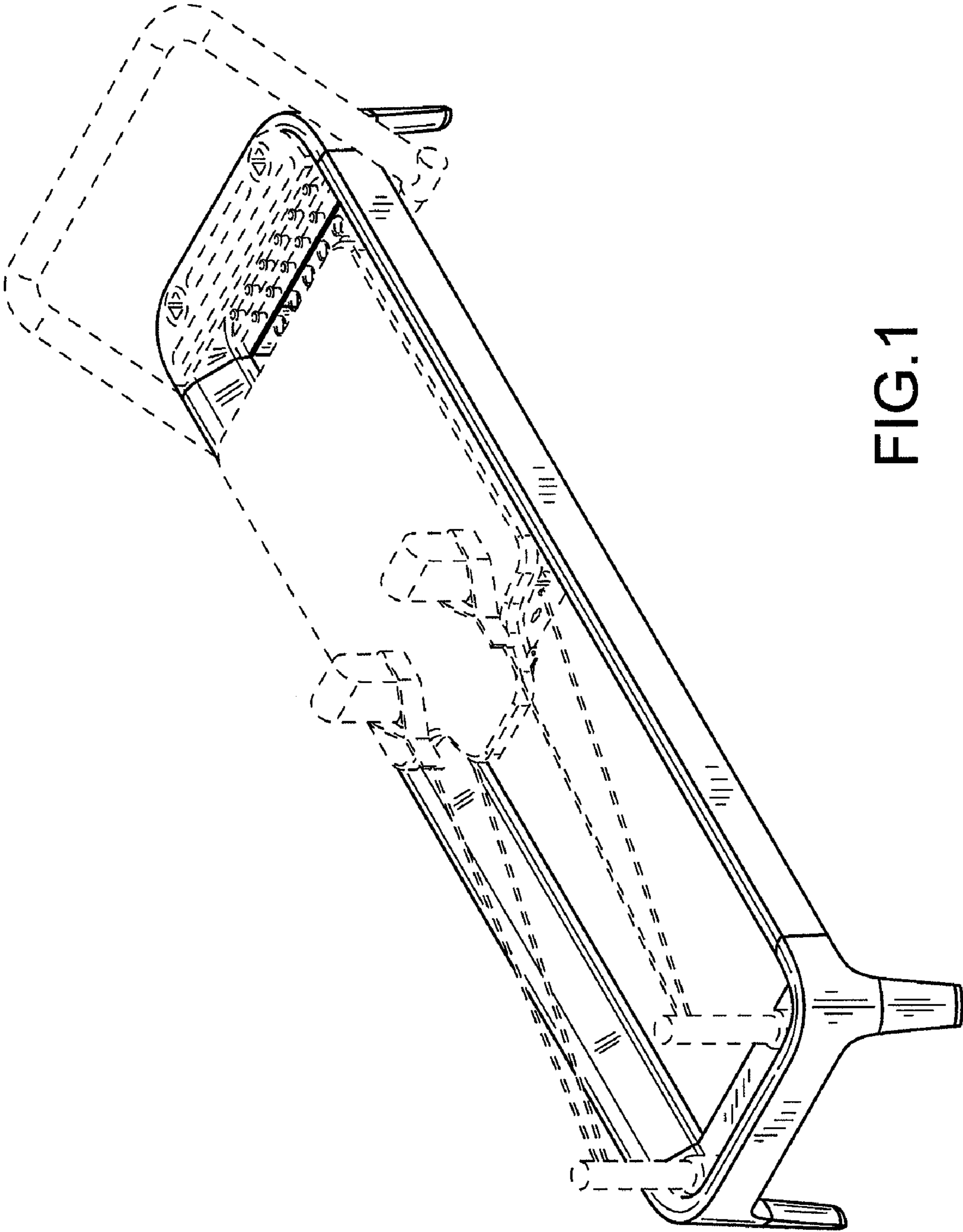


FIG.1

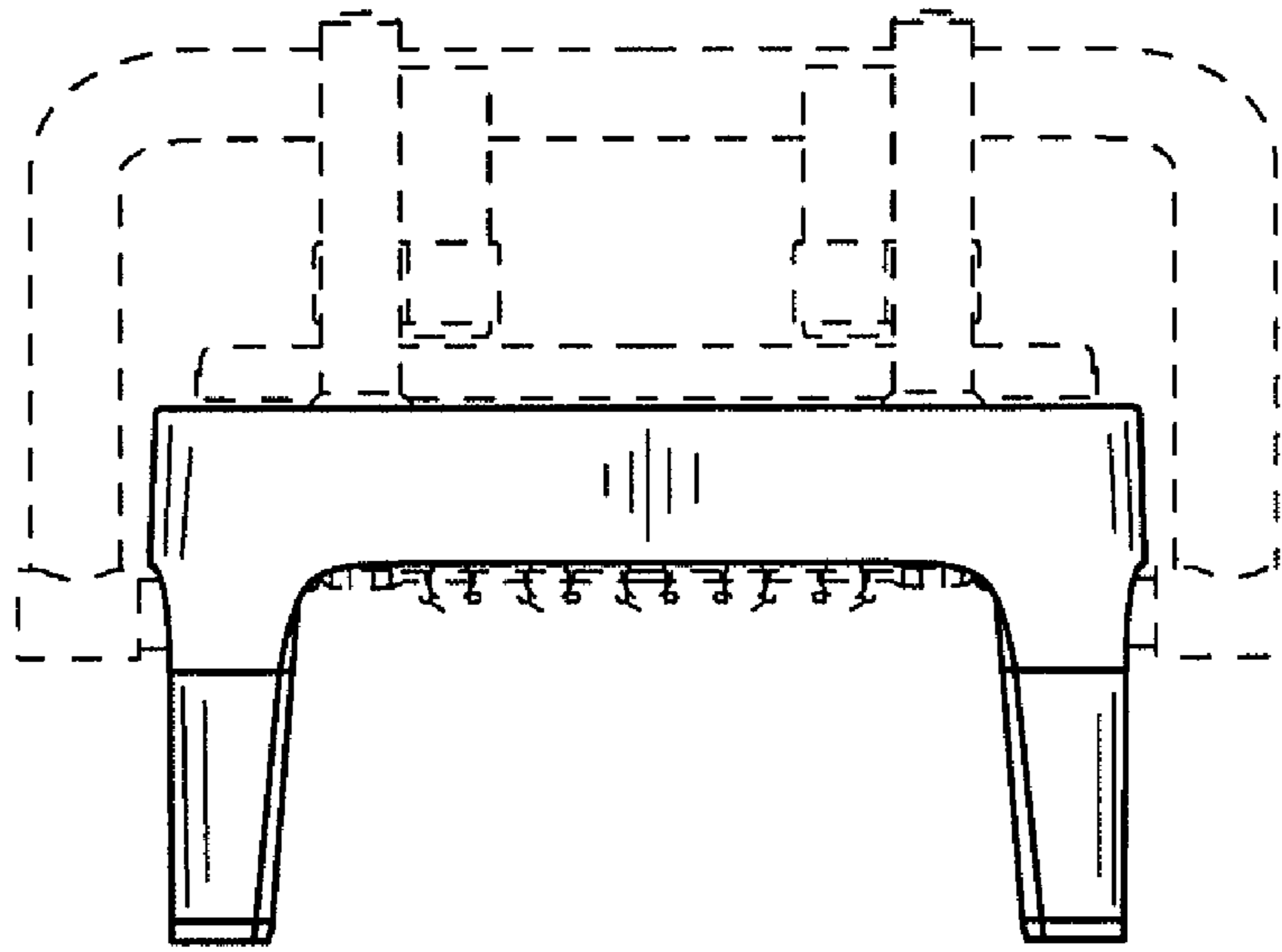


FIG. 2

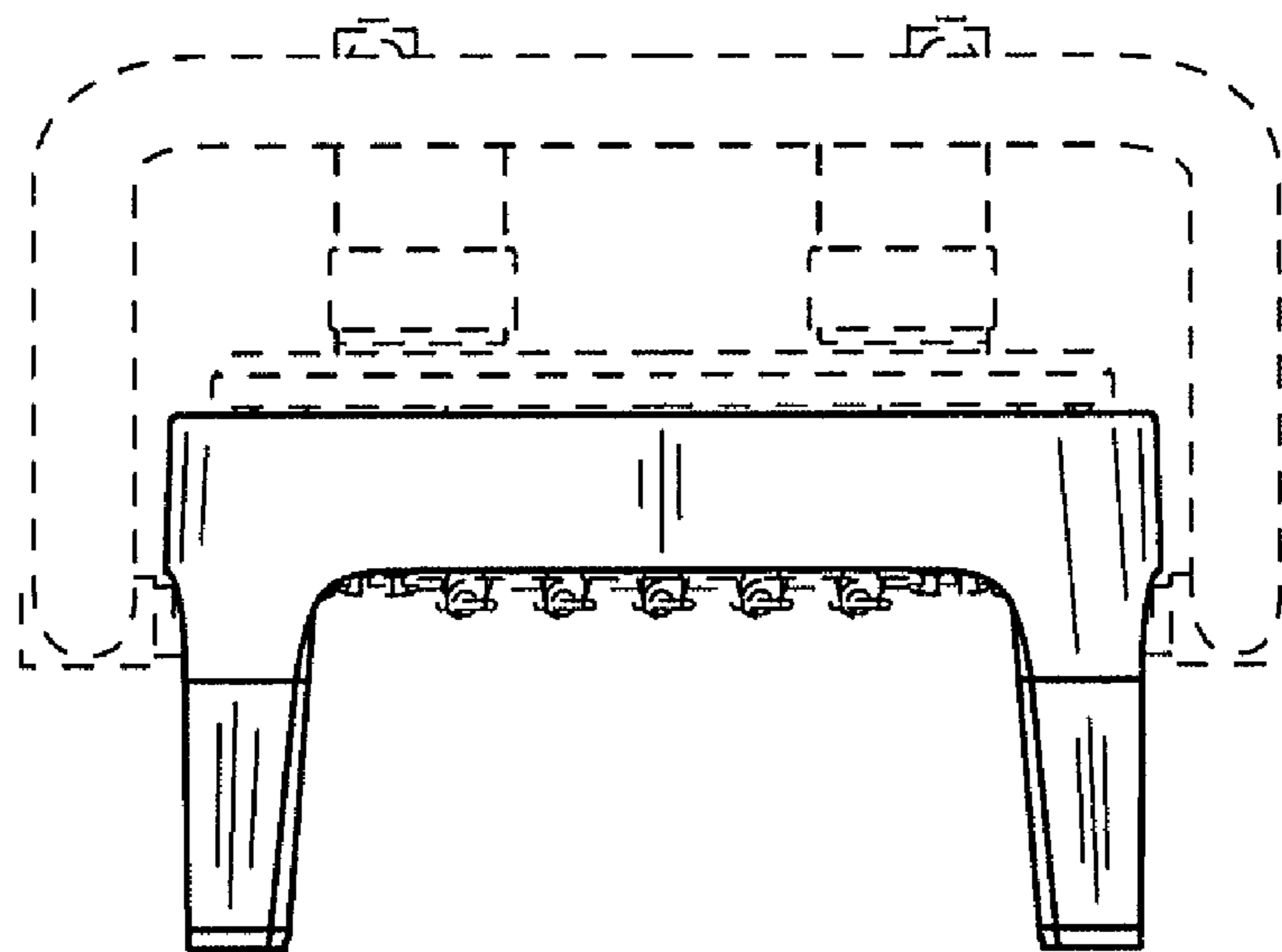
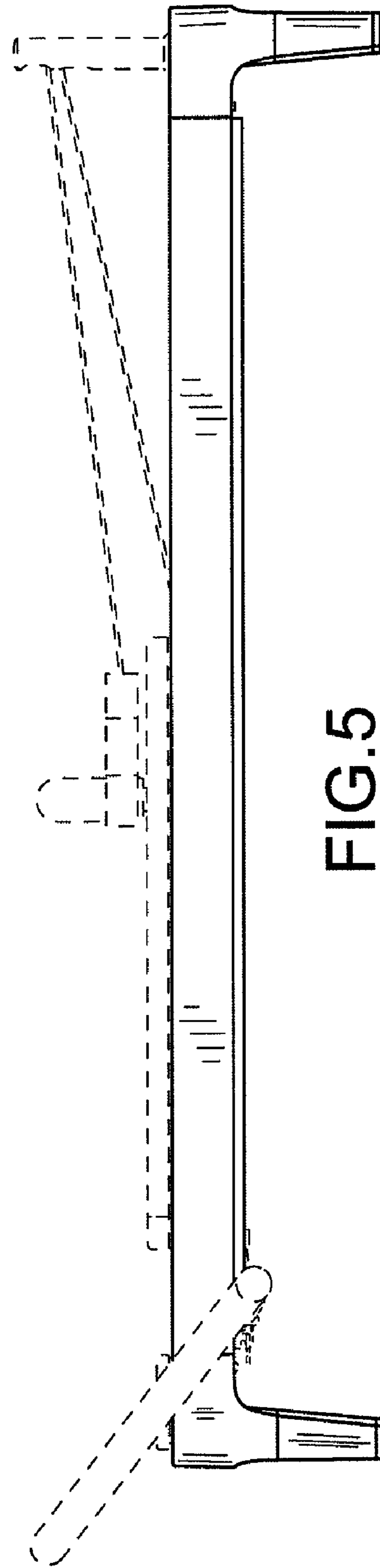
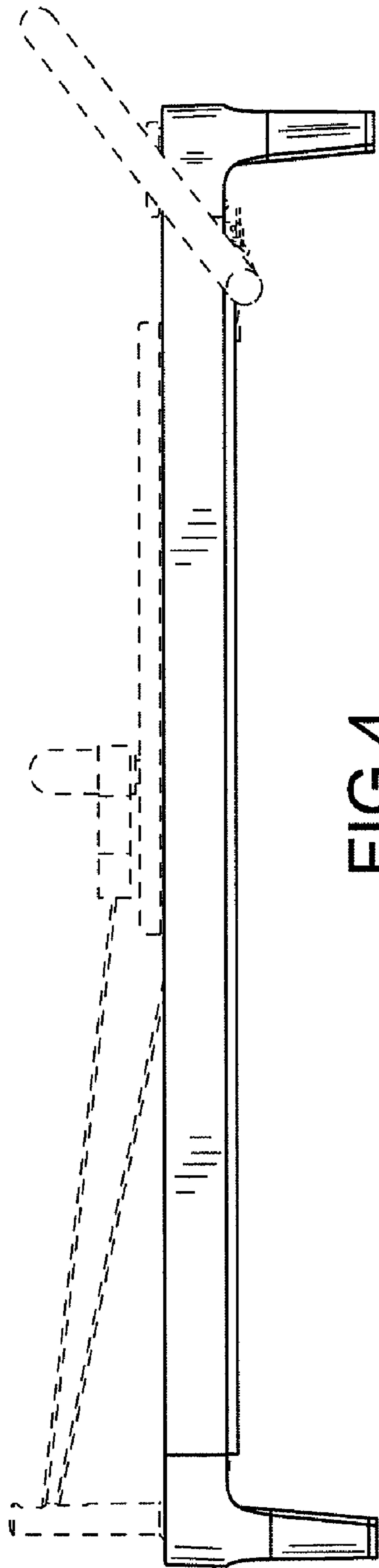


FIG. 3



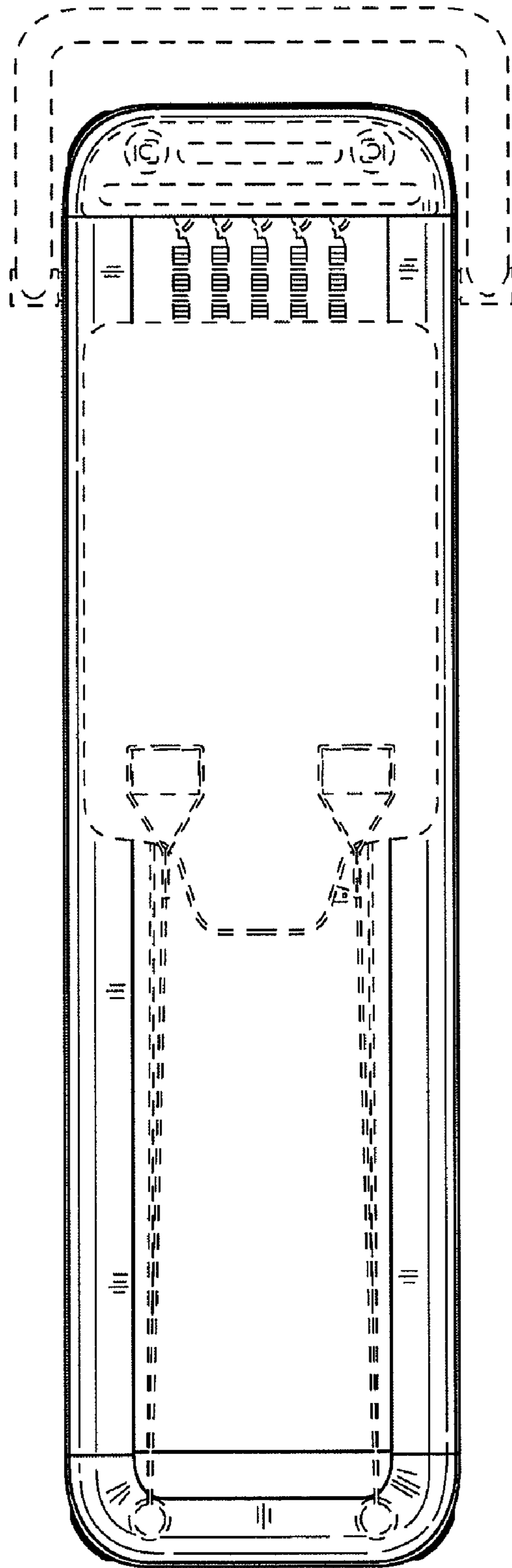


FIG.6

