



US00D659204S

(12) **United States Design Patent**
Cotter

(10) **Patent No.:** **US D659,204 S**
(45) **Date of Patent:** **** May 8, 2012**

(54) **EXERCISE DEVICE**

(75) Inventor: **James E. Cotter**, Ashland, OH (US)

(73) Assignee: **Kamagon Fitness, LLC**, Tulsa, OK (US)

(**) Term: **14 Years**

(21) Appl. No.: **29/404,855**

(22) Filed: **Oct. 26, 2011**

5,735,776 A	4/1998	Swezey et al.	
5,857,946 A	1/1999	Brown	
5,967,952 A	10/1999	Bronstein et al.	
6,003,470 A *	12/1999	Budman	119/711
6,068,580 A	5/2000	Myers et al.	
D431,608 S *	10/2000	Lin	D21/398
6,149,555 A	11/2000	Kinback	
6,190,292 B1 *	2/2001	Panes	482/93
D455,182 S *	4/2002	Chu	D21/398
D456,051 S *	4/2002	Mitchell	D21/662
D464,095 S *	10/2002	Yu	D21/684
6,537,125 B1	3/2003	Motosko	
6,547,703 B1 *	4/2003	Swezey et al.	482/91
D489,103 S *	4/2004	Jandorf	D21/713
D493,499 S *	7/2004	Peng	D21/662

(Continued)

Related U.S. Application Data

(63) Continuation of application No. 13/180,896, filed on Jul. 12, 2011, which is a continuation-in-part of application No. 12/250,222, filed on Oct. 13, 2008, now abandoned.

(51) **LOC (9) Cl.** **21-02**

(52) **U.S. Cl.** **D21/680; D21/662**

(58) **Field of Classification Search** D21/398, D21/412, 453, 662, 680-682, 684, 713-714; 482/91-93, 104-109, 111, 148; D30/160; 119/711; 473/212, 256, 603

See application file for complete search history.

(56) **References Cited**

U.S. PATENT DOCUMENTS

777,478 A *	12/1904	Minor	482/93
3,427,022 A *	2/1969	Ward	482/111
3,785,642 A *	1/1974	Sterlicchi	482/51
D241,869 S *	10/1976	Hilprecht	D21/713
4,108,428 A *	8/1978	Winterbottom	482/84
4,357,009 A	11/1982	Baker	
4,726,357 A *	2/1988	DeStefano	601/41
4,842,563 A	6/1989	Russell	
4,915,669 A	4/1990	Russell	
4,917,381 A	4/1990	Spector	
5,050,870 A	9/1991	Pollock	
5,085,320 A *	2/1992	Scott	206/315.9
5,282,777 A *	2/1994	Myers	482/122
5,399,136 A *	3/1995	Bart	482/110
D363,752 S *	10/1995	Shumber et al.	D21/678

OTHER PUBLICATIONS

Enamait, Ross, The Water Ball, www.rosstraining.com/articles/thewaterball.html, 2006.

(Continued)

Primary Examiner — Susan E Krakower

(74) *Attorney, Agent, or Firm* — Head, Johnson & Kachigian, P.C.

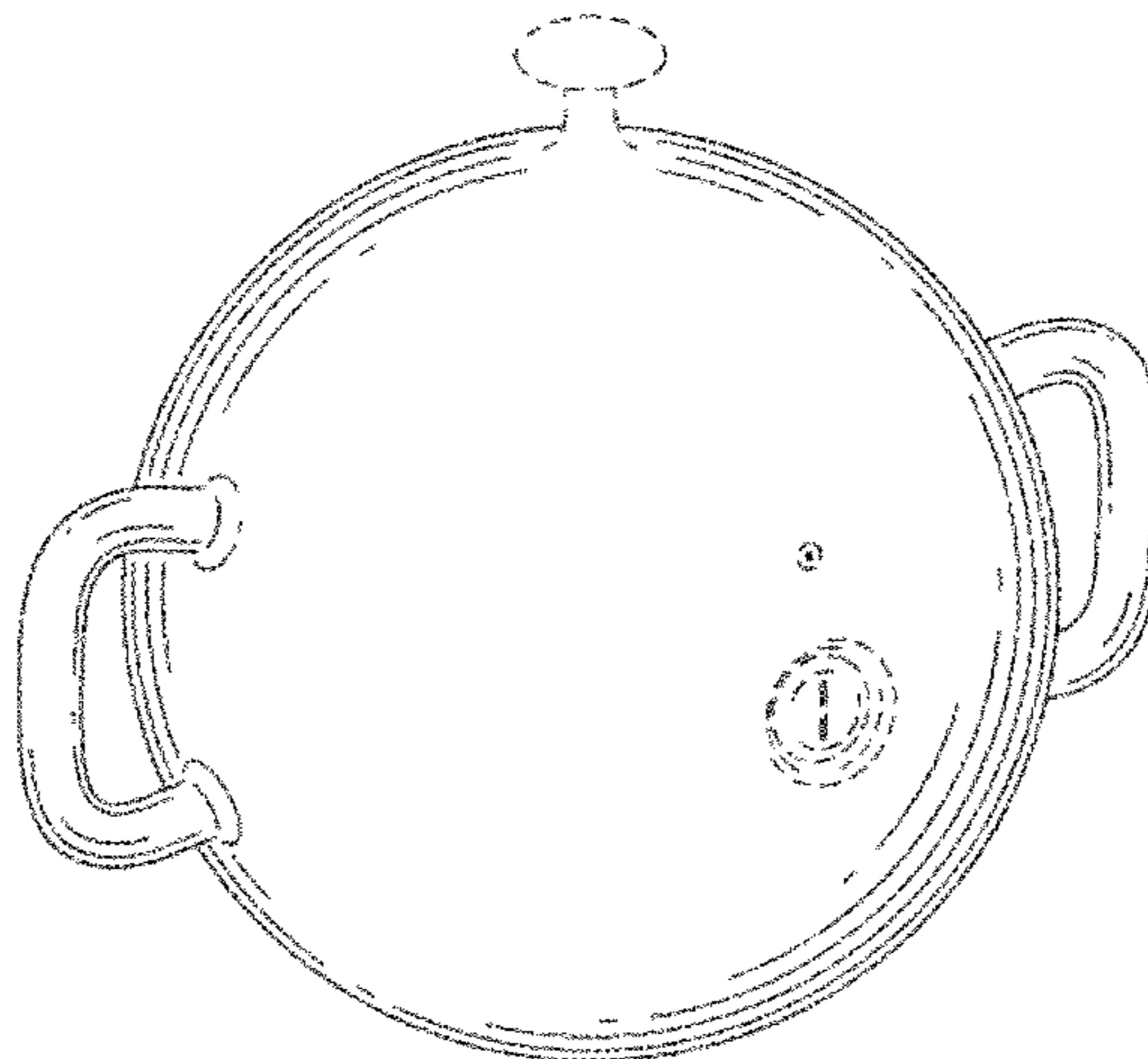
(57) **CLAIM**

The ornamental design for an exercise device, as shown and described.

DESCRIPTION

FIG. 1 is a perspective view of an exercise device of the claimed design;
FIG. 2 is a front view thereof;
FIG. 3 is a top view thereof;
FIG. 4 is a bottom view thereof;
FIG. 5 is a side view thereof; and,
FIG. 6 is a rear view thereof.
The broken line portions of the figure drawings are included to show unclaimed subject matter only and form no part of the claimed design.

1 Claim, 3 Drawing Sheets



US D659,204 S

Page 2

U.S. PATENT DOCUMENTS

6,758,795 B2 7/2004 Barber
D494,233 S * 8/2004 Kerry D21/662
D498,799 S 11/2004 Kerry
6,953,277 B2 * 10/2005 Karlake et al. 366/130
6,964,635 B2 * 11/2005 Wang 482/109
7,141,012 B2 11/2006 Lin
D552,696 S * 10/2007 Hallar D21/662
7,285,080 B1 * 10/2007 Chiu 482/142
7,326,122 B2 * 2/2008 Park 473/256
D568,950 S * 5/2008 Yewer, Jr. D21/662

7,740,552 B2 * 6/2010 Spector 473/603
7,758,437 B1 * 7/2010 Stewart 473/212
D634,792 S * 3/2011 Goodman-Pollack D21/453
D651,671 S * 1/2012 Ross et al. D21/680

OTHER PUBLICATIONS

Shanghai Nancy Sporting Goods Co., Weight Ball/Medicine Ball,
Sep. 26, 2008, <http://.nancysports.com>.

* cited by examiner

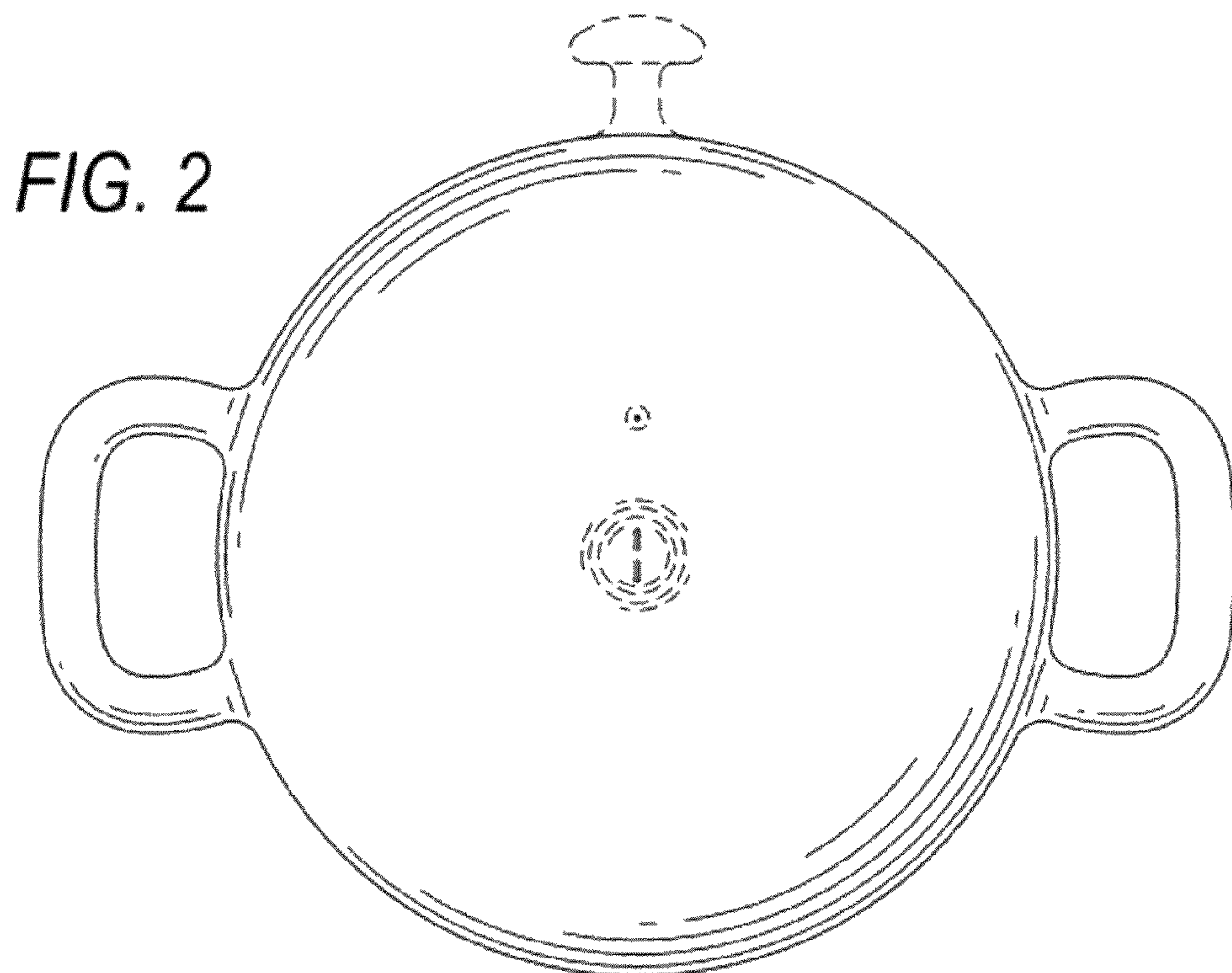
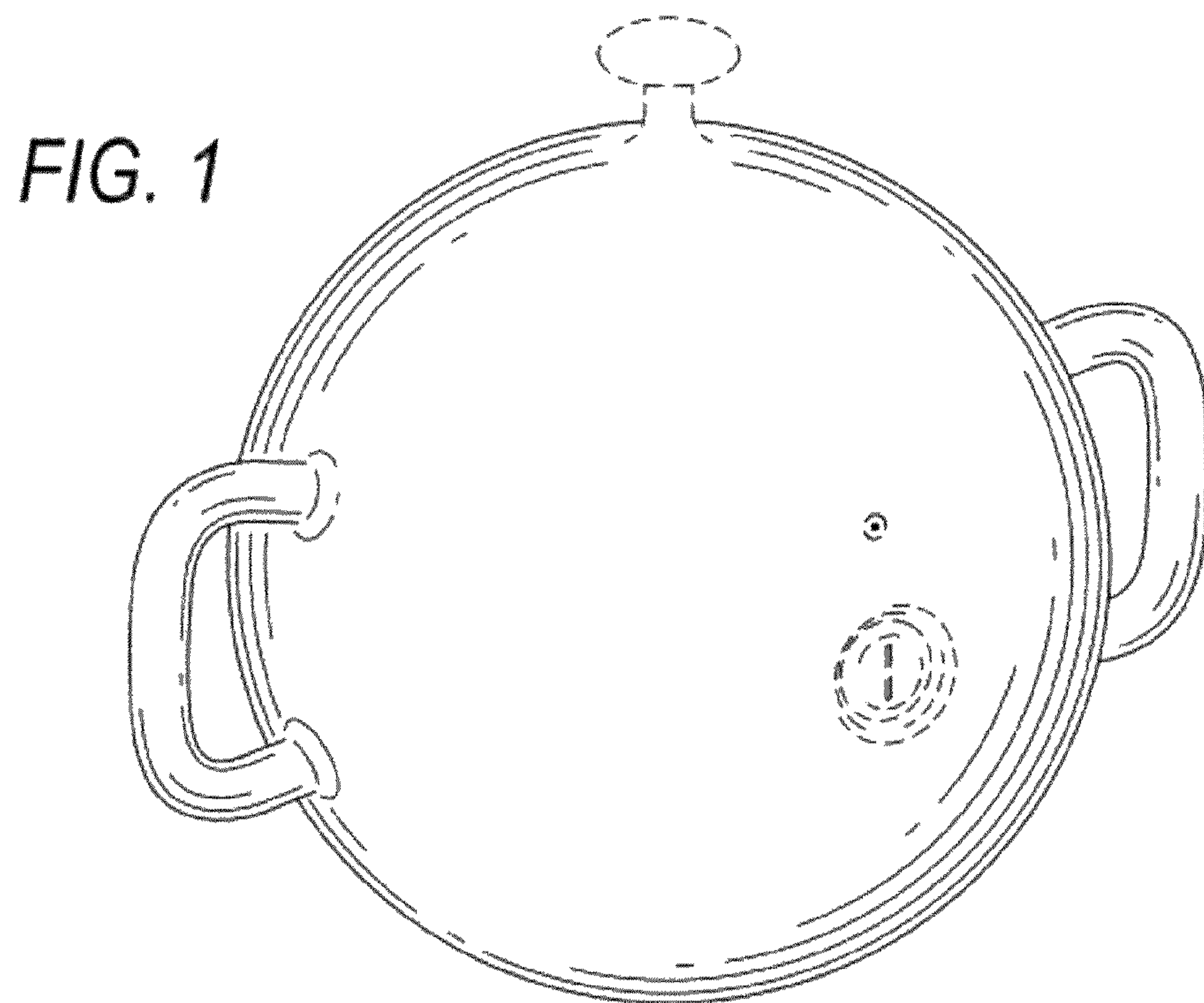


FIG. 3

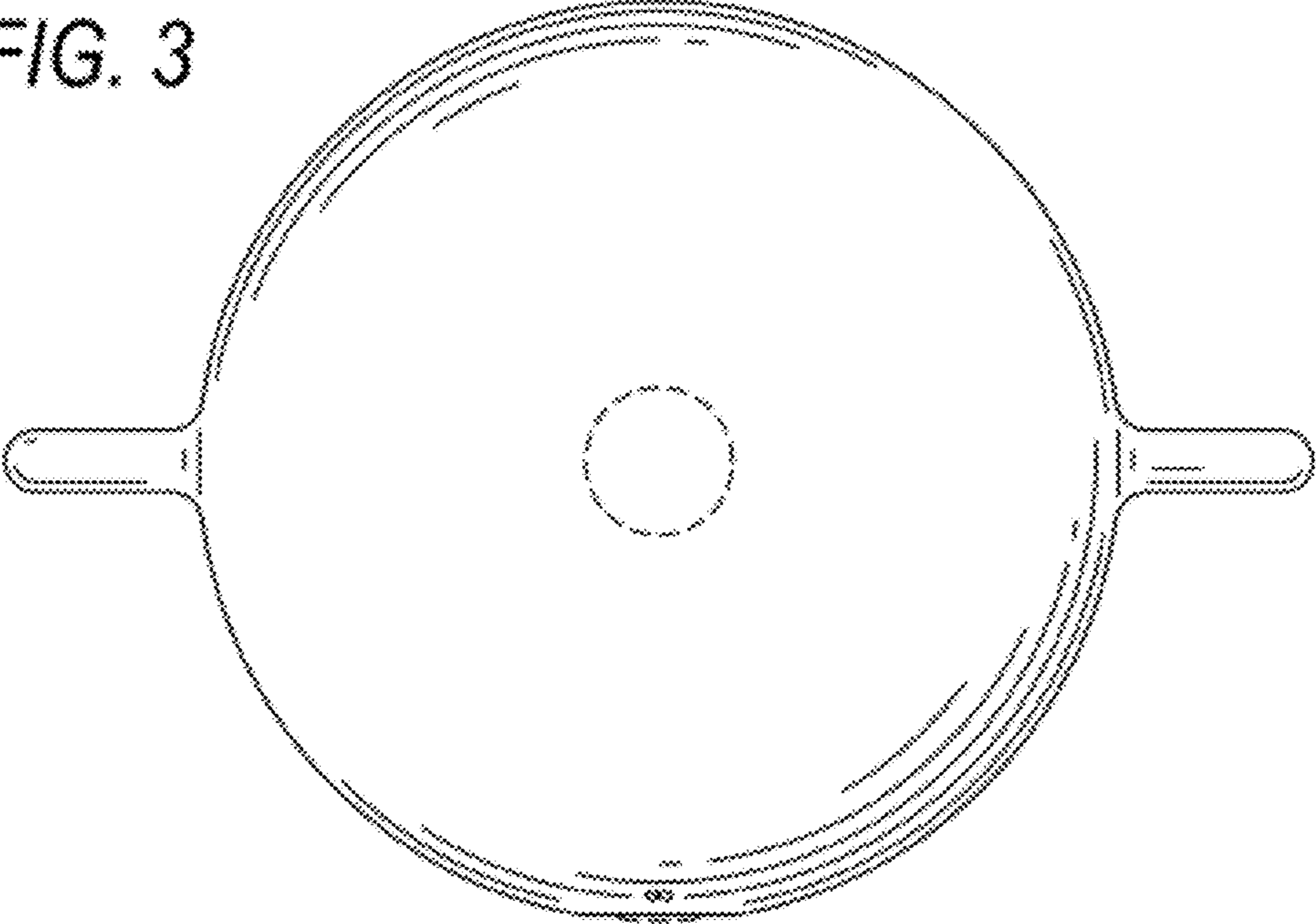


FIG. 4

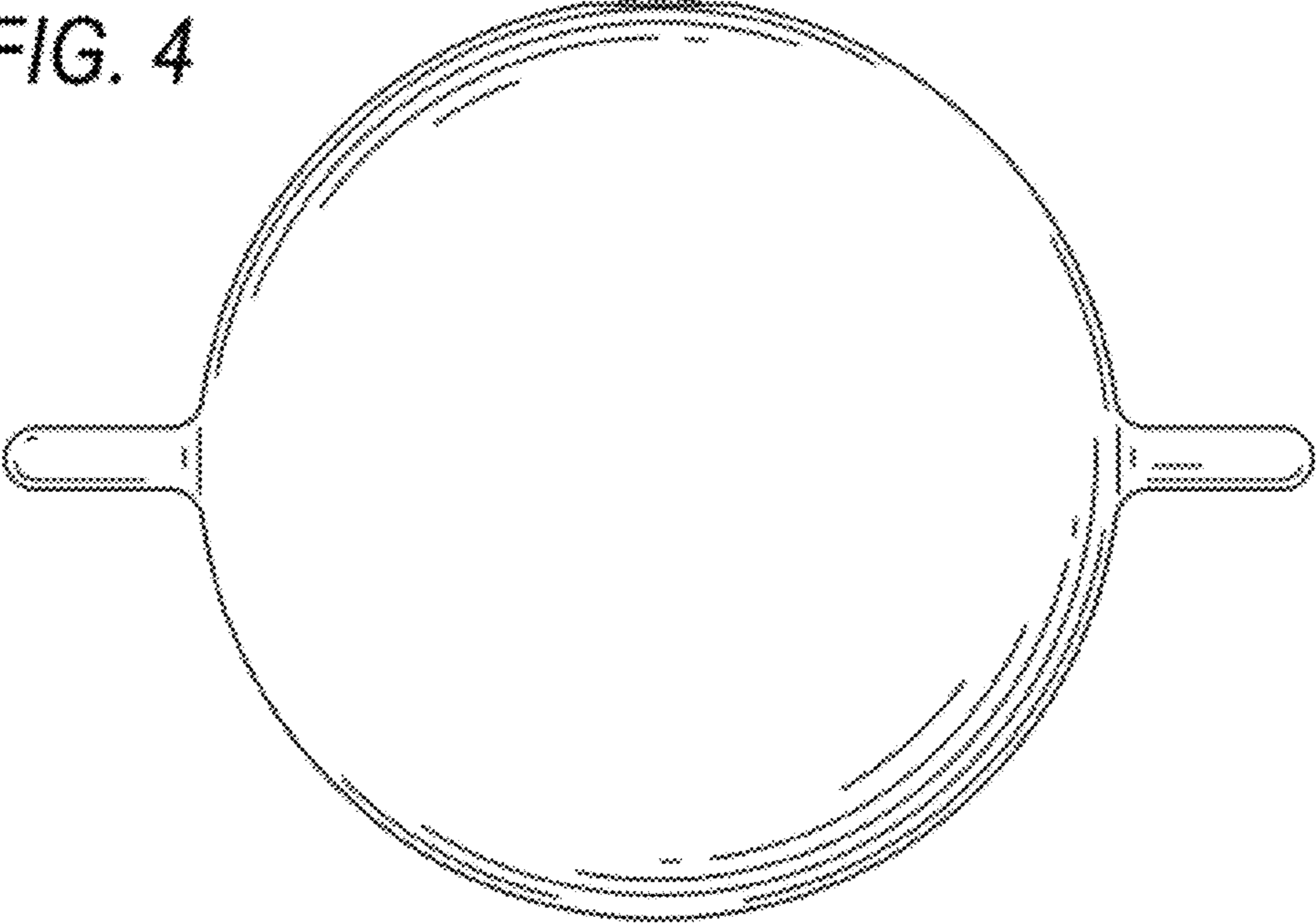


FIG. 5

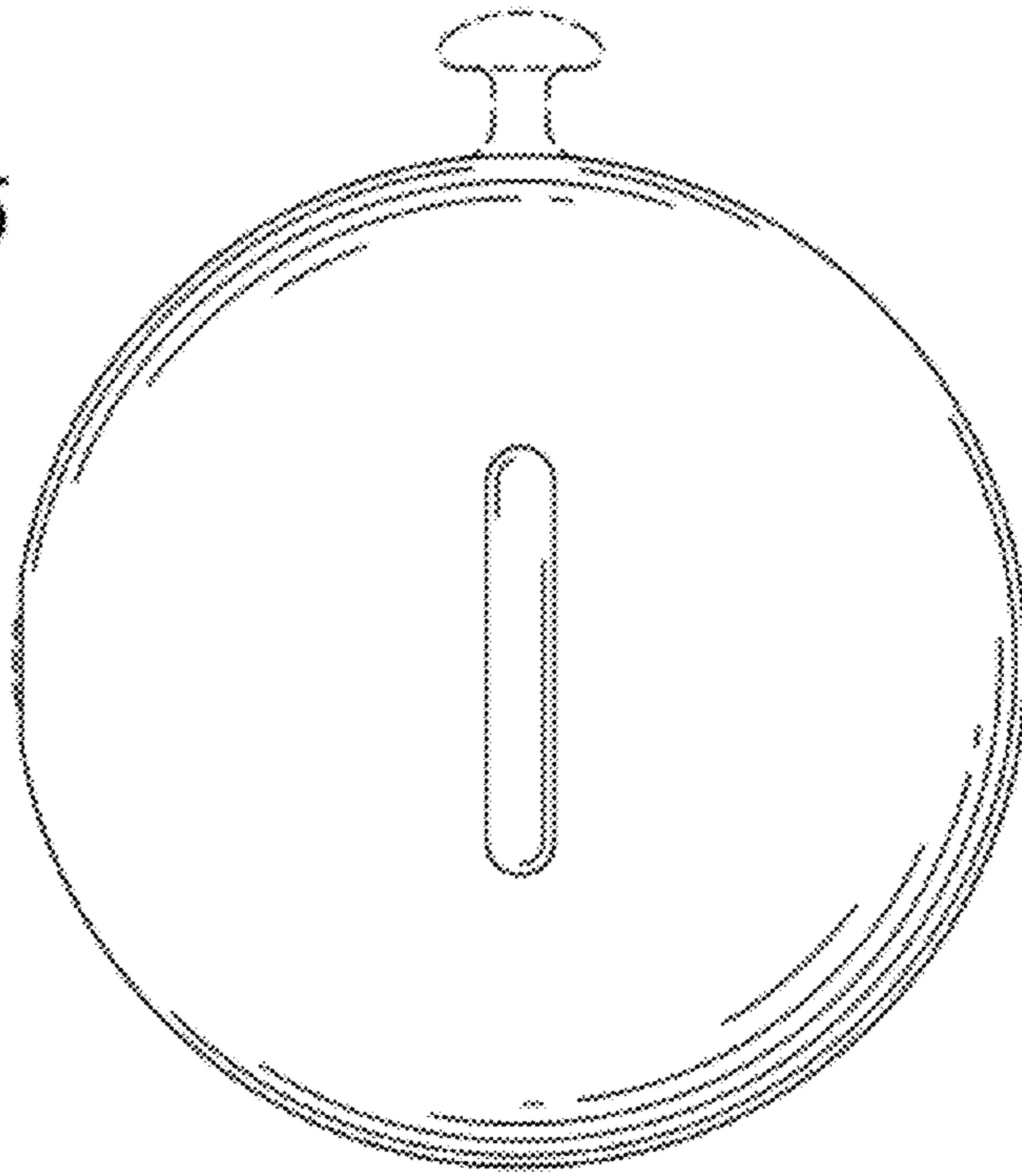


FIG. 6

