



US00D659200S

(12) **United States Design Patent**
Wicken

(10) **Patent No.:** **US D659,200 S**

(45) **Date of Patent:** **** May 8, 2012**

(54) **OUTDOOR INFLATABLE BALLOON WITH
BALLOON DISPLAY HOLDER AND
FLEXIBLE MOUNTING POLE**

7,611,395 B2 * 11/2009 Bonsembiante 446/220
* cited by examiner

(76) Inventor: **Christopher J. Wicken**, Denver, CO
(US)

Primary Examiner — Sandra Morris
(74) *Attorney, Agent, or Firm* — Edwin H. Crabtree; Ramon
L. Pizarro

(**) Term: **14 Years**

(57) **CLAIM**
The ornamental design for an outdoor inflatable balloon with
balloon display holder and flexible mounting pole, as shown
and described.

(21) Appl. No.: **29/373,413**

(22) Filed: **Apr. 7, 2011**

DESCRIPTION

(51) **LOC (9) Cl.** **21-01**

FIG. 1 is a front view of the outdoor inflatable balloon with
balloon display holder and flexible mounting pole. The rear
view, side view and opposite side view are identical to the
front view, as shown in this drawing;

(52) **U.S. Cl.** **D21/440**

(58) **Field of Classification Search** D11/166,
D11/172; D20/41; D21/400, 436, 439-440,
D21/453; 446/220, 224-226
See application file for complete search history.

FIG. 2 is a bottom view thereof and illustration my new
design;

FIG. 3 is a top view thereof and illustrating my new design;
and,

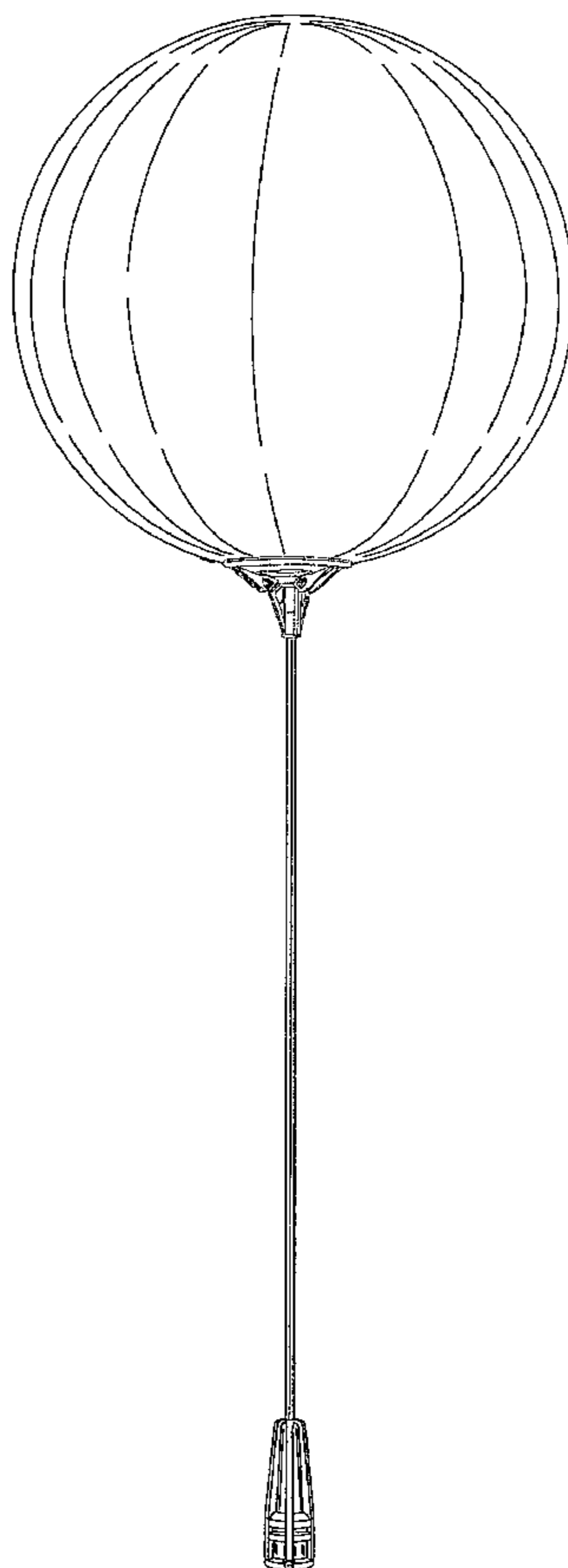
FIG. 4 is a perspective view of the outdoor inflatable balloon
with balloon display holder and flexible mounting pole
attached to a rear window of a vehicle. The broken lines
showing the rear window of the vehicle and portion of the
vehicle in FIG. 4 are for illustrative purposes only and form
no part of the claimed design.

(56) **References Cited**

U.S. PATENT DOCUMENTS

1,527,046	A *	2/1925	Ingram	D21/440
2,143,691	A *	1/1939	Goldberg et al.	446/220
3,892,081	A *	7/1975	Goral	446/220
6,969,295	B1 *	11/2005	Sidwell	446/220
D517,123	S *	3/2006	Sidwell	D20/42
7,588,477	B2 *	9/2009	Sidwell	446/224

1 Claim, 2 Drawing Sheets



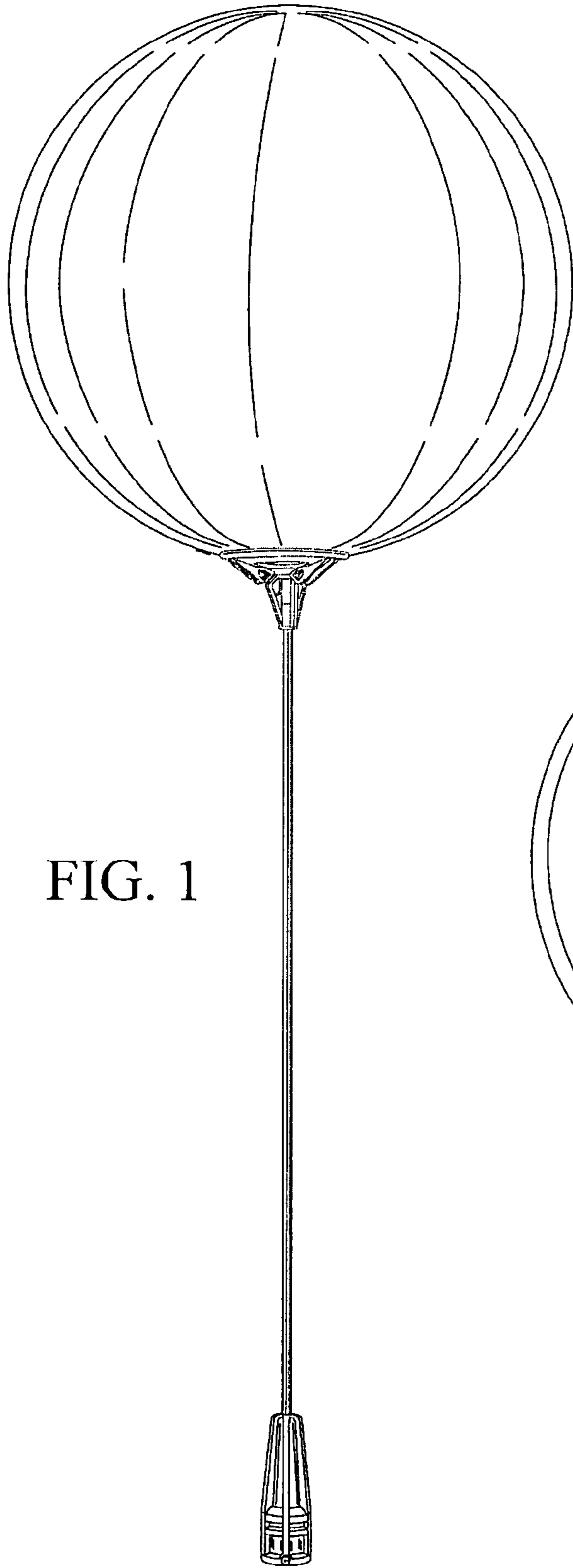


FIG. 1

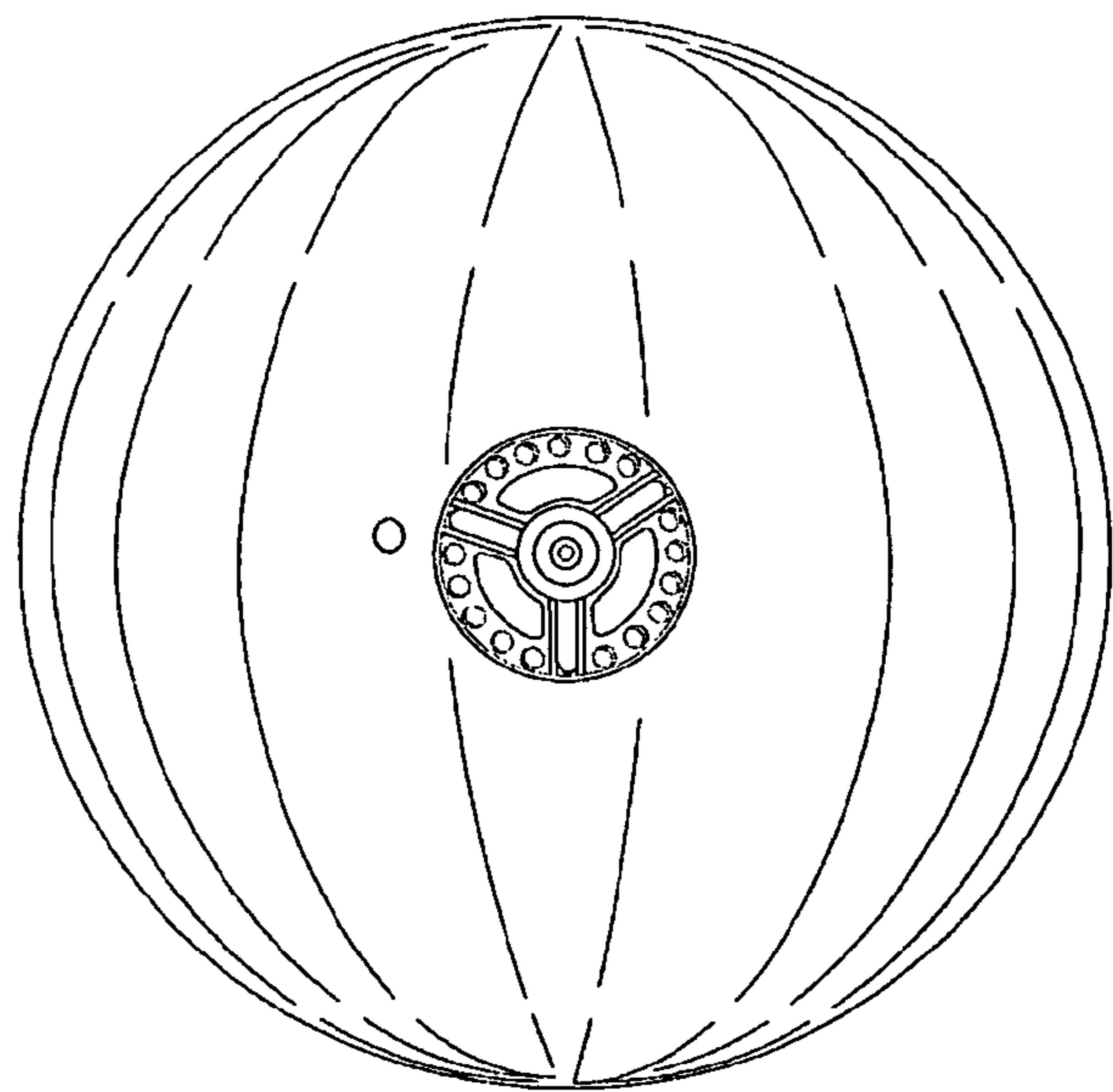


FIG. 2

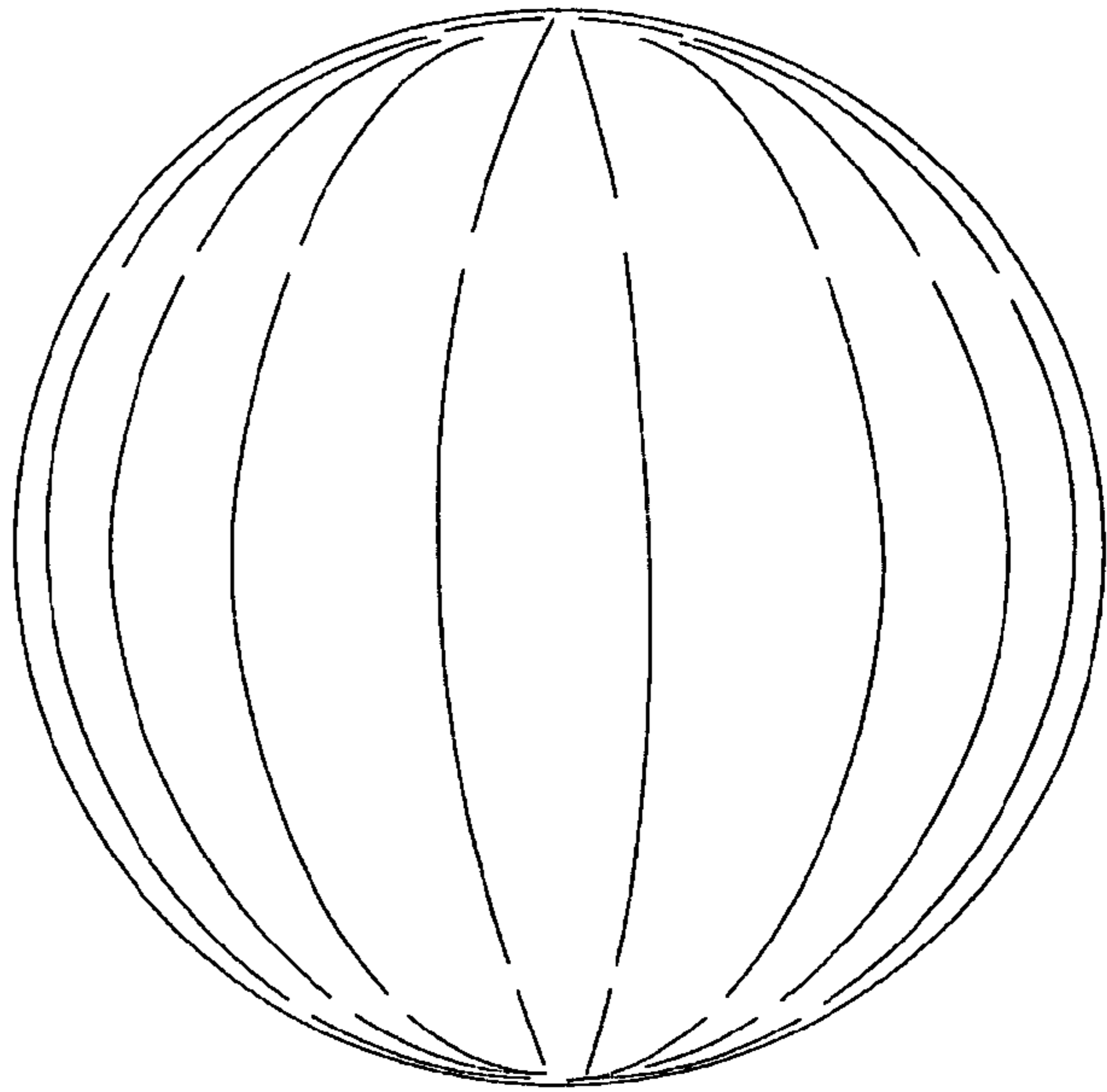
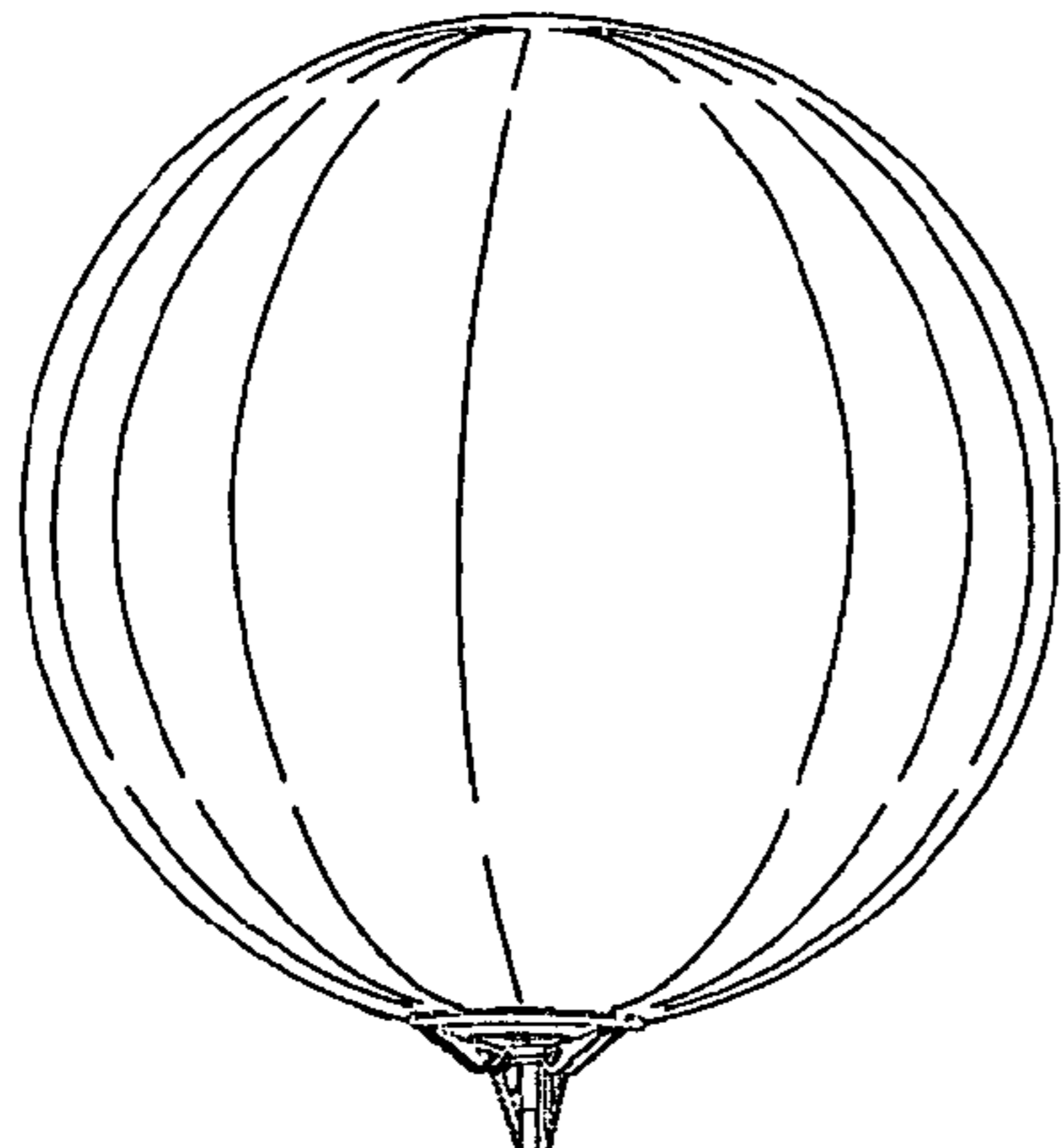


FIG. 3

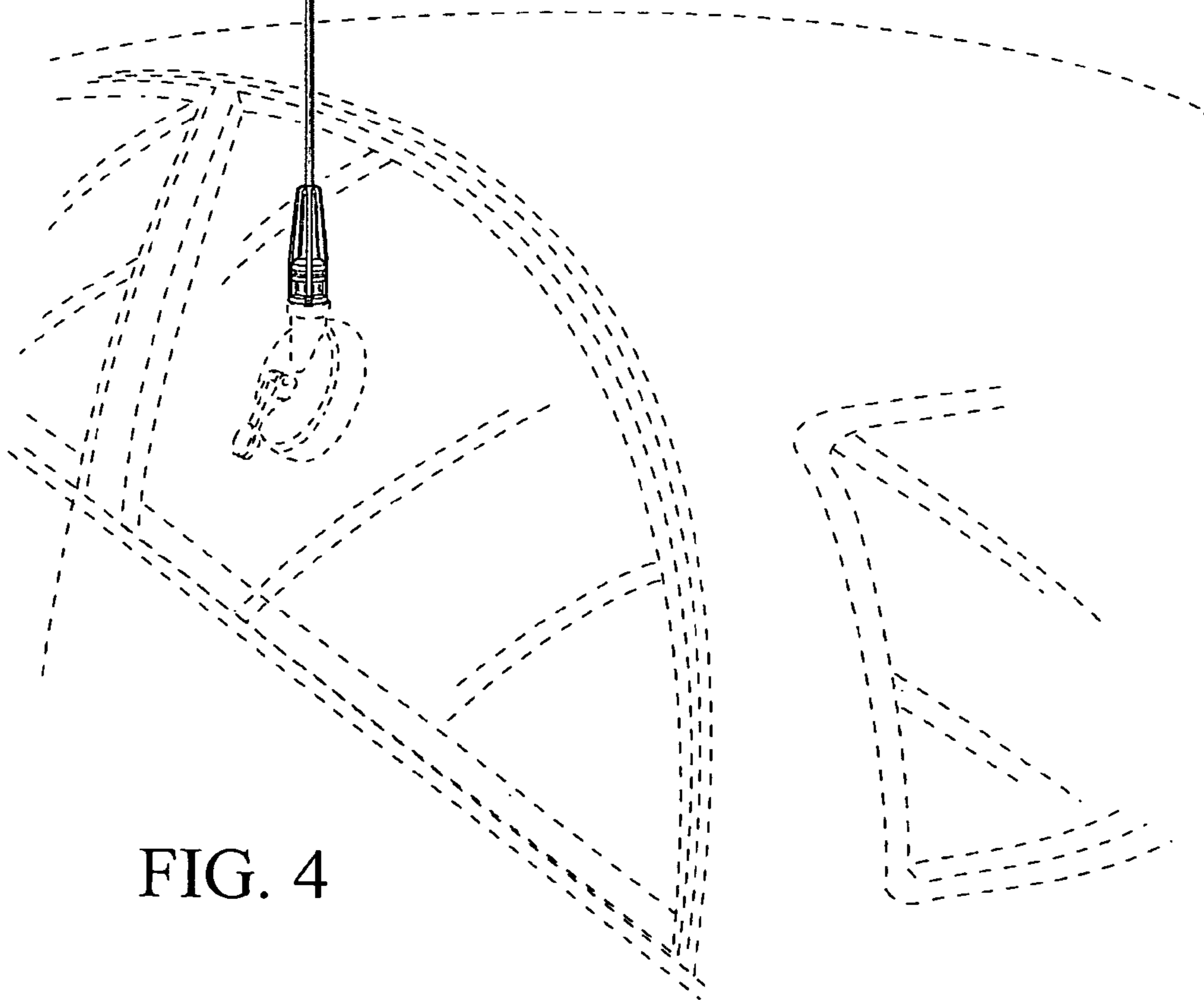


FIG. 4