

US00D659198S

(12) **United States Design Patent**  
**Hermann, II**

(10) **Patent No.:** **US D659,198 S**

(45) **Date of Patent:** **\*\* May 8, 2012**

(54) **RING GAME**

(76) Inventor: **Grover M. Hermann, II**, Columbus,  
OH (US)

(\*\*) Term: **14 Years**

(21) Appl. No.: **29/382,944**

(22) Filed: **Jan. 10, 2011**

(51) **LOC (9) Cl.** ..... **21-01**

(52) **U.S. Cl.** ..... **D21/300**

(58) **Field of Classification Search** ..... D21/300,  
D21/304, 302, 324, 328, 333; 273/336, 337,  
273/348, 288, 148 R, 148 B, 332, 440, 459,  
273/153 R; 463/1, 36, 37, 46, 47; 345/166

See application file for complete search history.

(56) **References Cited**

U.S. PATENT DOCUMENTS

3,237,947	A *	3/1966	Masters	.....	473/589
3,659,849	A *	5/1972	Seymour	.....	473/514
4,519,611	A *	5/1985	Sands	.....	273/126 R
D285,811	S *	9/1986	Donahoe	.....	D21/304
4,632,399	A *	12/1986	Bern	.....	273/155

4,635,942	A *	1/1987	Flaherty, Jr.	.....	273/332
5,181,009	A *	1/1993	Perona	.....	340/407.1
D370,032	S *	5/1996	Bidwell et al.	.....	D21/304
5,799,938	A *	9/1998	Lewis	.....	273/118 R
6,460,849	B1 *	10/2002	Bean	.....	273/155
7,022,036	B2 *	4/2006	DuFlon et al.	.....	473/570
D534,220	S *	12/2006	Beal et al.	.....	D21/311
8,057,290	B2 *	11/2011	Vance et al.	.....	463/7

\* cited by examiner

*Primary Examiner* — Prabhakar Deshmukh

(74) *Attorney, Agent, or Firm* — Jason H. Foster; Kremblas & Foster

(57) **CLAIM**

The ornamental design for a ring game, as shown.

**DESCRIPTION**

FIG. 1 is a front view of a ring game showing my new design.

FIG. 2 is a rear view thereof.

FIG. 3 is a left side view thereof.

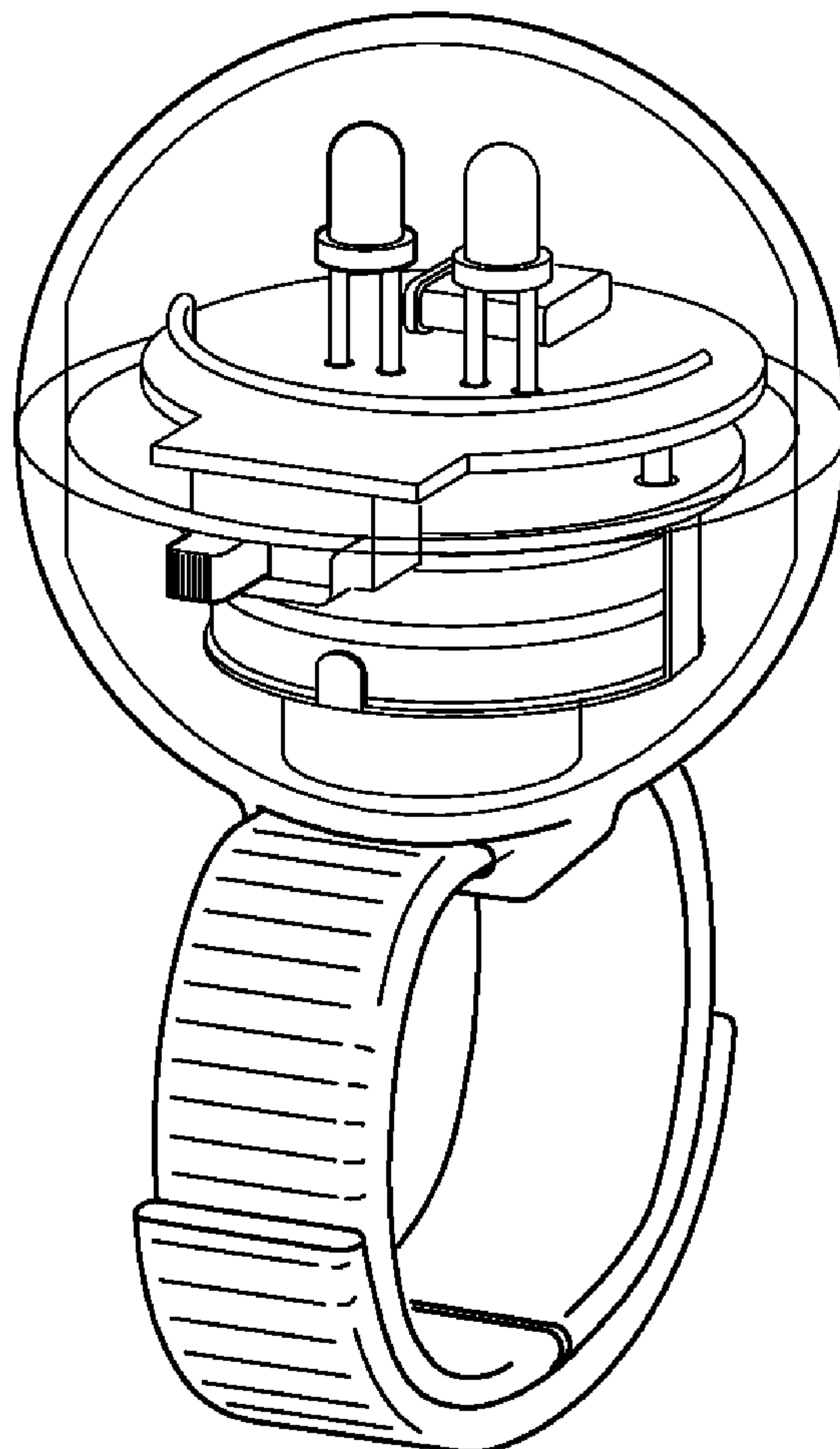
FIG. 4 is a right side view thereof.

FIG. 5 is a top view thereof.

FIG. 6 is a bottom view thereof; and,

FIG. 7 is a perspective view thereof.

**1 Claim, 2 Drawing Sheets**



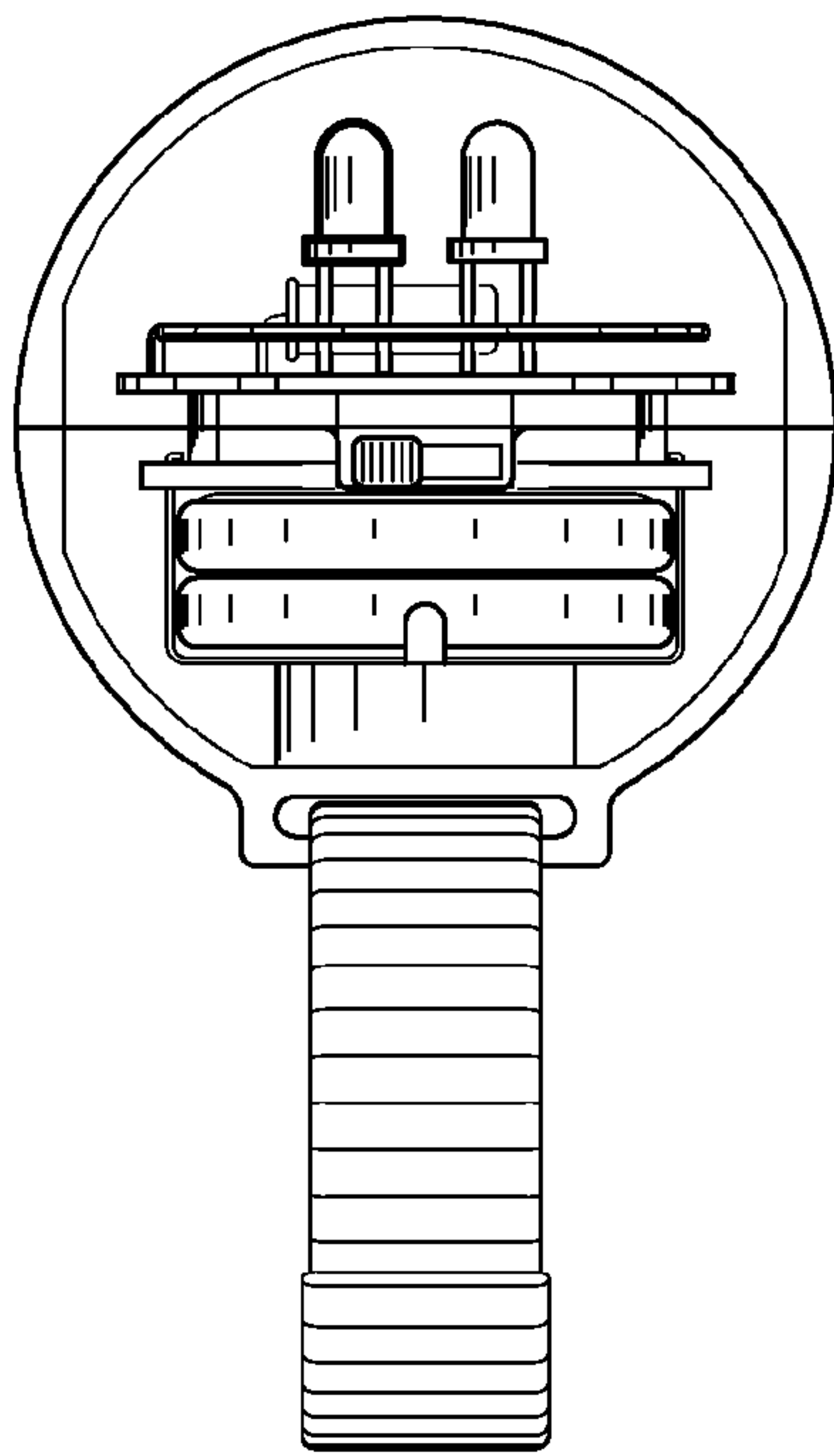


FIG-1

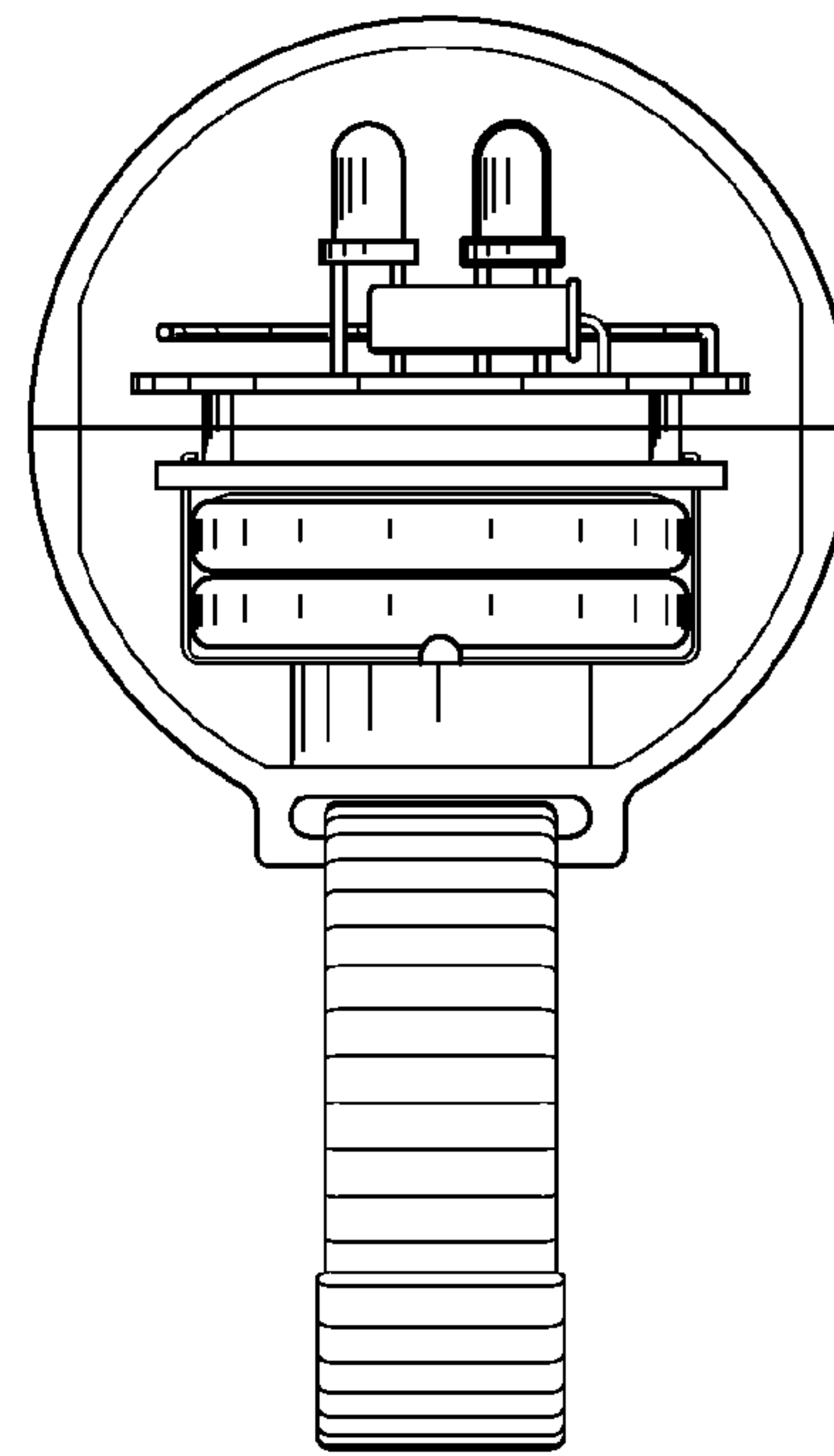


FIG-2

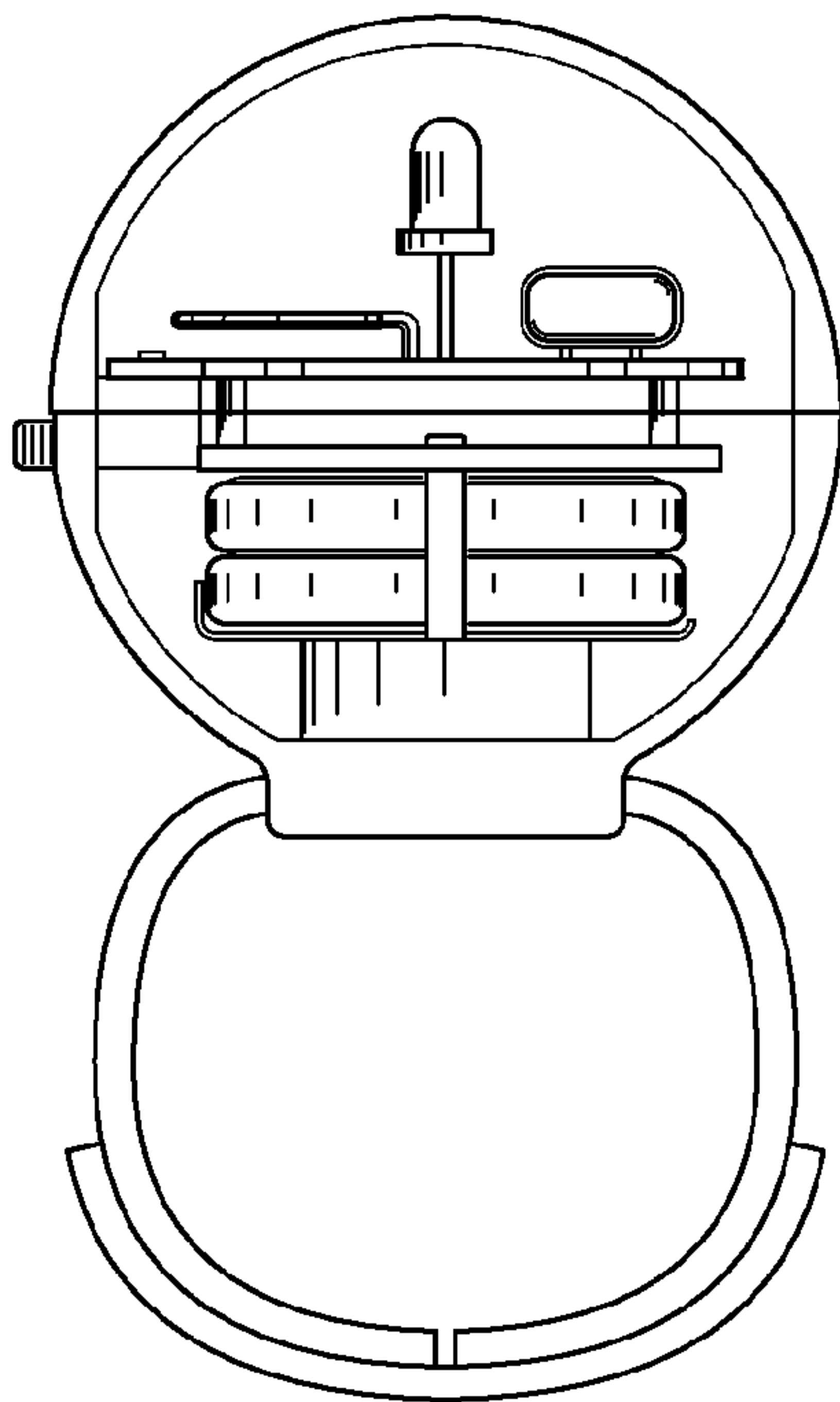


FIG-3

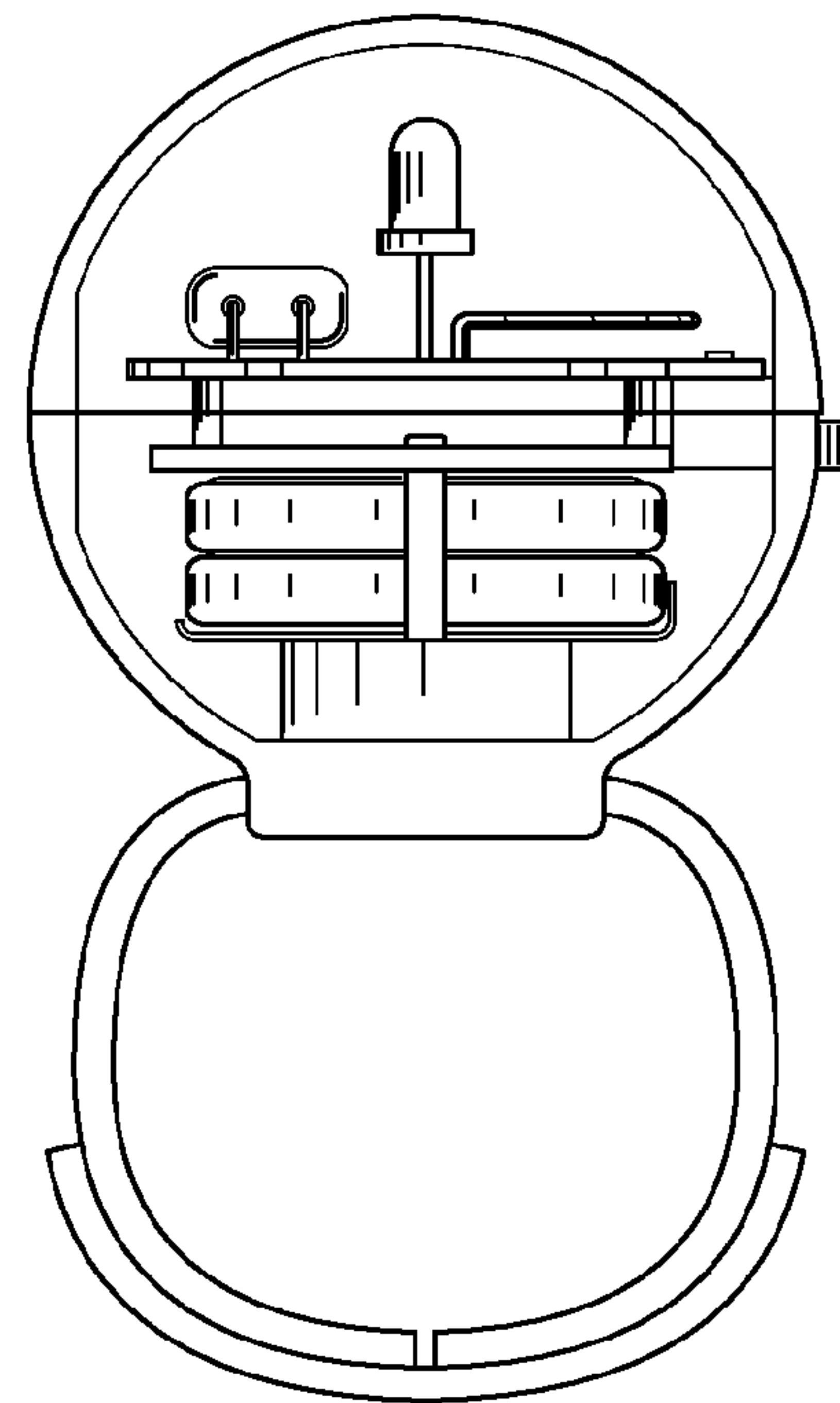
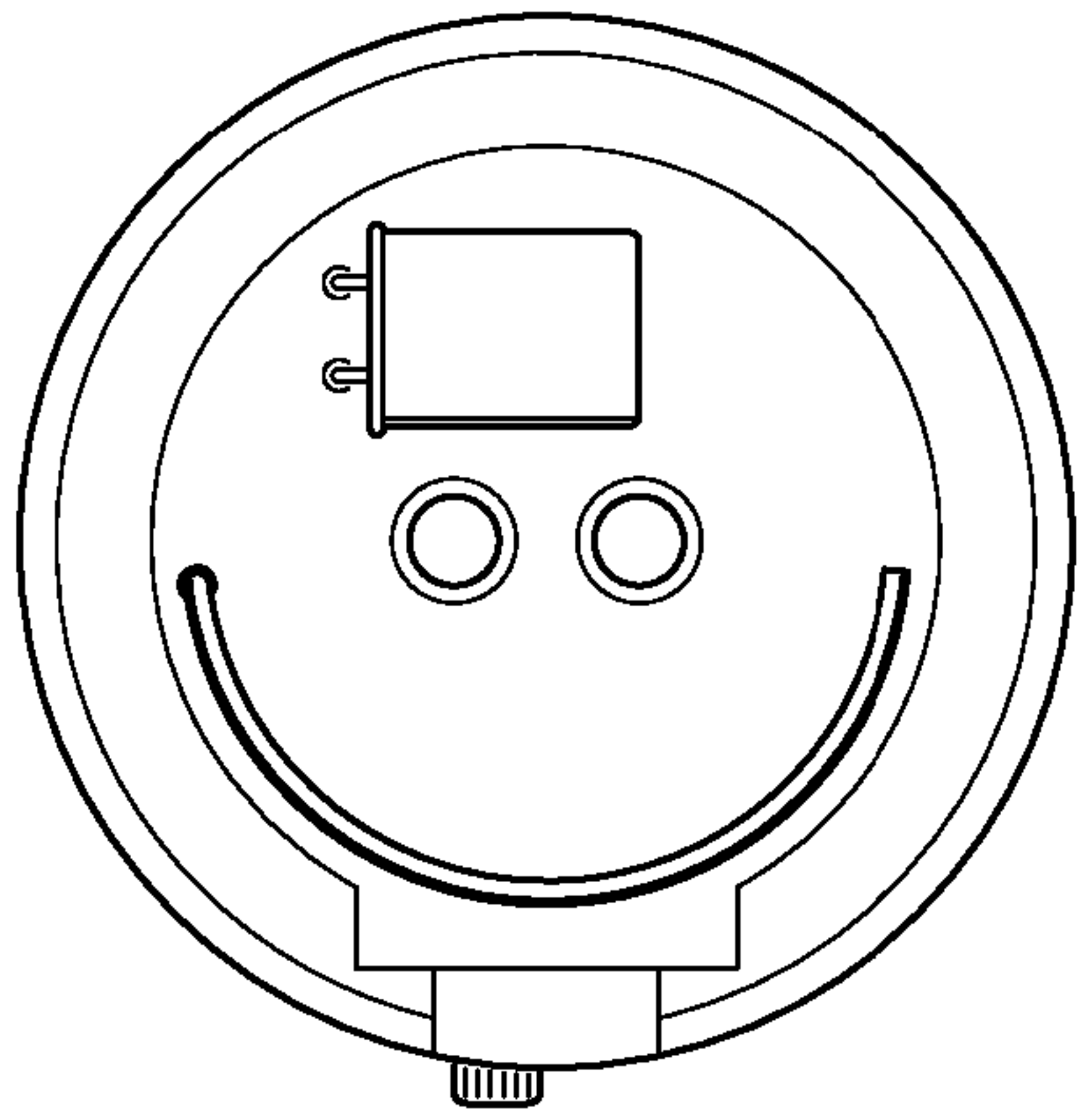
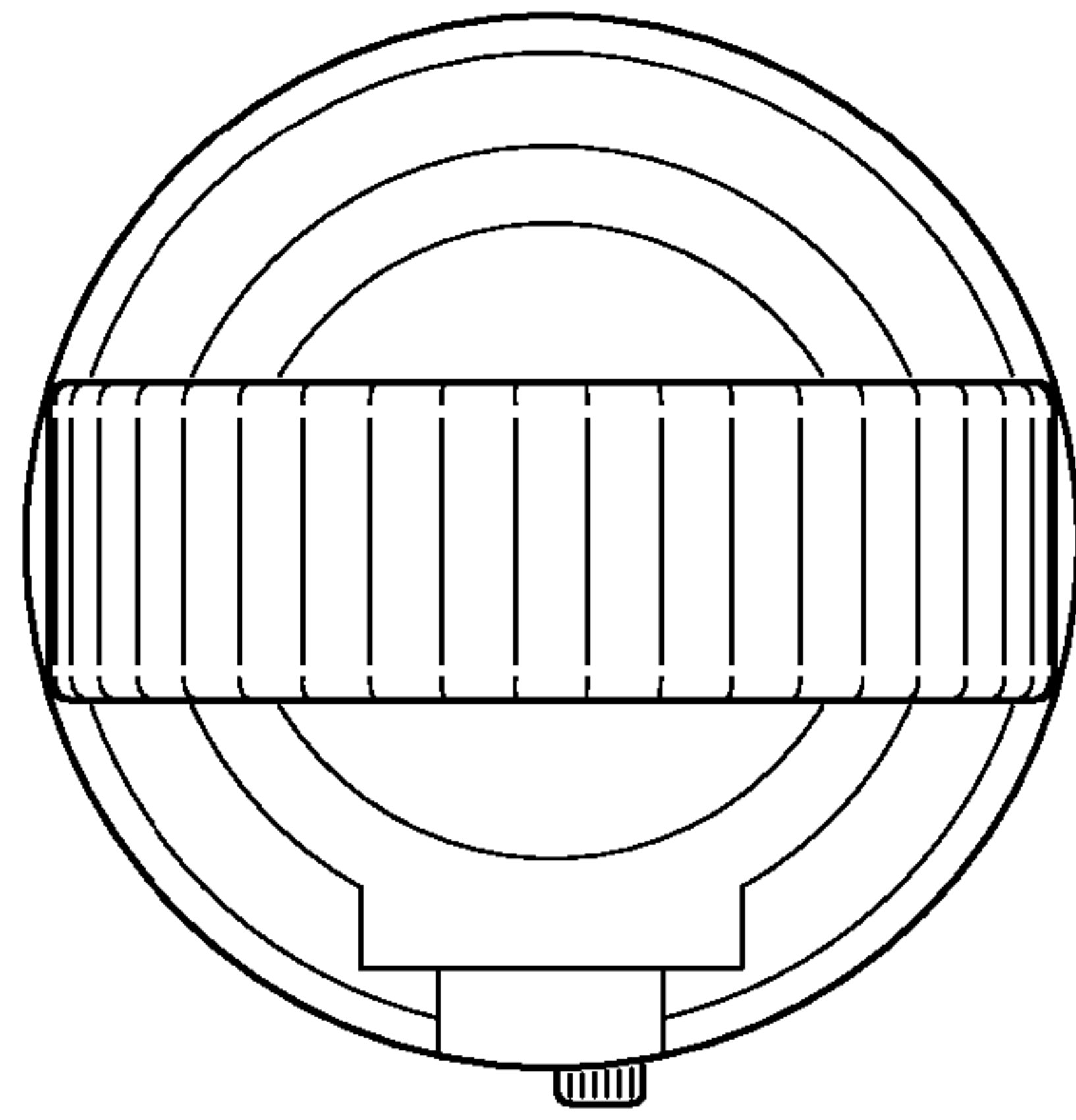


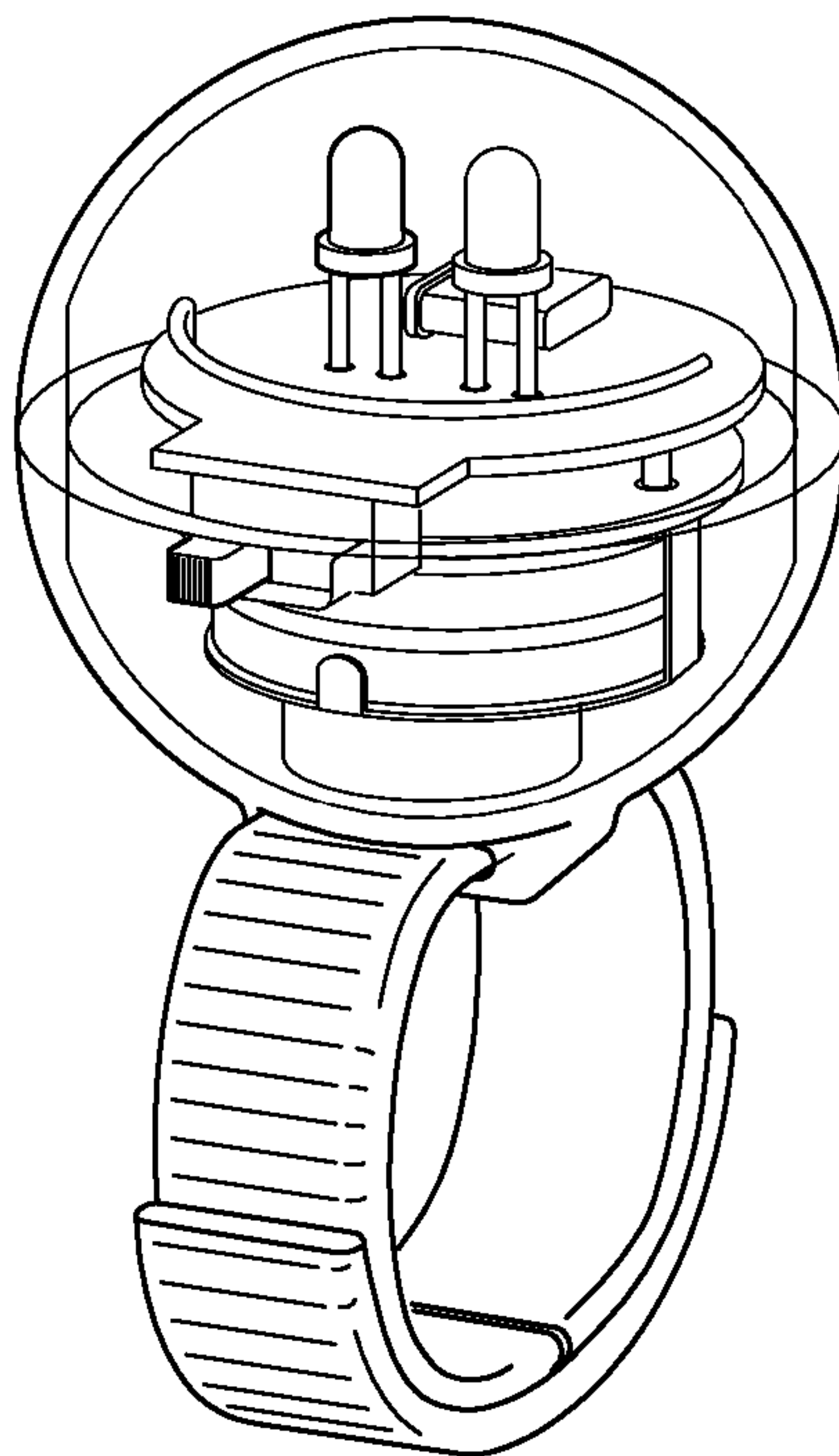
FIG-4



**FIG-5**



**FIG-6**



**FIG-7**