



US00D659196S

(12) **United States Design Patent**
Walker

(10) **Patent No.:** **US D659,196 S**

(45) **Date of Patent:** **** May 8, 2012**

(54) **FLAG SIGN HOLDER**

(75) Inventor: **William H. Walker**, Fairlawn, OH (US)

(73) Assignee: **Fasteners For Retail, Inc.**, Twinsburg, OH (US)

(**) Term: **14 Years**

(21) Appl. No.: **29/404,157**

(22) Filed: **Oct. 17, 2011**

(51) **LOC (9) Cl.** **20-03**

(52) **U.S. Cl.** **D20/43**

(58) **Field of Classification Search** D20/10,
D20/19, 43, 44, 99; 40/316, 606.01, 641,
40/642.02, 647-655, 658, 660, 661, 661.07,
40/661.08, 661.11, 662, 666, 667; D8/373;
24/336; 248/220.1, 231.81, 289.11

See application file for complete search history.

(56) **References Cited**

U.S. PATENT DOCUMENTS

4,378,617	A *	4/1983	Burns	24/336
5,170,578	A *	12/1992	Pampel	40/316
5,199,203	A *	4/1993	Jones	40/641
5,375,803	A	12/1994	Kump		
D366,207	S *	1/1996	Thompson	D8/373
D425,134	S *	5/2000	Kump	D20/43
6,082,687	A *	7/2000	Kump et al.	248/220.41
D440,606	S	4/2001	Mueller		
6,378,828	B1 *	4/2002	Valiulis et al.	248/231.81
D487,290	S *	3/2004	Kosir	D20/42

D496,693	S	9/2004	Mueller		
D508,960	S	8/2005	Mueller		
D547,807	S	7/2007	Wamsley		
7,258,315	B2	8/2007	Wamsley		
D618,282	S *	6/2010	Kosir	D20/43
2004/0195483	A1 *	10/2004	Padiak et al.	248/289.11
2005/0167555	A1 *	8/2005	Wamsley	248/231.81

OTHER PUBLICATIONS

FFR-DSI Yellow Pages 2010 Product Catalog, cover page and pp. 133, 142, 149, 151, 165, 169, 171, 179 and 180.

* cited by examiner

Primary Examiner — Mary Ann Calabrese

(74) *Attorney, Agent, or Firm* — Fay Sharp LLP

(57) **CLAIM**

The ornamental design for a flag sign holder, as shown and described.

DESCRIPTION

FIG. 1 is a perspective view of a flag sign holder showing my new design;

FIG. 2 is a left side elevational view thereof;

FIG. 3 is a top plan view thereof;

FIG. 4 is bottom plan view thereof;

FIG. 5 is a rear elevational view thereof;

FIG. 6 is front elevational view thereof; and,

FIG. 7 is a right side elevational view thereof.

1 Claim, 2 Drawing Sheets

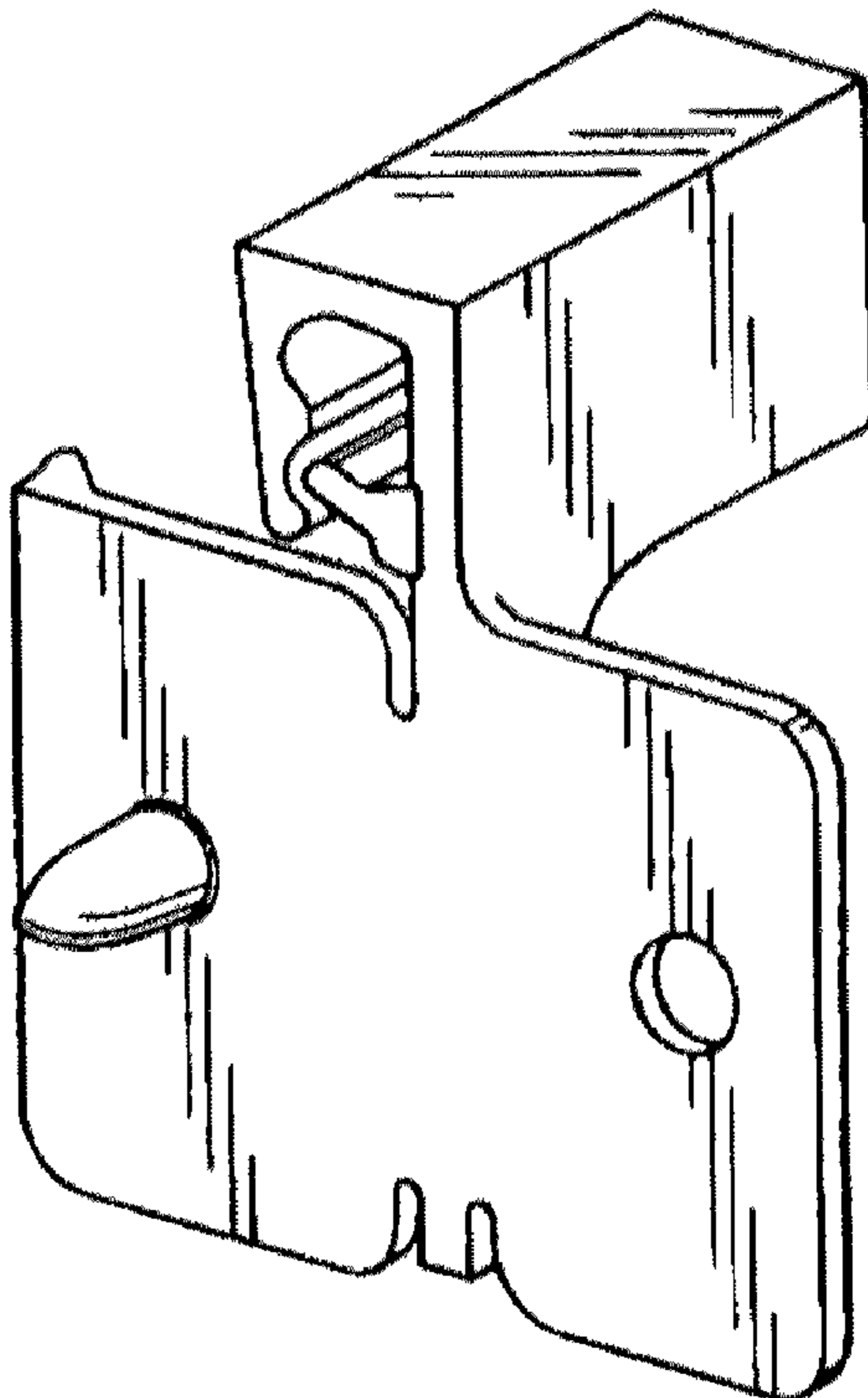


FIG. 1

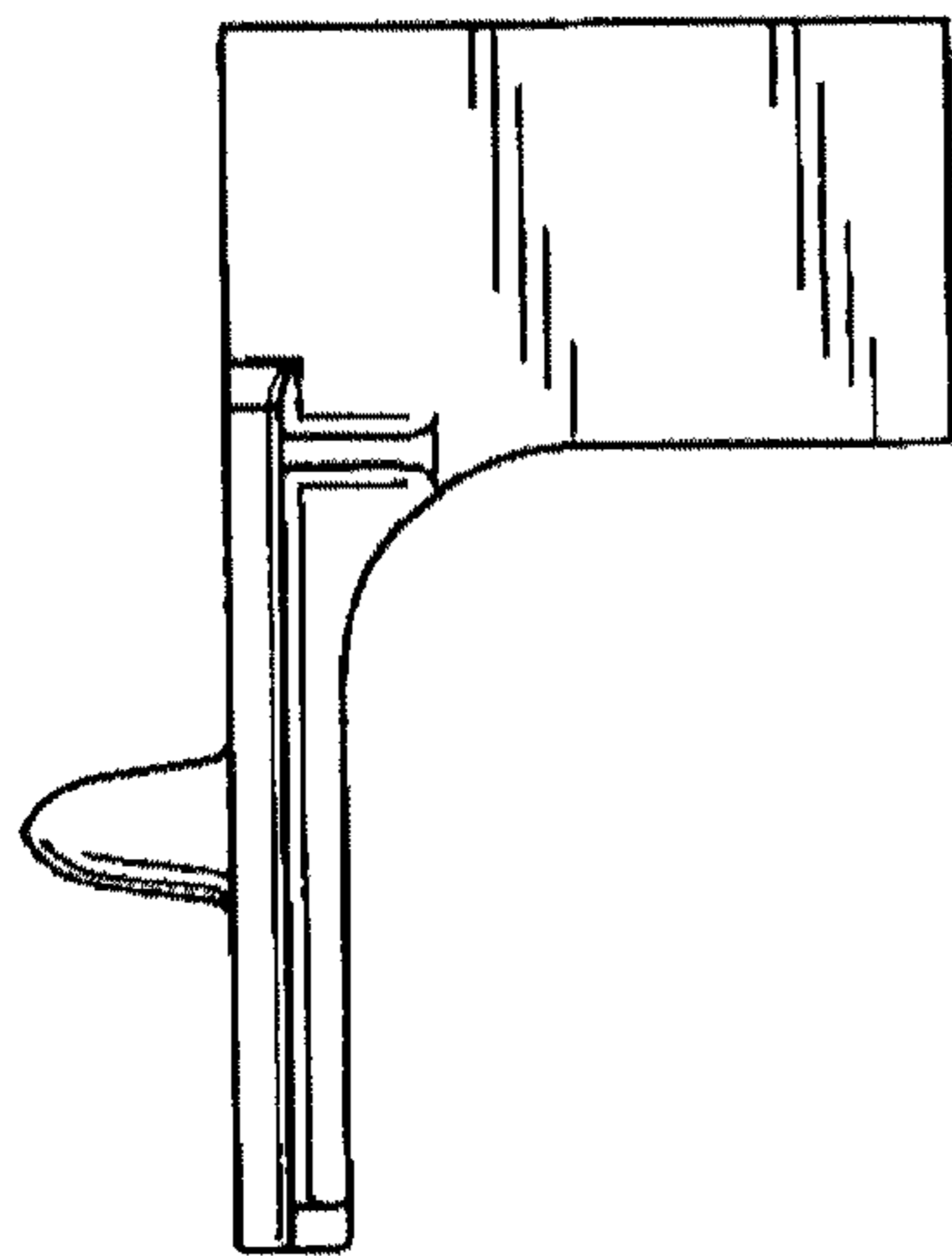
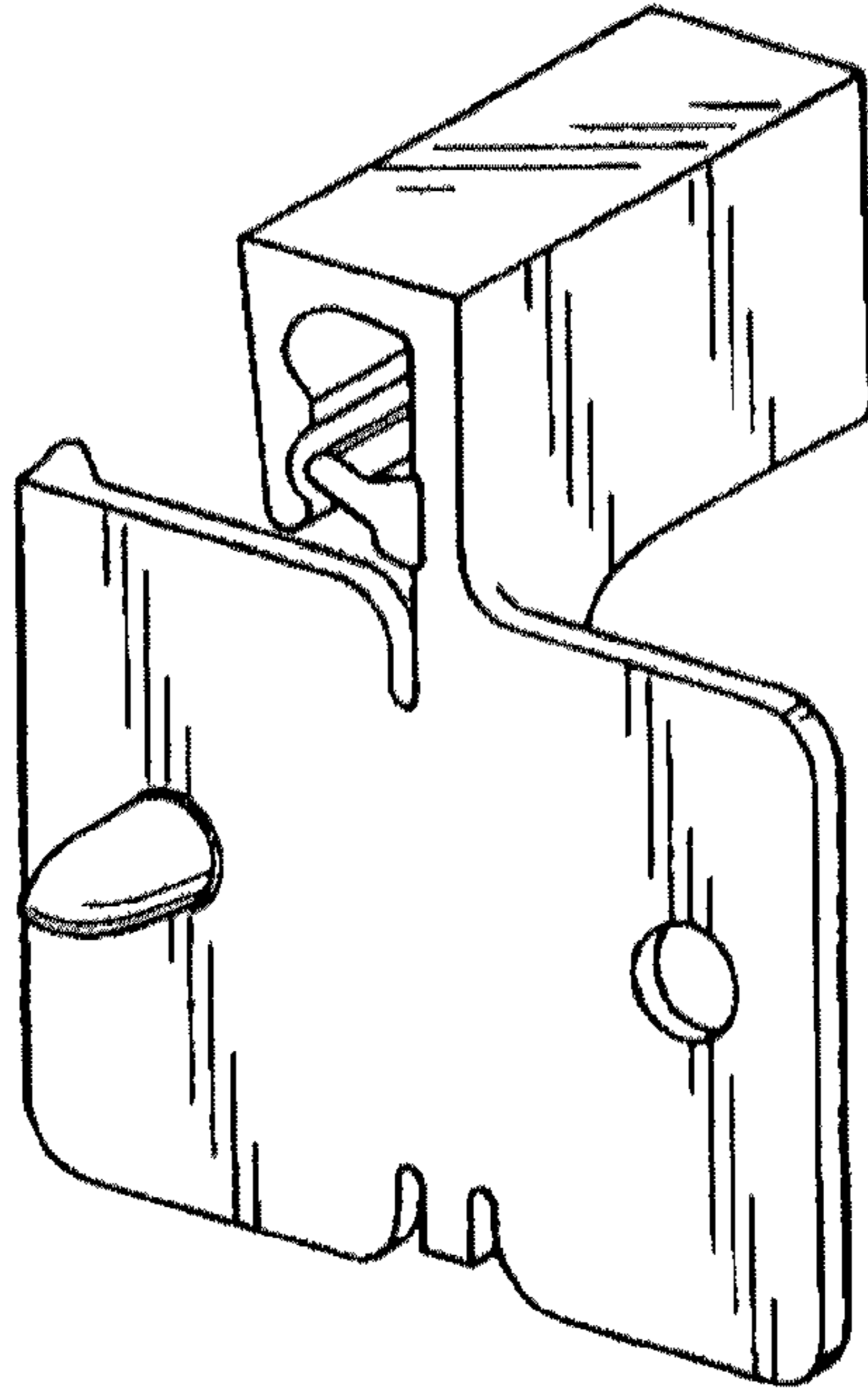


FIG. 6

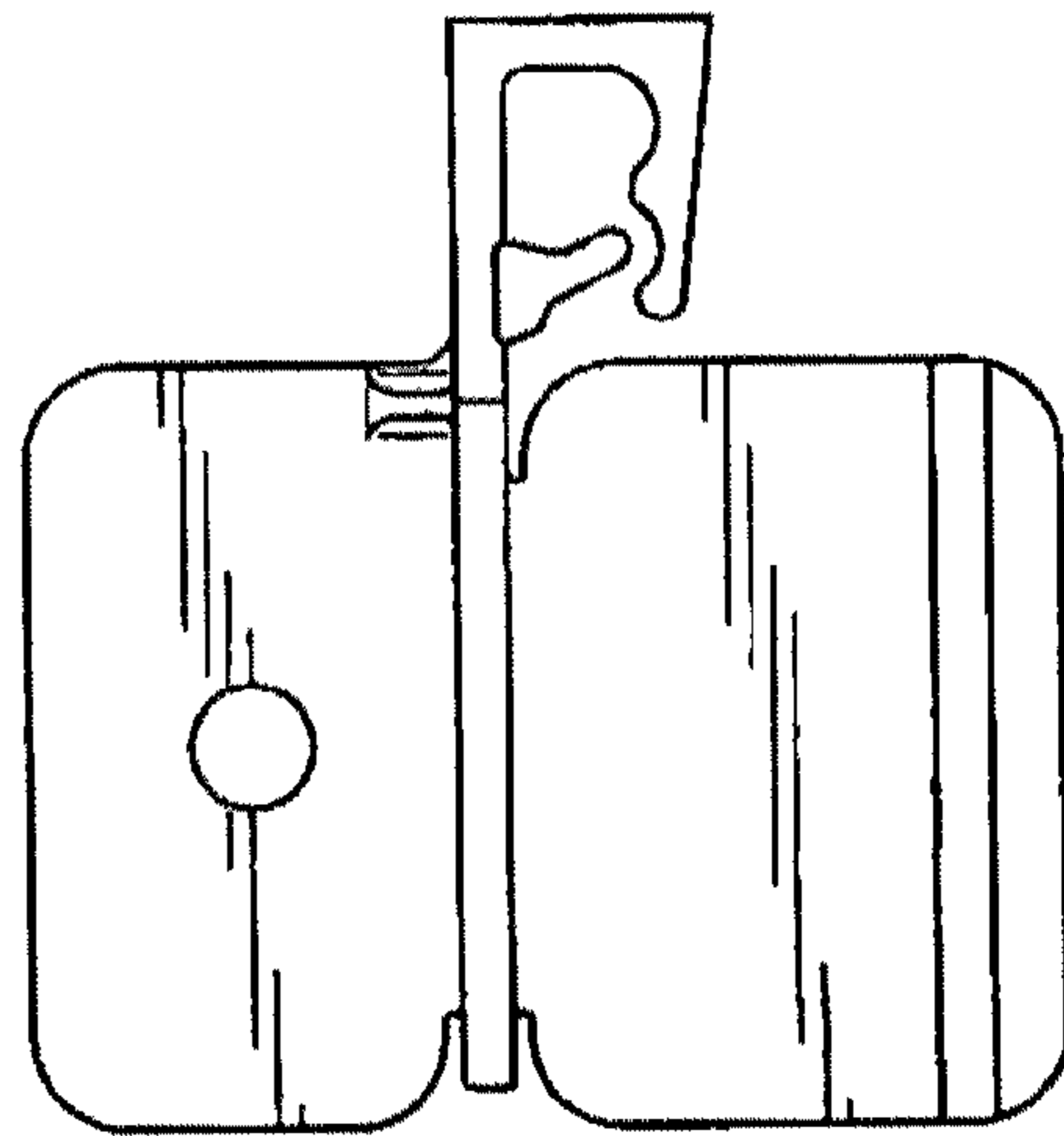


FIG. 7

FIG. 3

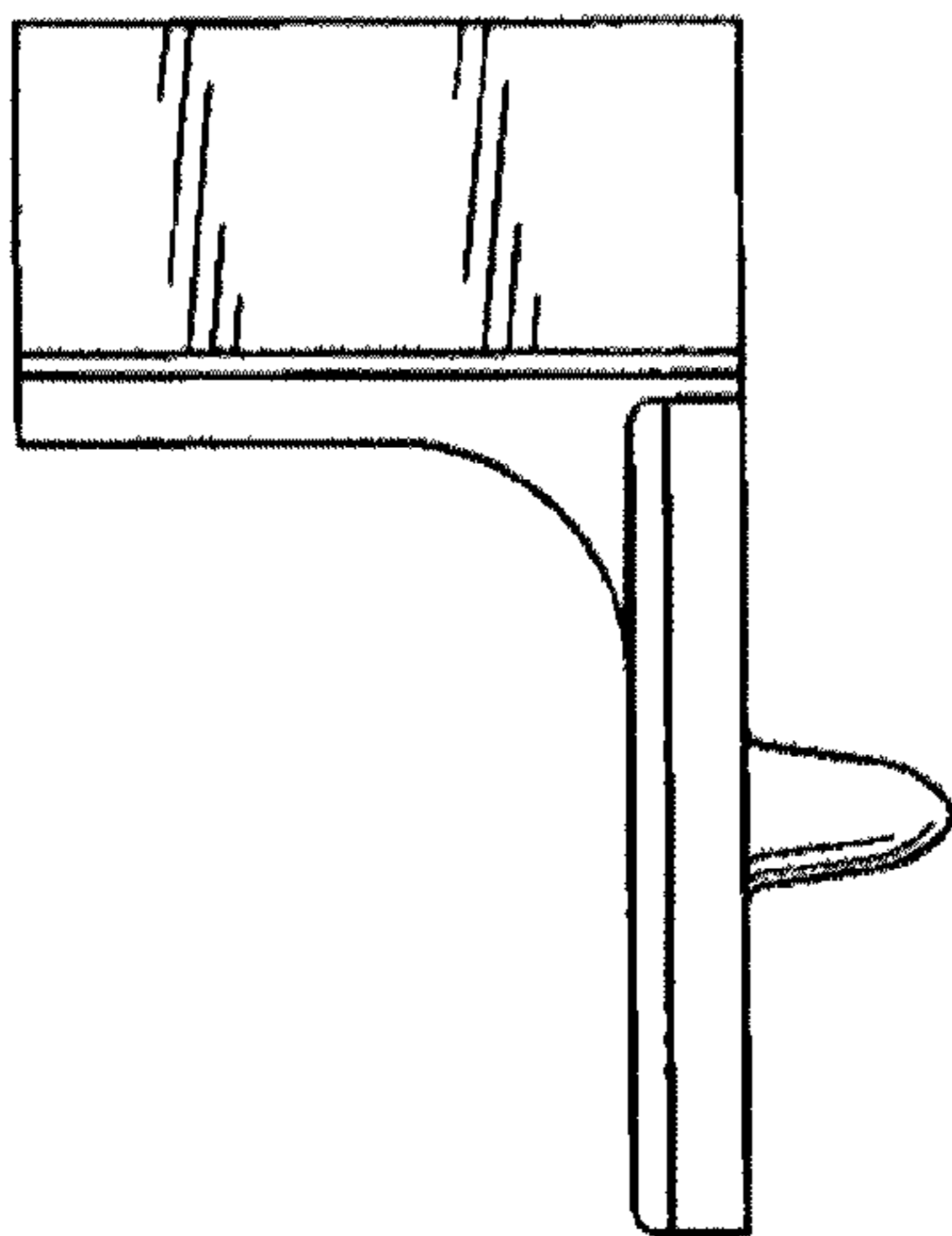
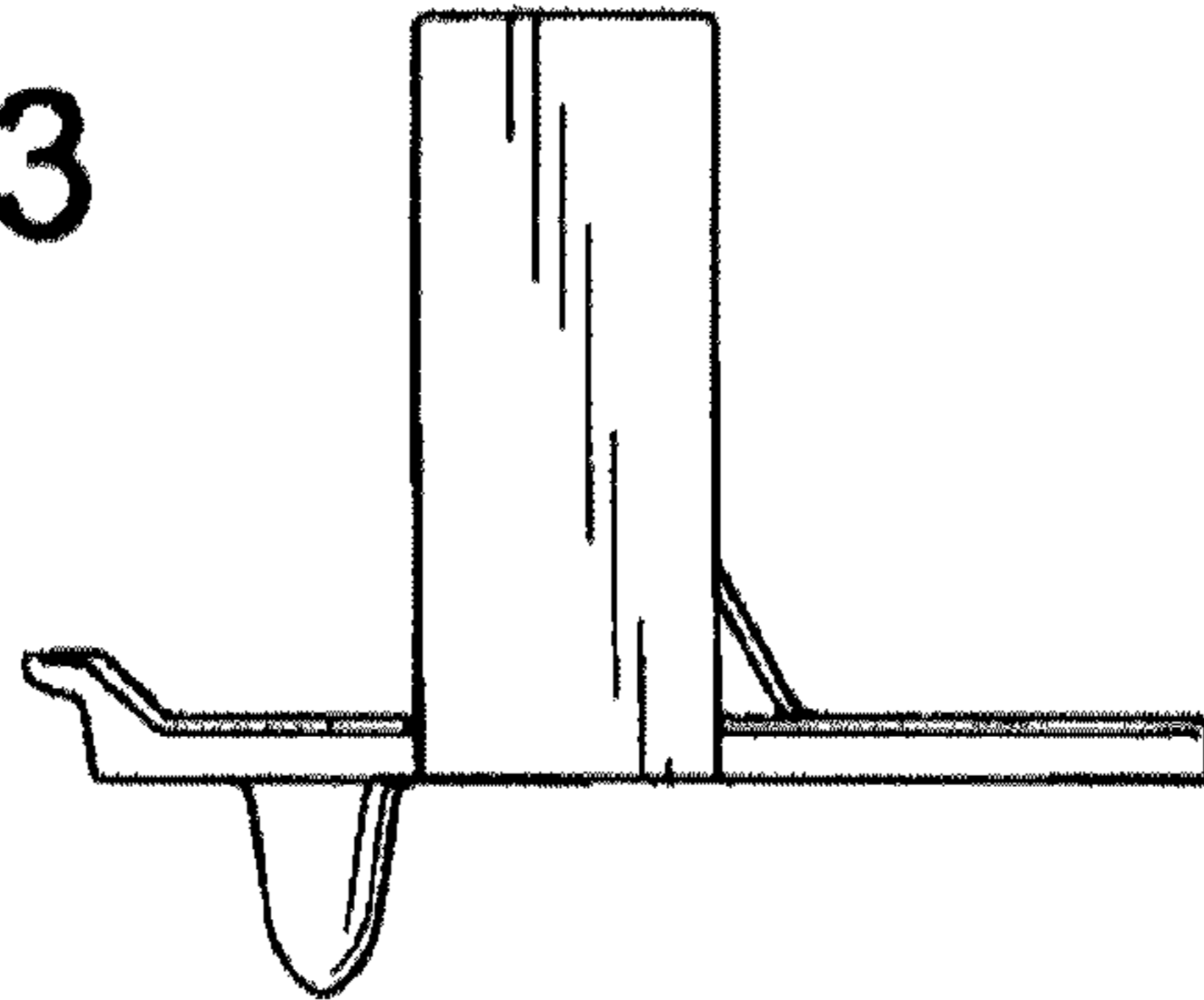


FIG. 5

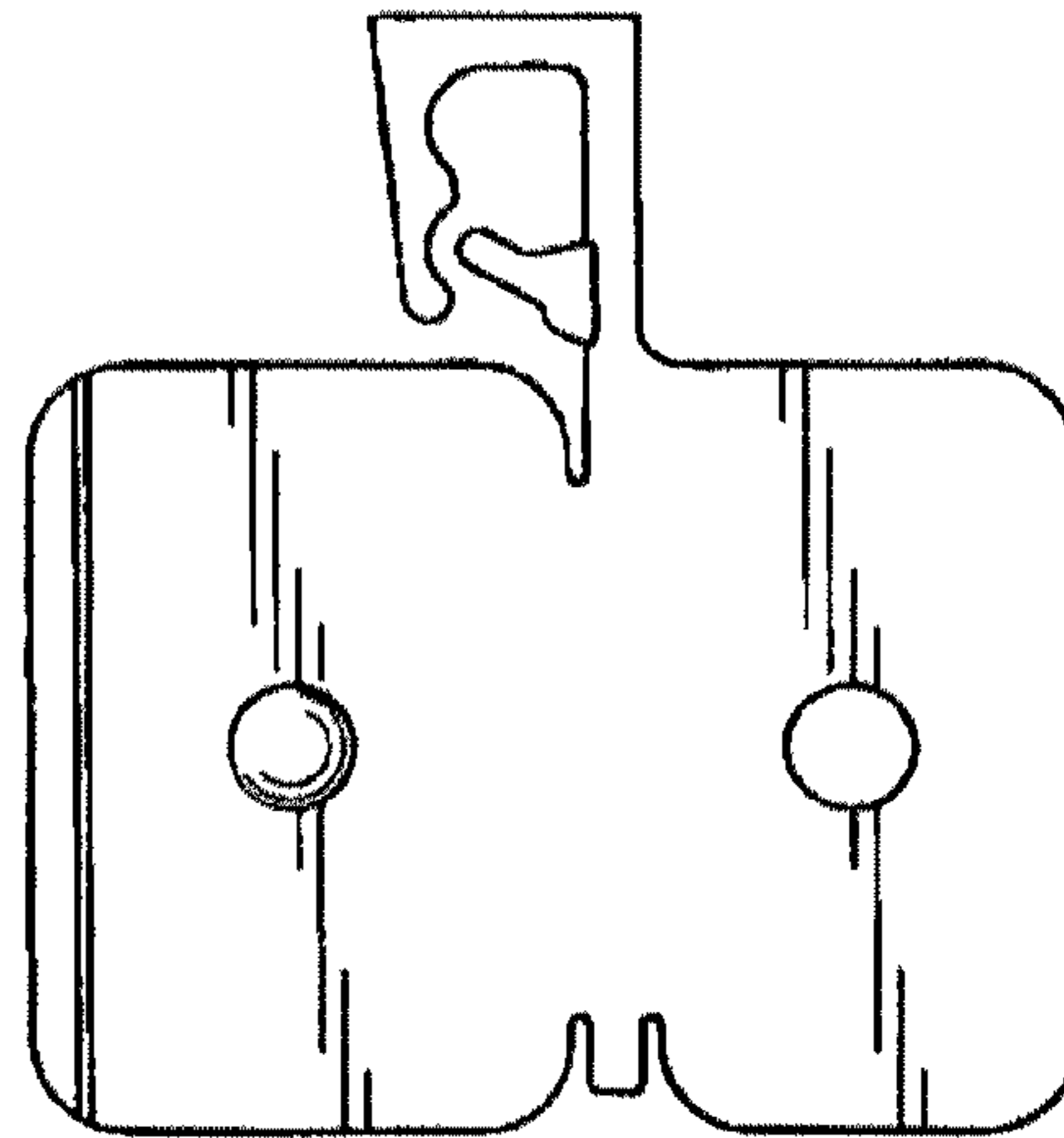


FIG. 2

FIG. 4

