



US00D659193S

(12) **United States Design Patent**
Newman

(10) **Patent No.:** **US D659,193 S**
(45) **Date of Patent:** **** May 8, 2012**

(54) **STICKER**

(75) Inventor: **Richard Newman**, Edinburgh (GB)

(73) Assignee: **Max-Gear Europe Limited**, Watford (GB)

(**) Term: **14 Years**

(21) Appl. No.: **29/394,070**

(22) Filed: **Jun. 13, 2011**

(30) **Foreign Application Priority Data**

Dec. 13, 2010 (GB) 4018105

Dec. 13, 2010 (GB) 4018106

(51) **LOC (9) Cl.** **19-08**

(52) **U.S. Cl.** **D20/27**

(58) **Field of Classification Search** D20/10,
D20/11, 19, 22-28, 40, 99; 40/5, 6, 124.01-124.09,
40/124.11-124.19, 124.191, 299.01, 309,
40/312, 313, 359, 360, 584, 662; D9/433,
D9/456, 457; D24/125, 189; 283/56, 71,
283/81, 101, 105, 106; 206/308.1; 229/67.3,
229/68.1, 74, 75; 428/40.1, 42.1-42.3, 43,
428/914; 493/216

See application file for complete search history.

(56) **References Cited**

U.S. PATENT DOCUMENTS

D32,740	S	*	5/1900	Smith	D9/433
1,158,912	A	*	11/1915	Fitzgerald	40/666
1,677,022	A	*	7/1928	Deutschmeister	229/68.1
3,764,447	A	*	10/1973	Duff	428/43
3,897,720	A	*	8/1975	Hiersteiner	493/216
5,400,954	A	*	3/1995	Kaye	229/75
5,722,538	A	*	3/1998	Neely et al.	206/308.1
5,909,805	A	*	6/1999	Neely	206/308.1
D451,554	S	*	12/2001	Fasano	D20/22
6,354,486	B1	*	3/2002	Ho	229/67.3
D570,921	S	*	6/2008	Egros	D20/27
D615,402	S	*	5/2010	Doster	D9/457
2010/0095573	A1	*	4/2010	Lifshitz	40/662
2011/0203950	A1	*	8/2011	Yancosek, Jr.	206/308.1
2011/0244162	A1	*	10/2011	Honda	428/42.2

* cited by examiner

Primary Examiner — Mary Ann Calabrese

(74) *Attorney, Agent, or Firm* — Blank Rome LLP

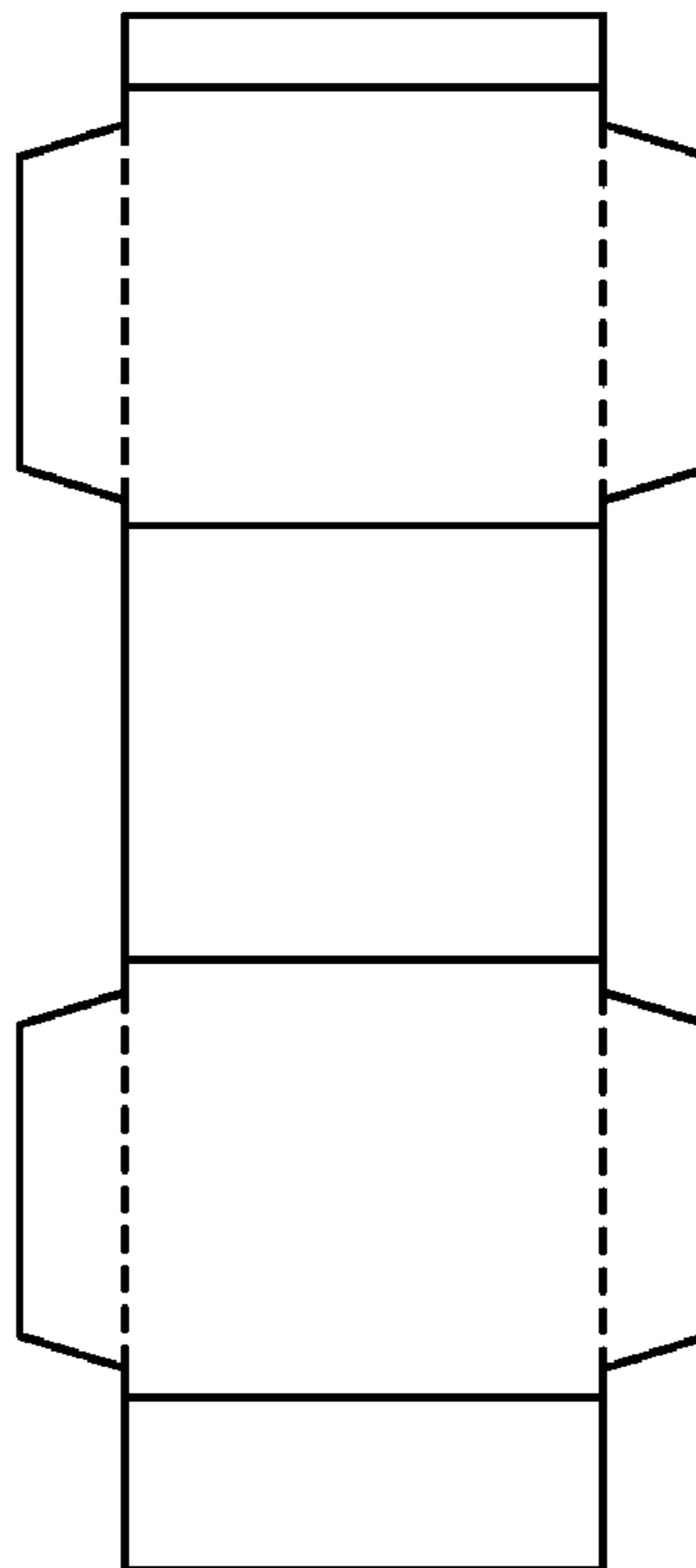
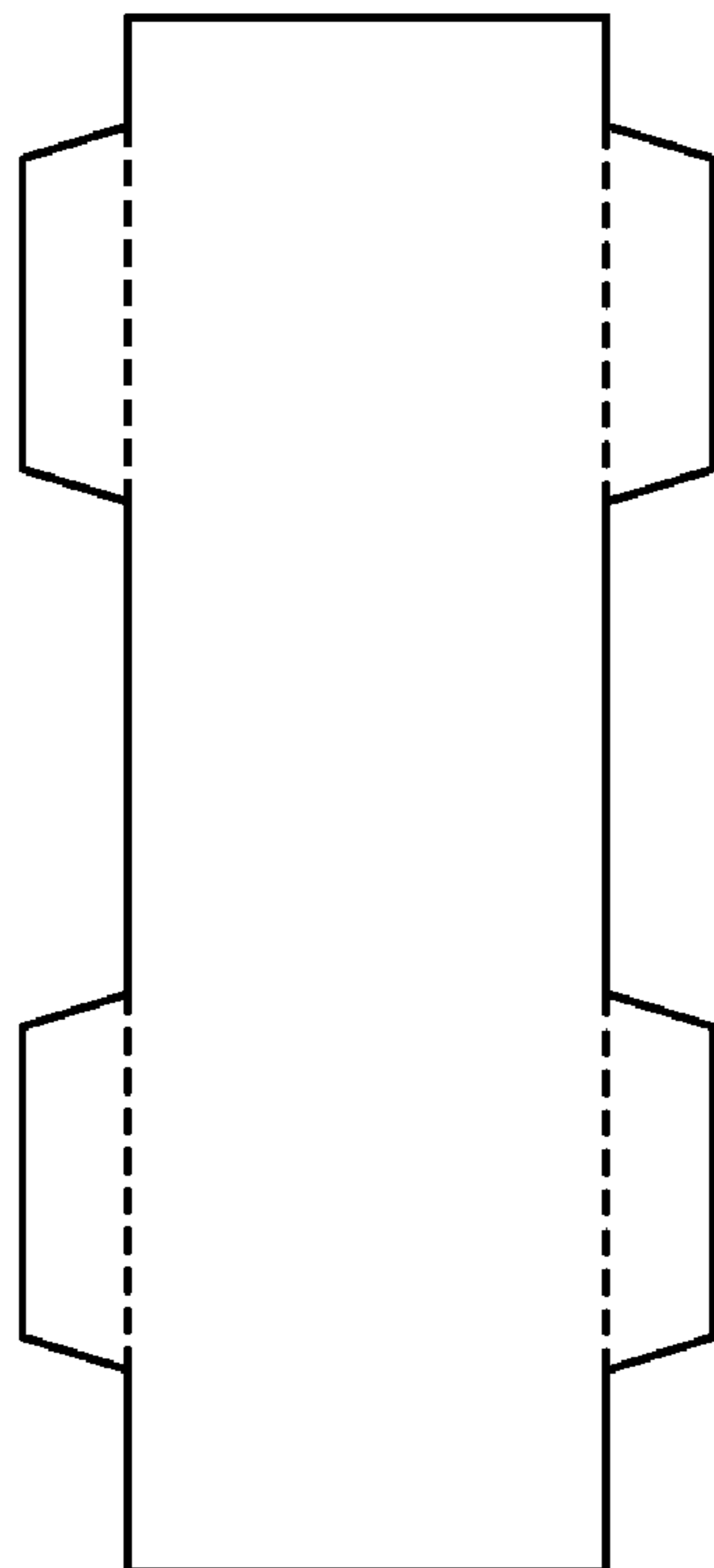
(57) **CLAIM**

The ornamental design for a sticker, as shown and described.

DESCRIPTION

FIG. 1 is a front view of a sticker in accordance with a first embodiment of the design;
FIG. 2 is a rear view of the sticker illustrated in FIG. 1;
FIG. 3 is a front view of a sticker in accordance with a second embodiment of the design; and,
FIG. 4 is a rear view of the sticker illustrated in FIG. 3.
In the drawings, the broken lines represent features that form no part of the claimed design.

1 Claim, 4 Drawing Sheets



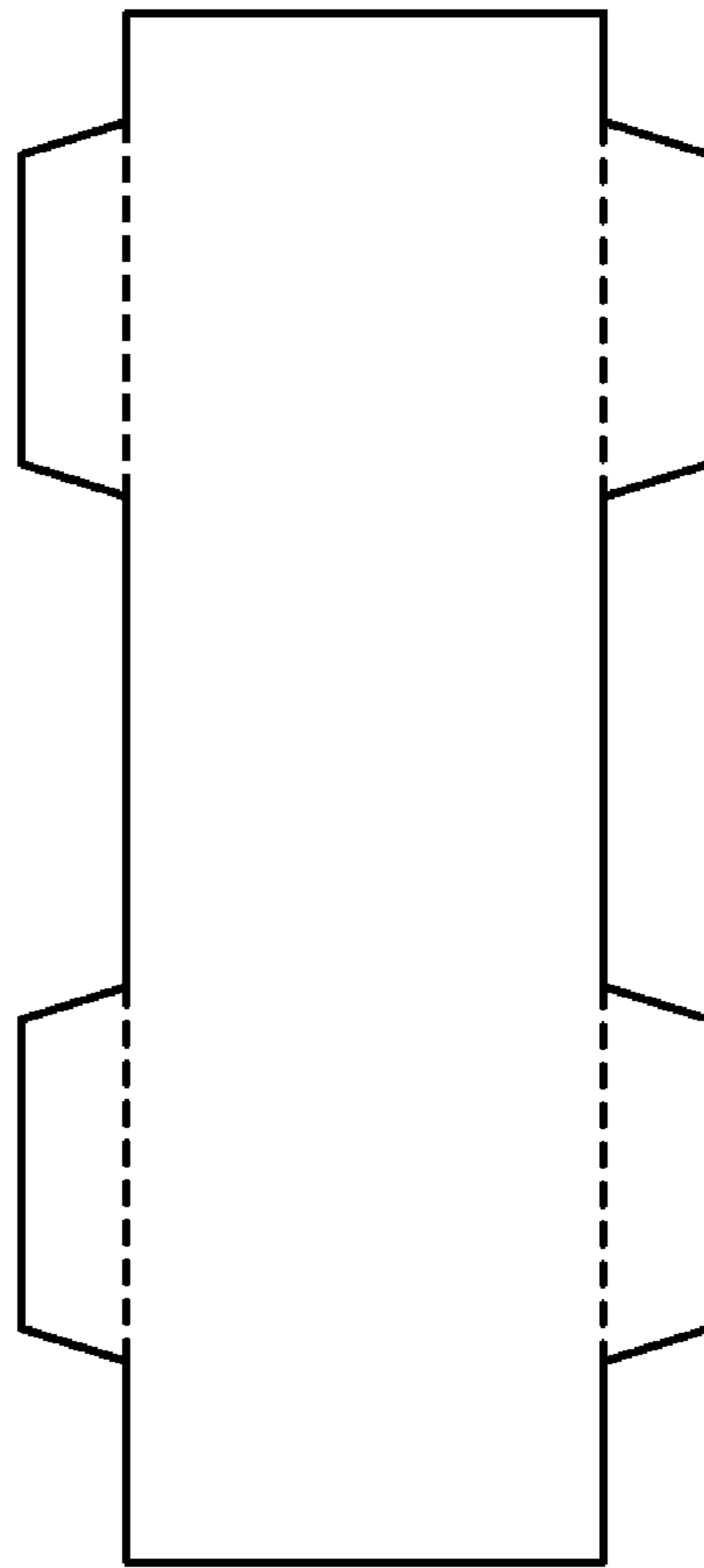


FIG. 1

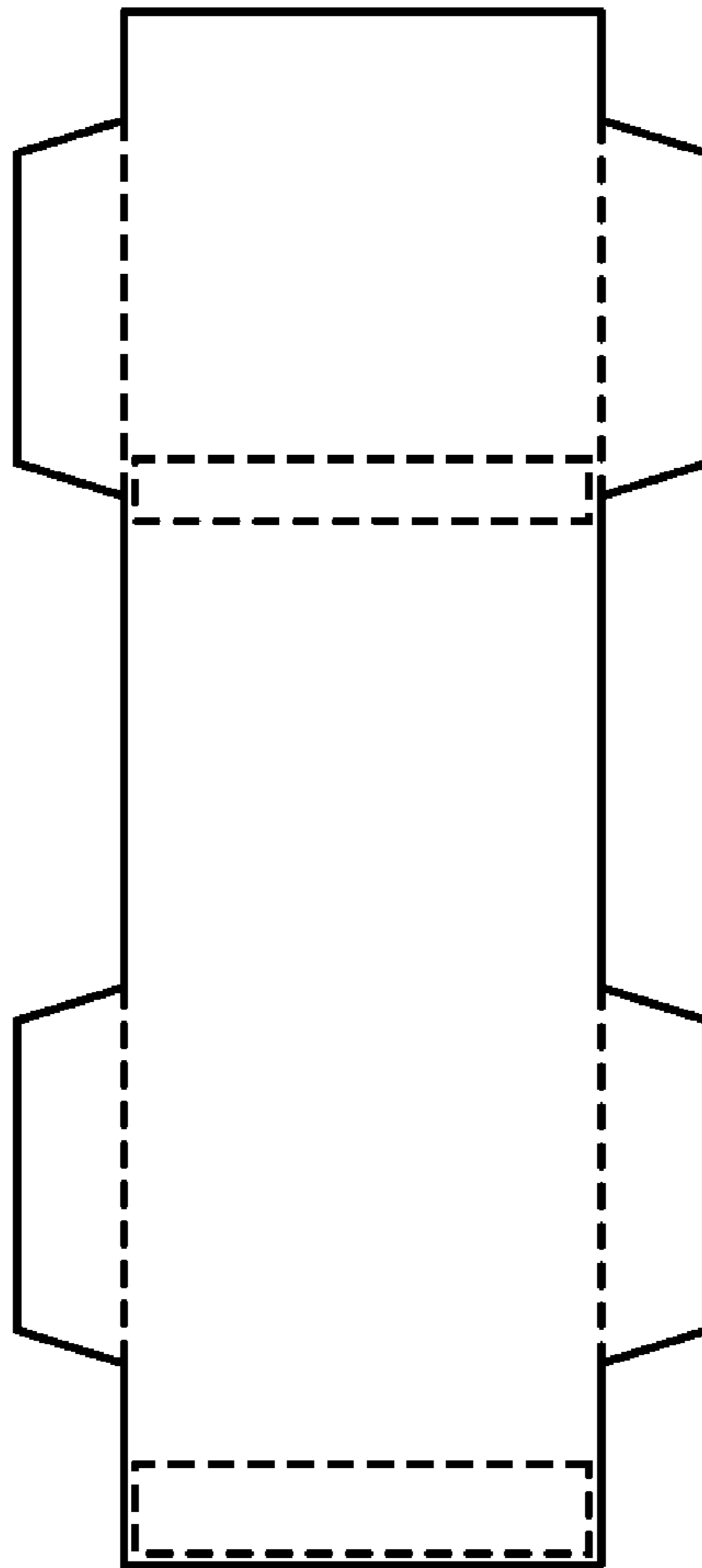


FIG. 2

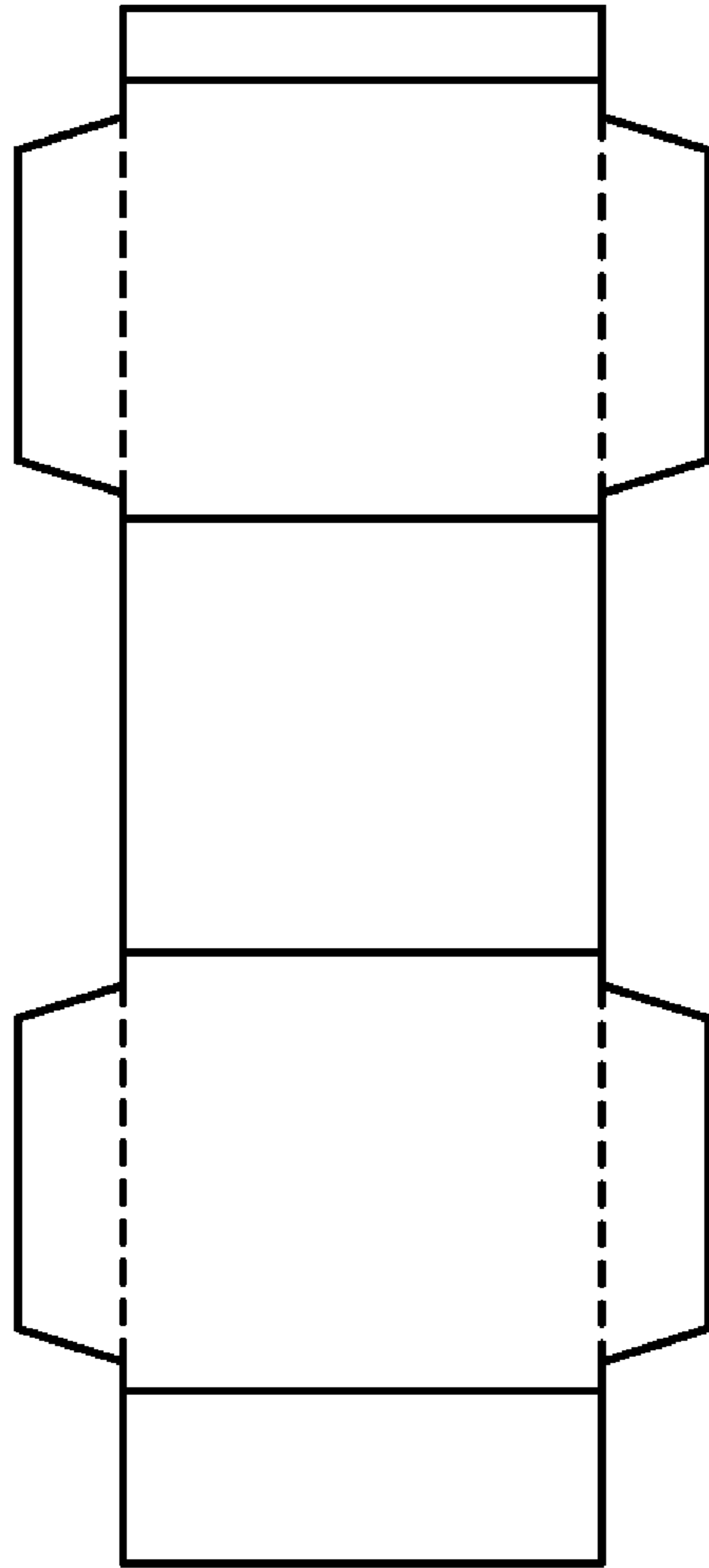


FIG. 3

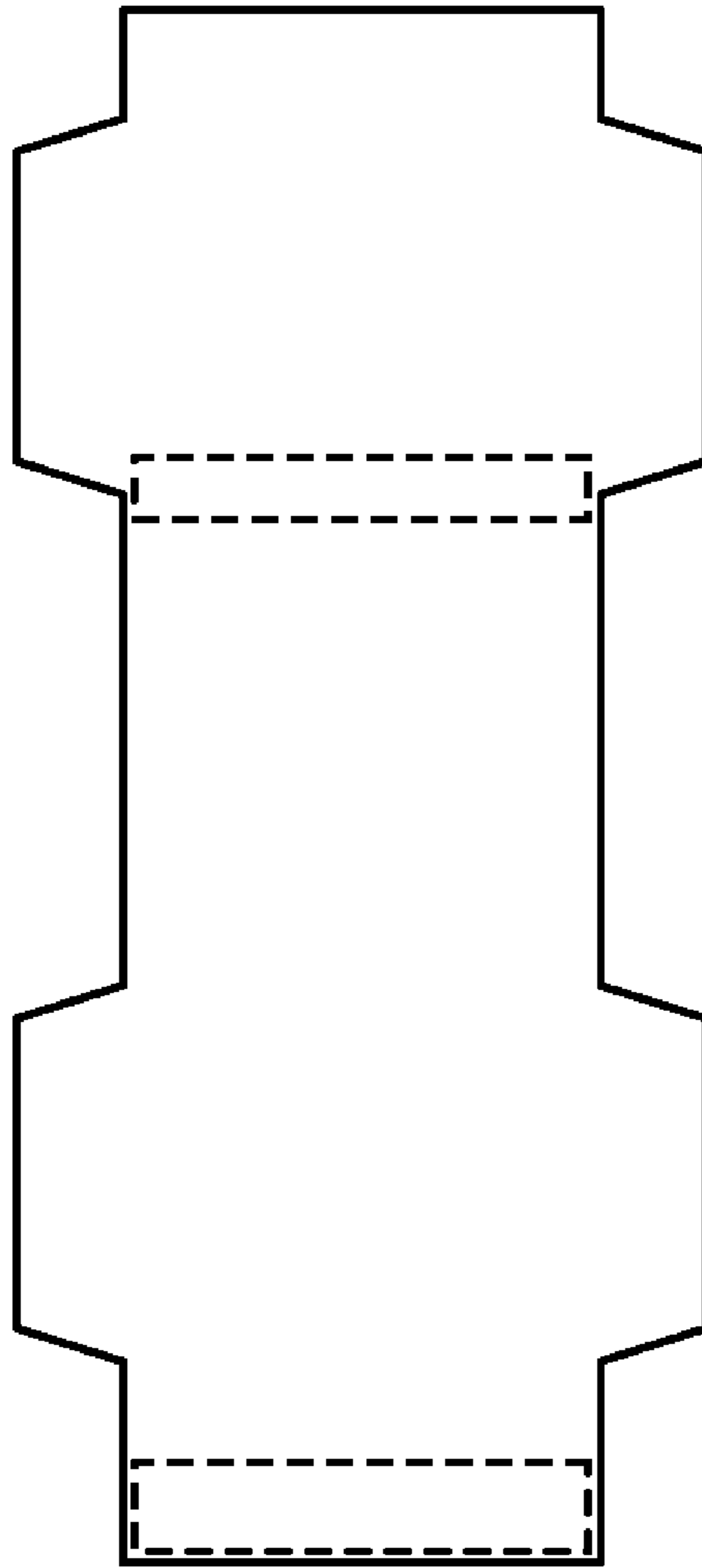


FIG. 4