



US00D659192S

(12) **United States Design Patent**  
**Kim**

(10) **Patent No.:** **US D659,192 S**

(45) **Date of Patent:** **\*\* May 8, 2012**

(54) **WRITING INSTRUMENT CASE**

(75) Inventor: **Ho Sung Kim**, Jeollanam-Do (KR)

(73) Assignee: **Jeollanam-Do**, Jeollanam-Do (KR)

(\*\*) Term: **14 Years**

(21) Appl. No.: **29/379,598**

(22) Filed: **Nov. 22, 2010**

(51) **LOC (9) Cl.** ..... **19-06**

(52) **U.S. Cl.** ..... **D19/85**

(58) **Field of Classification Search** ..... D3/206,  
D3/304; D19/75, 77-85, 95, 99; 206/214,  
206/224, 371, 486; 211/69.1-69.9

See application file for complete search history.

(56) **References Cited**

**U.S. PATENT DOCUMENTS**

1,007,670	A	*	11/1911	Brodhead	.....	249/127
2,556,927	A	*	6/1951	Langel et al.	.....	220/4.01
D184,013	S	*	12/1958	Jarvi	.....	D19/92
3,107,467	A	*	10/1963	Gates	.....	53/254
D234,994	S	*	4/1975	Stiene	.....	D6/475
D267,387	S	*	12/1982	Koch	.....	D7/590
D273,018	S	*	3/1984	Barbieri et al.	.....	D19/75
D303,551	S	*	9/1989	Szablak et al.	.....	D19/75

D304,959	S	*	12/1989	King	.....	D19/75
D333,052	S	*	2/1993	Bumb	.....	D6/476
D351,957	S	*	11/1994	Bumb	.....	D6/475
D399,868	S	*	10/1998	Harden	.....	D18/18
D459,758	S	*	7/2002	Foster	.....	D19/75
D462,996	S	*	9/2002	Foster	.....	D19/83
D468,102	S	*	1/2003	Taylor et al.	.....	D3/304
D469,974	S	*	2/2003	Scribner	.....	D6/407

\* cited by examiner

*Primary Examiner* — Elizabeth Albert

(74) *Attorney, Agent, or Firm* — The Webb Law Firm

(57) **CLAIM**

The ornamental design for a writing instrument case, as shown and described.

**DESCRIPTION**

FIG. 1 is a perspective view of a writing instrument case in accordance with my new design;  
FIG. 2 is a front view thereof;  
FIG. 3 is a rear view thereof;  
FIG. 4 is a right side view thereof;  
FIG. 5 is a left side view thereof;  
FIG. 6 is a top view thereof;  
FIG. 7 is a bottom view thereof; and,  
FIG. 8 is a cross-sectional view taken on line 8-8 of FIG. 2.

**1 Claim, 4 Drawing Sheets**

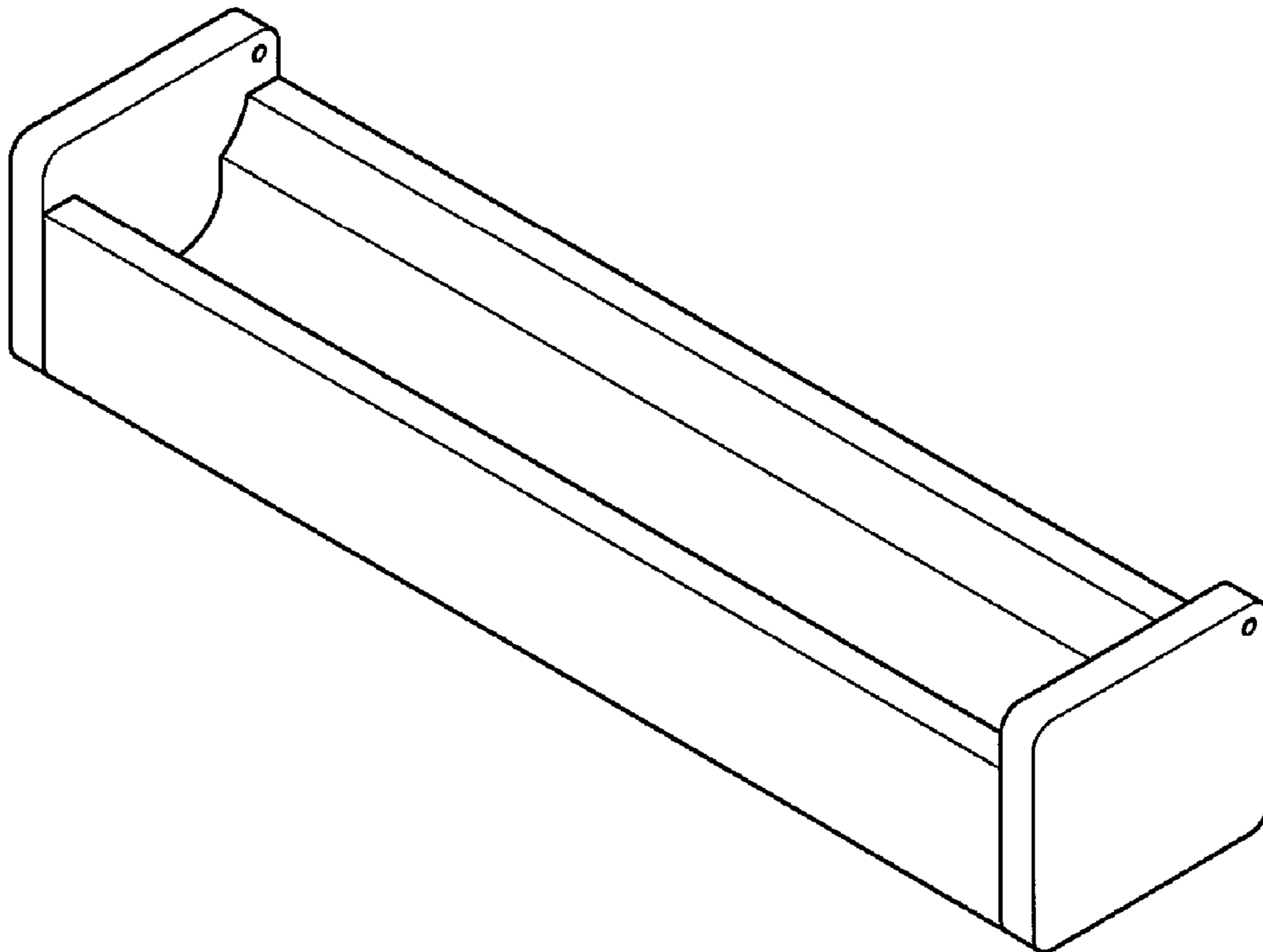


FIG. 1

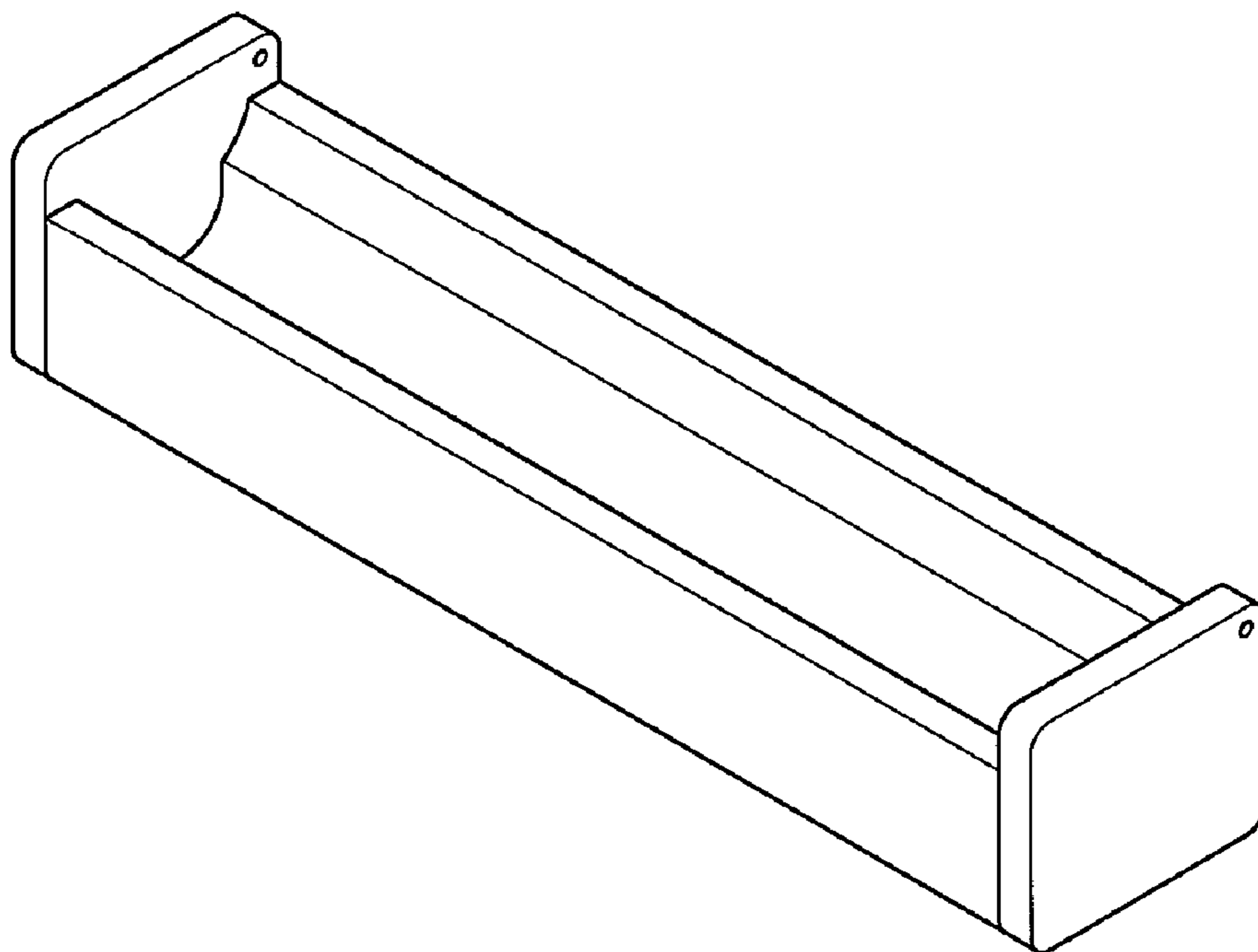


FIG. 2

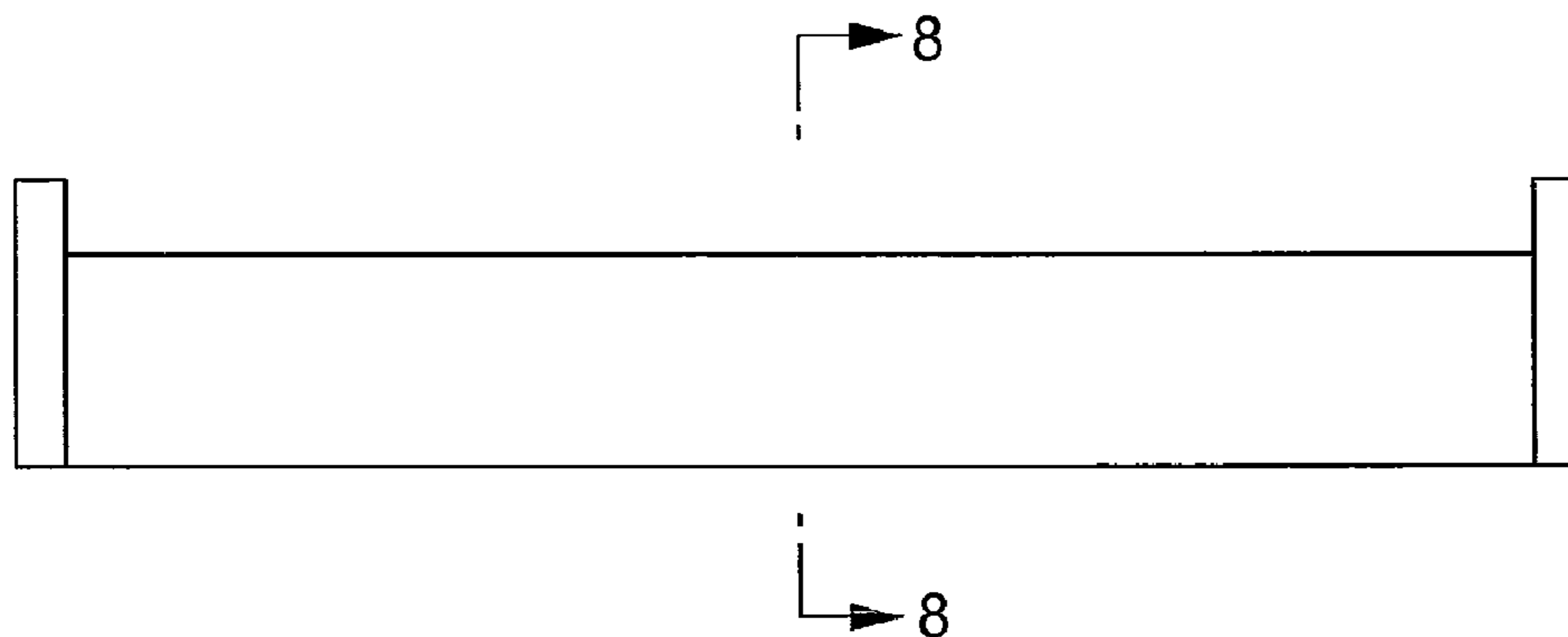


FIG. 3

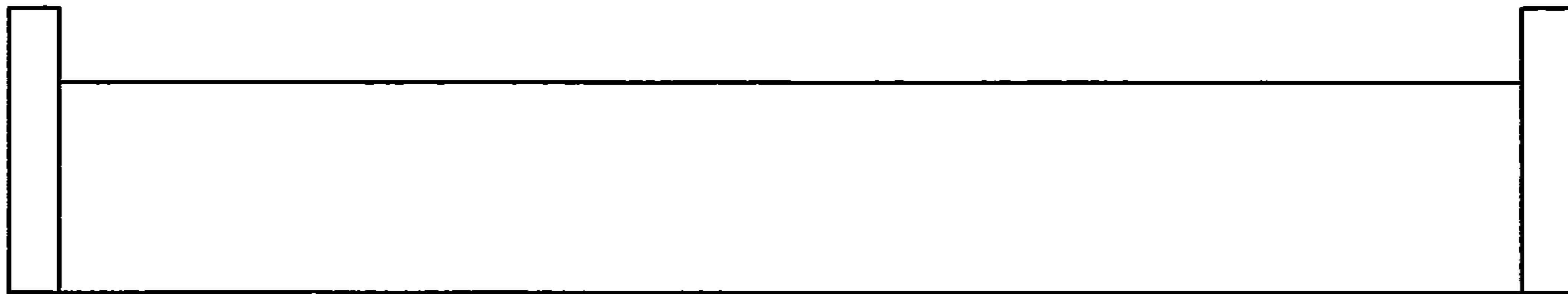


FIG. 4



FIG. 5

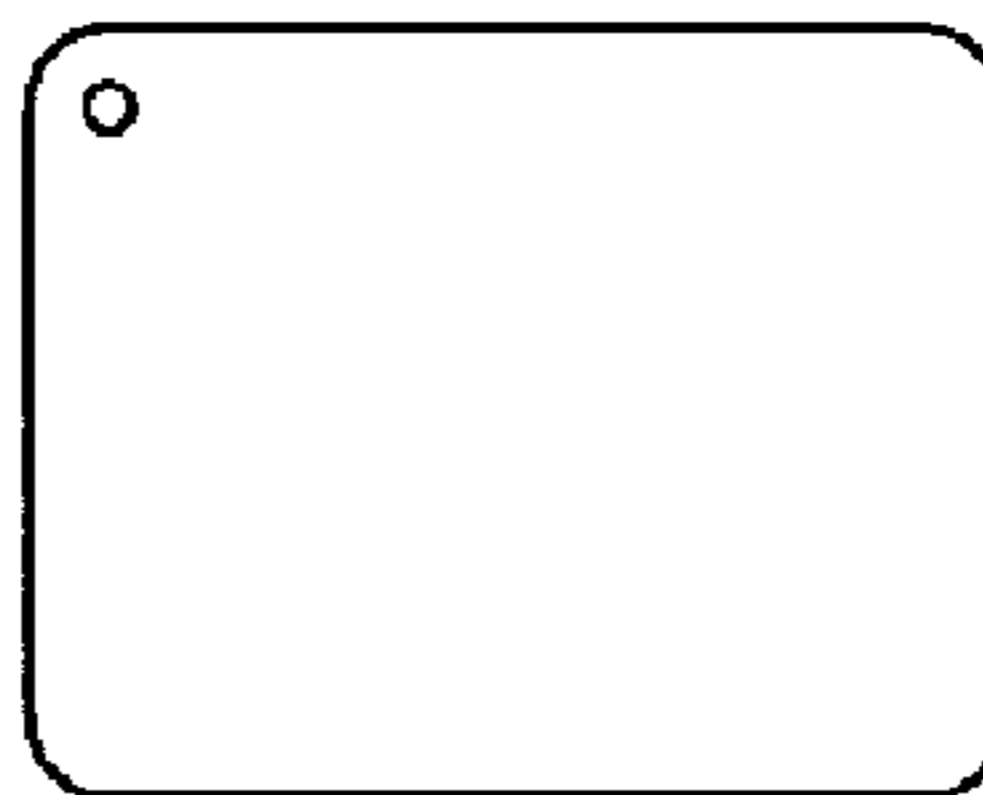


FIG. 6

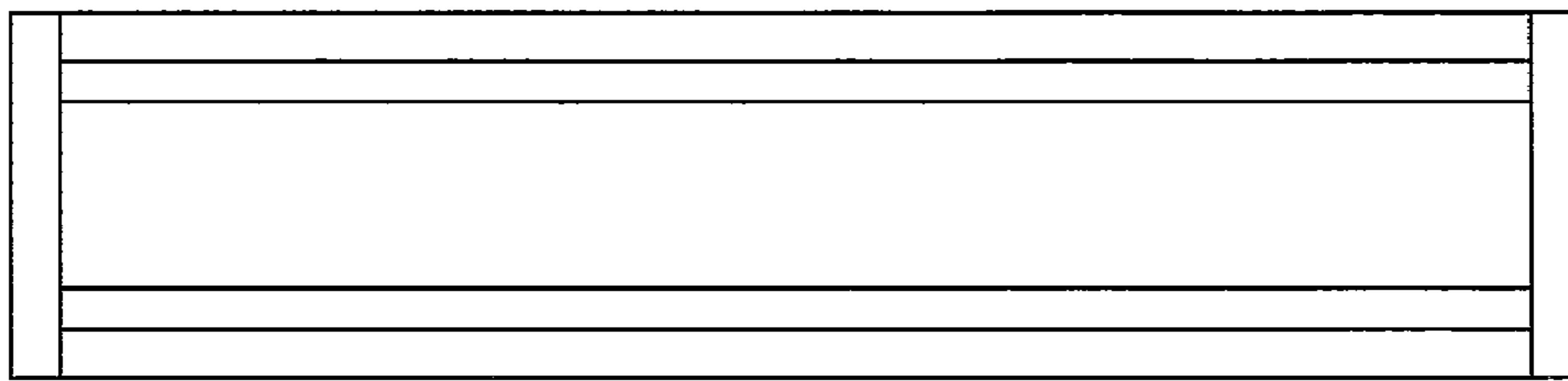
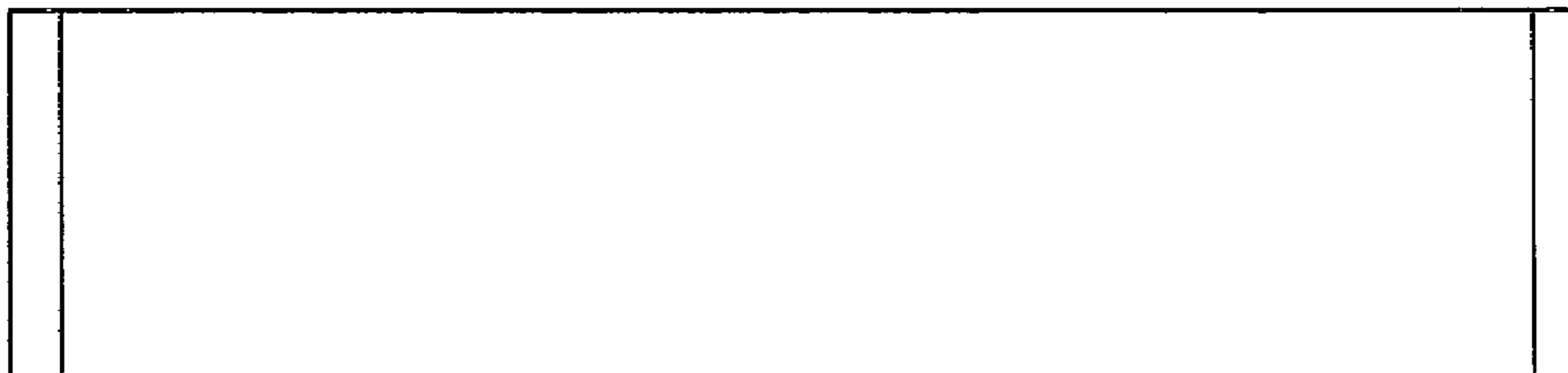


FIG. 7



**FIG. 8**

