



US00D659190S

(12) **United States Design Patent**  
**Tao**

(10) **Patent No.:** **US D659,190 S**  
(45) **Date of Patent:** **\*\* May 8, 2012**

(54) **NOTEBOOK**

(76) Inventor: **Jian F. Tao**, Shenzhen (CN)

(\*\*) Term: **14 Years**

(21) Appl. No.: **29/385,738**

(22) Filed: **Feb. 18, 2011**

**Related U.S. Application Data**

(63) Continuation of application No. 29/356,297, filed on Feb. 23, 2010, now abandoned, which is a continuation of application No. 29/289,579, filed on Jul. 25, 2007, now abandoned.

**Foreign Application Priority Data**

(30) Dec. 12, 2006 (CN) ..... 2006 3 0155371

(51) **LOC (9) Cl.** ..... **19-04**

(52) **U.S. Cl.** ..... **D19/26**

(58) **Field of Classification Search** ..... D3/233,  
D3/265, 299, 301, 303, 262; D6/407, 595;  
D19/3, 26, 27, 28, 32, 33, 90, 86; 281/51;  
116/238; 150/113, 118, 135, 143; 402/26,  
402/29, 57, 73

See application file for complete search history.

**References Cited**

(56)

**U.S. PATENT DOCUMENTS**

1,023,466	A	4/1912	Gareis
1,993,351	A	3/1935	Schade
2,026,663	A	1/1936	Wunthal
D182,059	S	2/1958	Chase
4,296,945	A	10/1981	Pavlik
4,687,036	A	8/1987	Thomas
D294,909	S	3/1988	Donnor
D300,688	S	4/1989	Marks
D302,698	S	8/1989	Rexroat et al.

D322,458	S	12/1991	Wiberg
D323,937	S	2/1992	Solomon
D329,327	S	9/1992	Holtzclaw, Jr.
D393,947	S	5/1998	Alves et al.
D424,615	S	5/2000	Wyant
D432,172	S	10/2000	Moor
D471,014	S	3/2003	Shapiro
D476,032	S	6/2003	Marchand
D478,349	S *	8/2003	Capaci ..... D19/27
D481,074	S	10/2003	Shapiro et al.
D489,255	S *	5/2004	Kratzert et al. .... D9/433
D499,761	S	12/2004	Walley et al.
D513,279	S *	12/2005	Hough et al. .... D19/86
D523,078	S	6/2006	Ong
D525,431	S	7/2006	Lux
D526,018	S	8/2006	Salander et al.
D544,538	S	6/2007	Kesselring

(Continued)

**FOREIGN PATENT DOCUMENTS**

CN 300739208D 1/2008

*Primary Examiner* — Austin Murphy

(74) *Attorney, Agent, or Firm* — Scully, Scott, Murphy & Presser, P.C.

(57)

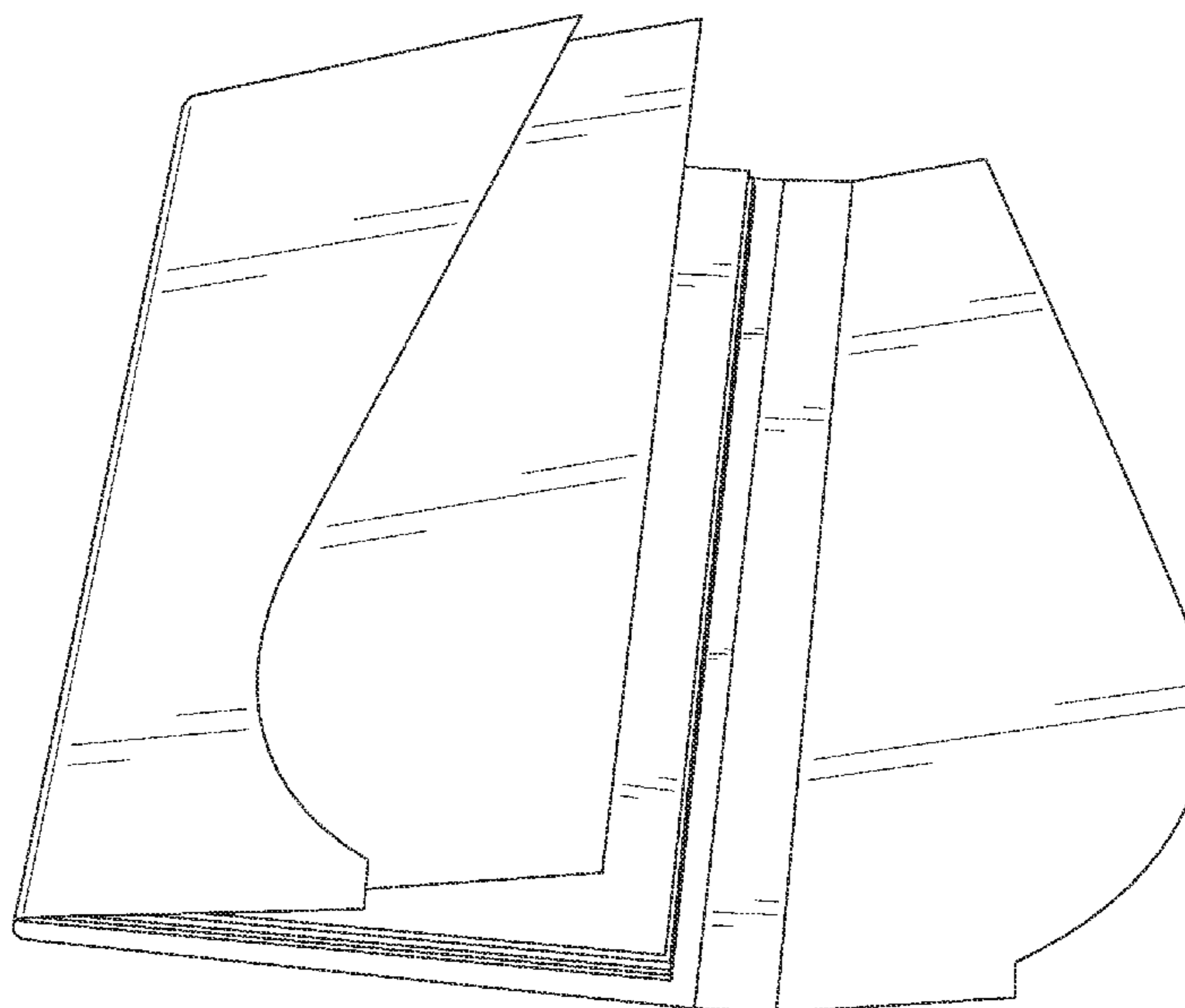
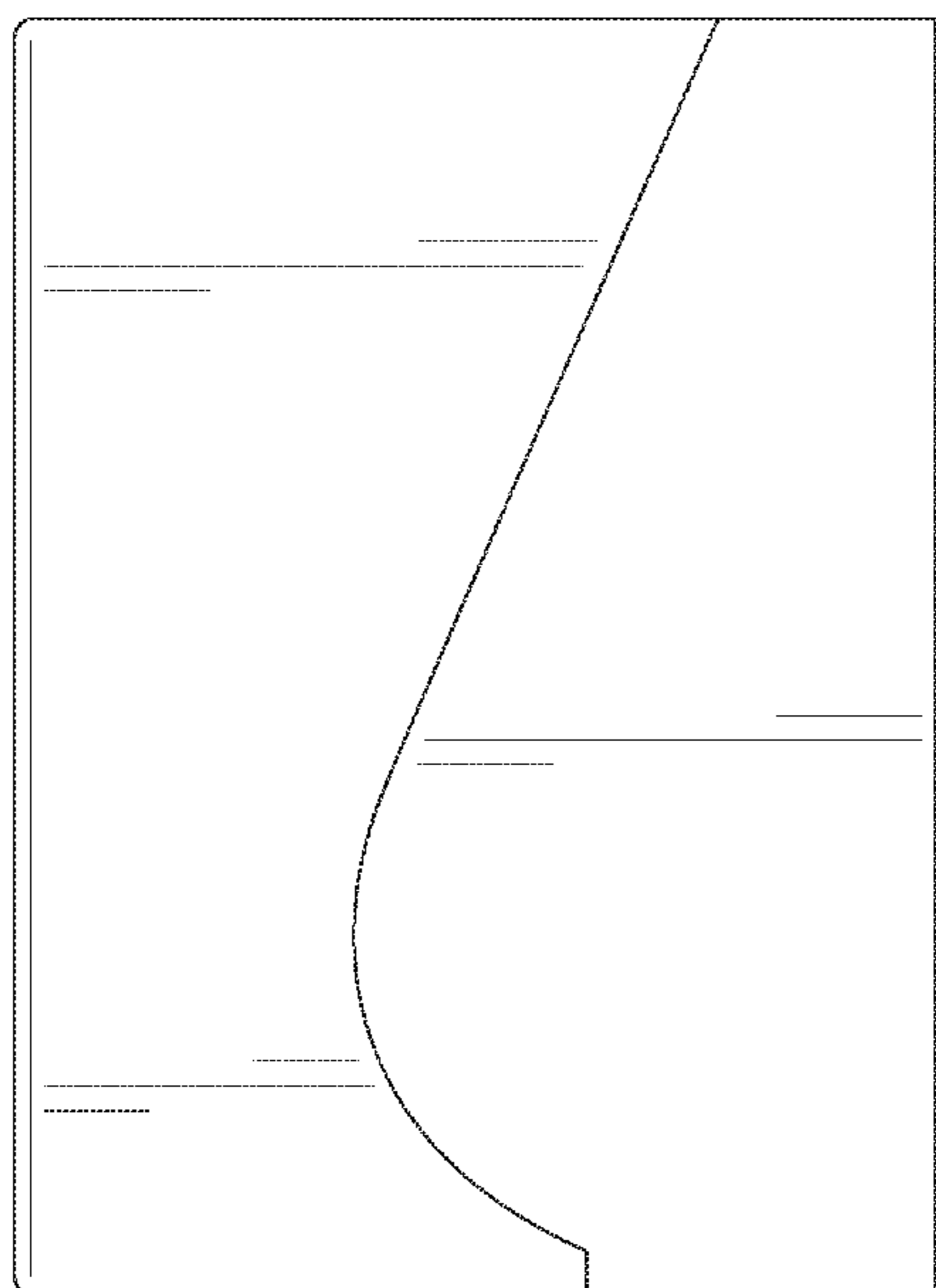
**CLAIM**

The new and ornamental design for a notebook, as shown and described.

**DESCRIPTION**

FIG. 1 is a front view of the notebook showing the new and ornamental design;  
FIG. 2 is a back view of the notebook;  
FIG. 3 is a deployment perspective view of the notebook;  
FIG. 4 is a top view of the notebook;  
FIG. 5 is a bottom view of the notebook;  
FIG. 6 is a left side view of the notebook; and,  
FIG. 7 is a right side view of the notebook.

**1 Claim, 4 Drawing Sheets**



# US D659,190 S

Page 2

---

U.S. PATENT DOCUMENTS			
7,252,452	B2	8/2007	Africa et al.
D552,348	S	10/2007	Martin
D557,739	S	12/2007	Bharma
D557,740	S	12/2007	Bharma
D558,267	S	12/2007	Bharma
D567,285	S *	4/2008	Hendee ..... D19/27
D577,382	S	9/2008	Stockstill et al.
D577,767	S	9/2008	Stockstill et al.
D581,458	S	11/2008	Stockstill et al.
D585,092	S	1/2009	Stockstill et al.
D586,851	S	2/2009	Lapsker
D591,343	S *	4/2009	Hussy et al. .... D19/27
D594,057	S	6/2009	Hussey et al.
D599,852	S	9/2009	Baker et al.
D602,523	S *	10/2009	Witter ..... D19/26
D606,585	S	12/2009	Lapsker
D611,533	S	3/2010	Baker et al.
D618,277	S	6/2010	Baker et al.
D629,842	S *	12/2010	Lapsker ..... D19/26
D638,470	S *	5/2011	Stockstill et al. .... D19/26
2004/0253046	A1	12/2004	Africa et al.
2005/0238415	A1	10/2005	Busam et al.
2007/0297849	A1	12/2007	Merzon

\* cited by examiner

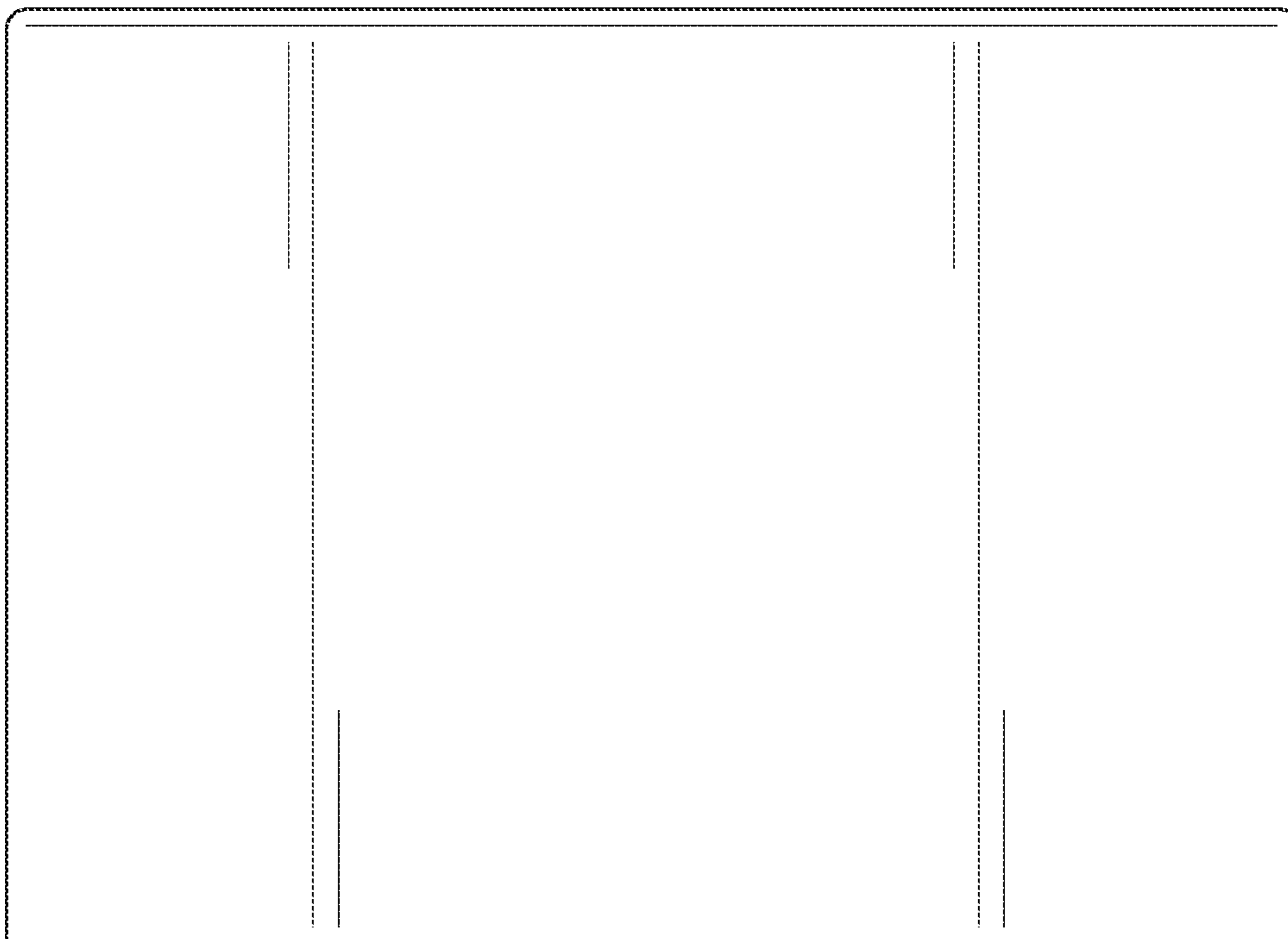


FIG. 2

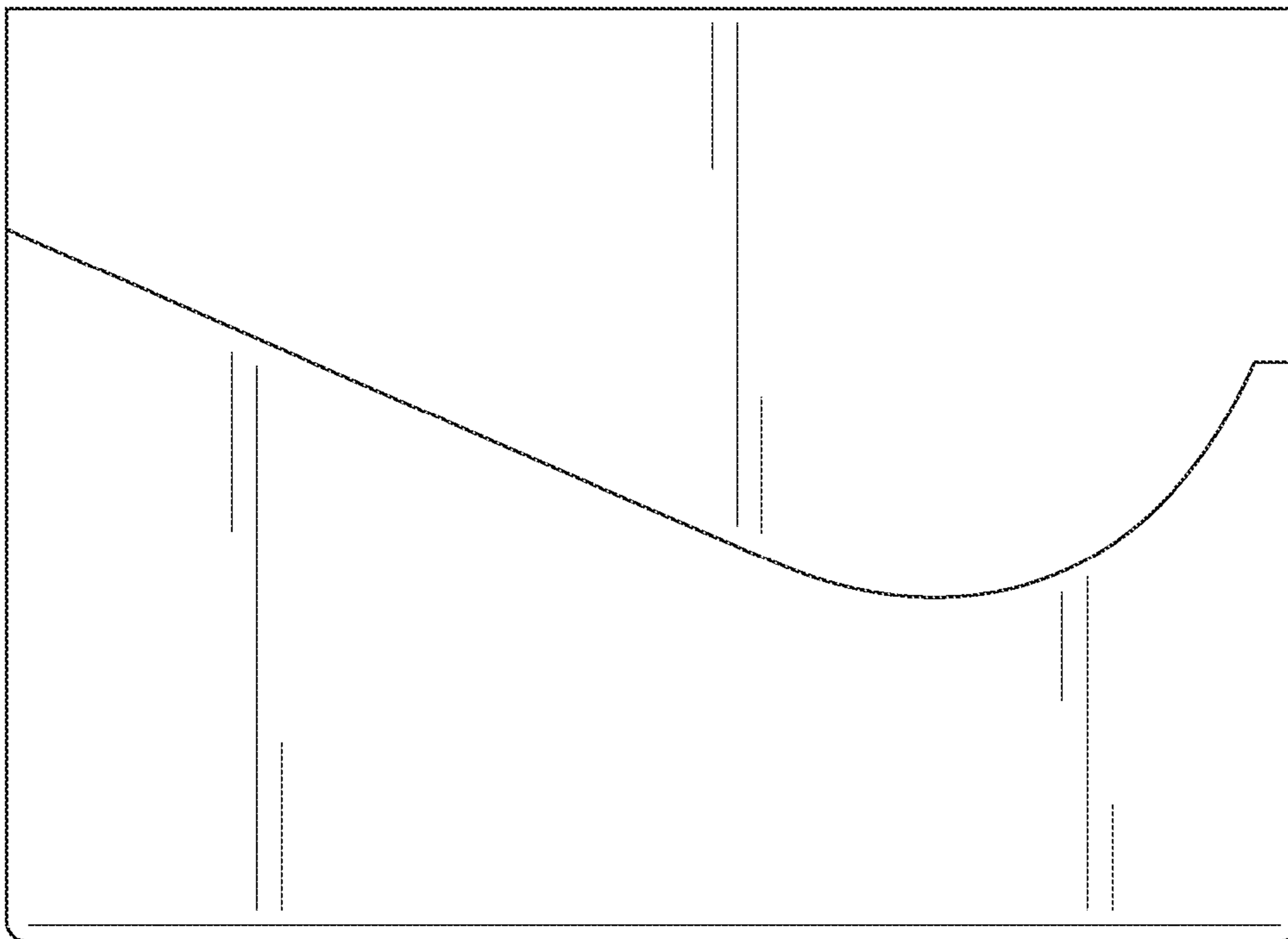


FIG. 1

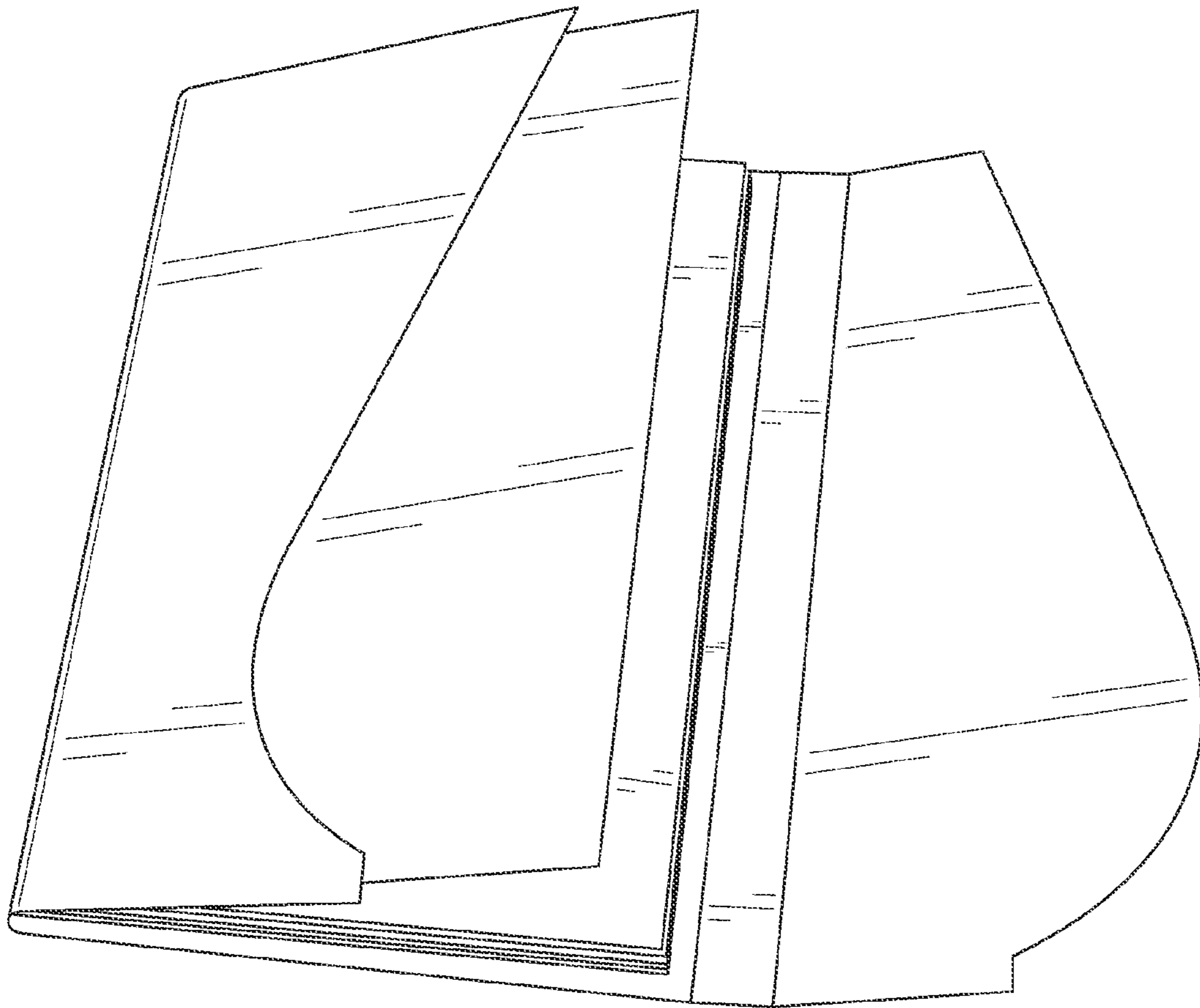


FIG. 3



FIG. 4

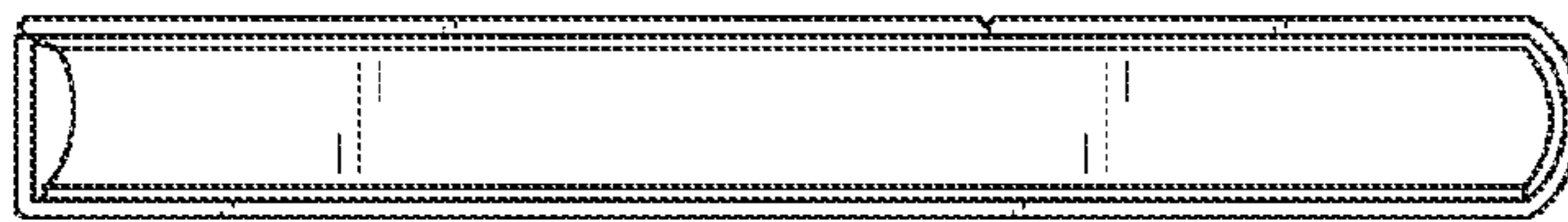


FIG. 5

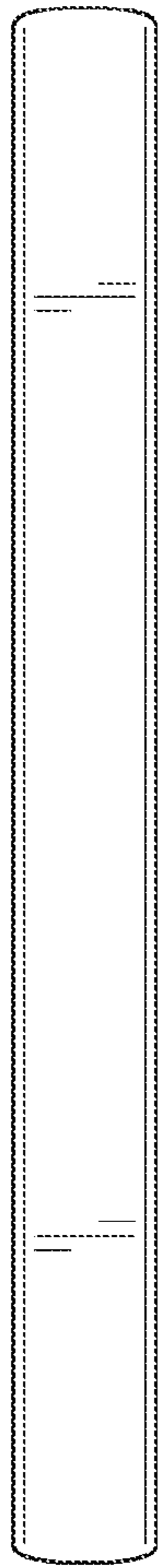


FIG. 6

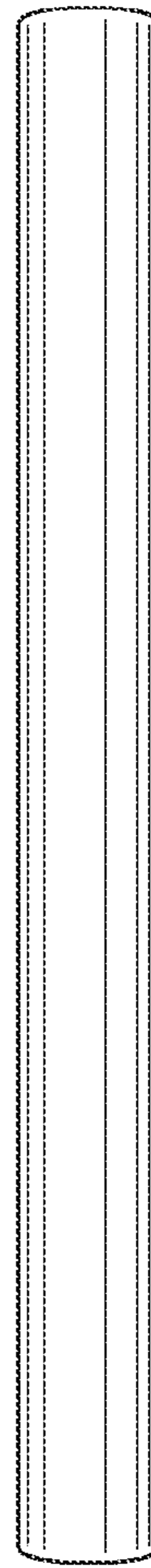


FIG. 7