



US00D659187S

(12) **United States Design Patent**
Choo

(10) **Patent No.:** **US D659,187 S**
(45) **Date of Patent:** **** May 8, 2012**

(54) **PRINTER**

(75) Inventor: **Young Eun Choo**, London (GB)

(73) Assignee: **Sindoh Co., Ltd.** (KR)

(**) Term: **14 Years**

(21) Appl. No.: **29/369,996**

(22) Filed: **Sep. 16, 2010**

(30) **Foreign Application Priority Data**

May 11, 2010 (KR) 30-2010-0020872

(51) **LOC (9) Cl.** **14-02**

(52) **U.S. Cl.** **D18/55**

(58) **Field of Classification Search** D18/19,
D18/36-37, 50, 54-54.1, 55; D14/420-425,
D14/463-470; 400/613, 613.1-613.4, 690,
400/690.1-690.4, 691-694
See application file for complete search history.

(56) **References Cited**

U.S. PATENT DOCUMENTS

D327,907 S * 7/1992 Sawa D18/54
D346,820 S * 5/1994 Etou et al. D18/55
D378,218 S * 2/1997 Hong et al. D18/55
D384,694 S * 10/1997 Kobayashi et al. D18/55

D544,906 S * 6/2007 Alfonso et al. D18/55
D558,266 S * 12/2007 Falk D18/55
D584,348 S * 1/2009 Boo et al. D18/55
D607,049 S * 12/2009 Sasaki et al. D18/55
D617,829 S * 6/2010 Suzuki et al. D18/55

* cited by examiner

Primary Examiner — Cathy A MacCormac

(74) *Attorney, Agent, or Firm* — Cantor Colburn LLP

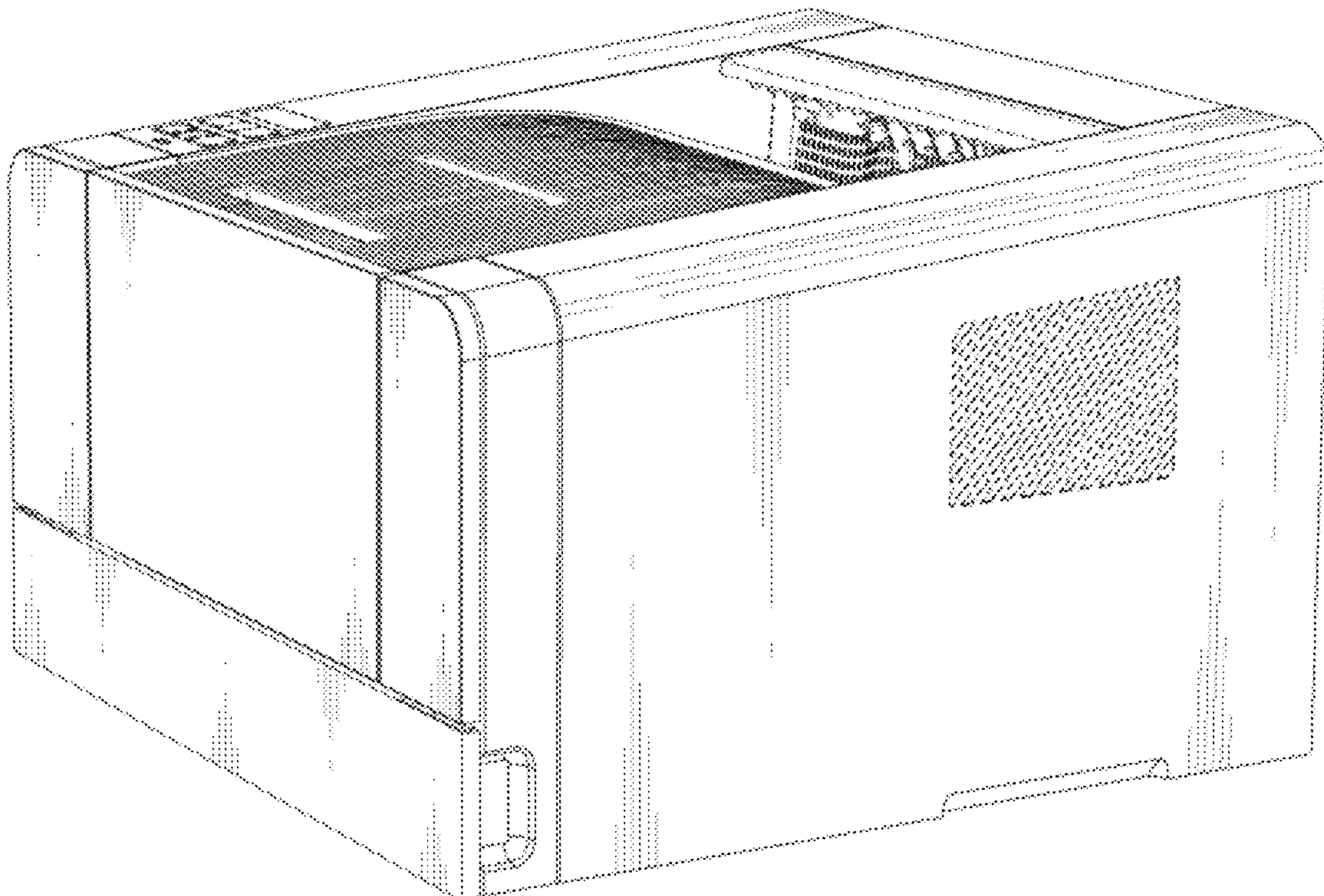
(57) **CLAIM**

The ornamental design for a printer, as shown and described.

DESCRIPTION

FIG. 1 is a perspective view of a printer embodying my new design;
FIG. 2 is a front view thereof;
FIG. 3 is a rear view thereof;
FIG. 4 is a left side view thereof;
FIG. 5 is a right side view thereof;
FIG. 6 is a top view thereof;
FIG. 7 is a bottom view thereof; and,
FIG. 8 is an enlarged perspective view of a portion of the top of the printer.
The broken lines show environment and form no part of the claimed design.

1 Claim, 8 Drawing Sheets



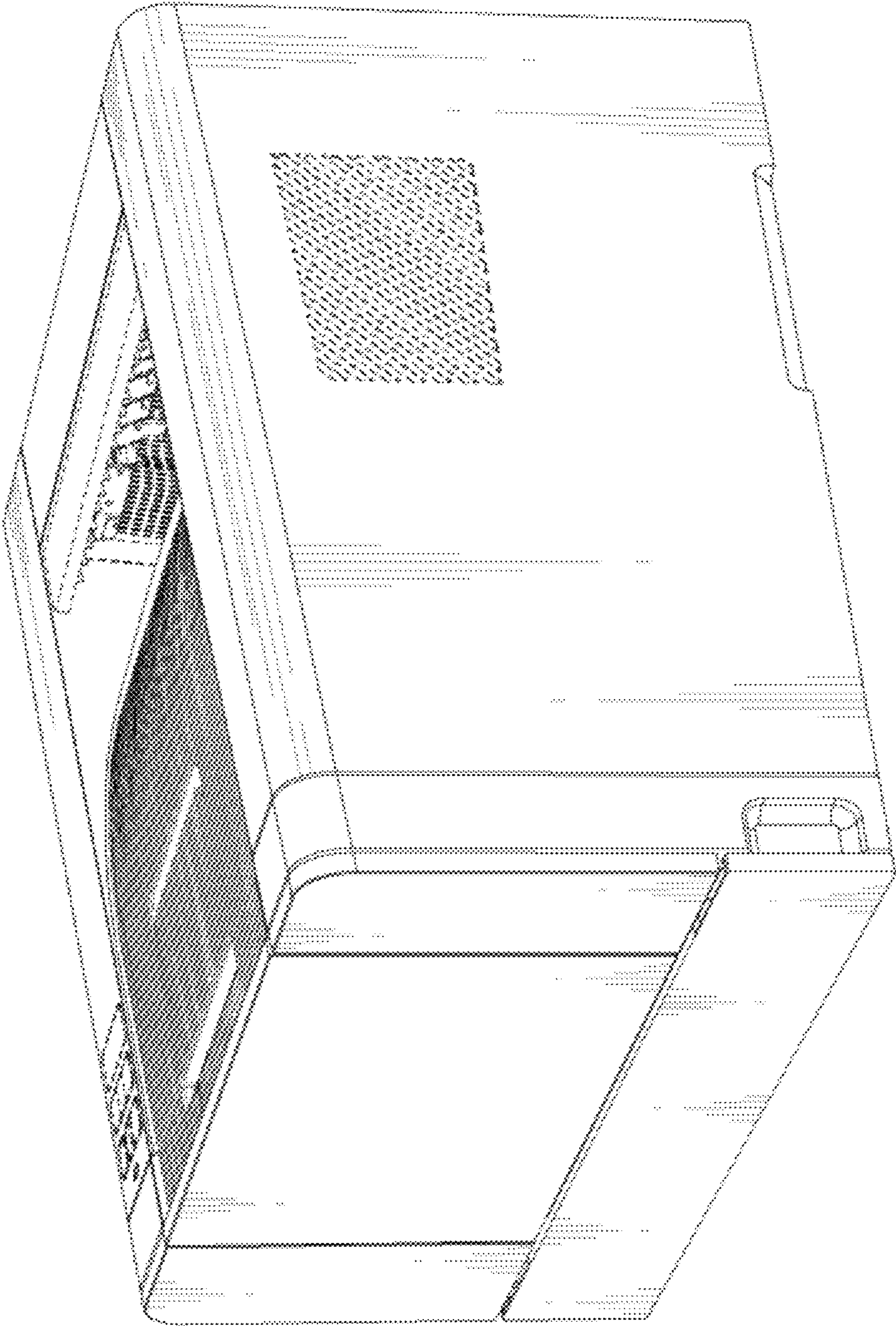


FIG. 1

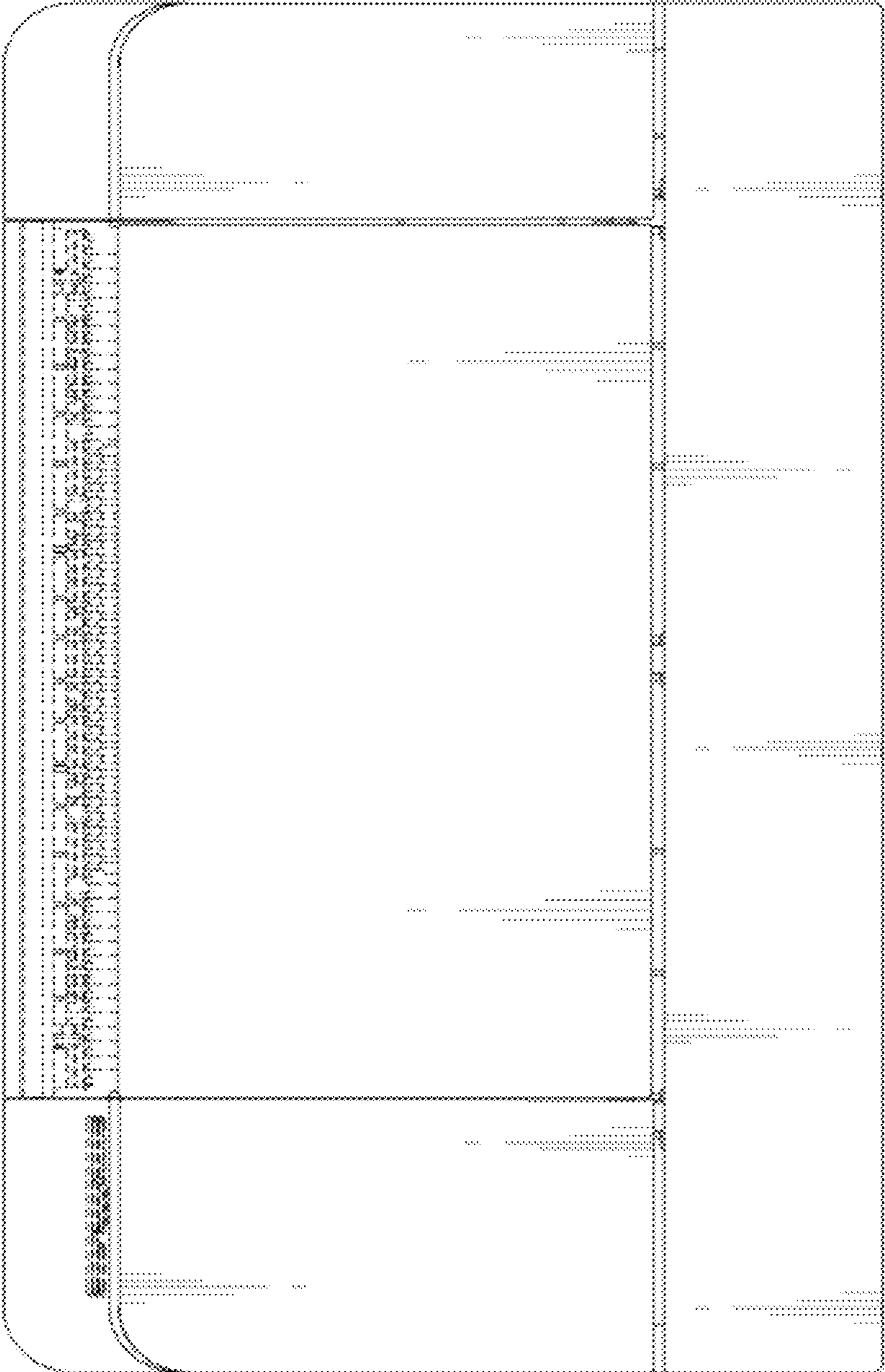


FIG. 2

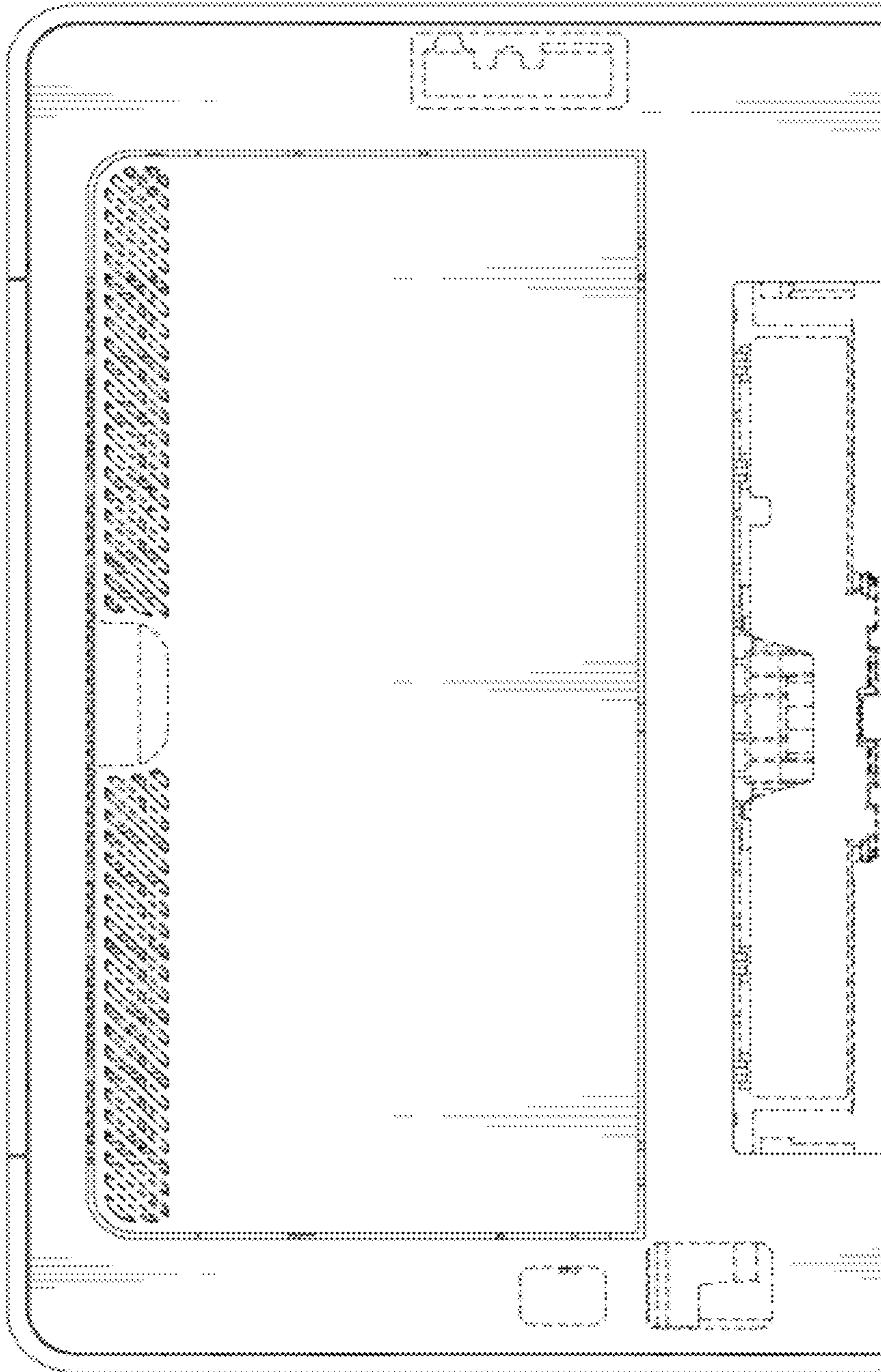


FIG. 3

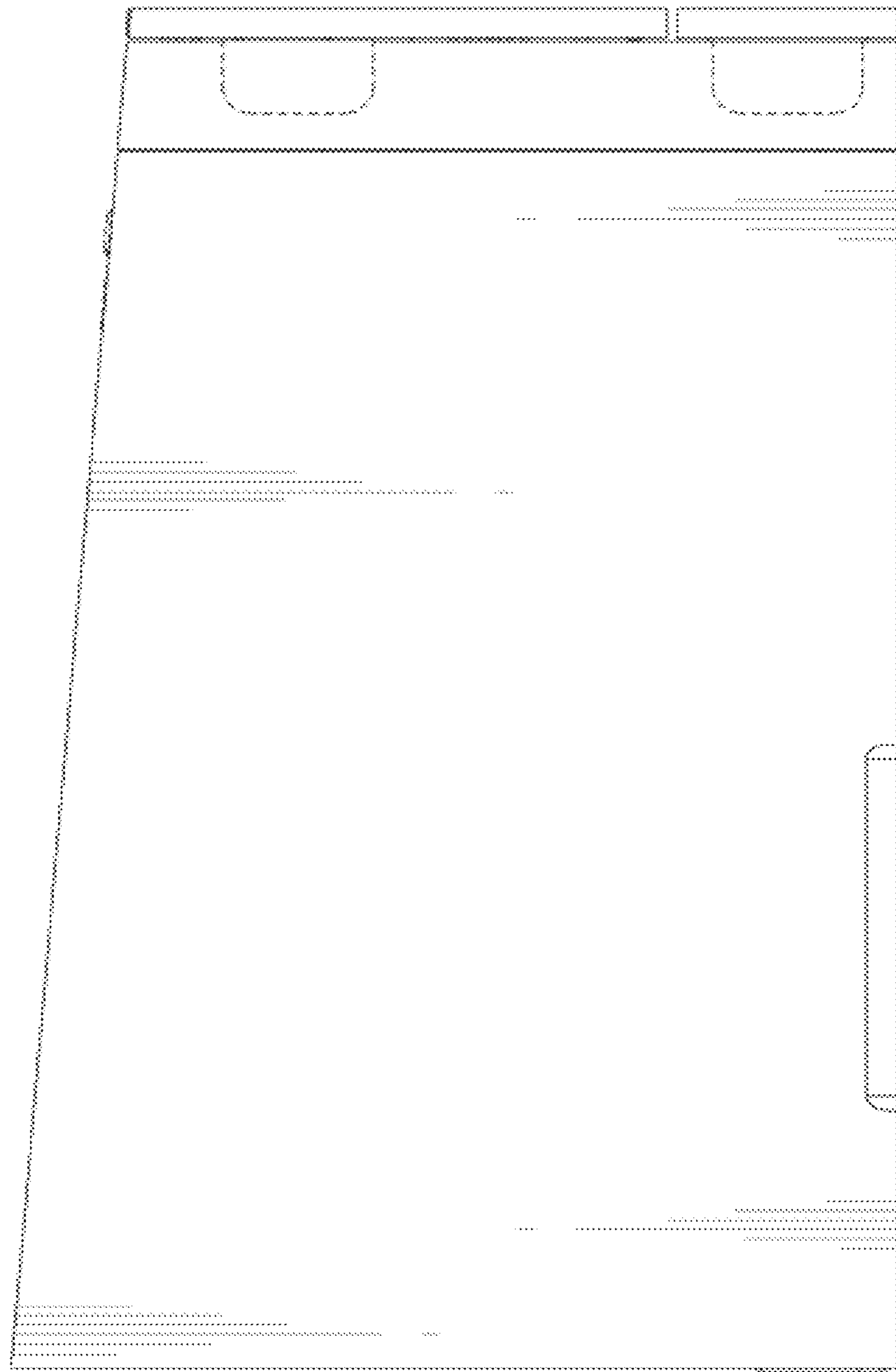


FIG. 4

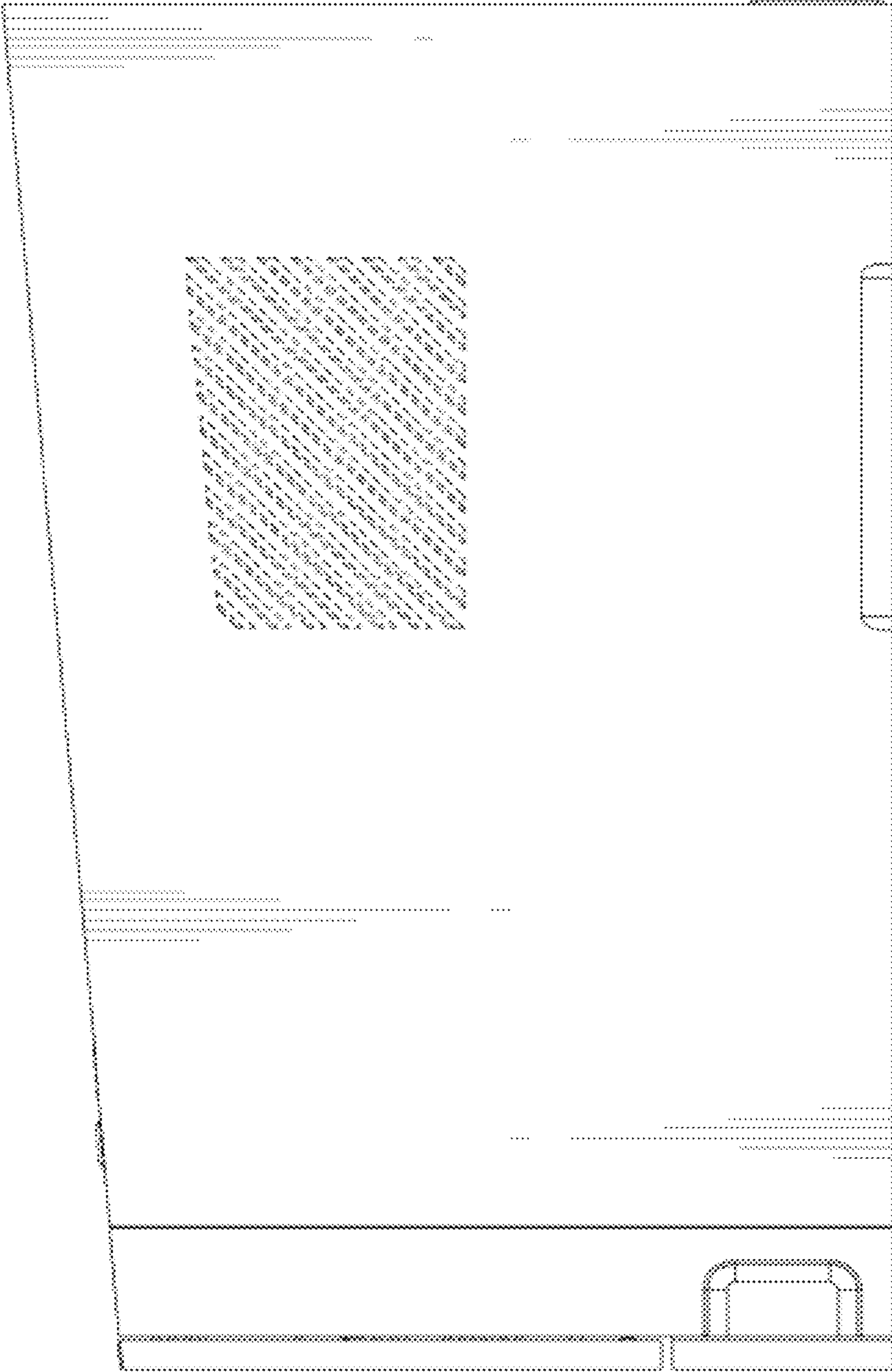
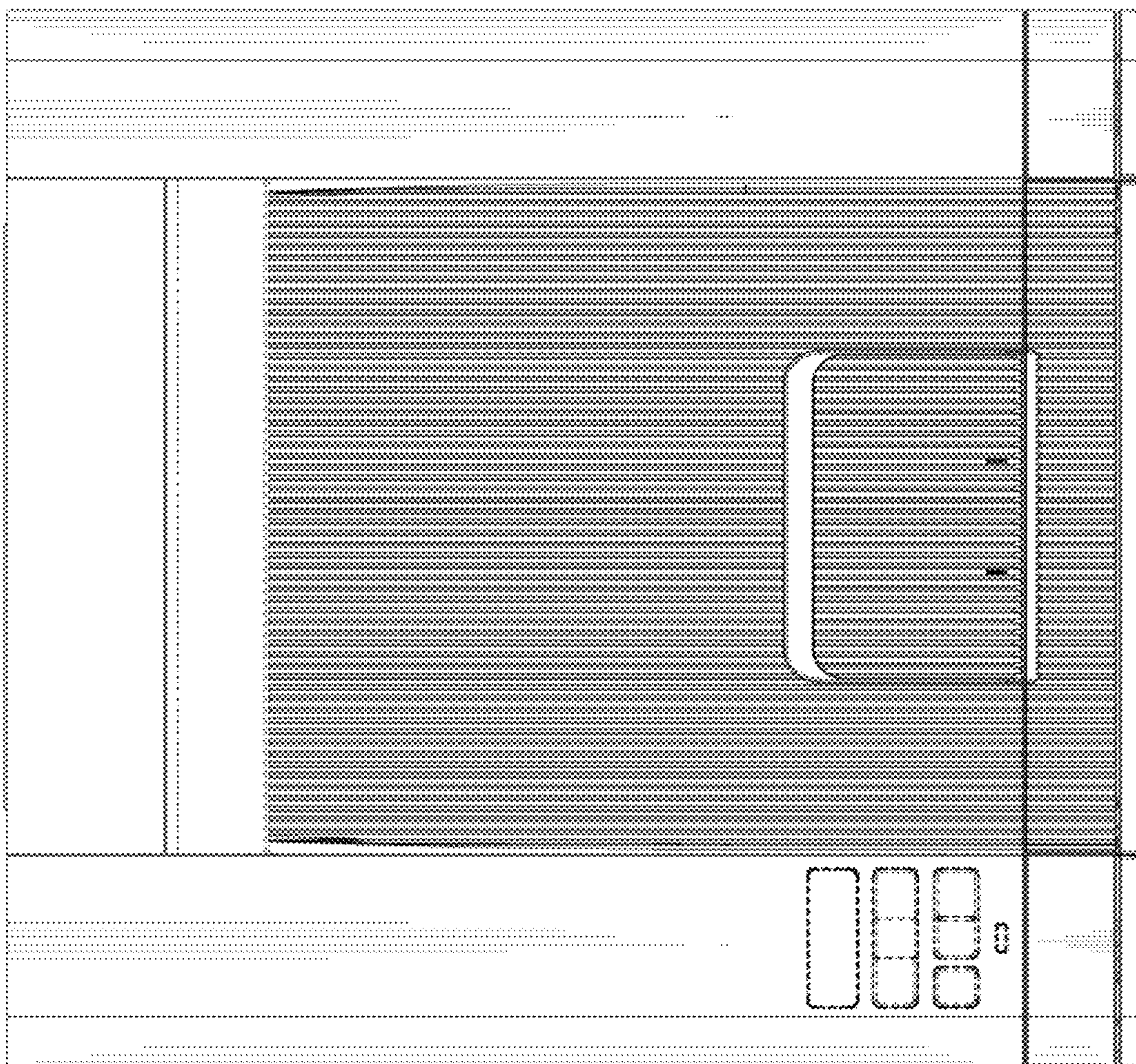


FIG. 5

FIG. 6



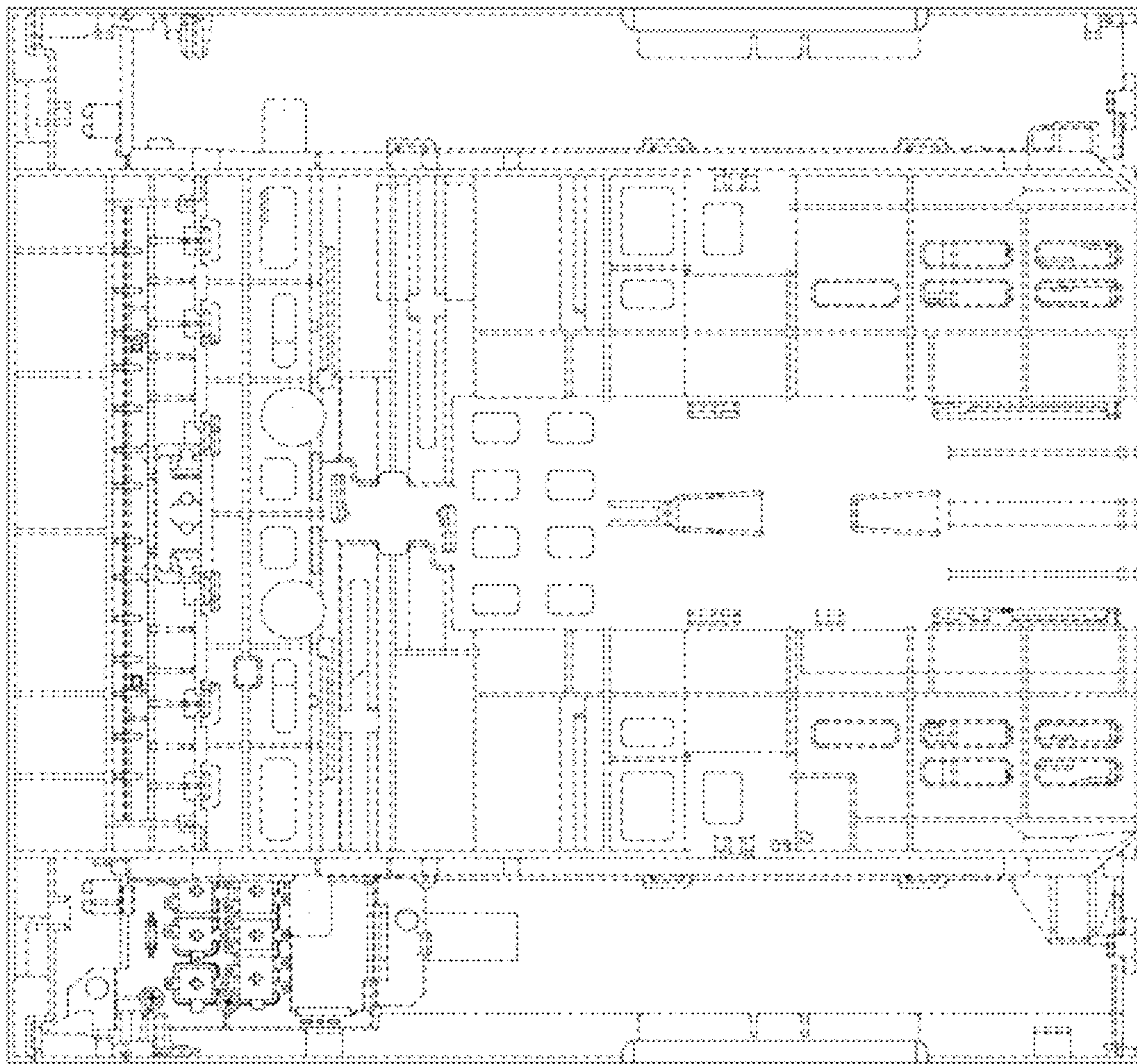


FIG. 7

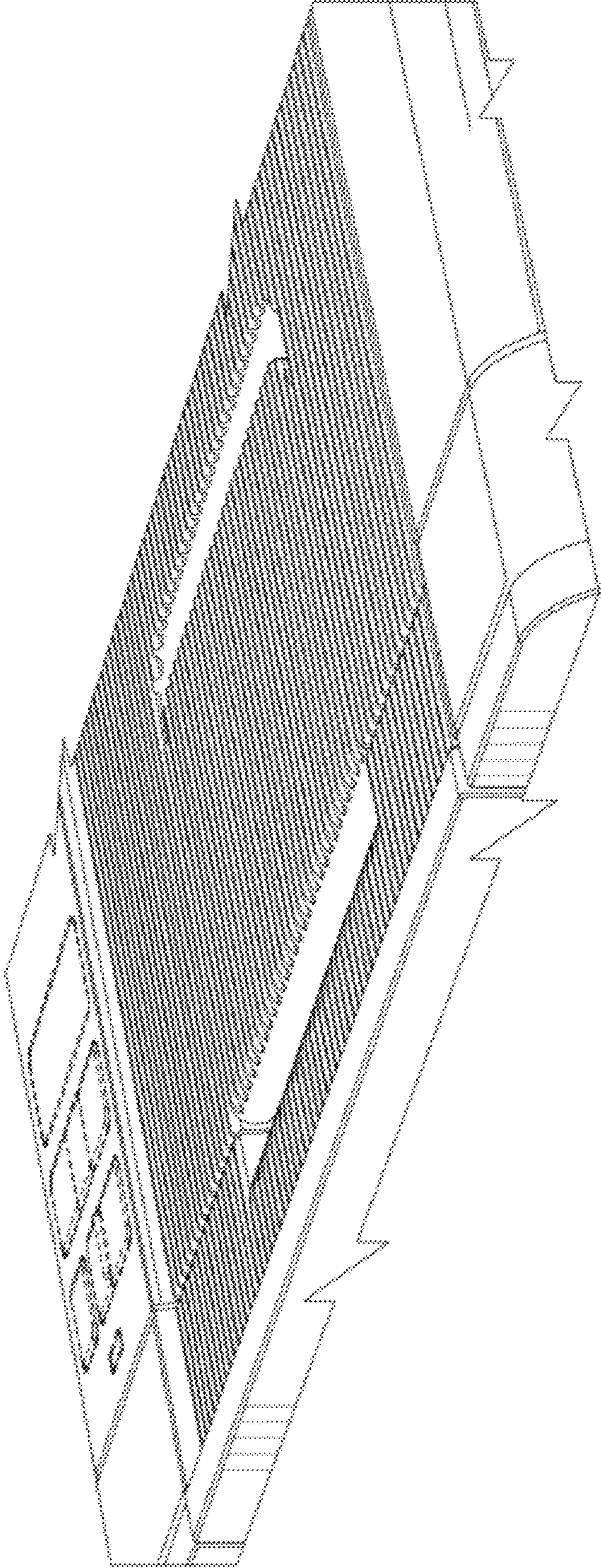


FIG. 8