



US00D659186S

(12) **United States Design Patent**
Okamoto et al.

(10) **Patent No.:** **US D659,186 S**
(45) **Date of Patent:** **** May 8, 2012**

(54) **TONER CARTRIDGE**

(75) Inventors: **Masaya Okamoto**, Kanagawa (JP);
Kota Furuhashi, Kanagawa (JP)

(73) Assignee: **Fuji Xerox Co., Ltd.**, Tokyo (JP)

(**) Term: **14 Years**

(21) Appl. No.: **29/369,855**

(22) Filed: **Sep. 14, 2010**

(30) **Foreign Application Priority Data**

Mar. 17, 2010 (JP) 2010-006492

(51) **LOC (9) Cl.** **16-03**

(52) **U.S. Cl.** **D18/43**

(58) **Field of Classification Search** D14/471;
D18/12, 36, 40, 43, 44, 56; 347/197, 222;
399/24-28, 107-112, 119, 121, 122, 222-224
See application file for complete search history.

(56) **References Cited**

U.S. PATENT DOCUMENTS

D431,593	S	*	10/2000	Gumbe	D18/40
D471,582	S	*	3/2003	Mori	D18/40
D529,947	S	*	10/2006	Nakajima et al.	D18/43
D529,948	S	*	10/2006	Jimba et al.	D18/43
D530,359	S	*	10/2006	Isomura et al.	D18/43
D530,360	S	*	10/2006	Isomura et al.	D18/43
D538,333	S	*	3/2007	Nakajima et al.	D18/43
7,369,798	B2	*	5/2008	Sasae et al.	399/262
D618,721	S	*	6/2010	Wasai	D18/43

FOREIGN PATENT DOCUMENTS

JP	4370540	B1	9/2009
JP	4371177	B1	9/2009
JP	4433095	B1	1/2010

* cited by examiner

Primary Examiner — Garth Rademaker

(74) *Attorney, Agent, or Firm* — Sughrue Mion, PLLC

(57) **CLAIM**

The ornamental design for a toner cartridge, as shown and described.

DESCRIPTION

FIG. 1 is a bottom, front, left side perspective view of a toner cartridge showing our new design;
FIG. 2 is a top, front, left side perspective view thereof;
FIG. 3 is a bottom, rear, right side perspective view thereof;
FIG. 4 is a front view thereof;
FIG. 5 is a rear view thereof;
FIG. 6 is a top plan view thereof;
FIG. 7 is a bottom view thereof;
FIG. 8 is a left side view thereof; and,
FIG. 9 is a right side view thereof.

The portions of the article in broken line are shown for illustrative purposes only and form no part of the claimed design. The portions of the article in dashed-dotted line are shown for boundaries between the claimed portion and the non-claimed portion and form no part of the claimed design.

1 Claim, 8 Drawing Sheets

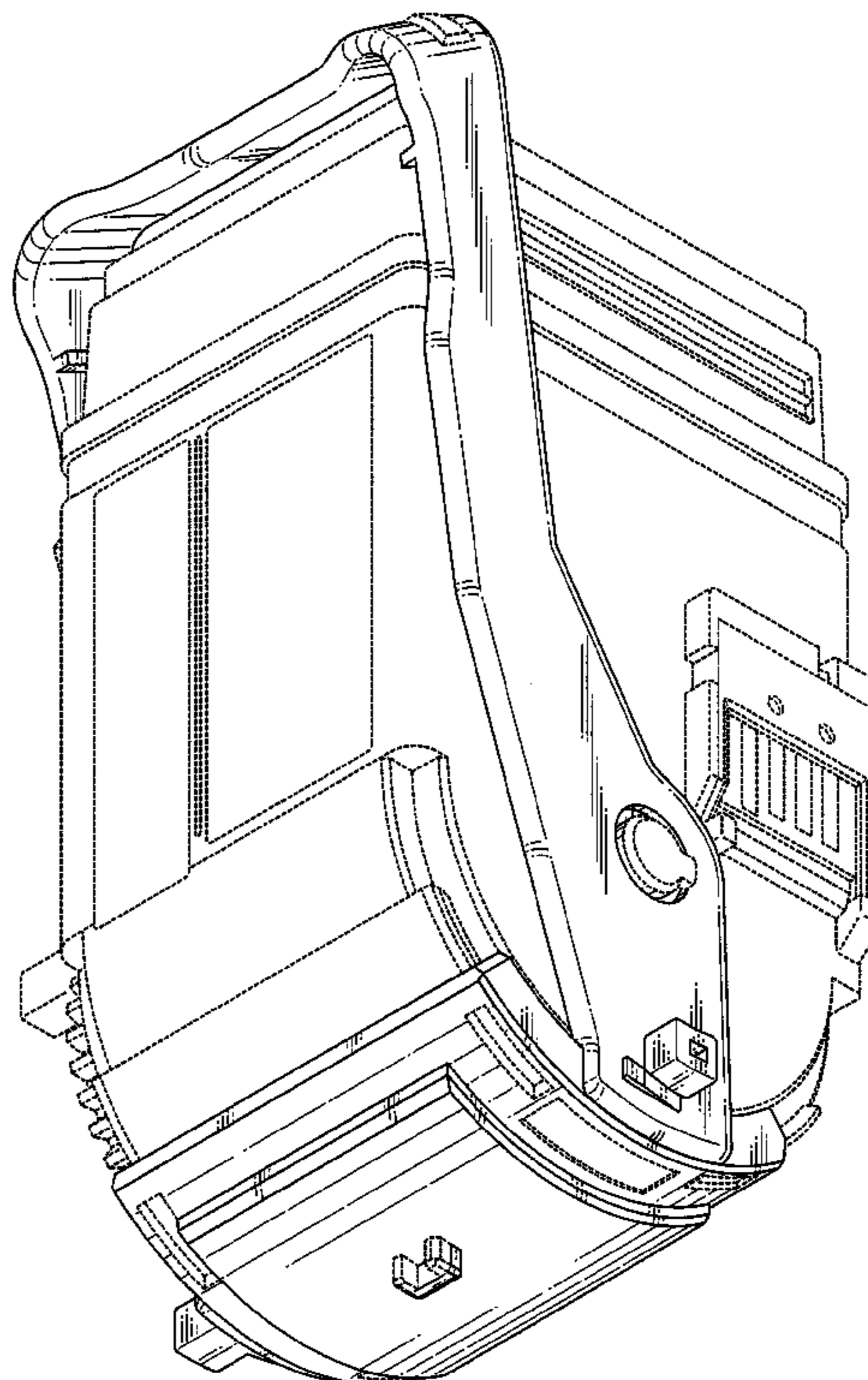
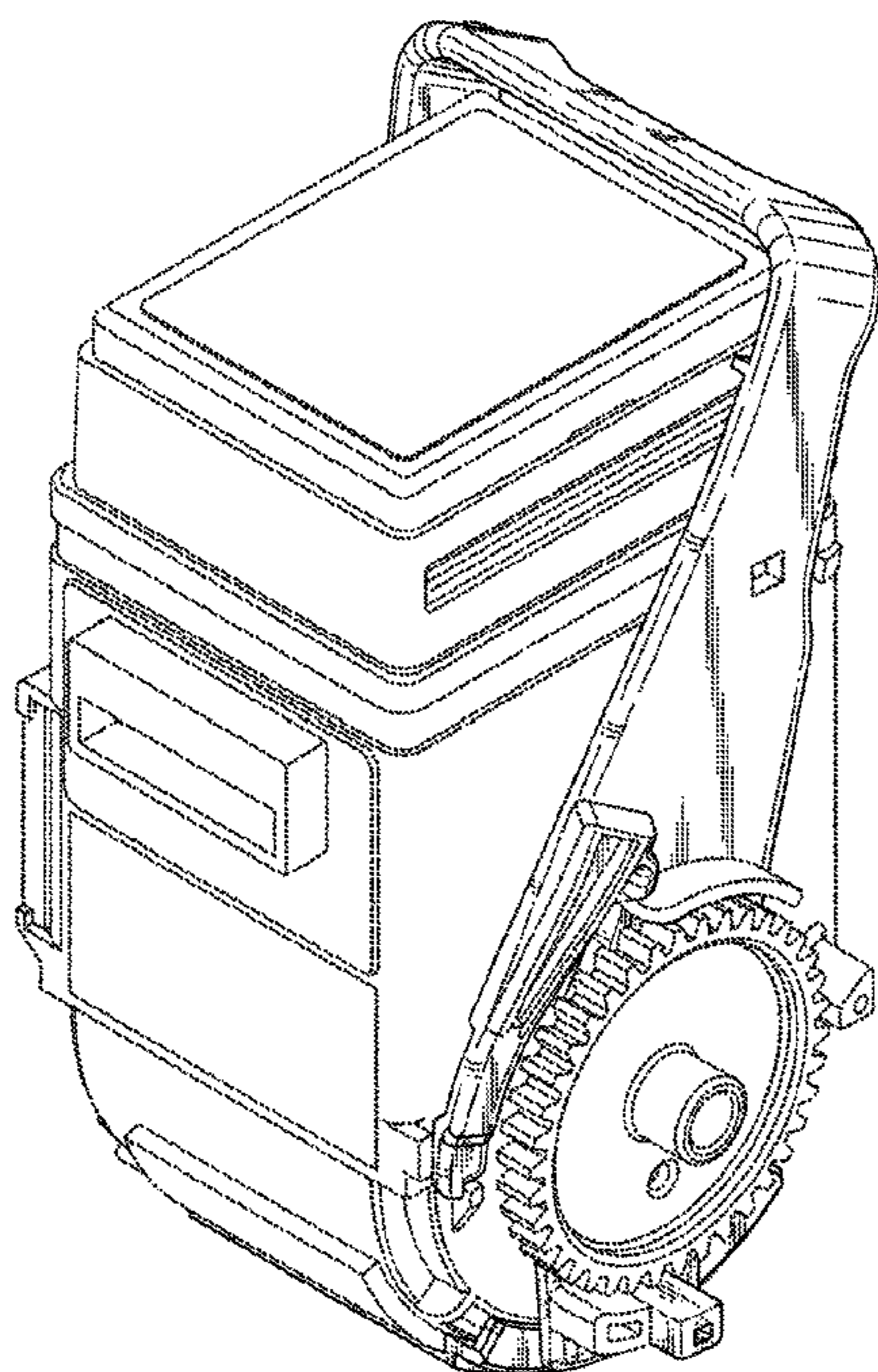


FIG. 1

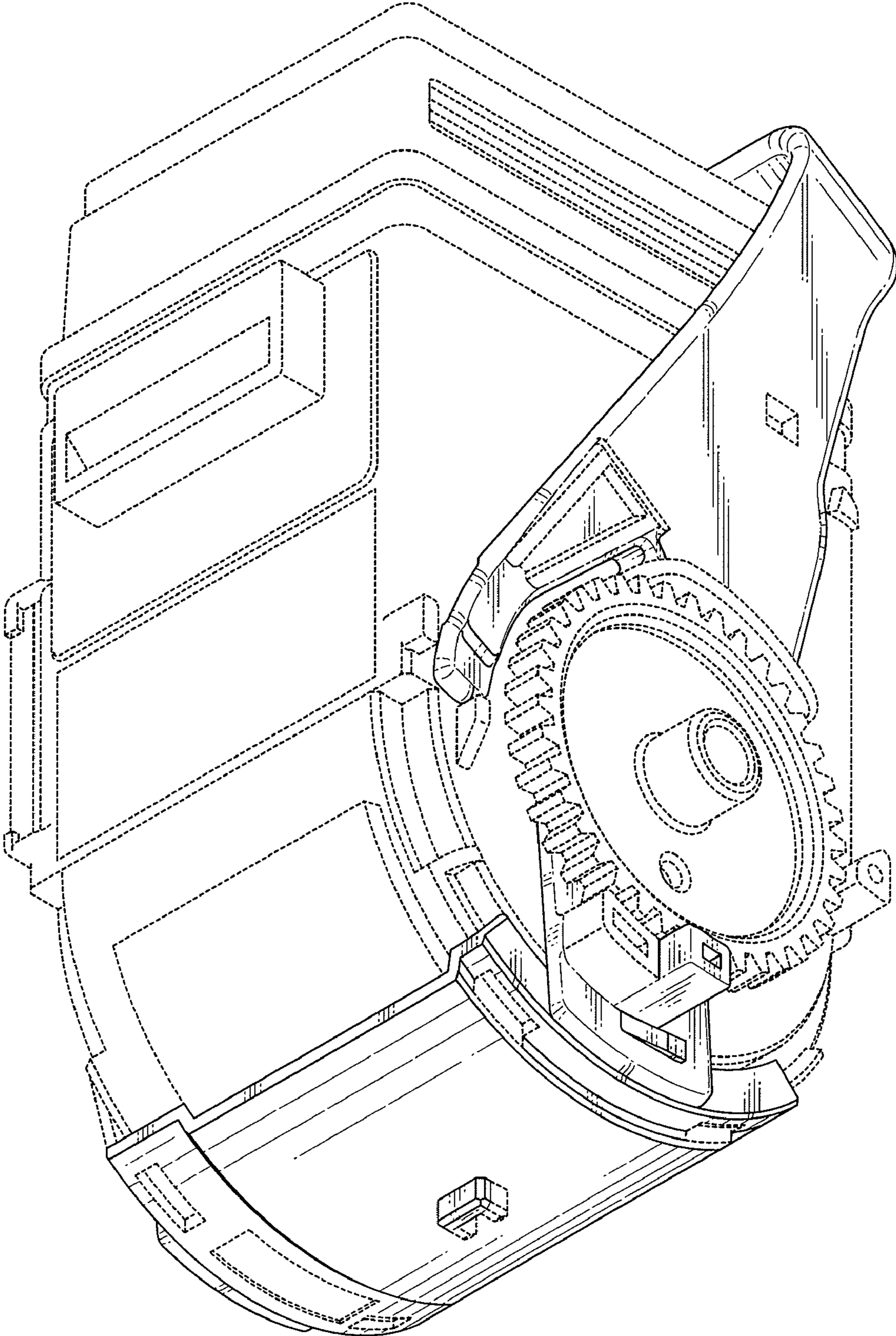


FIG. 2

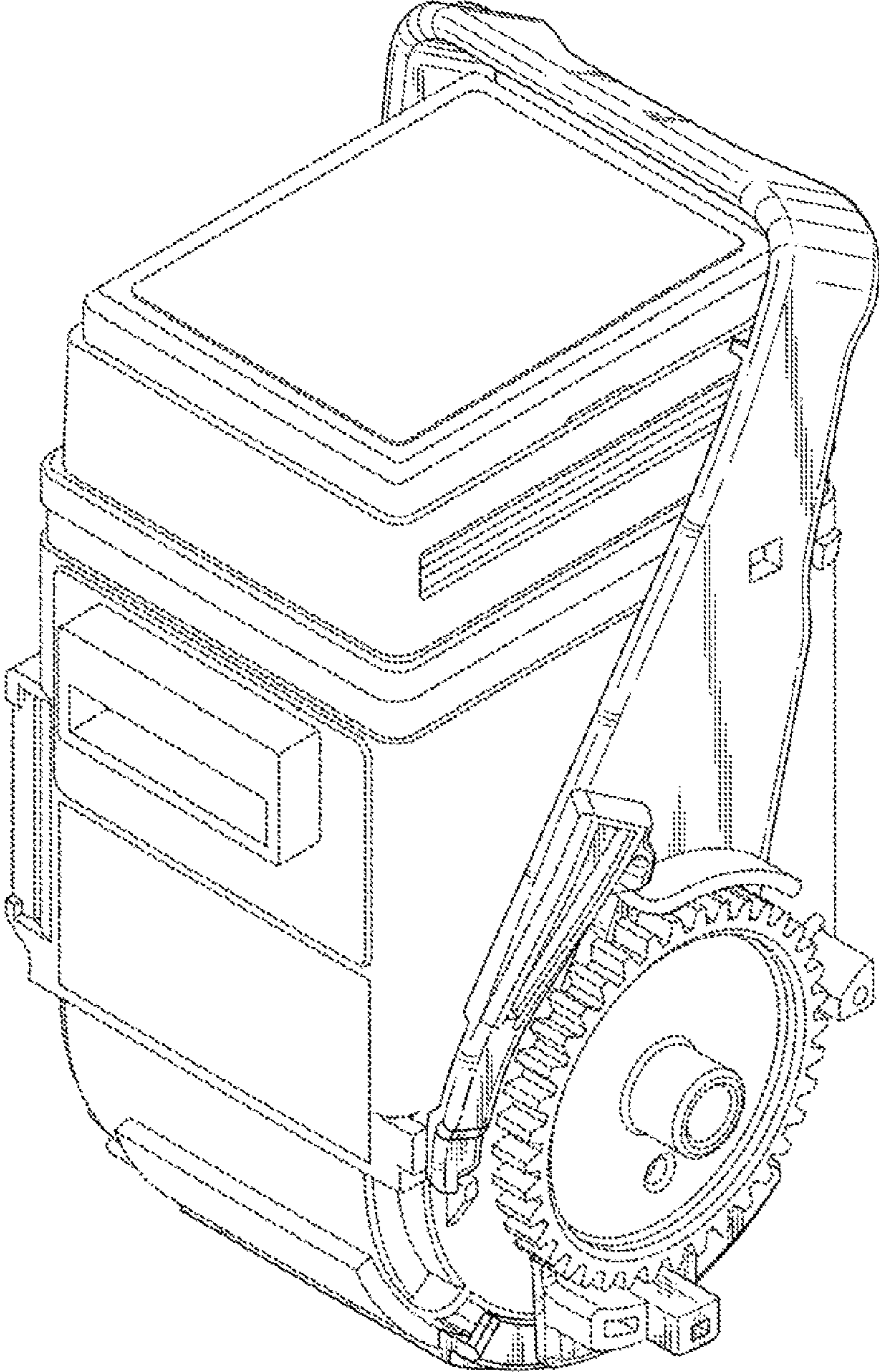


FIG.3

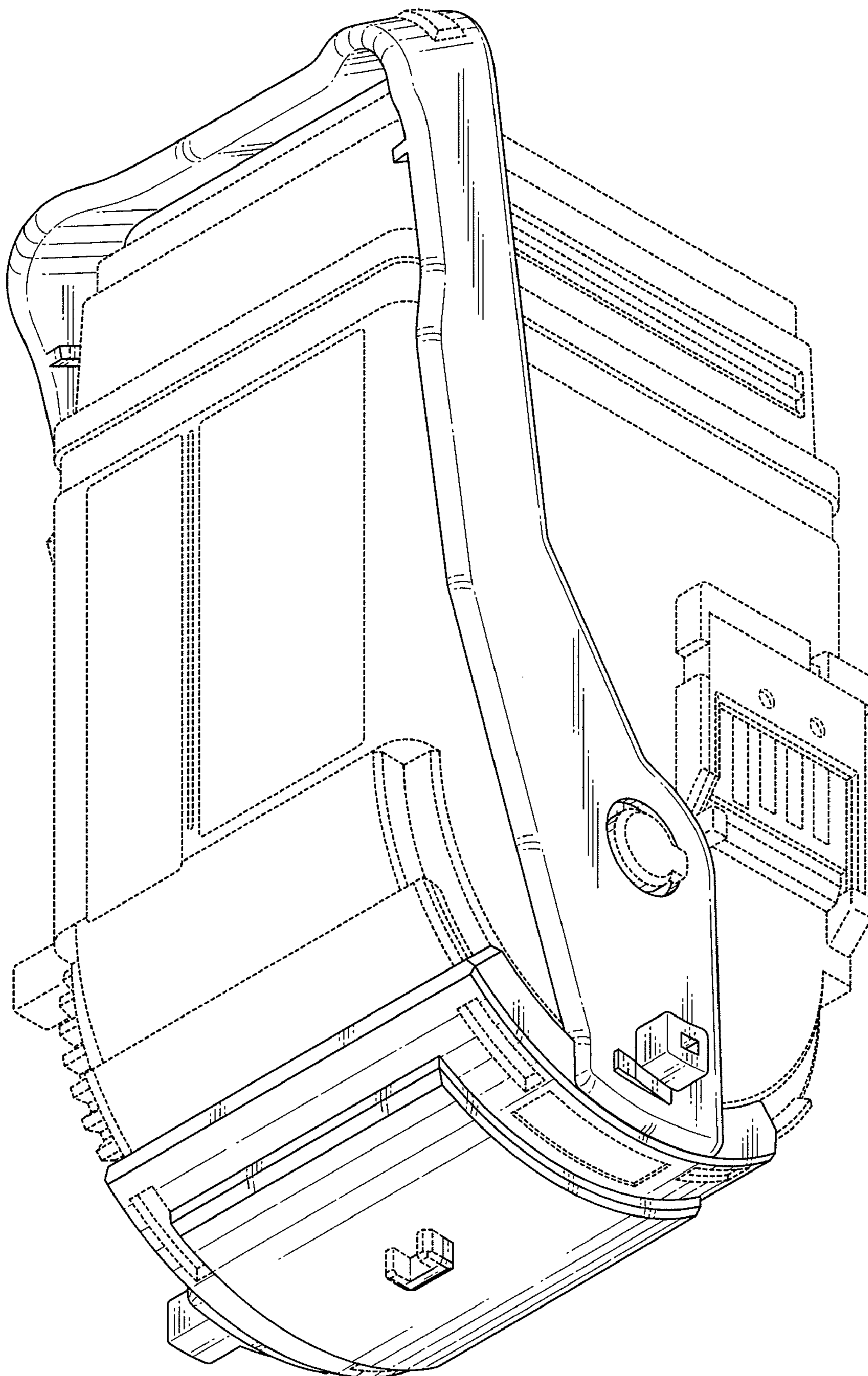


FIG. 4

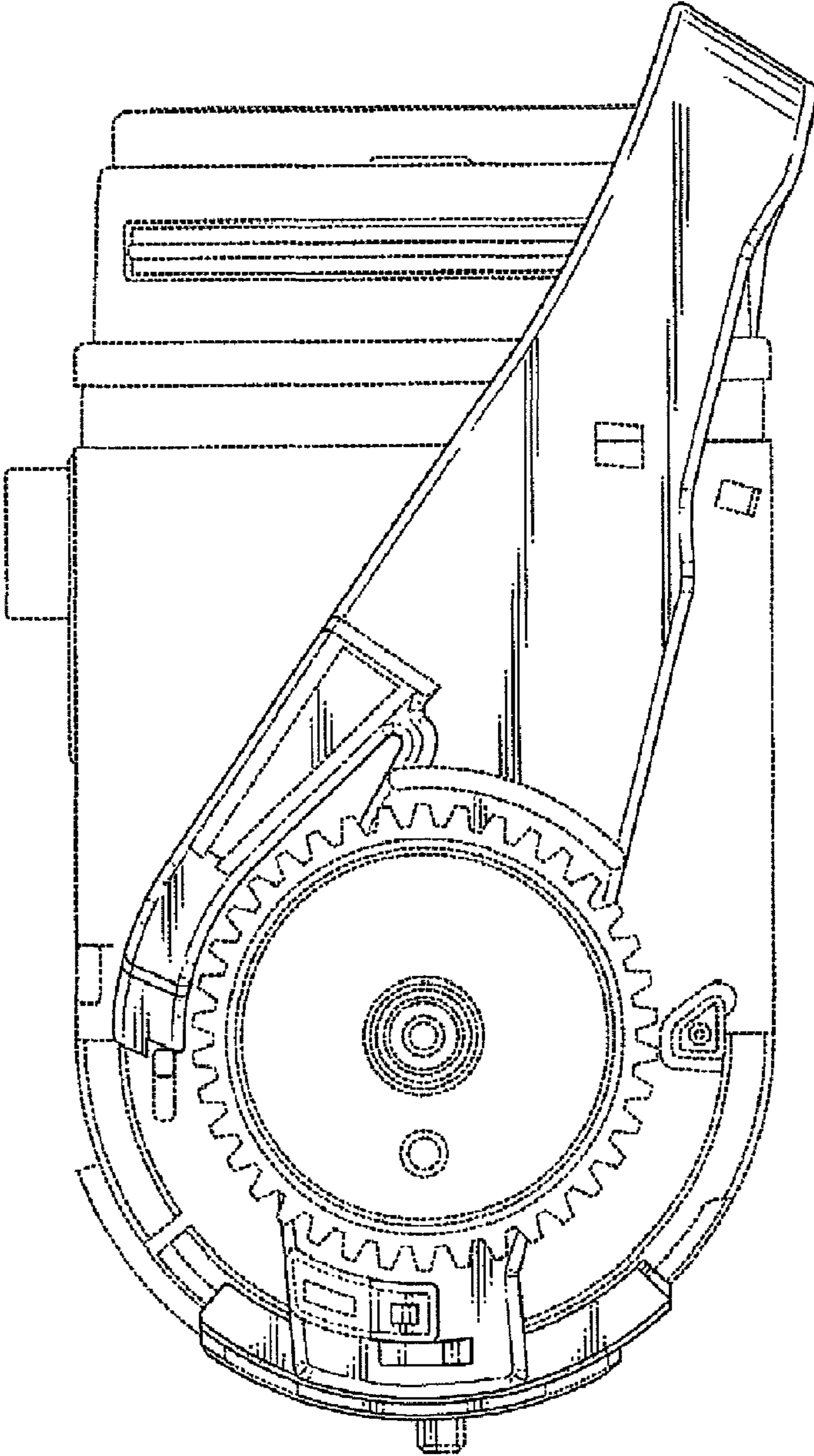


FIG. 5

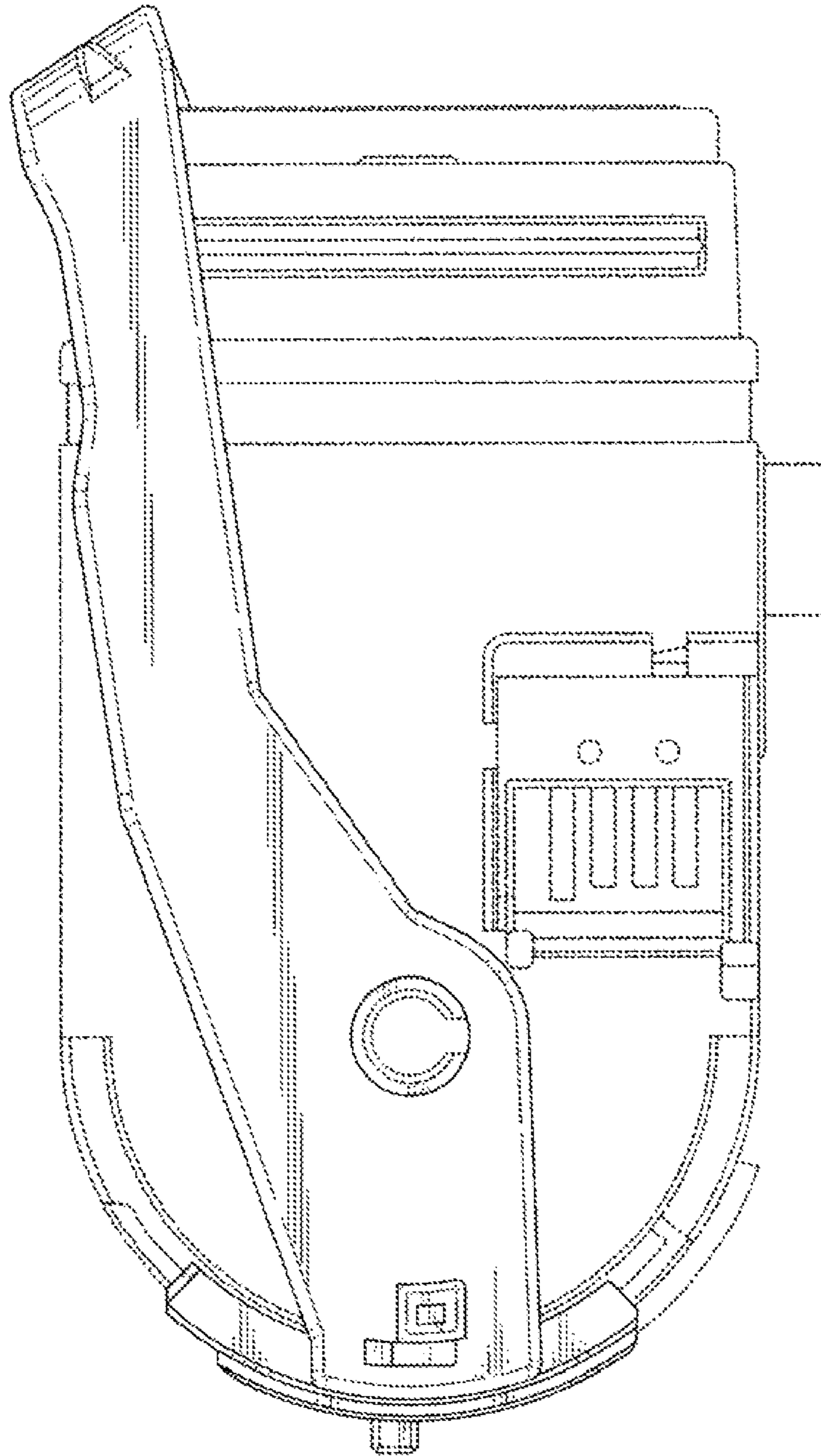


FIG. 6

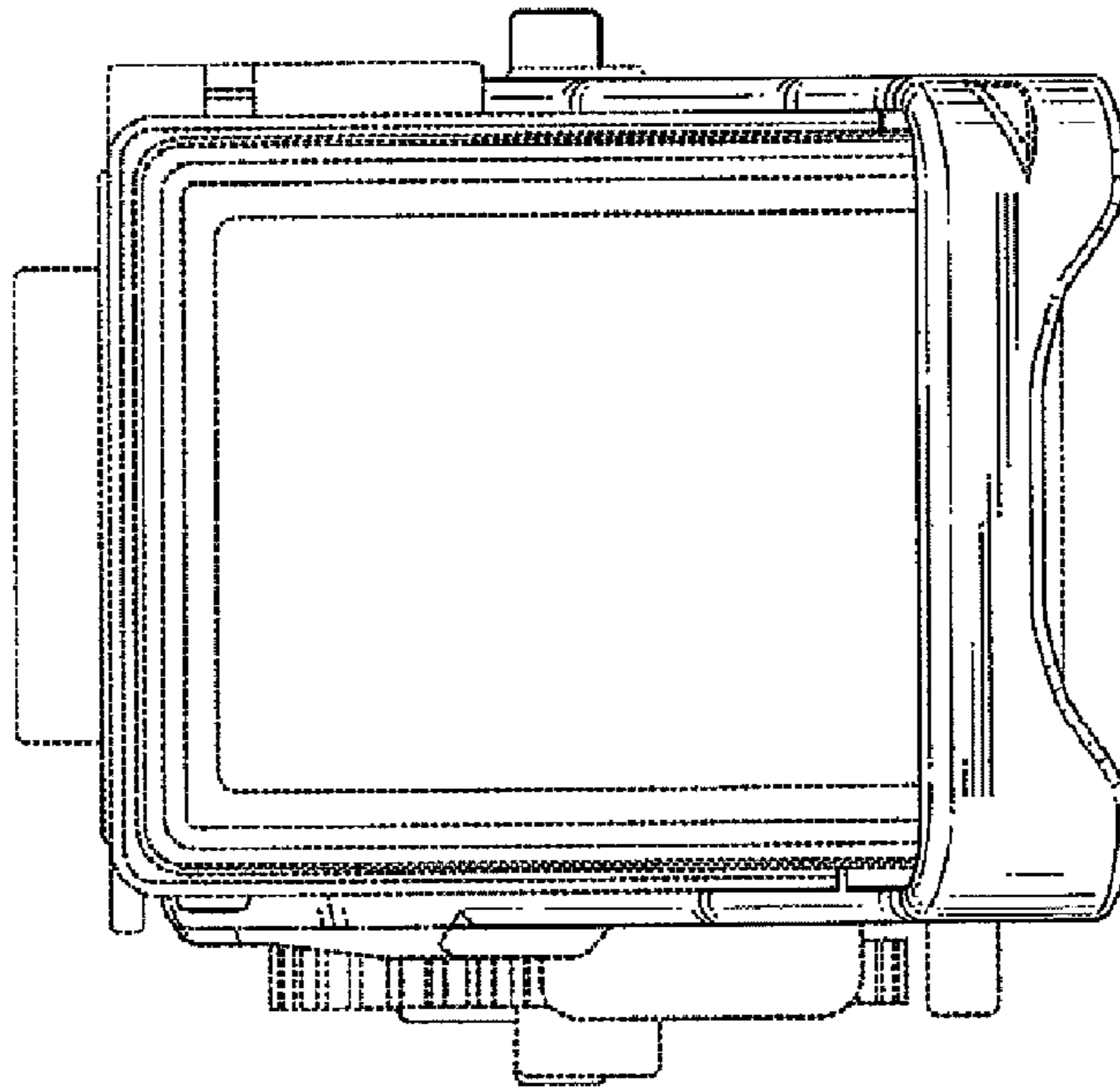


FIG. 7

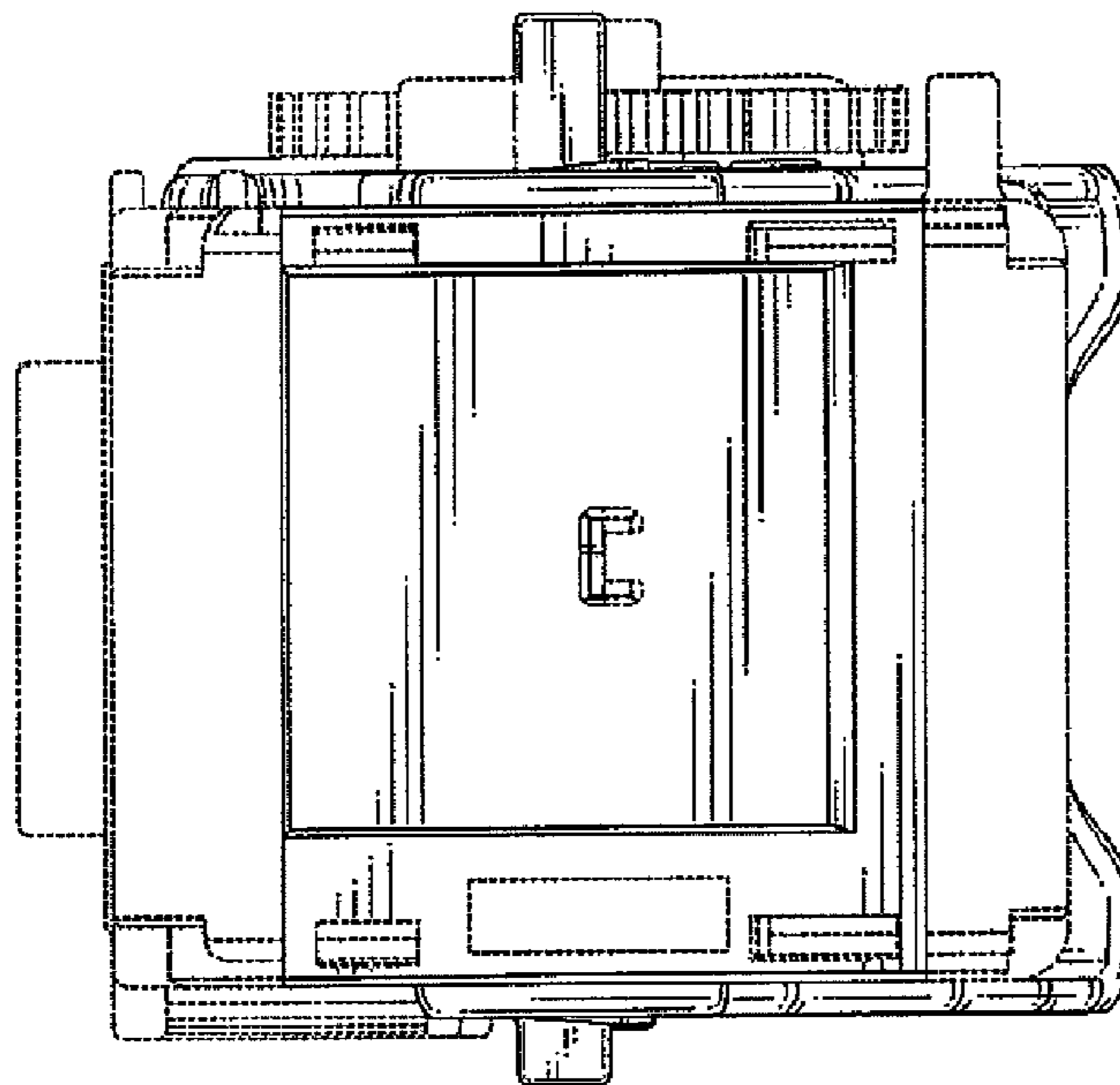


FIG. 8

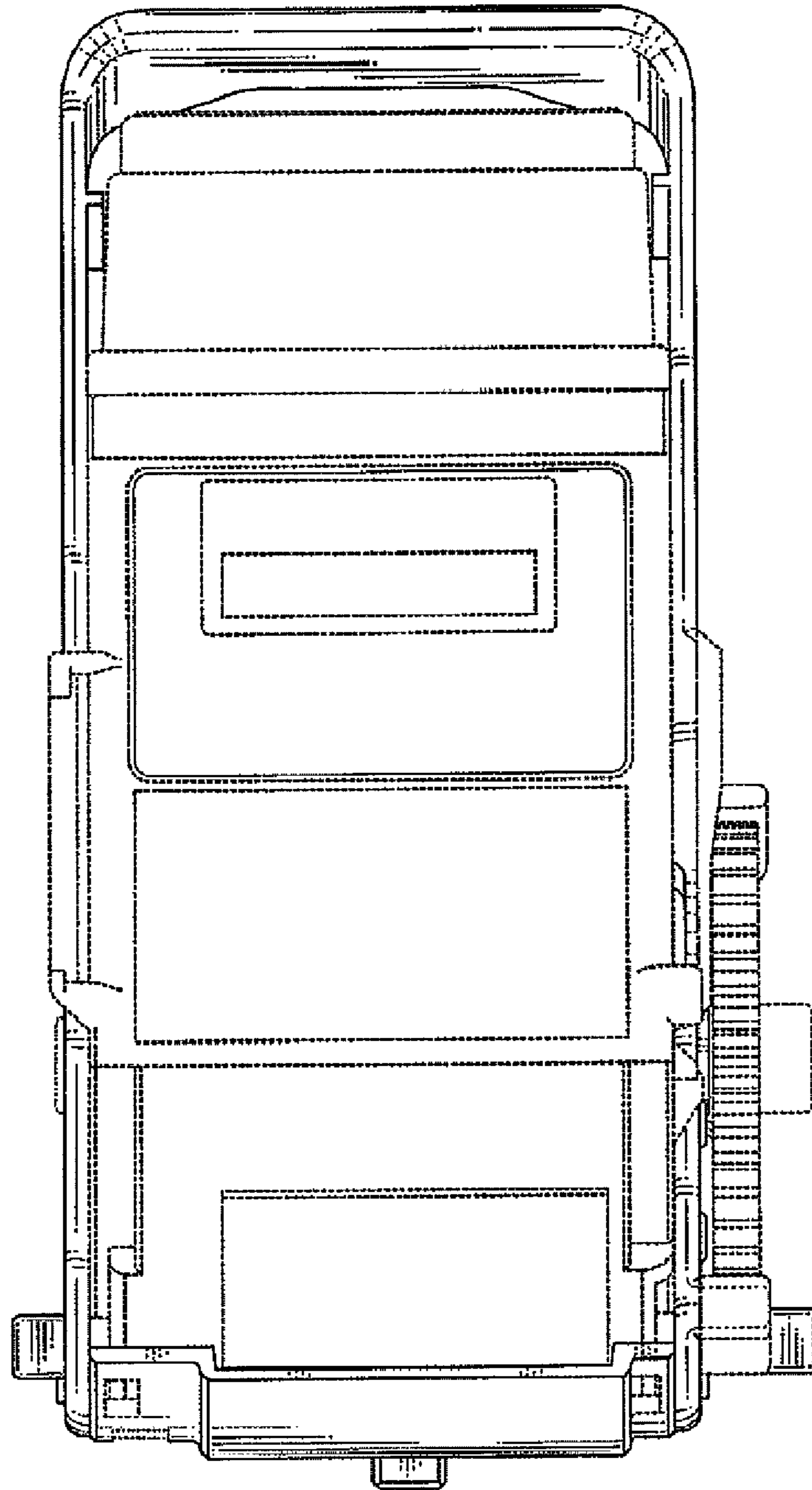


FIG. 9

