



US00D659185S

(12) **United States Design Patent**
Watson

(10) **Patent No.:** **US D659,185 S**

(45) **Date of Patent:** **** May 8, 2012**

(54) **SHREDDER**

(75) Inventor: **Chris Watson**, Standlake (GB)

(73) Assignee: **Chervon Limited**, Wanchai (HK)

(**) Term: **14 Years**

(21) Appl. No.: **29/386,297**

(22) Filed: **Feb. 28, 2011**

(30) **Foreign Application Priority Data**

Aug. 27, 2010 (CN) 2010 3 0291454

(51) **LOC (9) Cl.** **18-04**

(52) **U.S. Cl.** **D18/34.4**

(58) **Field of Classification Search** D18/34.4,
D18/34.5; D23/356, 359, 360, 364; 241/100,
241/236, 30, 36

See application file for complete search history.

(56) **References Cited**

U.S. PATENT DOCUMENTS

4,997,134 A * 3/1991 MacGregor 241/3
D320,807 S * 10/1991 Krause et al. D18/34.4

D375,973 S * 11/1996 Kennedy et al. D18/34.4
5,839,675 A * 11/1998 Henreckson et al. 241/100
D404,756 S * 1/1999 Dzierzk D18/34.4
D454,362 S * 3/2002 Kusters D18/34.6
D474,231 S * 5/2003 Lammers et al. D18/34.4

* cited by examiner

Primary Examiner — Bridget L Eland

(74) *Attorney, Agent, or Firm* — McDermott Will & Emery LLP

(57) **CLAIM**

I claim the ornamental design for a shredder, as shown and described.

DESCRIPTION

FIG. 1 is a right side view of a shredder according to the new design.

FIG. 2 is a left side view of the shredder shown in FIG. 1.

FIG. 3 is a rear view of the shredder shown in FIG. 1.

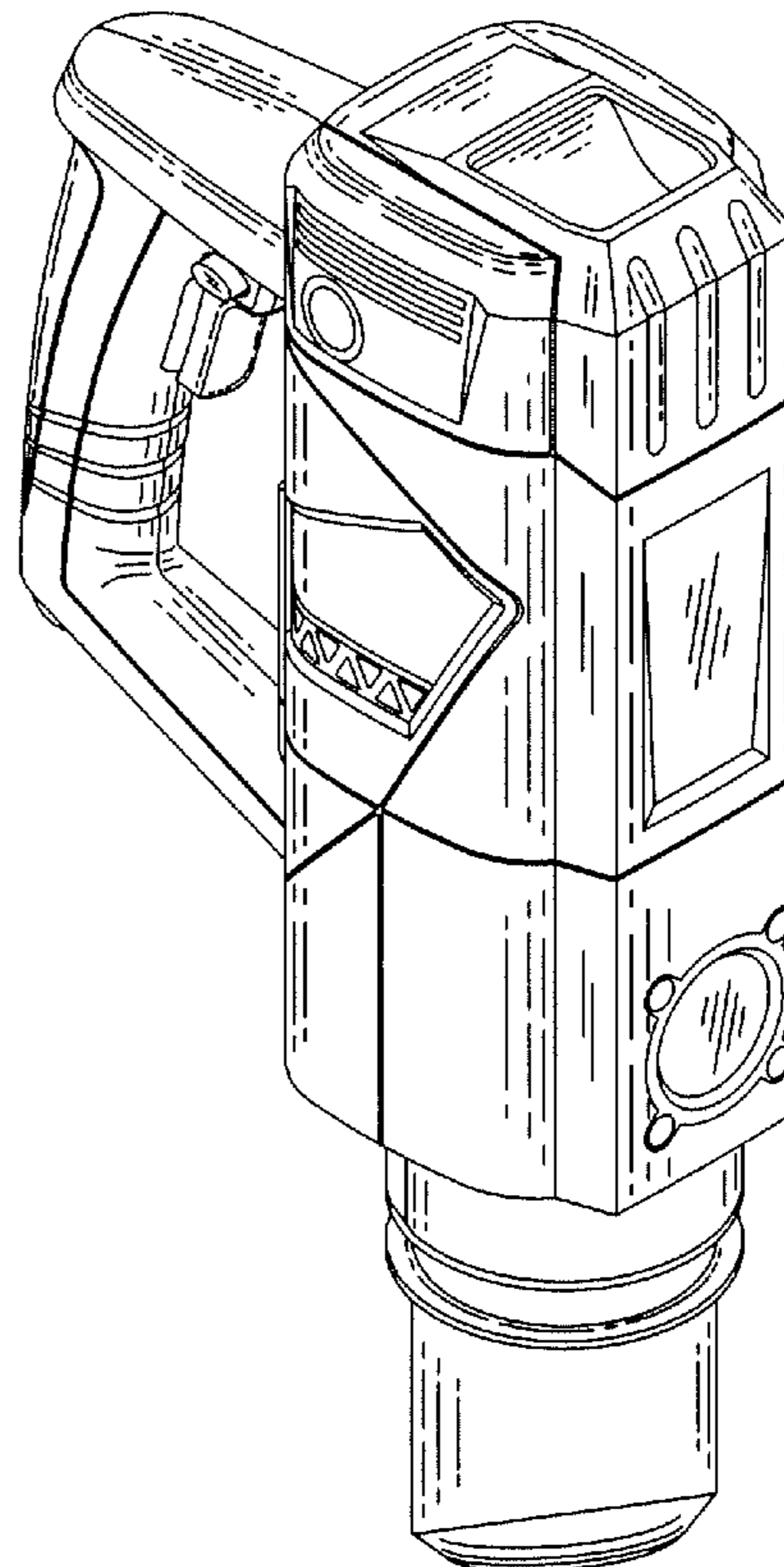
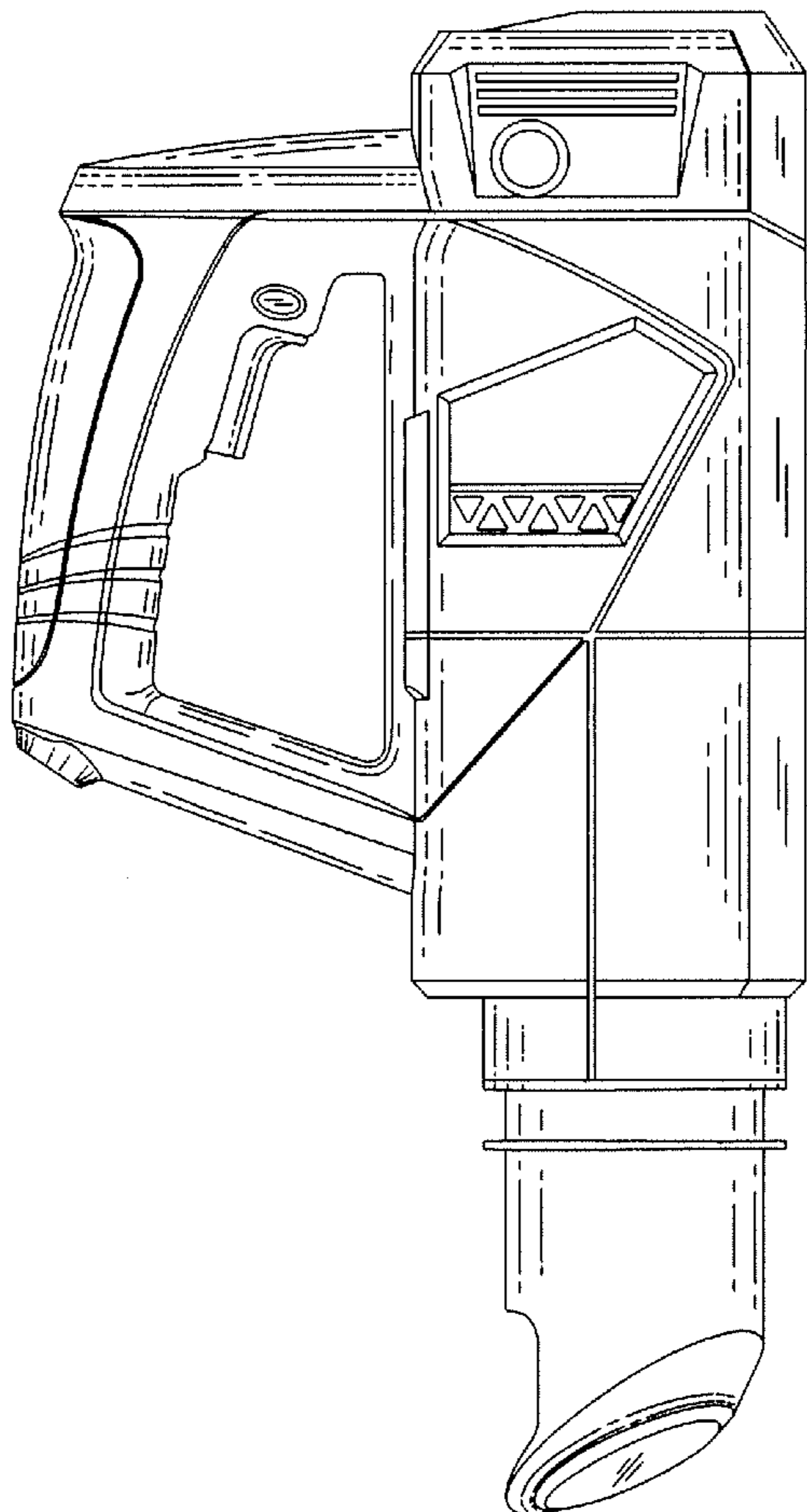
FIG. 4 is a front view of the shredder shown in FIG. 1.

FIG. 5 is a top view of the shredder shown in FIG. 1.

FIG. 6 is a bottom view of the shredder shown in FIG. 1; and,

FIG. 7 is a side perspective view of the shredder shown in FIG. 1.

1 Claim, 7 Drawing Sheets



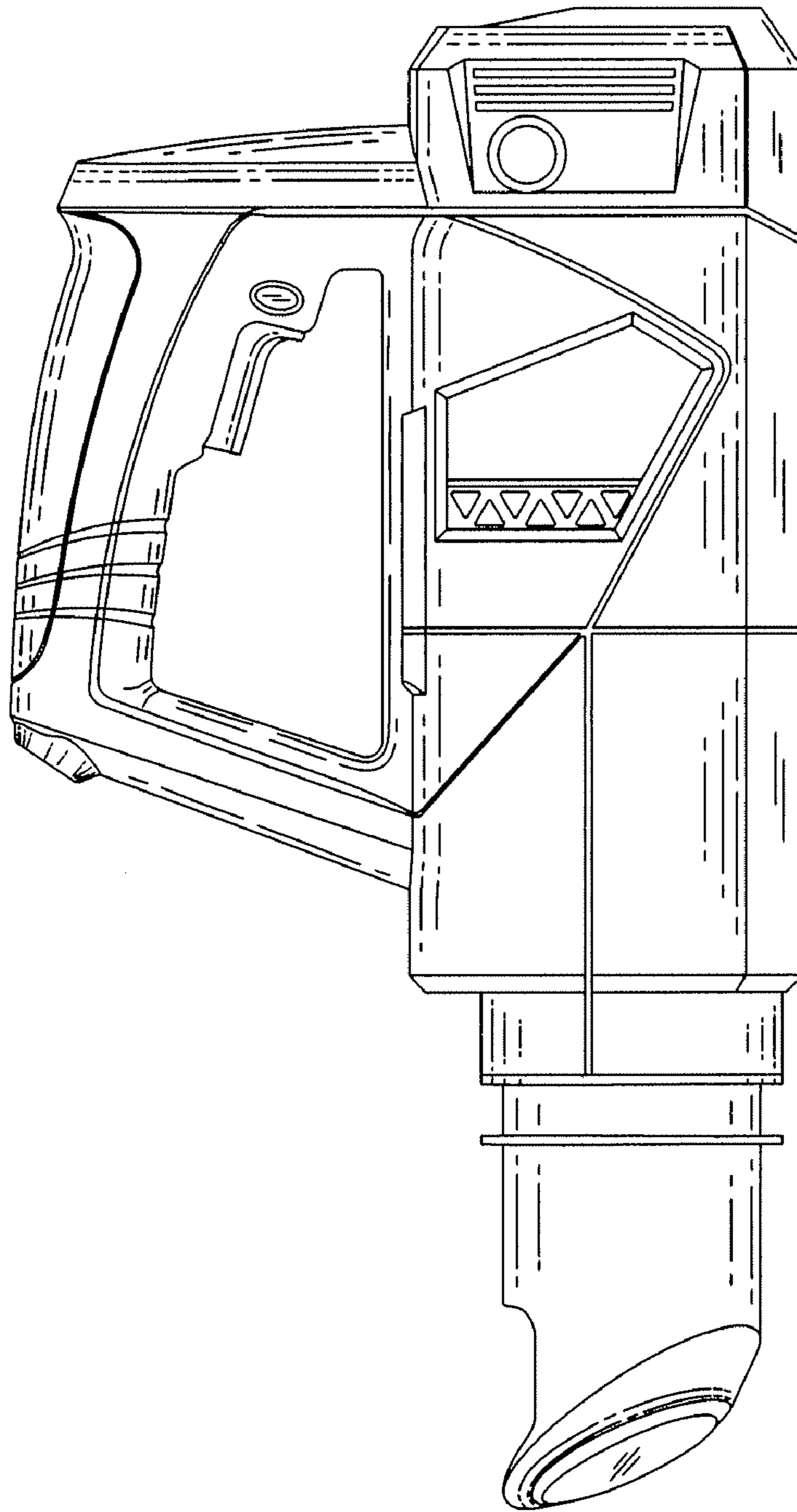


Fig. 1

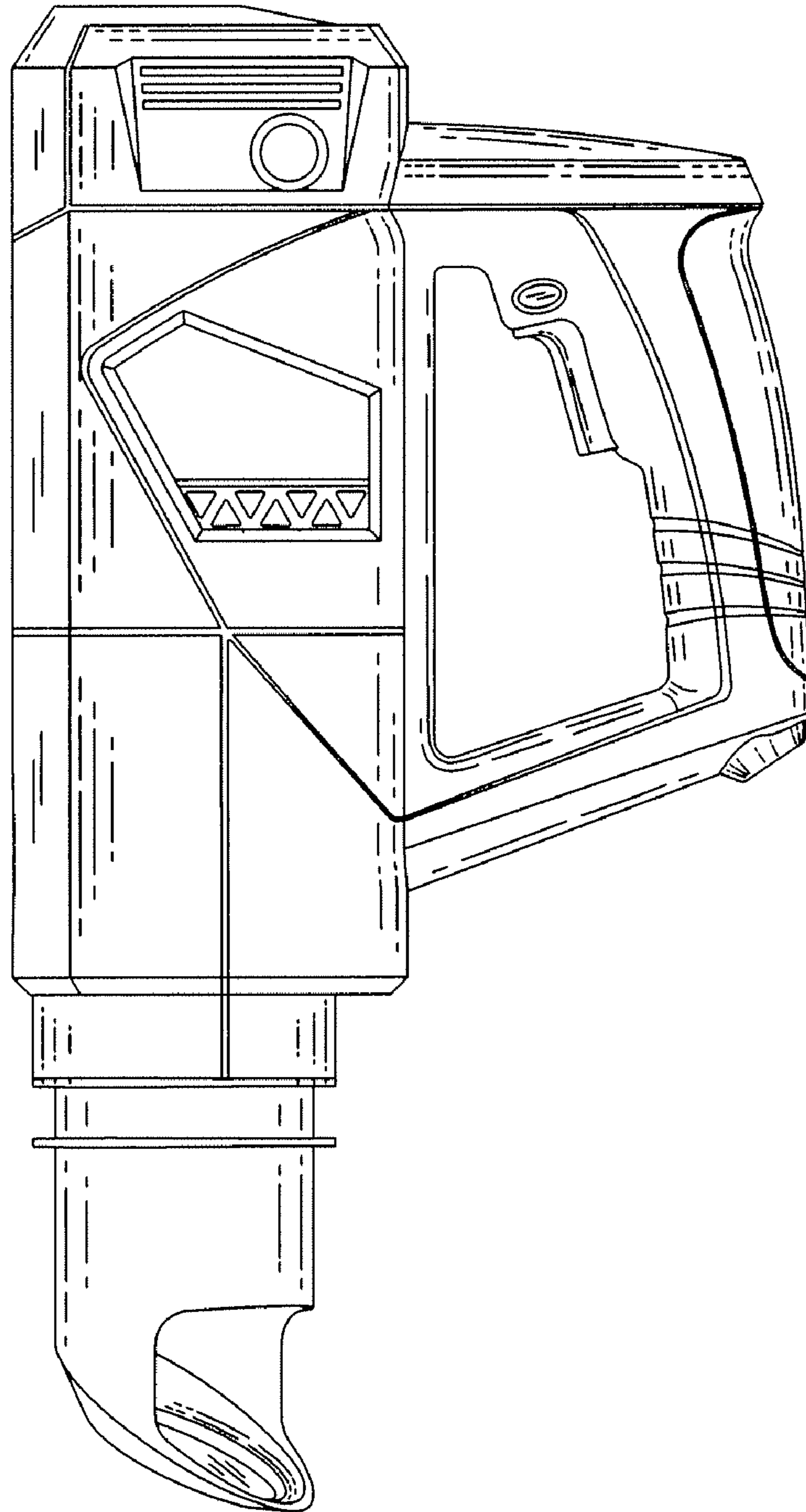


Fig. 2

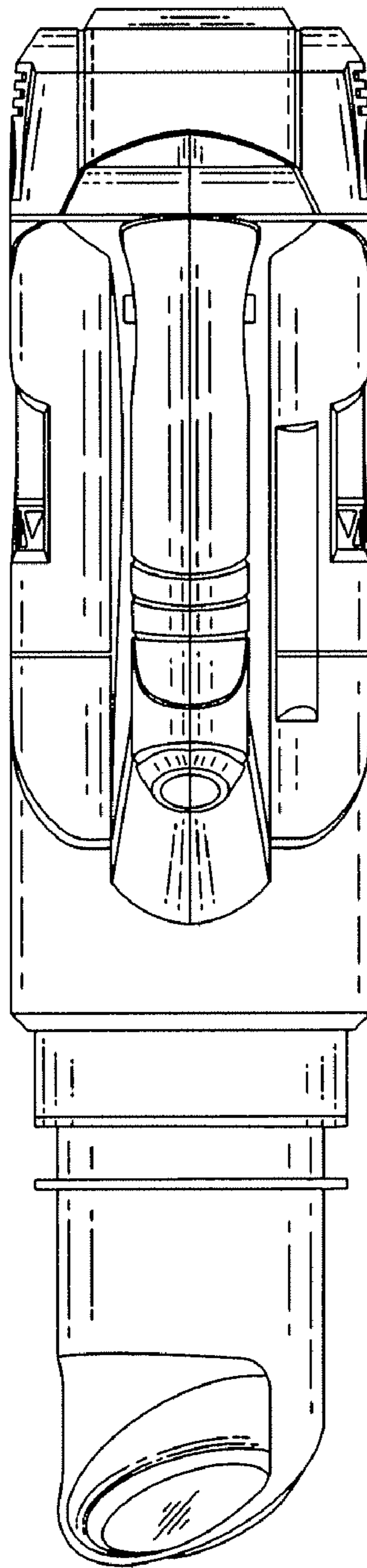


Fig. 3

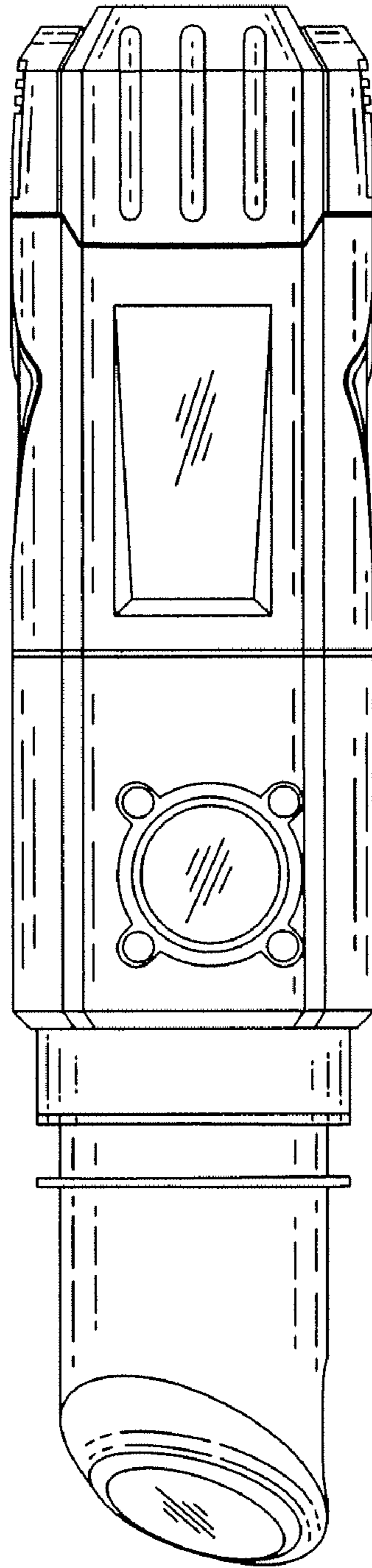


Fig. 4

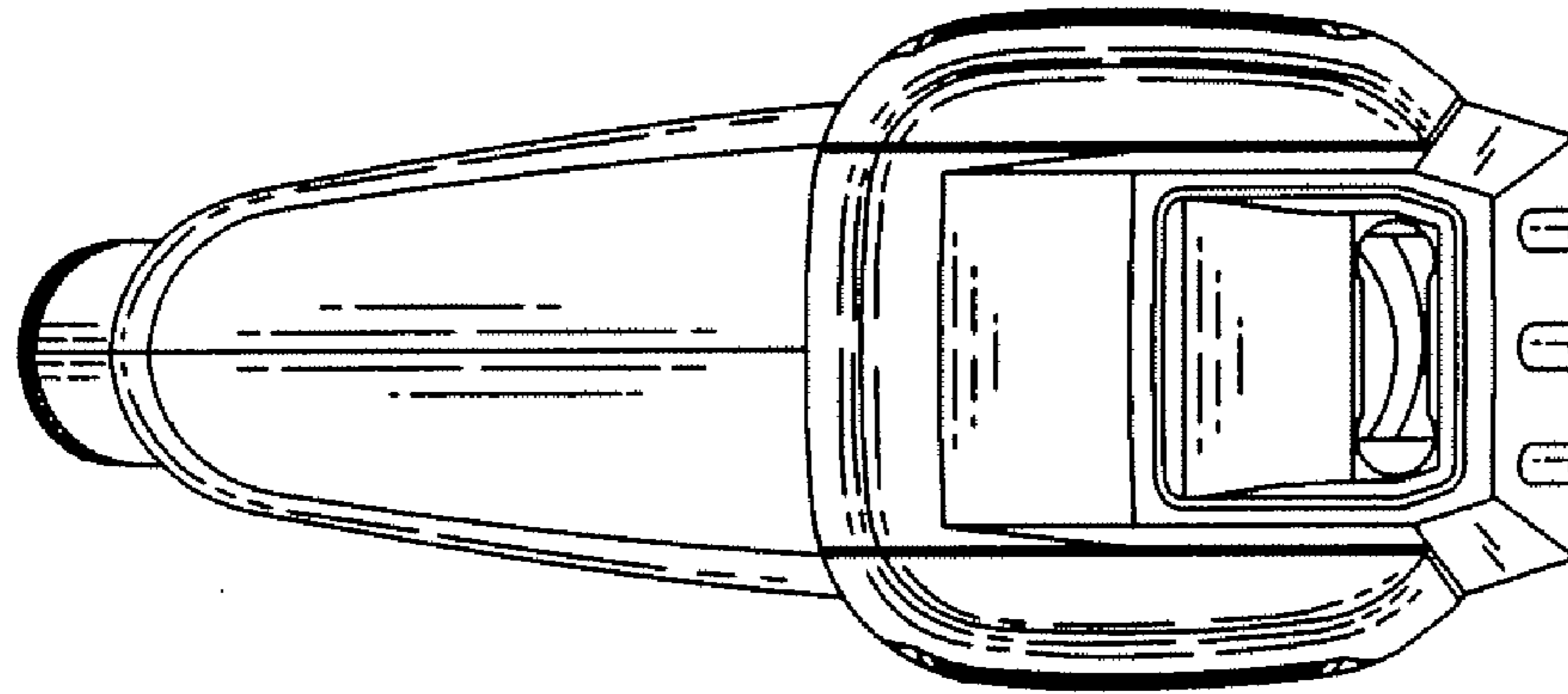


Fig. 5

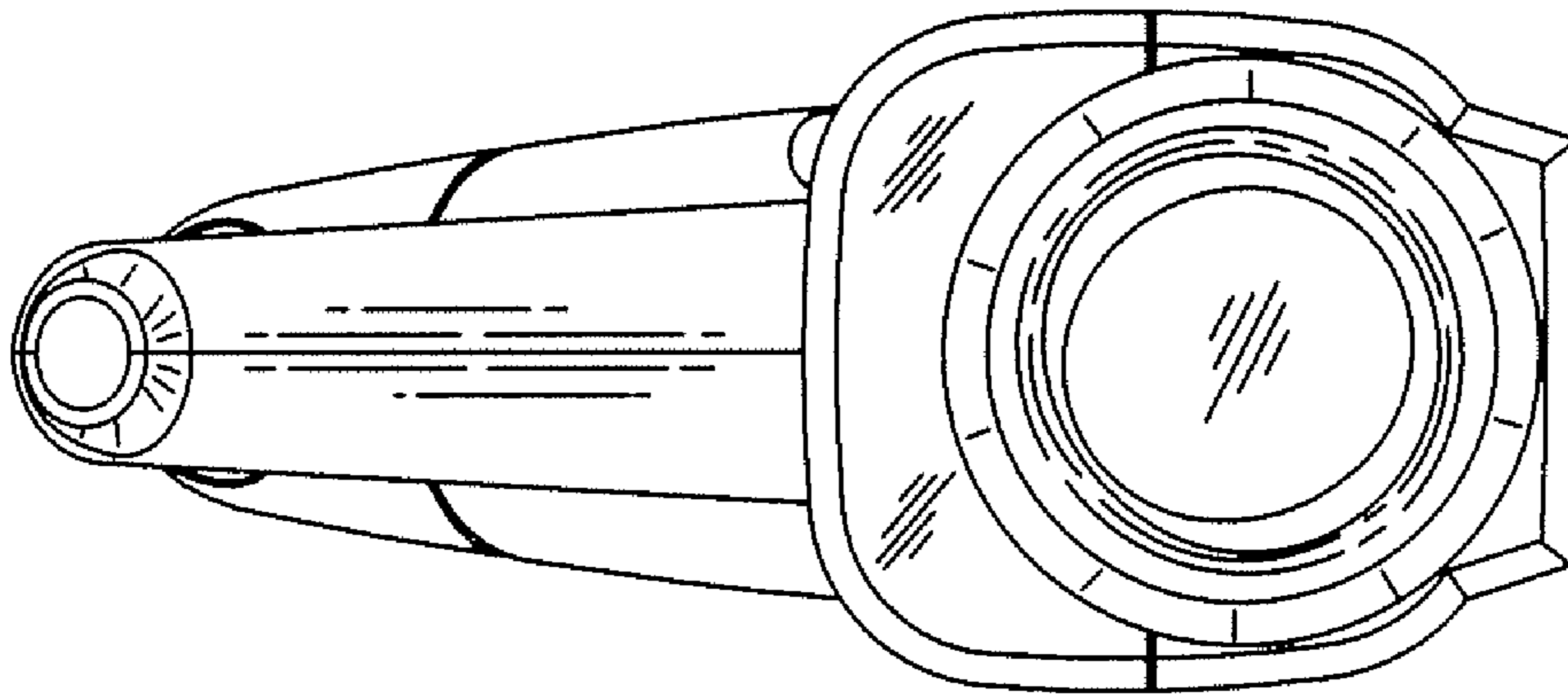


Fig. 6

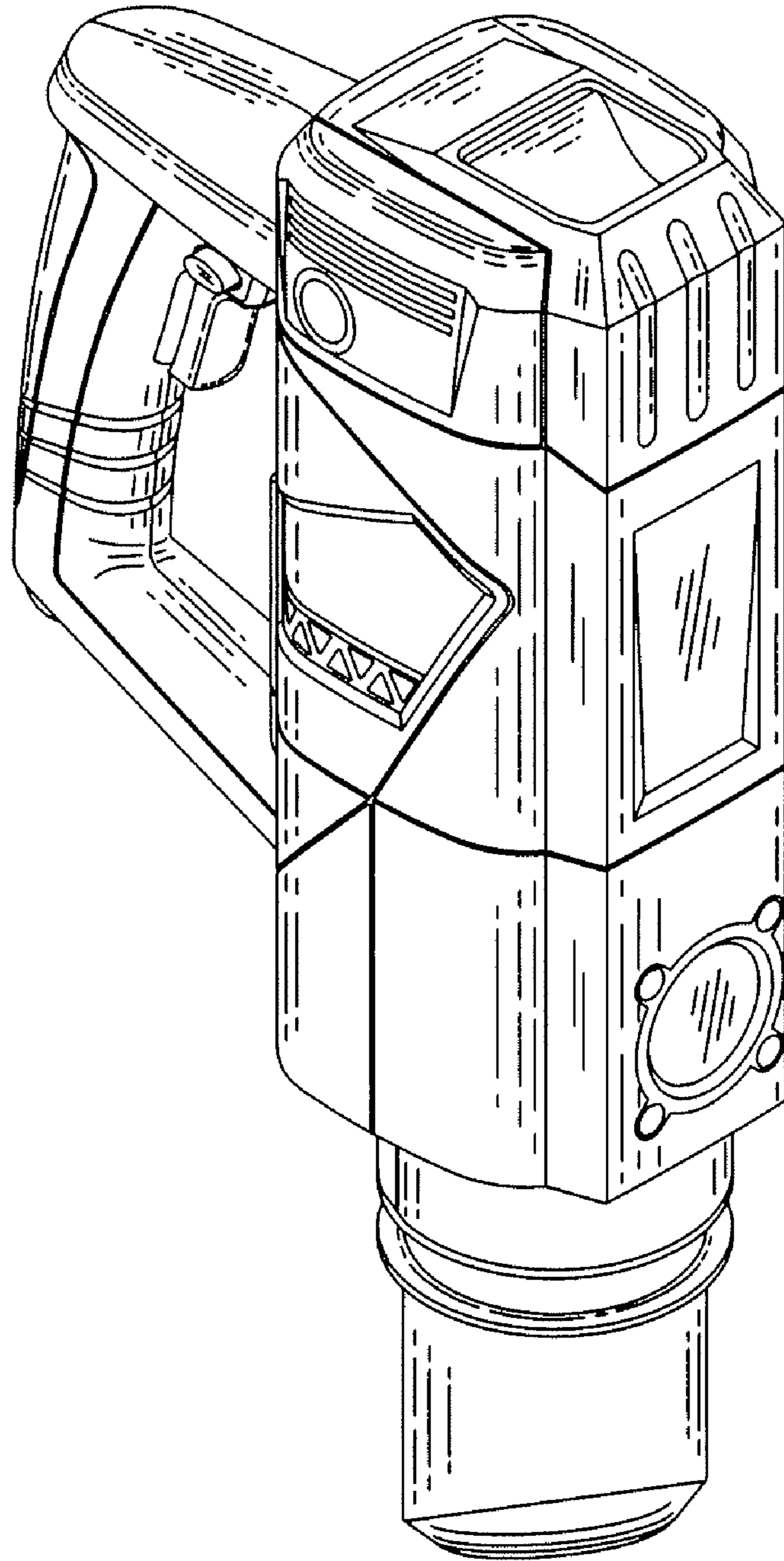


Fig. 7