



US00D659179S

(12) **United States Design Patent**
Thixton

(10) **Patent No.:** **US D659,179 S**
(45) **Date of Patent:** **** May 8, 2012**

- (54) **EYEGLASS**
 - (75) Inventor: **Lek Thixton**, Eastsound, WA (US)
 - (73) Assignee: **Oakley, Inc.**, Foothill Ranch, CA (US)
 - (**) Term: **14 Years**
 - (21) Appl. No.: **29/400,719**
 - (22) Filed: **Aug. 31, 2011**
 - (51) **LOC (9) Cl.** **16-06**
 - (52) **U.S. Cl.** **D16/313; D16/326**
 - (58) **Field of Classification Search** D16/101,
D16/300-342, 900; D29/109-110; D24/110.2;
351/41, 44, 51-52, 62, 158, 92, 103-123,
351/140, 153, 45-46; 2/426-432, 447-449,
2/441, 434-437, 13, 15; D21/483, 659-661;
D14/372
- See application file for complete search history.

D557,326 S	12/2007	Jannard et al.
D558,816 S	1/2008	Yee
D561,809 S	2/2008	Yee
D564,570 S	3/2008	Mage
D565,087 S	3/2008	Yee et al.
D572,745 S	7/2008	Moritz
D575,323 S	8/2008	Jannard et al.
D575,813 S	8/2008	Li
D606,575 S *	12/2009	Markovitz et al. D16/313
D610,604 S	2/2010	Thixton
D616,015 S	5/2010	Markovitz et al.
D616,919 S	6/2010	Thixton
D620,970 S	8/2010	Thixton

* cited by examiner

Primary Examiner — Raphael Barkai
(74) *Attorney, Agent, or Firm* — Knobbe Martens Olson & Bear, LLP

(57) **CLAIM**
The ornamental design for an eyeglass, as shown and described.

(56) **References Cited**

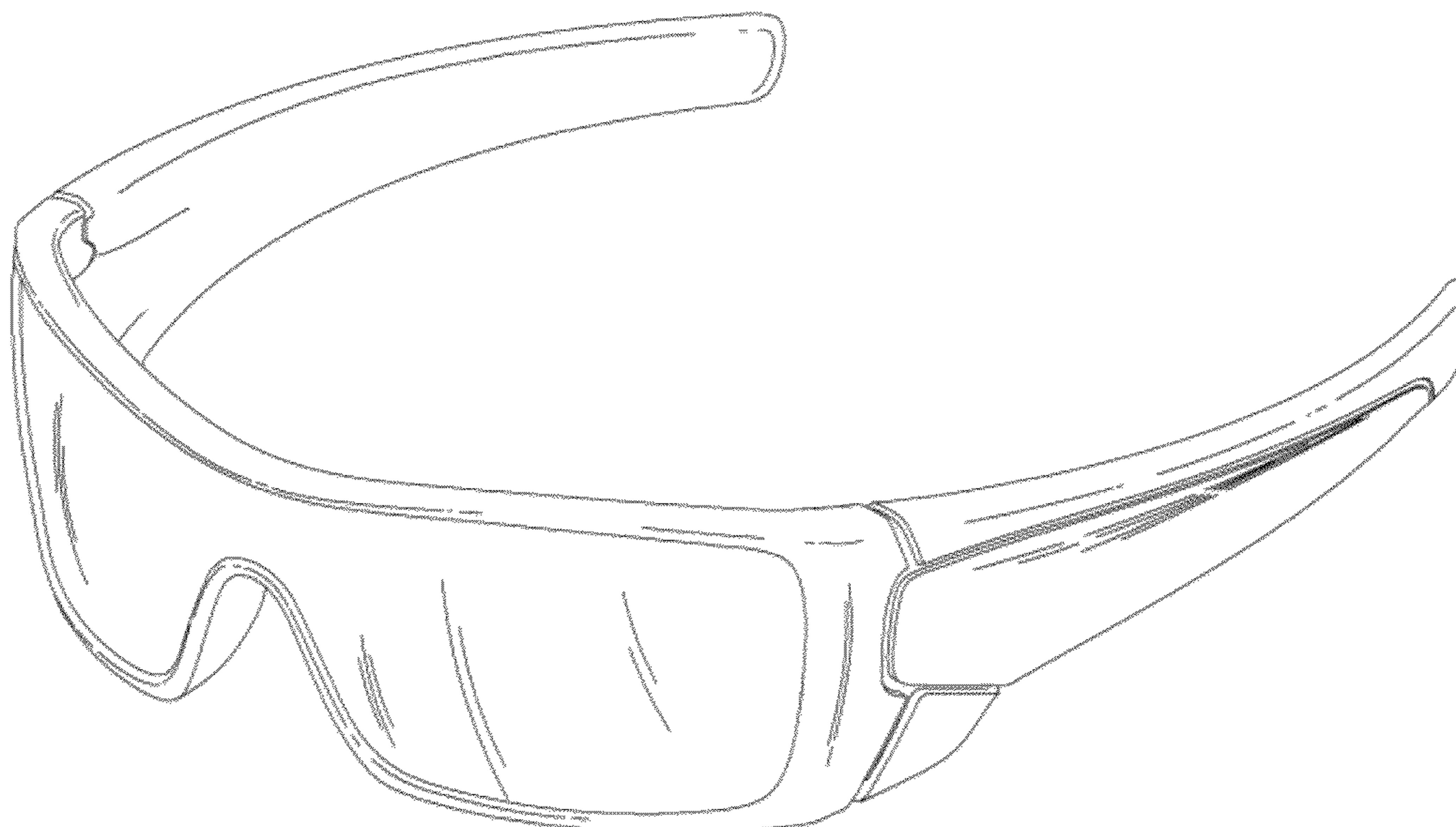
U.S. PATENT DOCUMENTS

D430,591 S	9/2000	Arnette	
D534,573 S	1/2007	Mage	
D537,861 S	3/2007	Teng	
D541,839 S *	5/2007	Sheldon D16/326
D546,867 S	7/2007	Teng	
D547,794 S	7/2007	Jannard et al.	
D548,269 S	8/2007	Baden et al.	
D550,272 S	9/2007	Markovitz	
D552,665 S	10/2007	Mage	
D553,176 S	10/2007	Yee et al.	
D555,187 S	11/2007	Yee	
D557,325 S	12/2007	Jannard et al.	

DESCRIPTION

FIG. 1 is a front perspective view of an eyeglass of the present invention;
FIG. 2 is a front elevational view thereof;
FIG. 3 is a rear elevational view thereof;
FIG. 4 is a left side elevational view thereof, the right side elevational view being a mirror image thereof;
FIG. 5 is a top plan view thereof; and,
FIG. 6 is a bottom plan view thereof.
The broken line portions of the drawings are for illustrative purposes only and form no part of the claimed design.

1 Claim, 4 Drawing Sheets



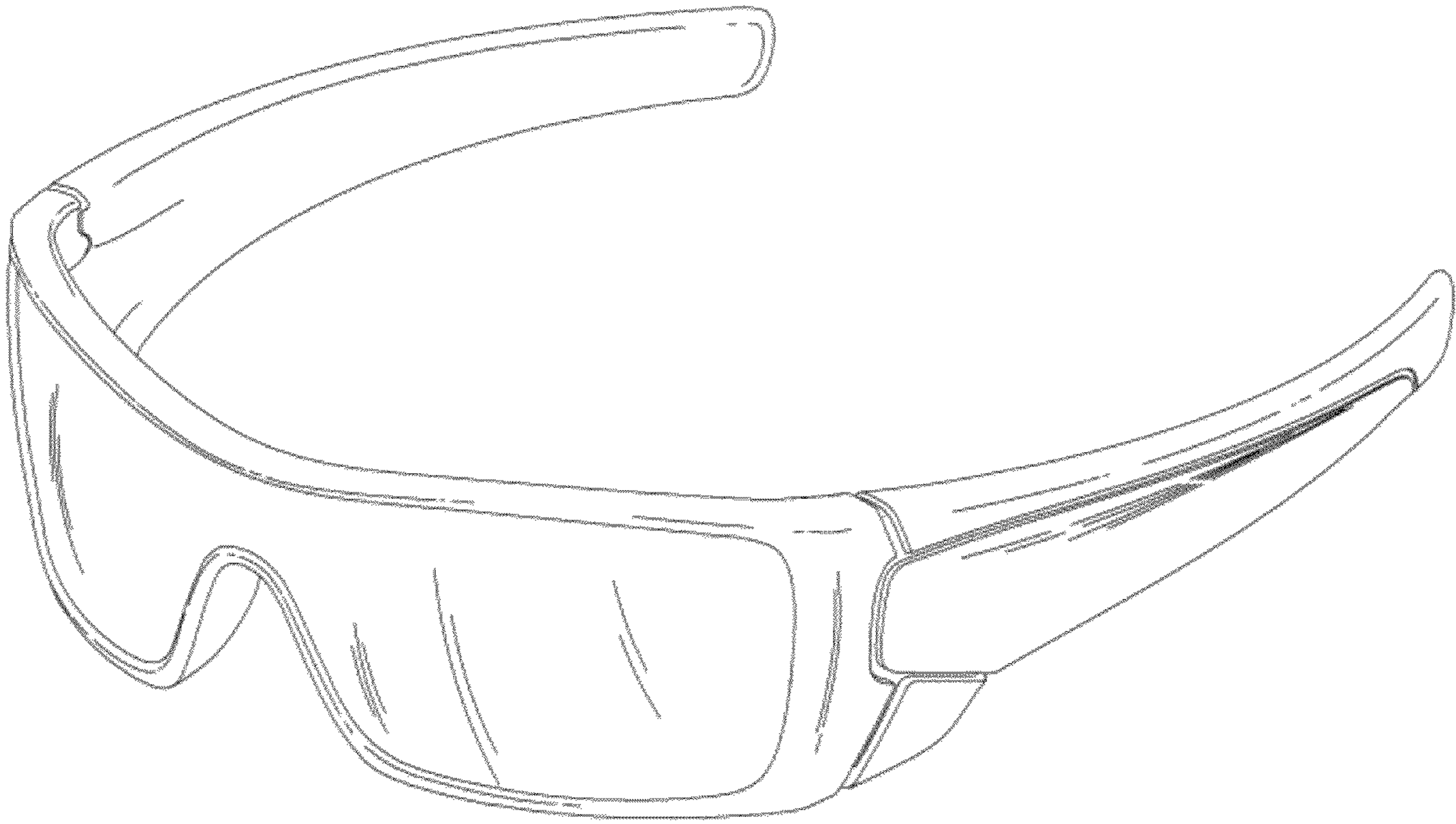


FIG. 1

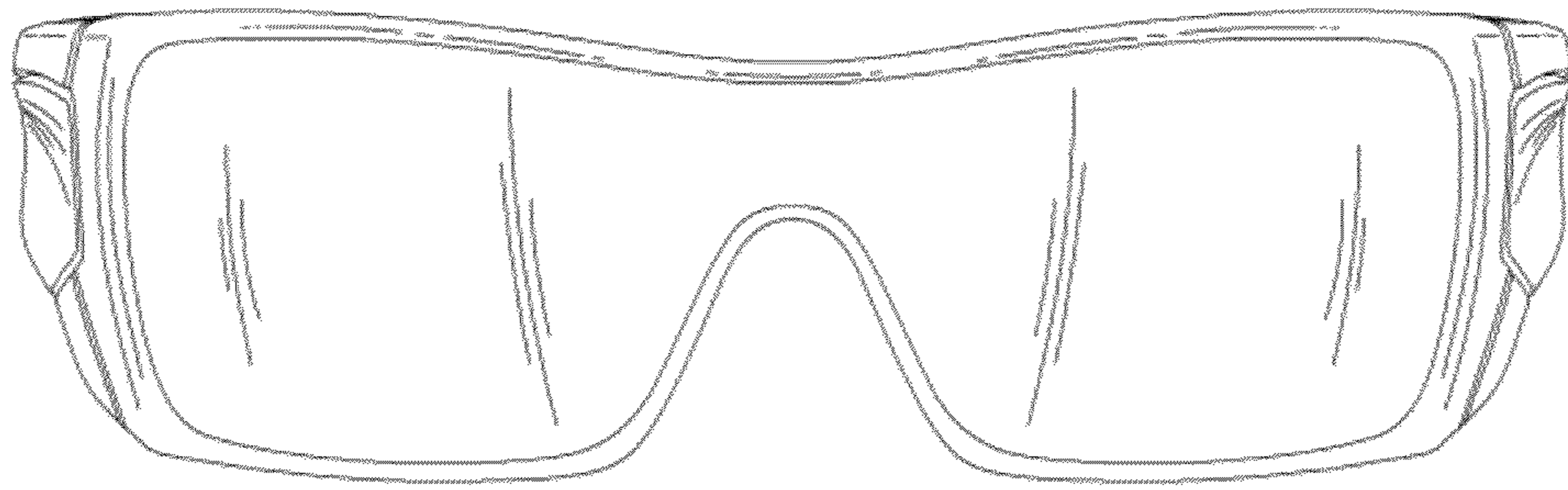


FIG. 2

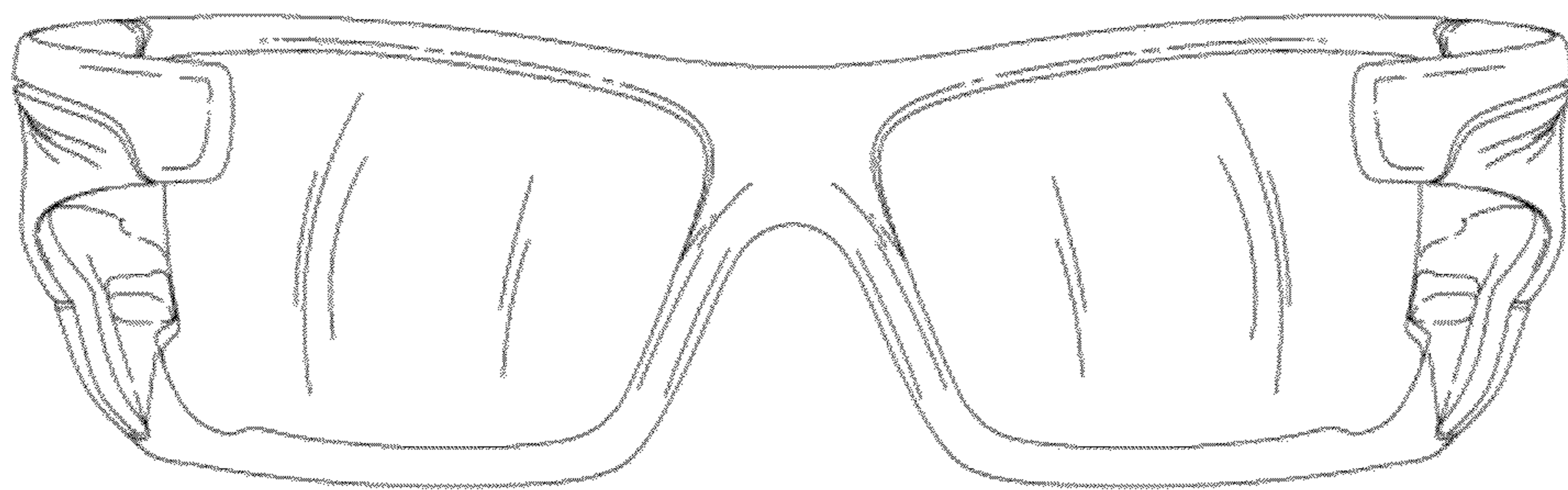


FIG. 3

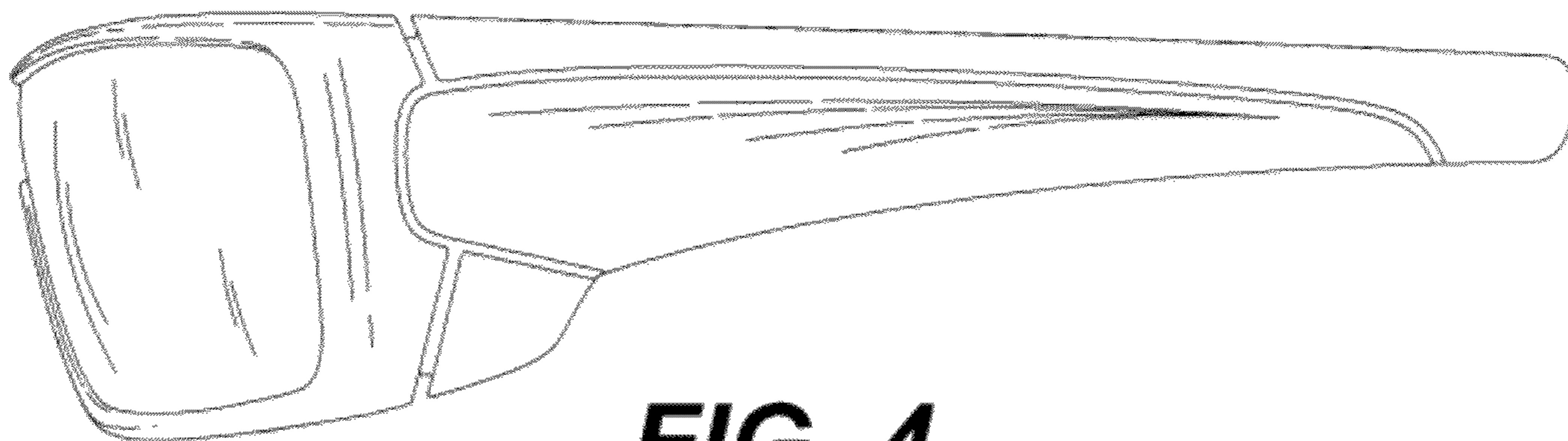
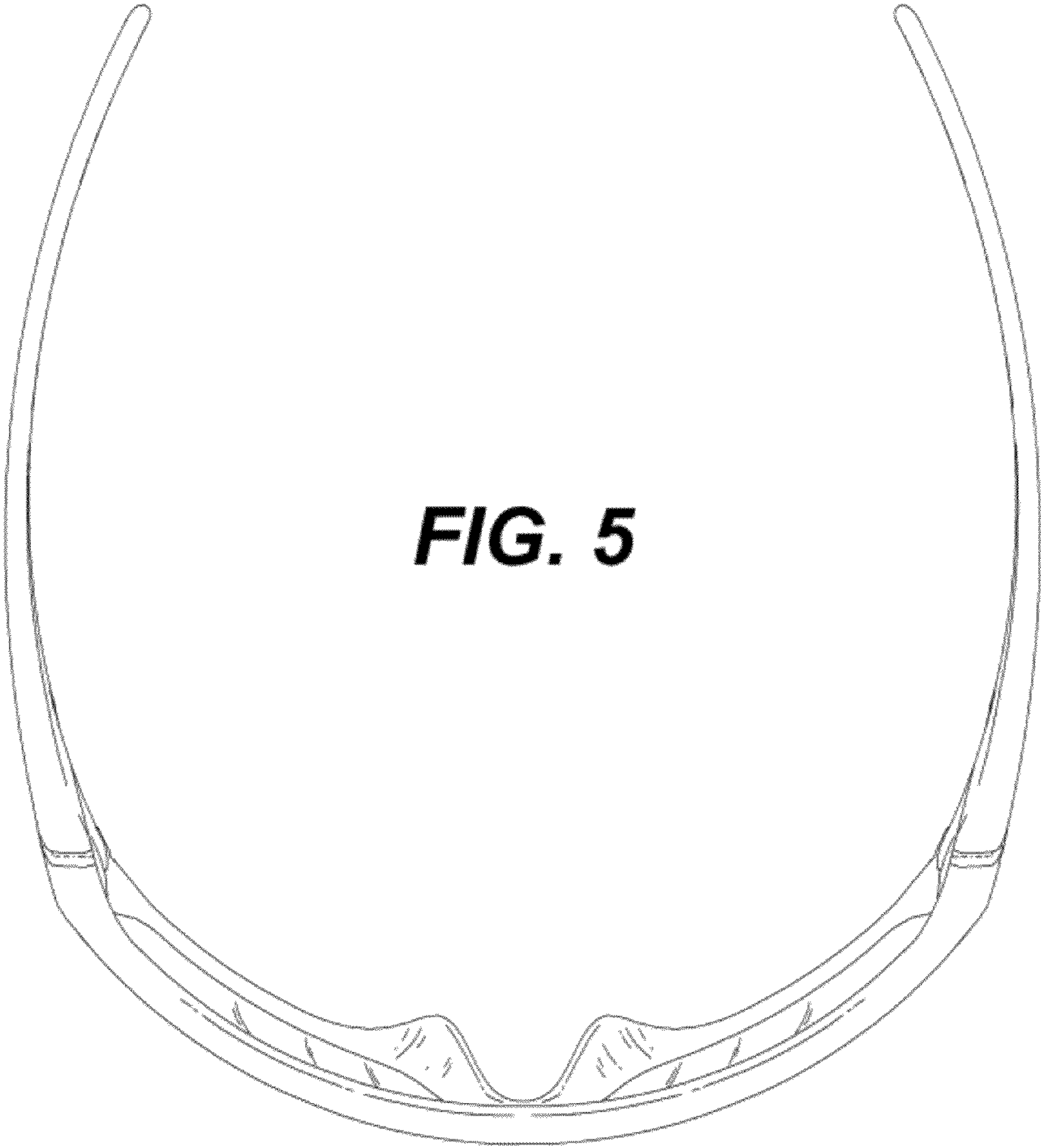


FIG. 4



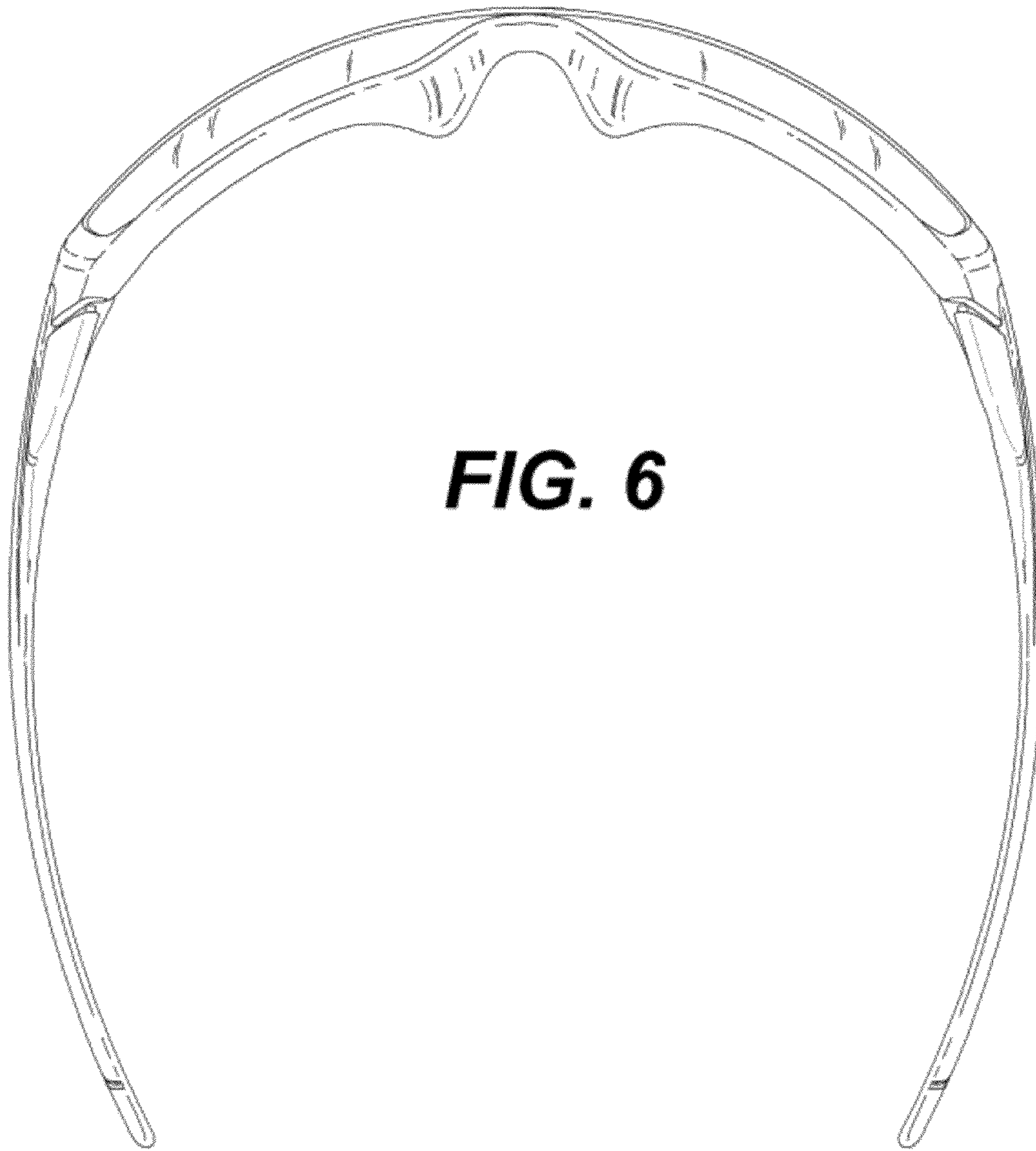


FIG. 6