



US00D659178S

(12) **United States Design Patent**
Huang et al.

(10) **Patent No.:** **US D659,178 S**

(45) **Date of Patent:** **** May 8, 2012**

(54) **CAMERA MOUNT**

(75) Inventors: **Simon Mingjen Huang**, San Gabriel,
CA (US); **Nicholas Peter deSomov**,
Encino, CA (US)

(73) Assignee: **Performance Designed Products, LLC**,
Sherman Oaks, CA (US)

(**) Term: **14 Years**

(21) Appl. No.: **29/389,331**

(22) Filed: **Apr. 8, 2011**

(51) **LOC (9) Cl.** **16-05**

(52) **U.S. Cl.** **D16/242**

(58) **Field of Classification Search** D14/447;
D16/237, 242, 243; 248/177.1, 178.1, 187.1;
352/243; 396/419, 421, 428

See application file for complete search history.

(56) **References Cited**

U.S. PATENT DOCUMENTS

D199,211 S * 9/1964 Robinson D16/243
D421,039 S * 2/2000 Delacoux D16/237
6,425,697 B1 * 7/2002 Potts et al. 352/243
D480,730 S * 10/2003 Doherty et al. D14/447

D585,897 S * 2/2009 Carnevali D14/434
D640,305 S * 6/2011 Hashiguchi D16/243
D646,315 S * 10/2011 Orf D16/242

* cited by examiner

Primary Examiner — Adir Aronovich

(74) *Attorney, Agent, or Firm* — Sheppard Mullin Richter &
Hampton LLP

(57) **CLAIM**

The ornamental design for a camera mounts, as shown and
described.

DESCRIPTION

FIG. 1 is a front perspective view of a camera mount embody-
ing our new design.

FIG. 2 is a front elevational view thereof.

FIG. 3 is rear elevational view thereof.

FIG. 4 is a bottom plan view thereof.

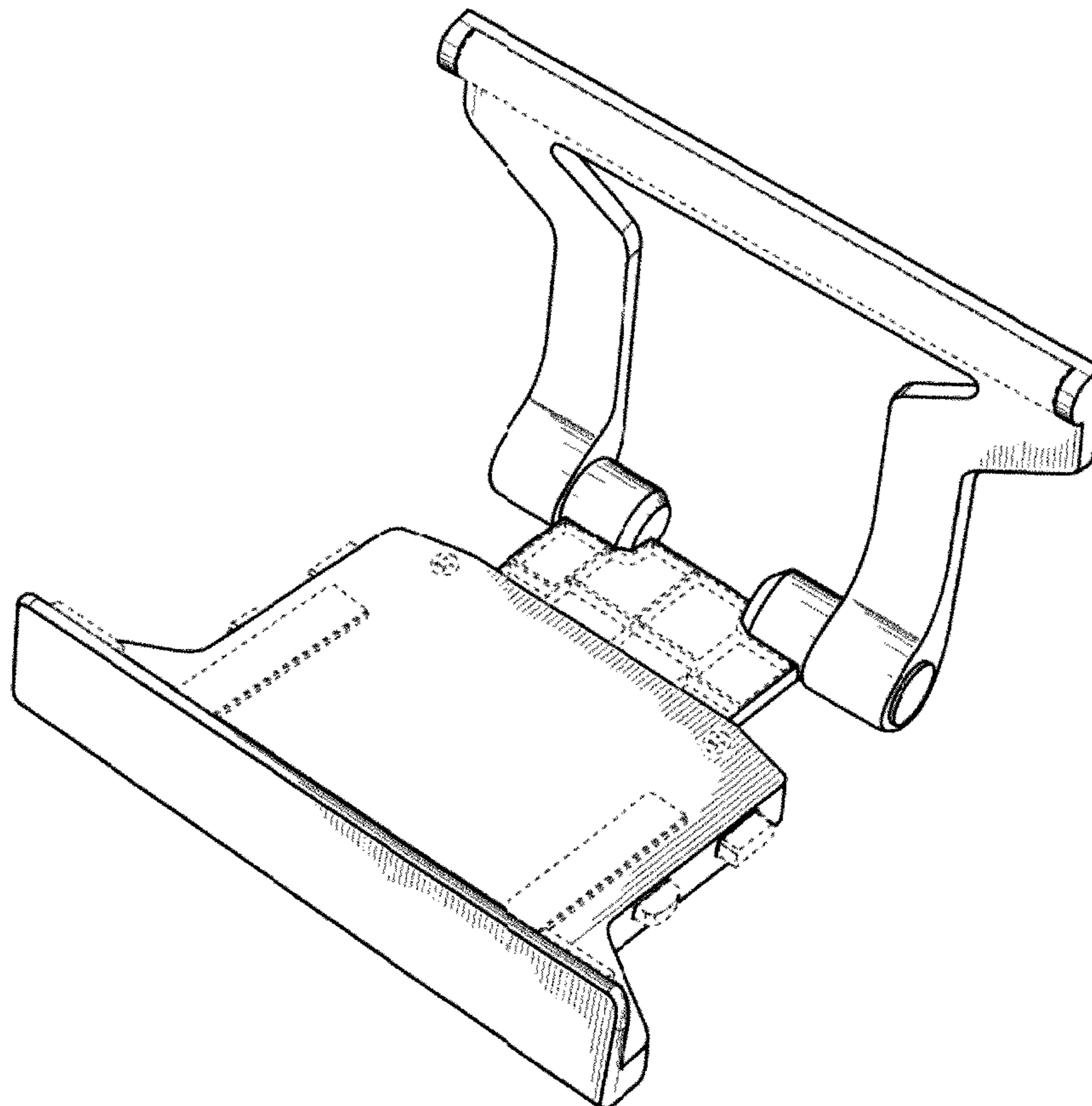
FIG. 5 is a top plan view thereof.

FIG. 6 is right side elevational view thereof; and,

FIG. 7 is a right side elevational view thereof.

The portions of the camera mount in broken lines are shown
for illustrative purposes only and form no part of the claimed
design.

1 Claim, 7 Drawing Sheets



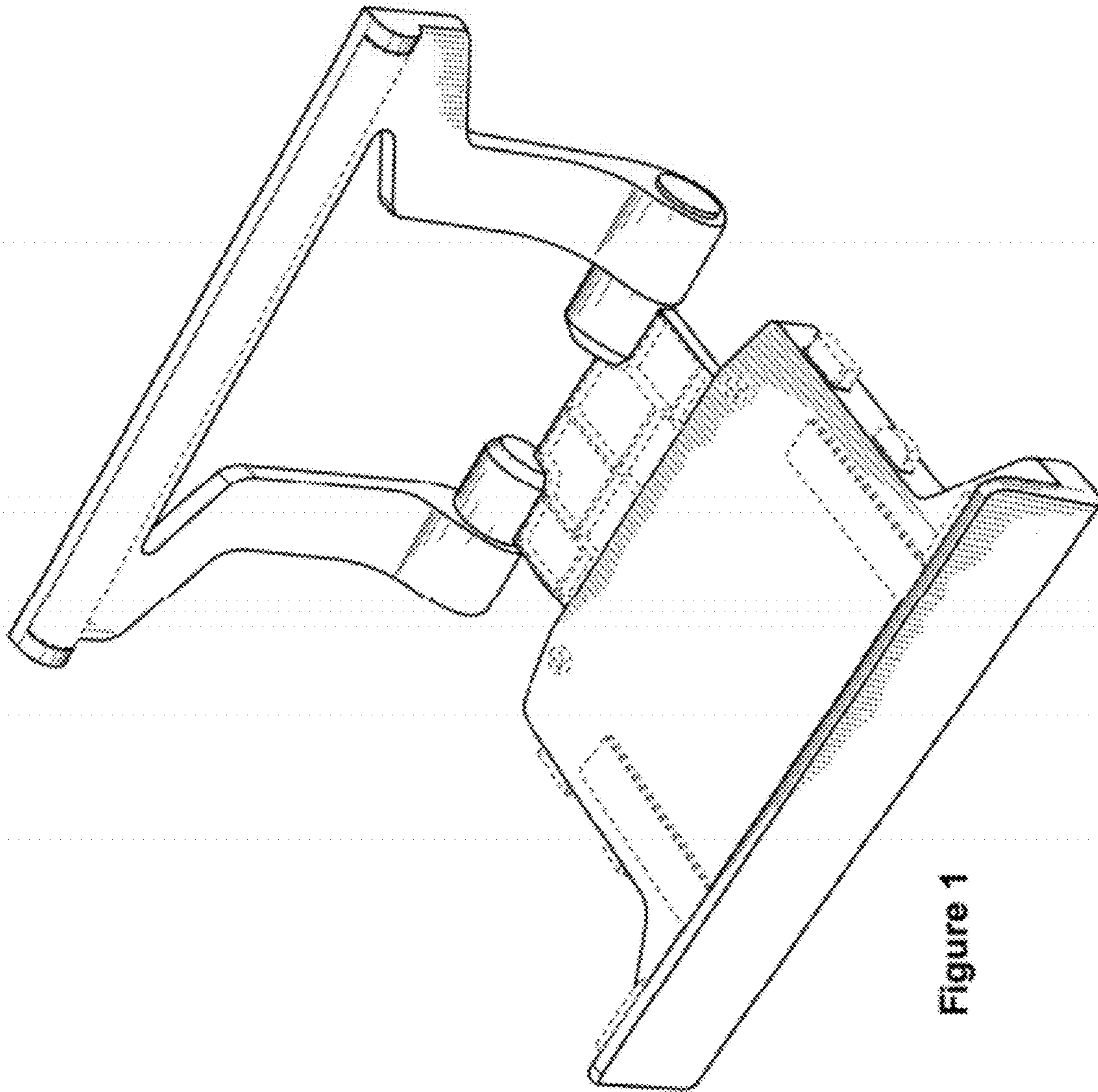


Figure 1

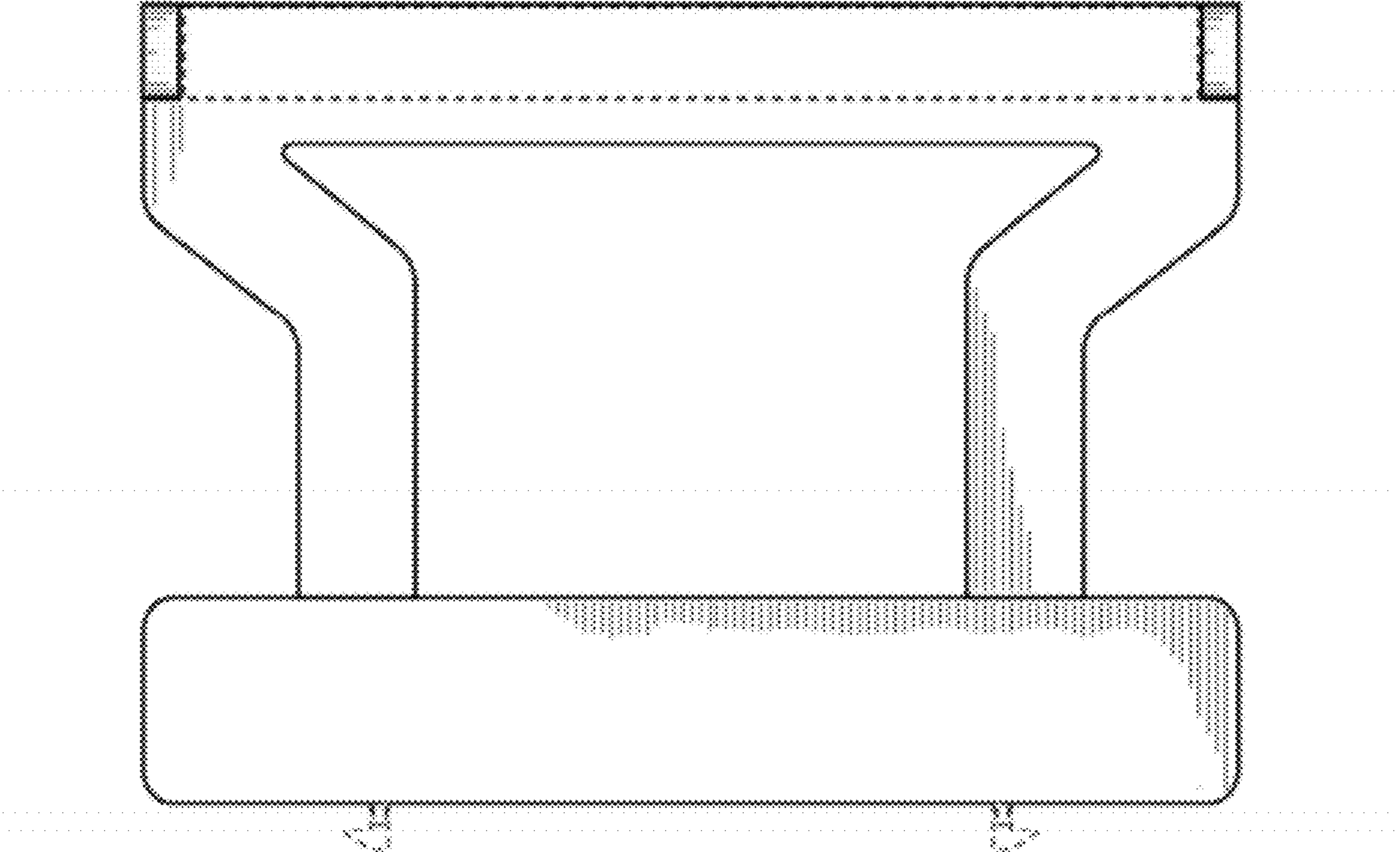


Figure 2

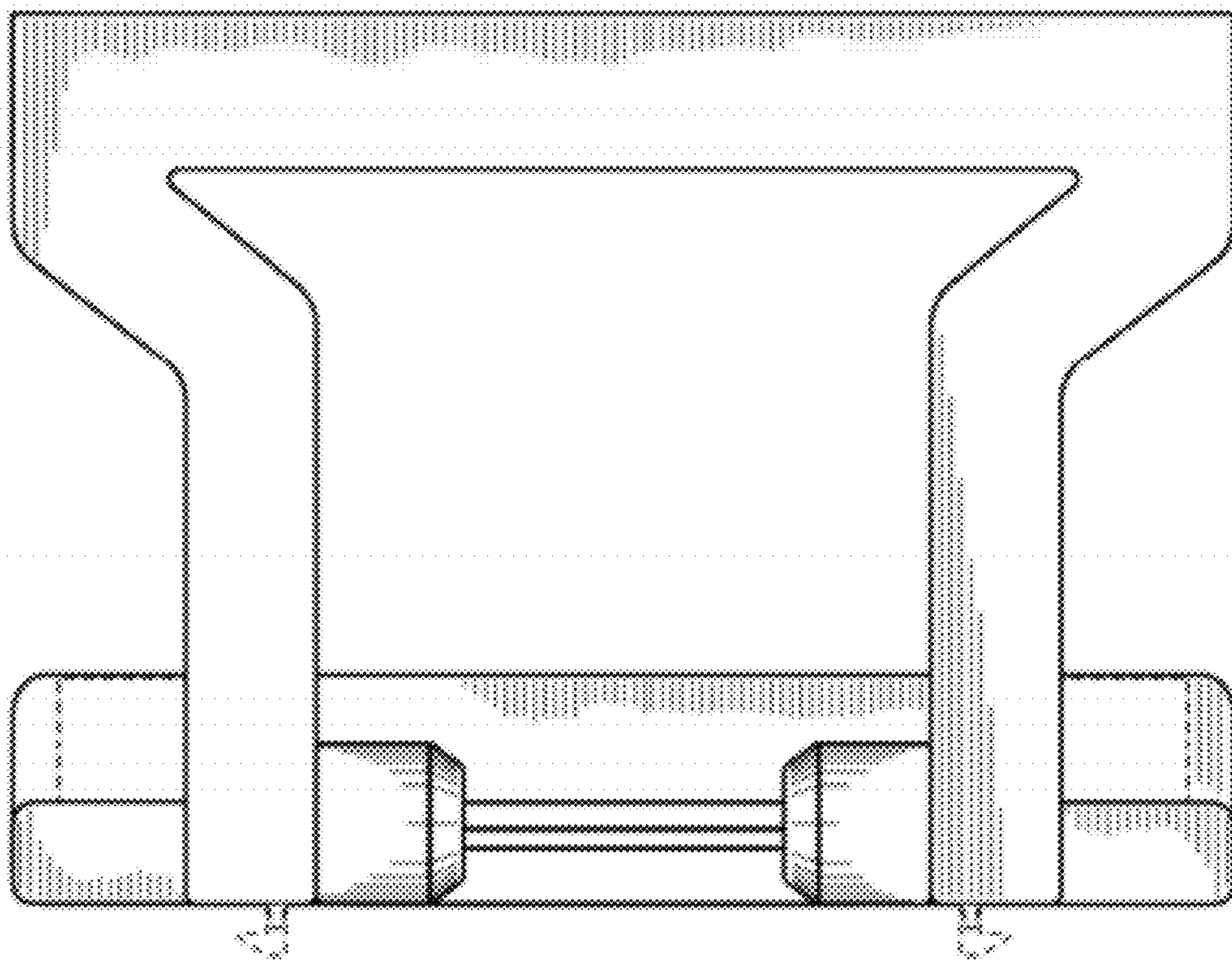


Figure 3

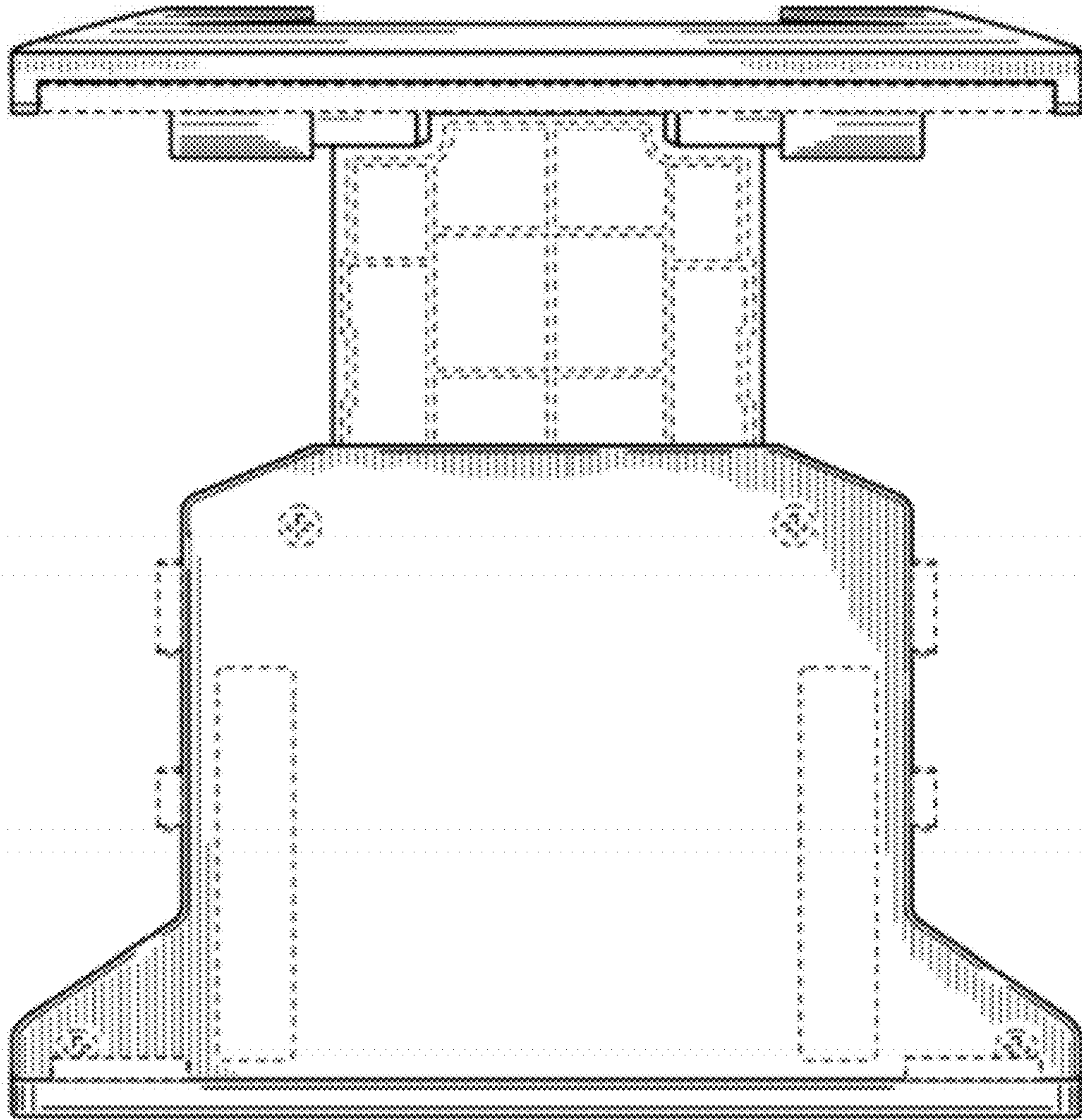


Figure 4

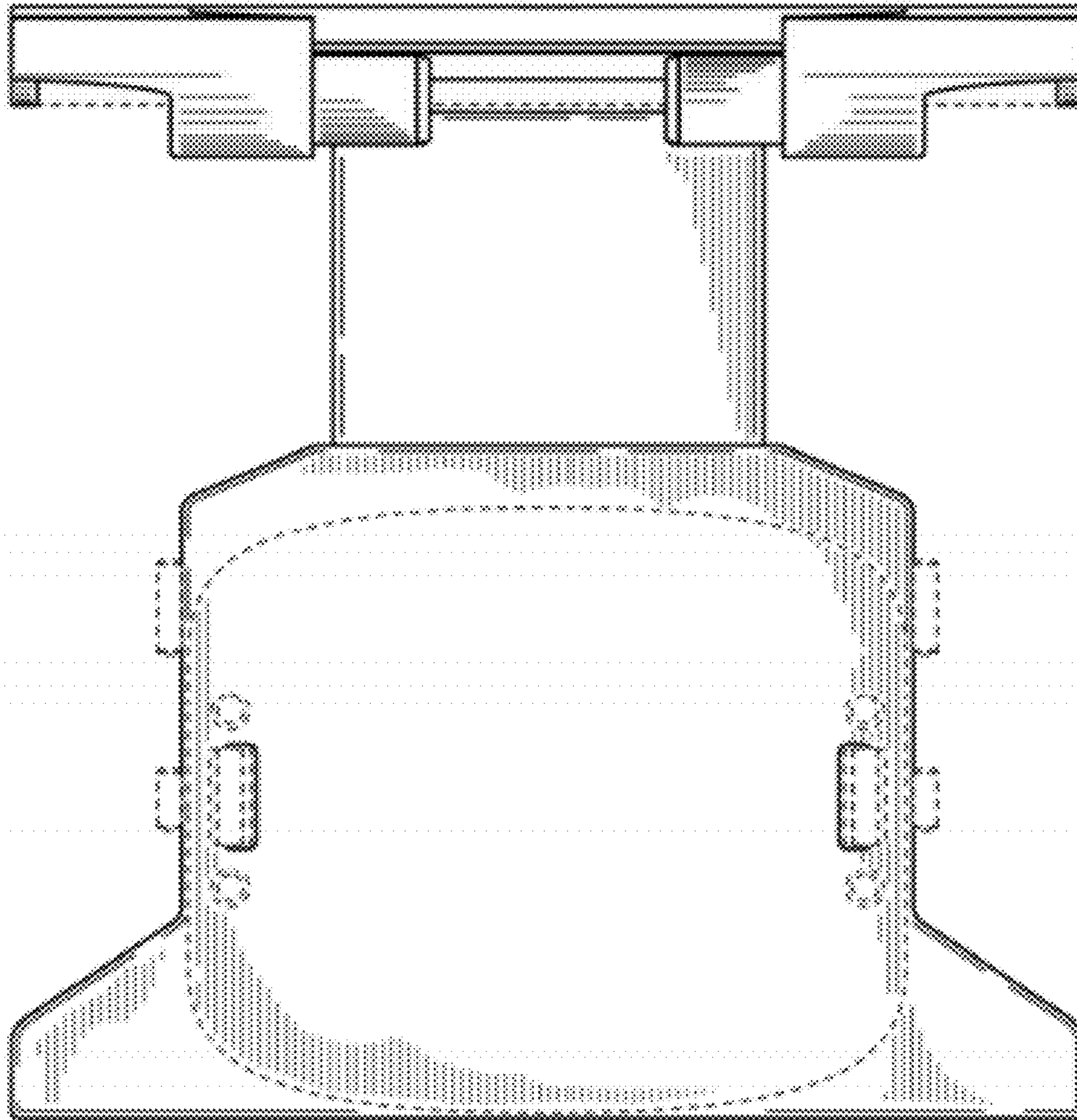


Figure 5

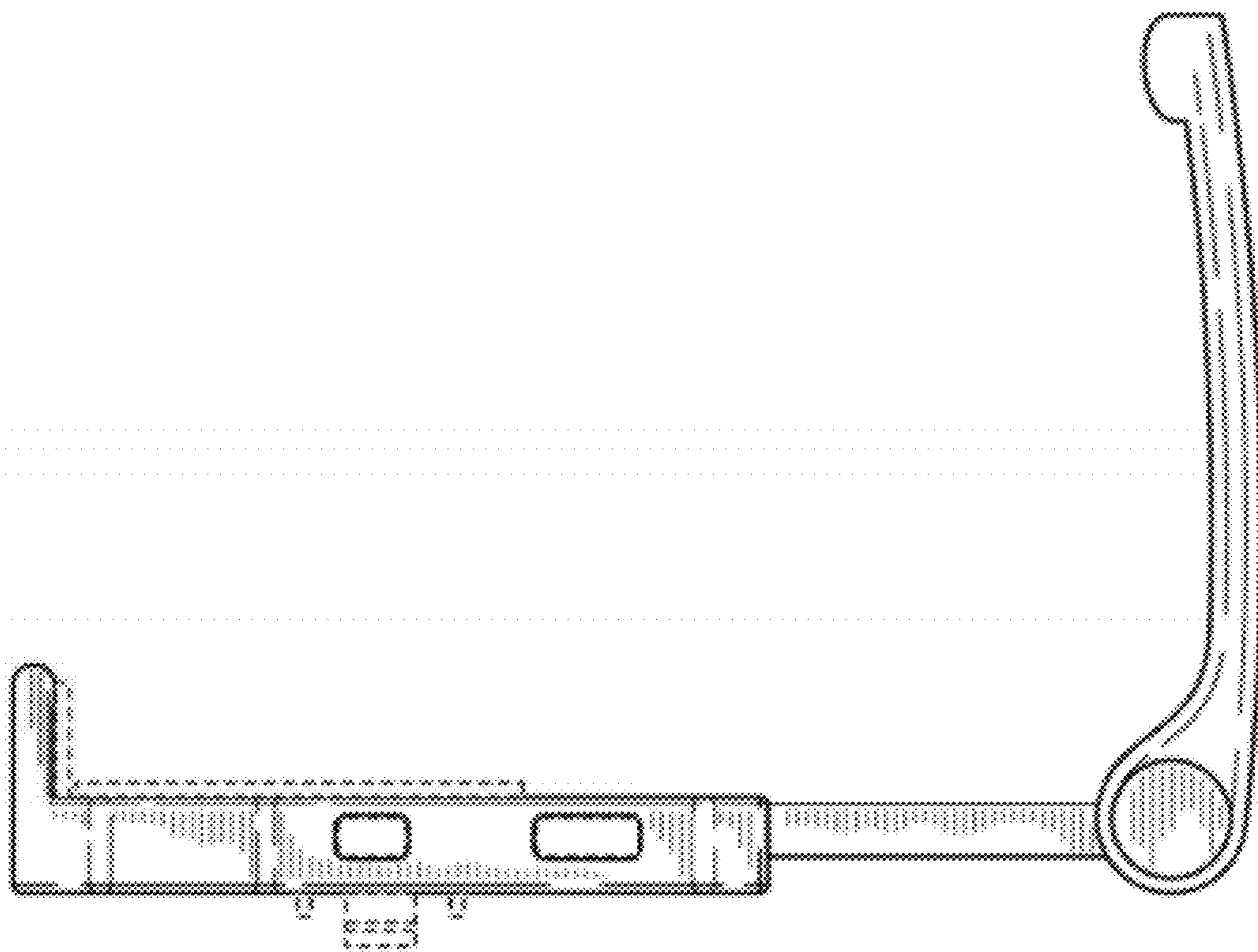


Figure 6

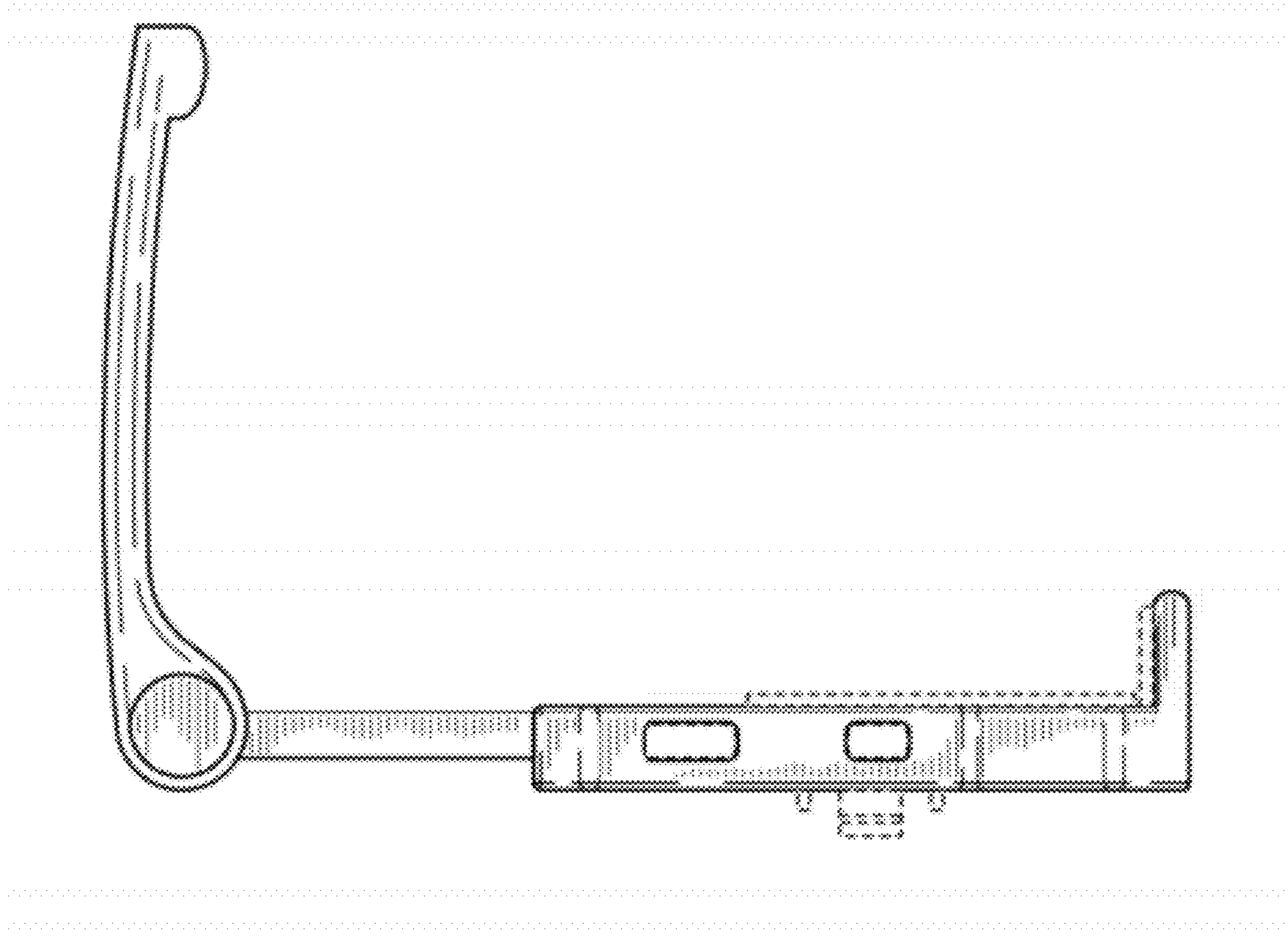


Figure 7