



US00D659177S

(12) **United States Design Patent**
Chan

(10) **Patent No.:** **US D659,177 S**

(45) **Date of Patent:** **** May 8, 2012**

(54) **DIGITAL CAMERA SUPPORT**

(76) Inventor: **Man Kit Chan**, Kowloon (HK)

(**) Term: **14 Years**

(21) Appl. No.: **29/384,120**

(22) Filed: **Jan. 26, 2011**

(51) **LOC (9) Cl.** **16-05**

(52) **U.S. Cl.** **D16/242**

(58) **Field of Classification Search** D16/242,
D16/244, 245; 248/177.1, 187.1; 352/243;
396/419, 421, 428

See application file for complete search history.

(56) **References Cited**

U.S. PATENT DOCUMENTS

3,184,196	A *	5/1965	Dent	248/187.1
6,260,971	B1 *	7/2001	Cardellini	352/243
7,202,903	B2 *	4/2007	Lin et al.	396/419
7,387,453	B2 *	6/2008	Arbuckle	348/373
D575,321	S *	8/2008	van Kuijk	D16/235
D607,038	S *	12/2009	Carlesso	D16/245
7,985,030	B1 *	7/2011	Chou	248/187.1

* cited by examiner

Primary Examiner — Adir Aronovich

(74) *Attorney, Agent, or Firm* — Howard C. Miskin; Gloria Tsui-Yip

(57) **CLAIM**

The ornamental design for a digital camera support, as shown and described.

DESCRIPTION

FIG. 1 is a top plan view of a digital camera support showing my new design;

FIG. 2 is a bottom plan view thereof;

FIG. 3 is a side elevational view thereof;

FIG. 4 is an opposite side elevational view of that shown in FIG. 3;

FIG. 5 is front elevational view thereof;

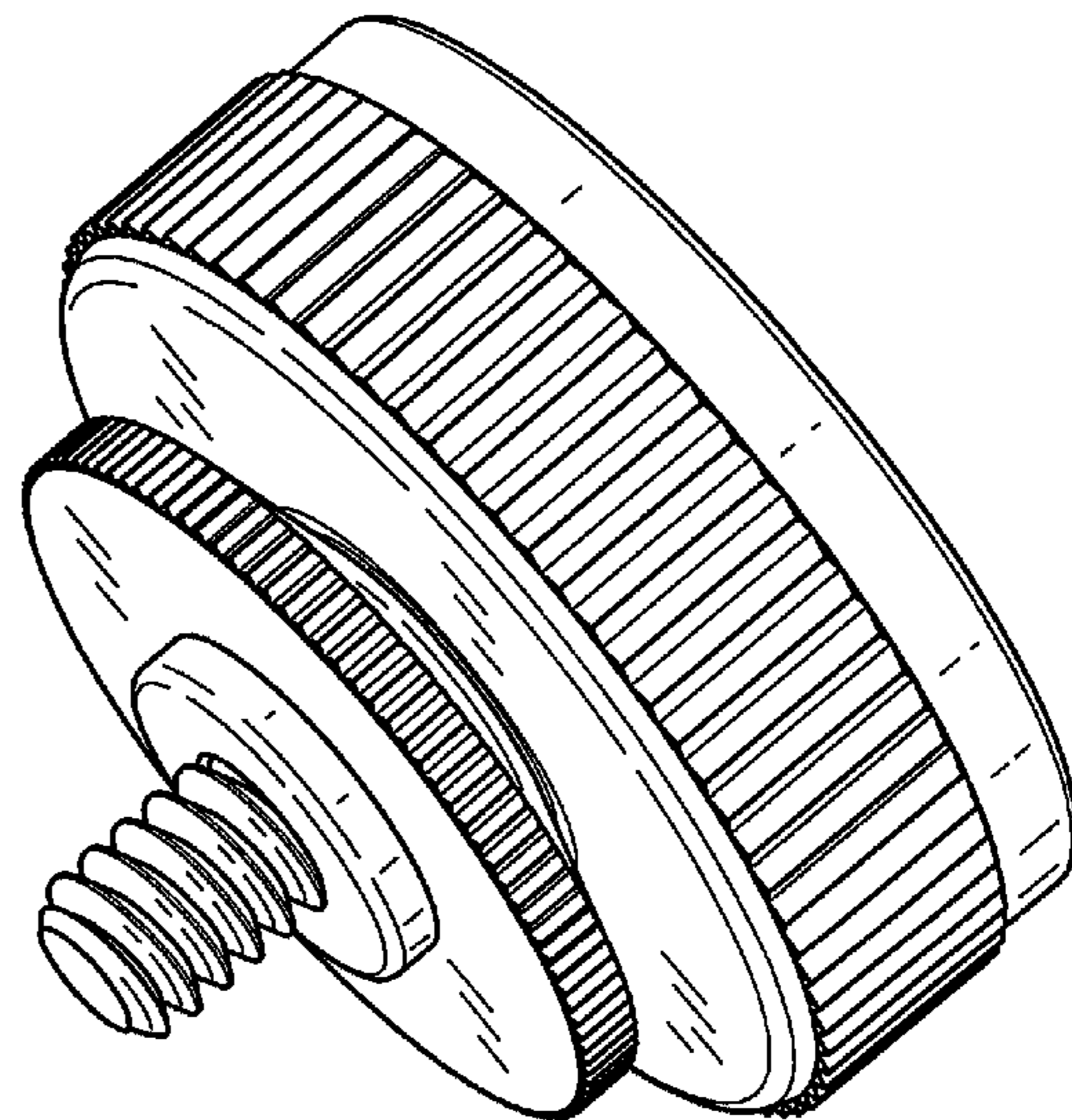
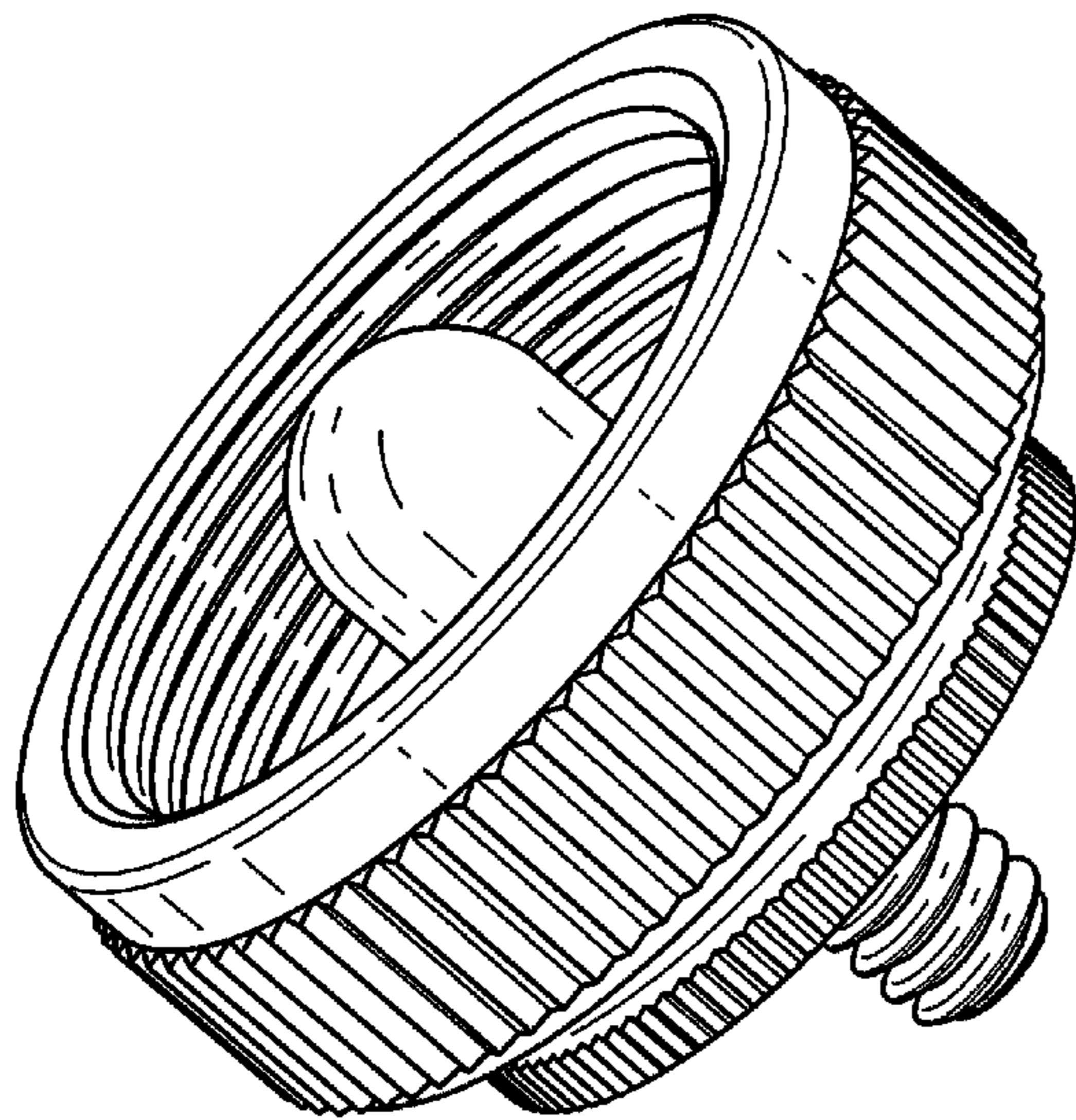
FIG. 6 is rear elevational view thereof;

FIG. 7 is a bottom perspective view thereof;

FIG. 8 is a top perspective view thereof; and,

FIG. 9 is an alternative top perspective view thereof.

1 Claim, 5 Drawing Sheets



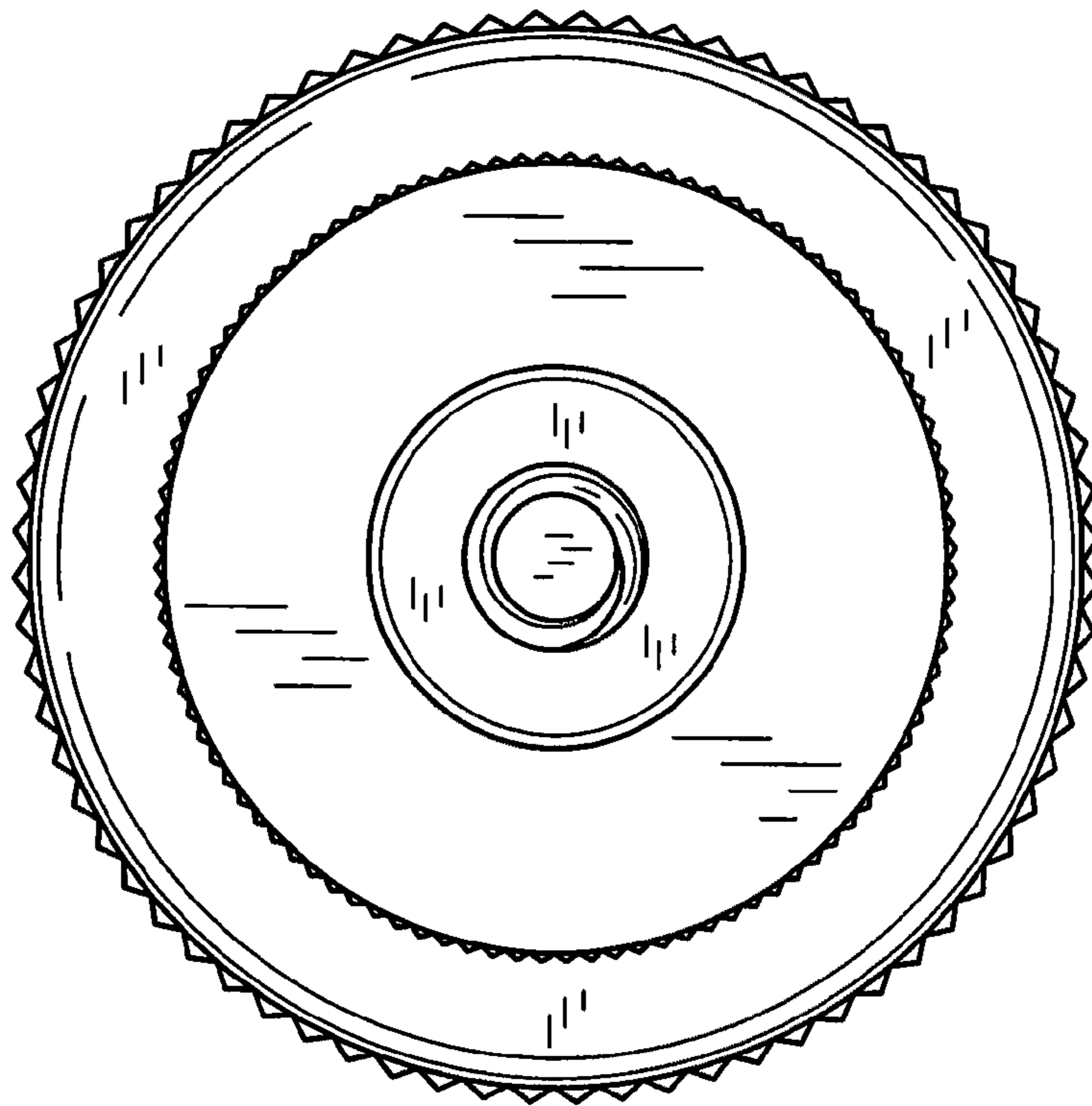


Fig.1

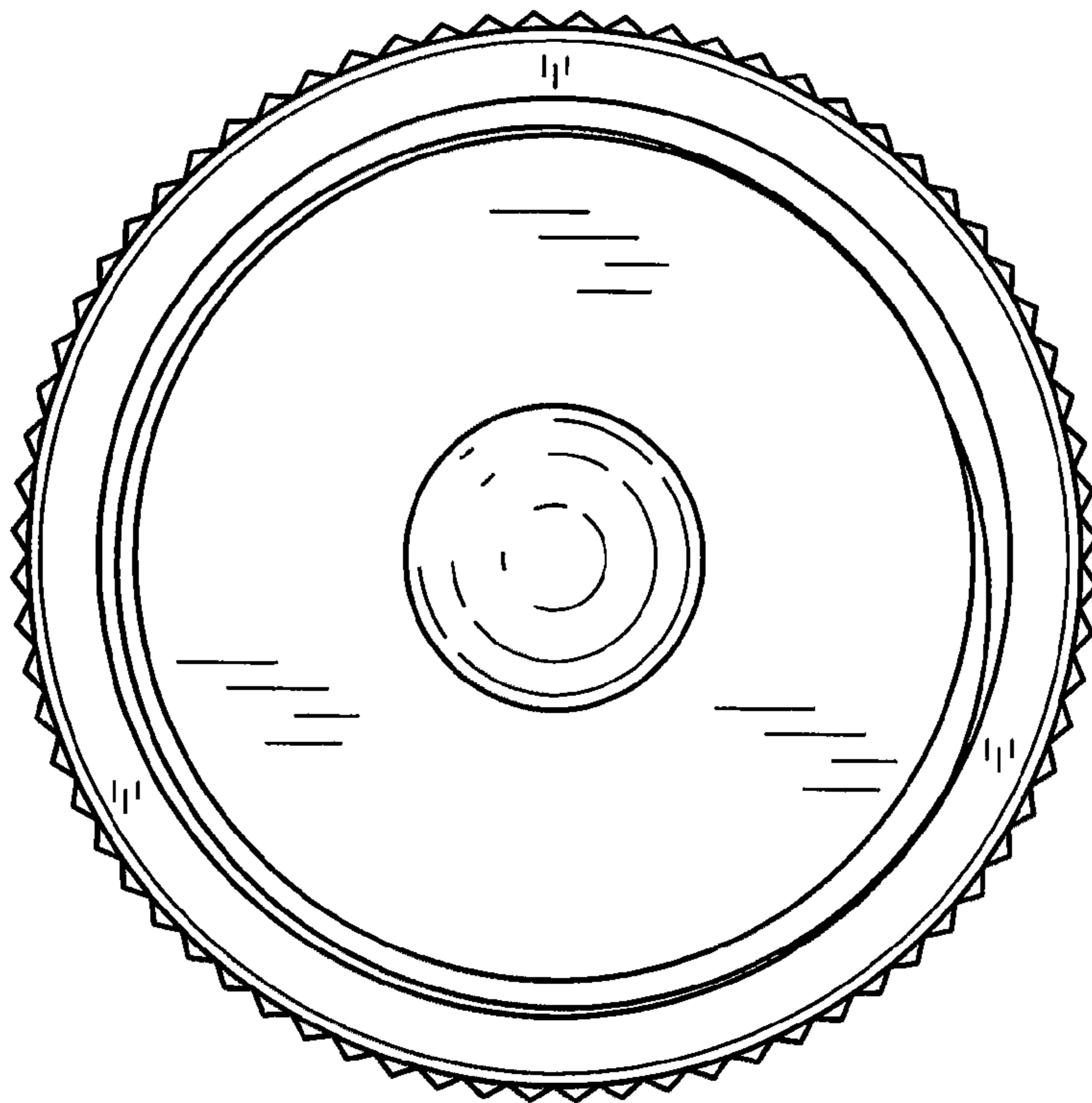


Fig.2

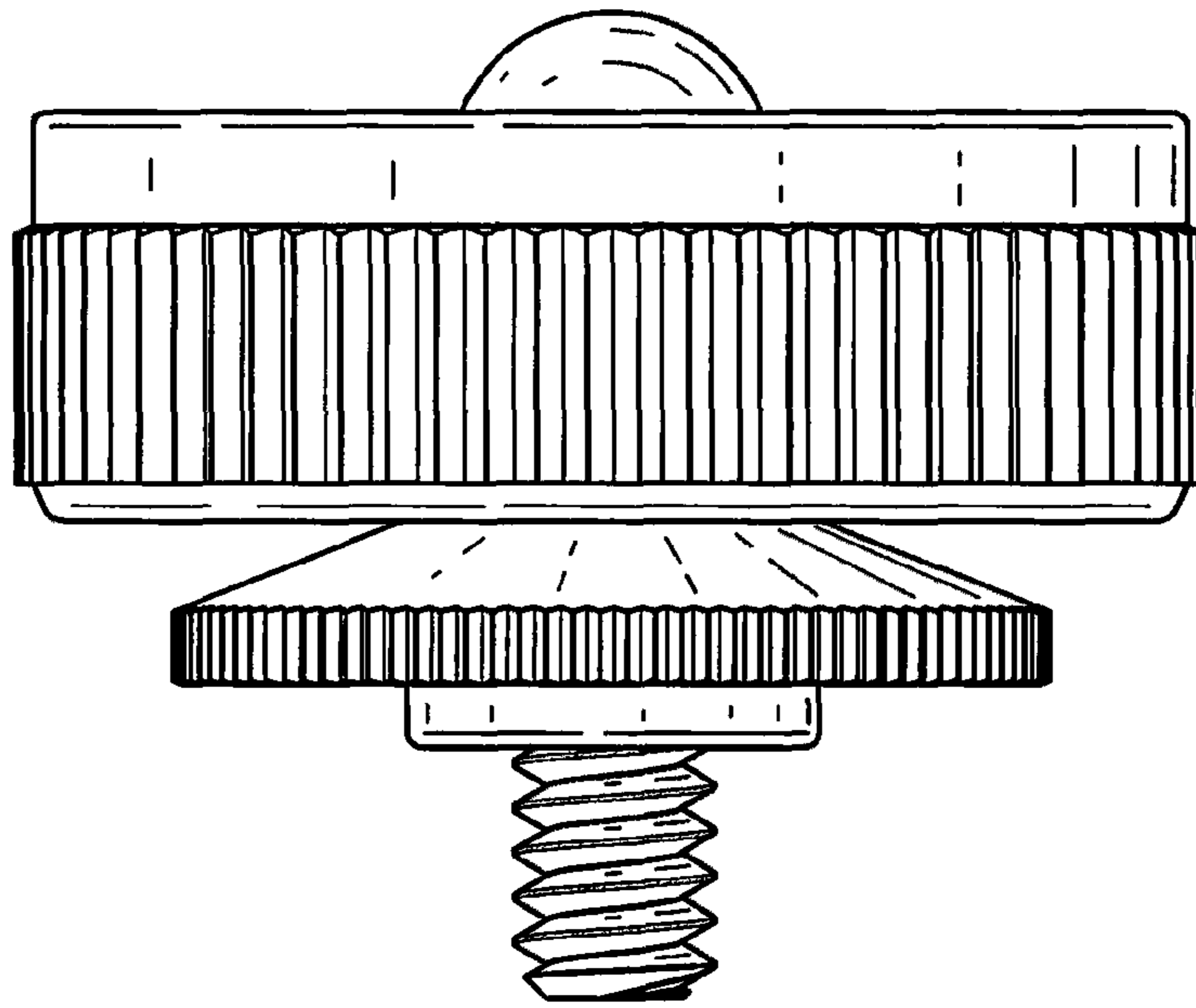


Fig.4

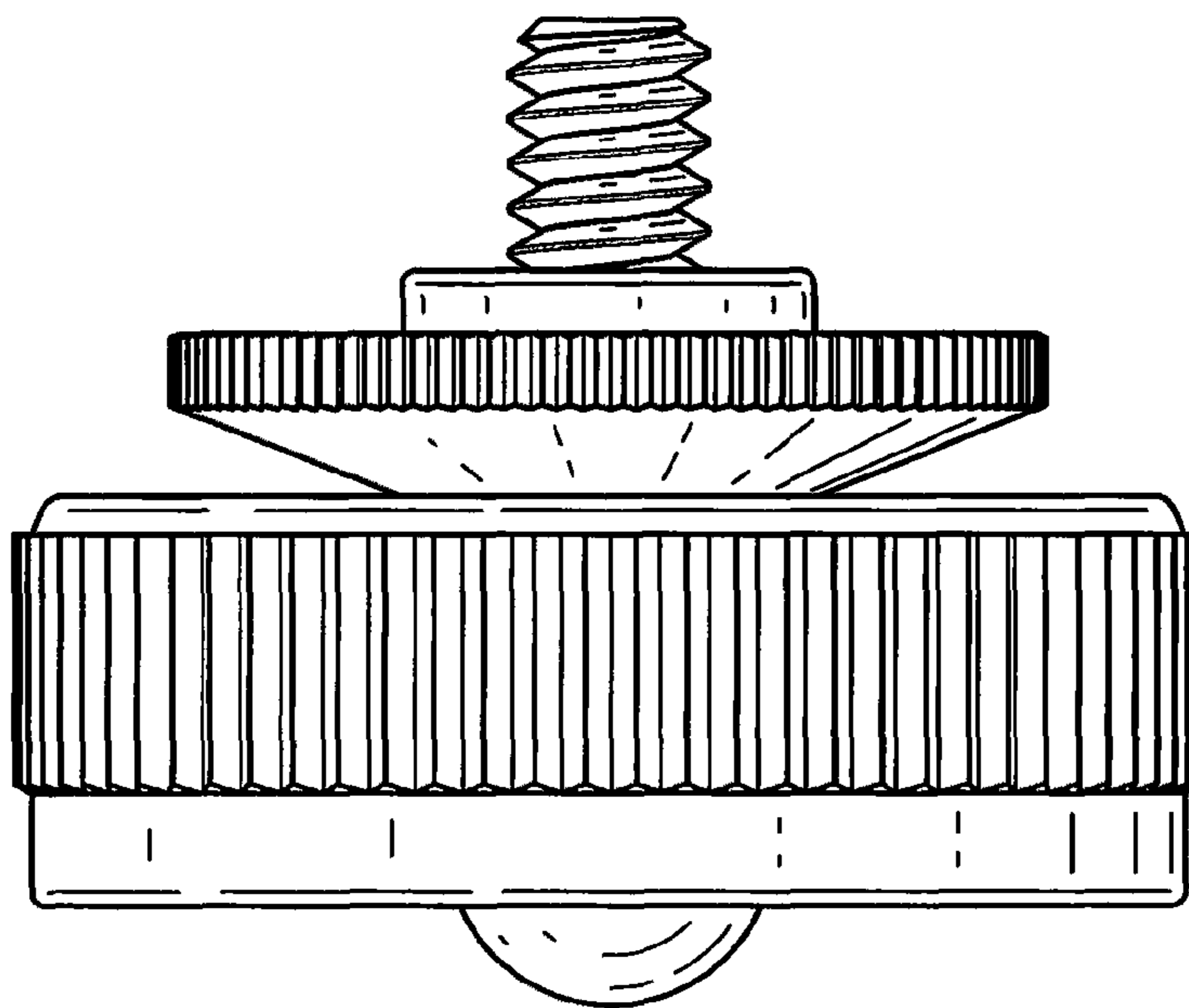


Fig.3

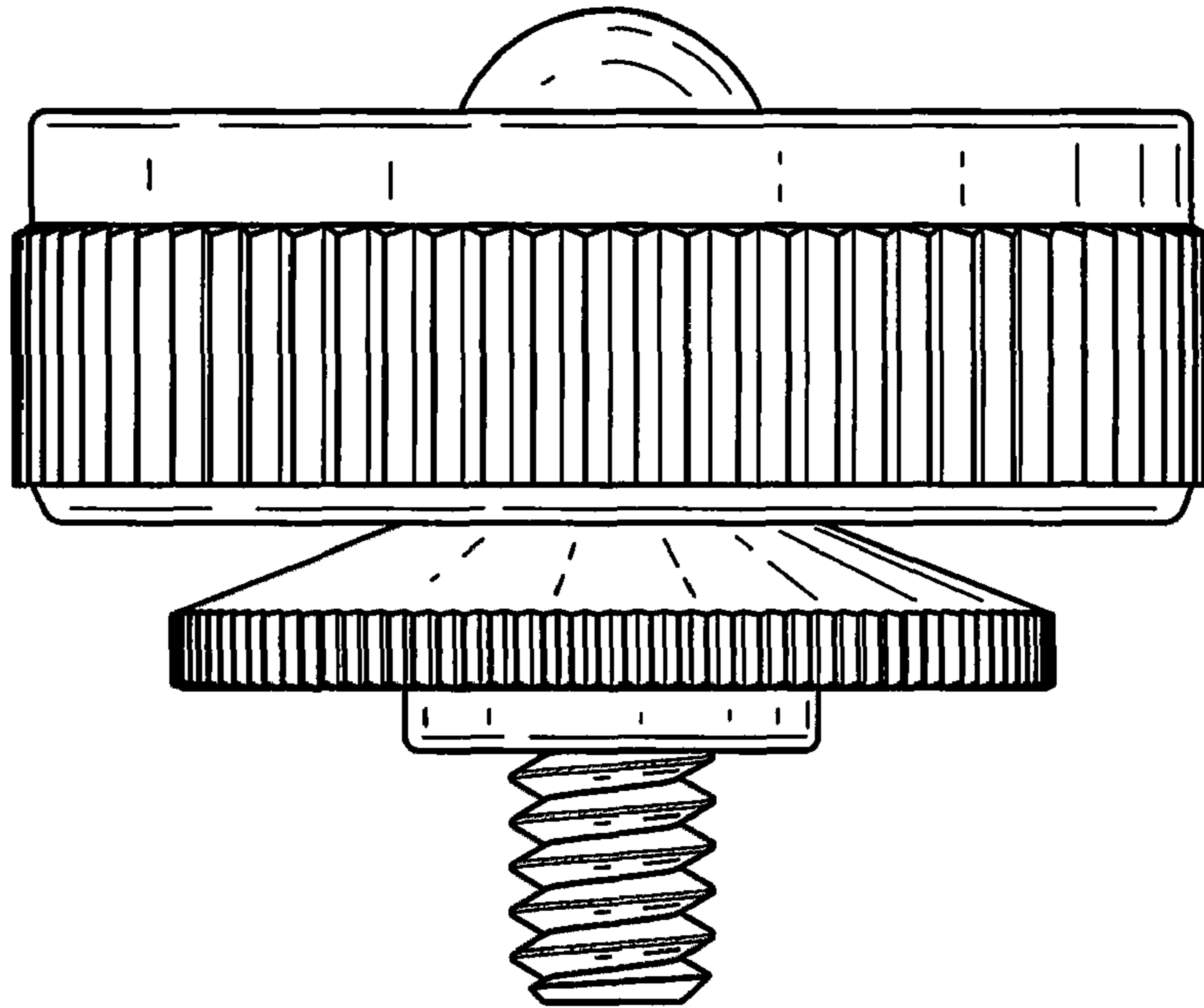


Fig.5

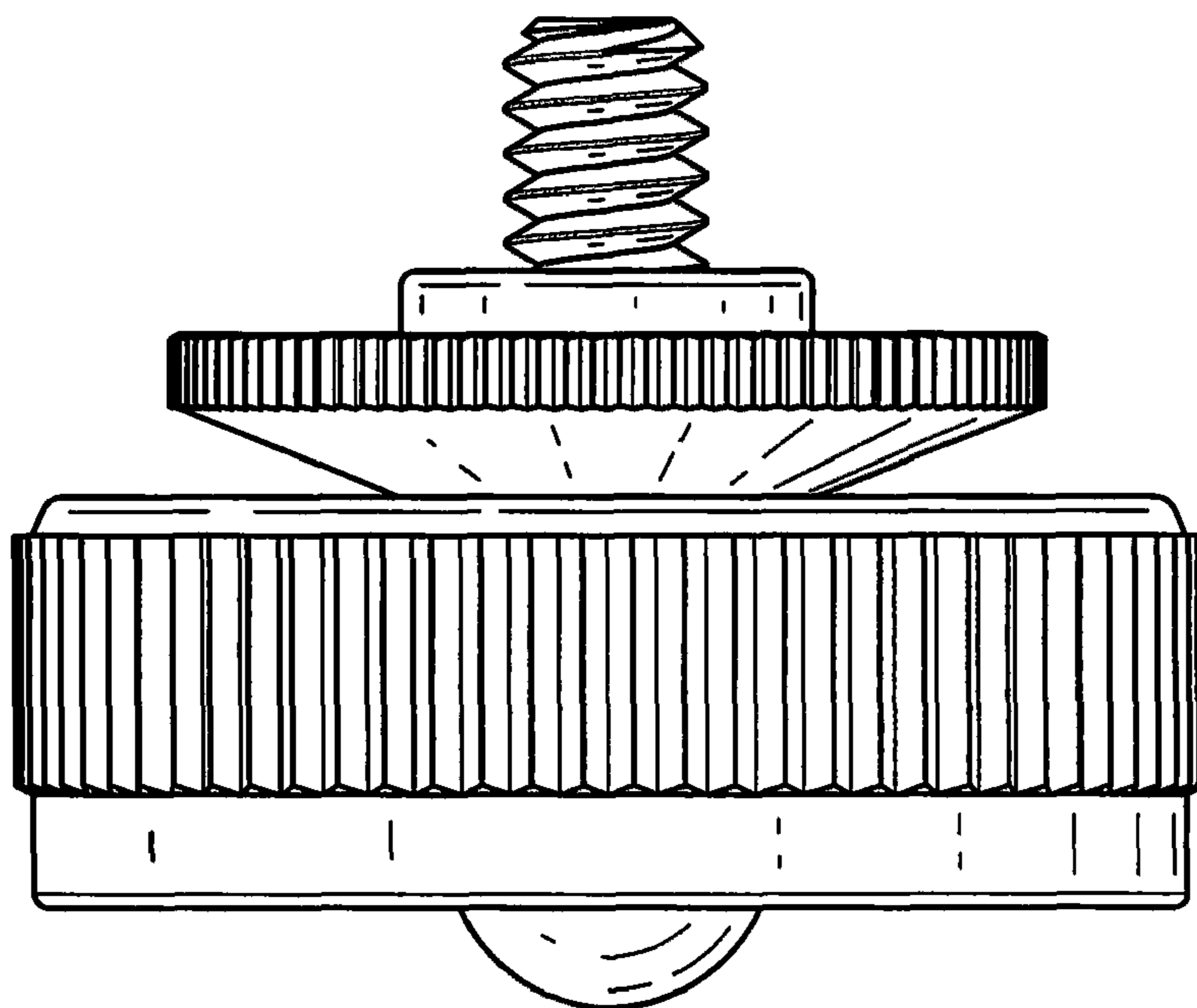


Fig.6

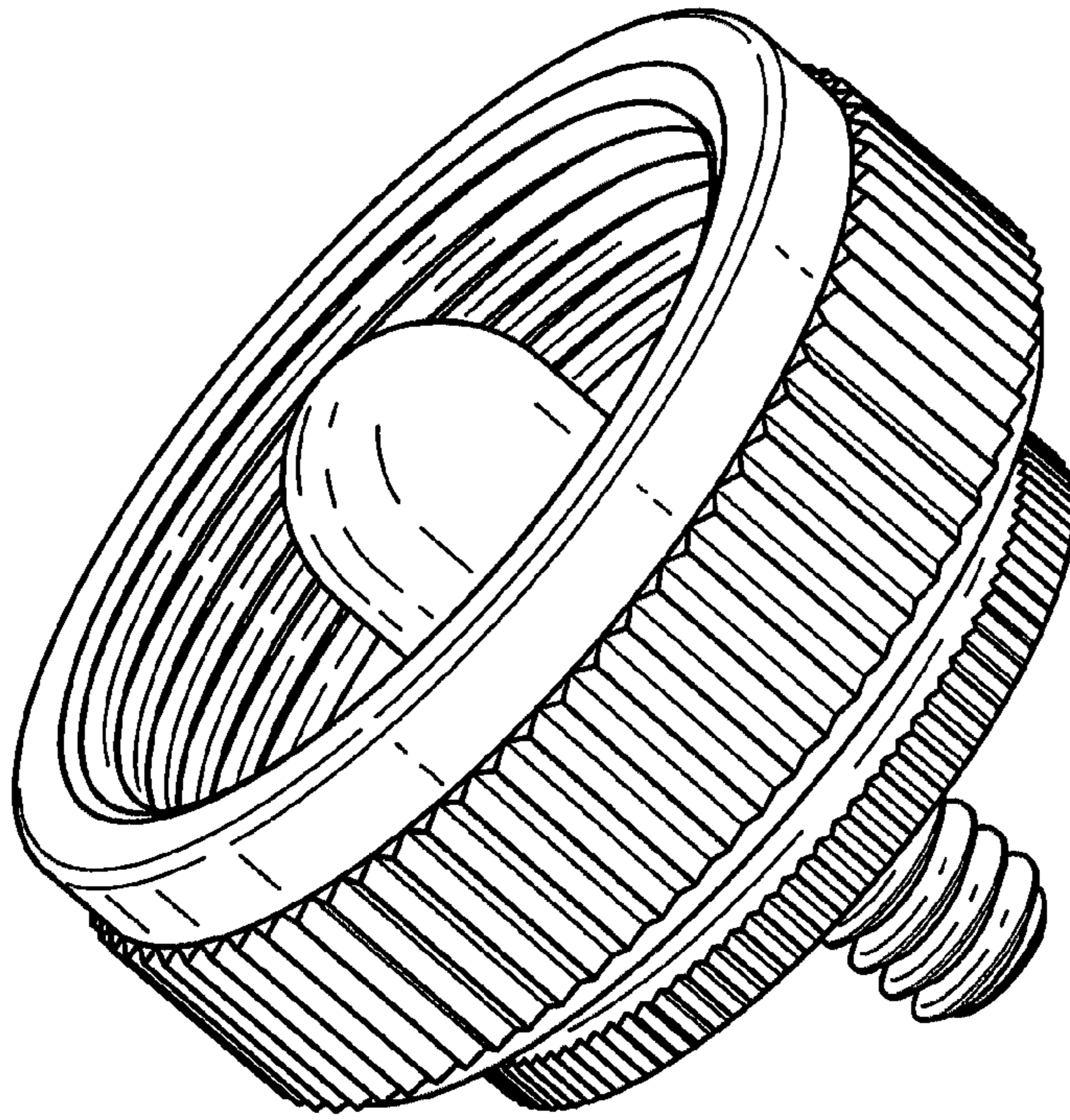


Fig.7

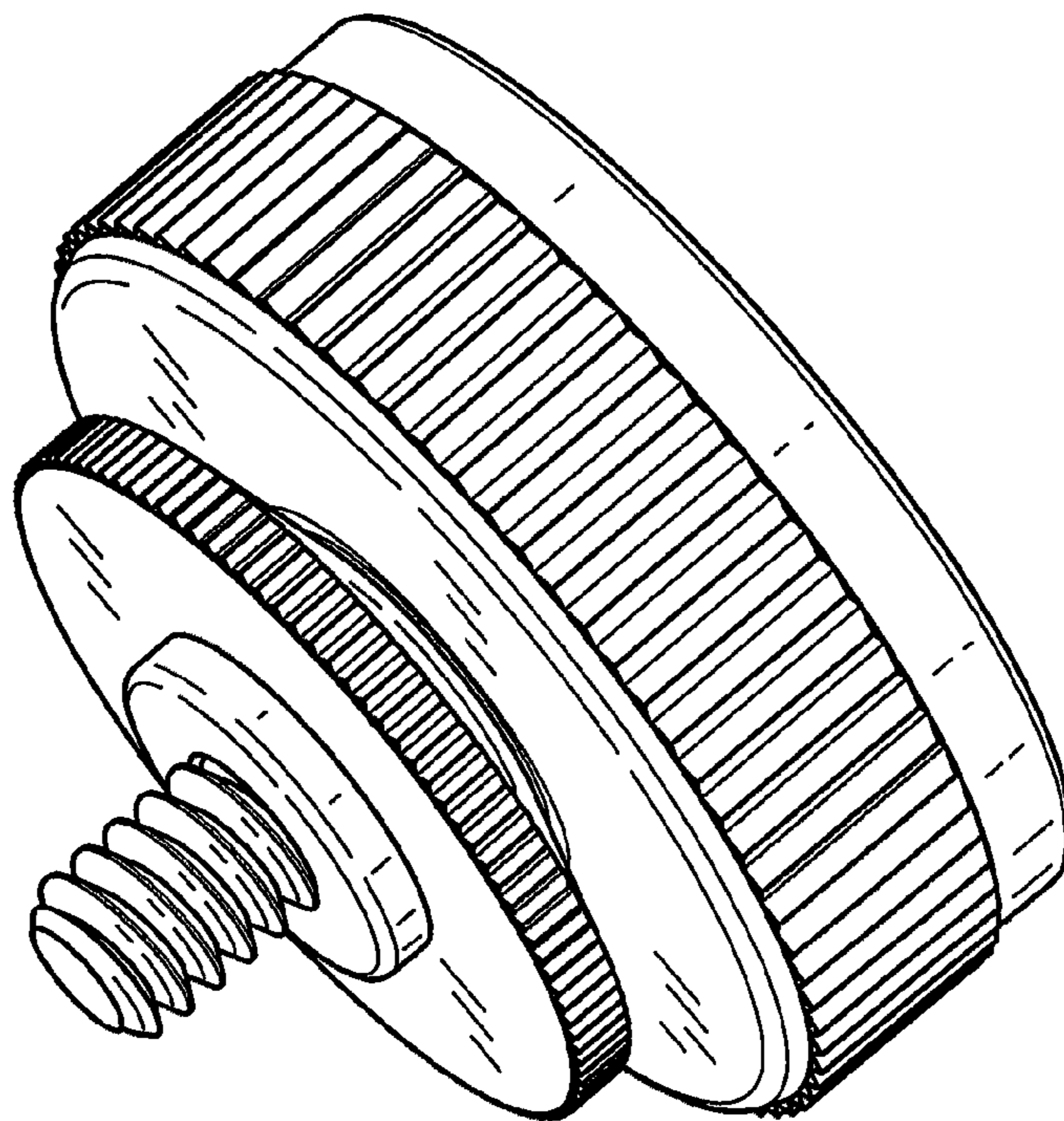


Fig.8

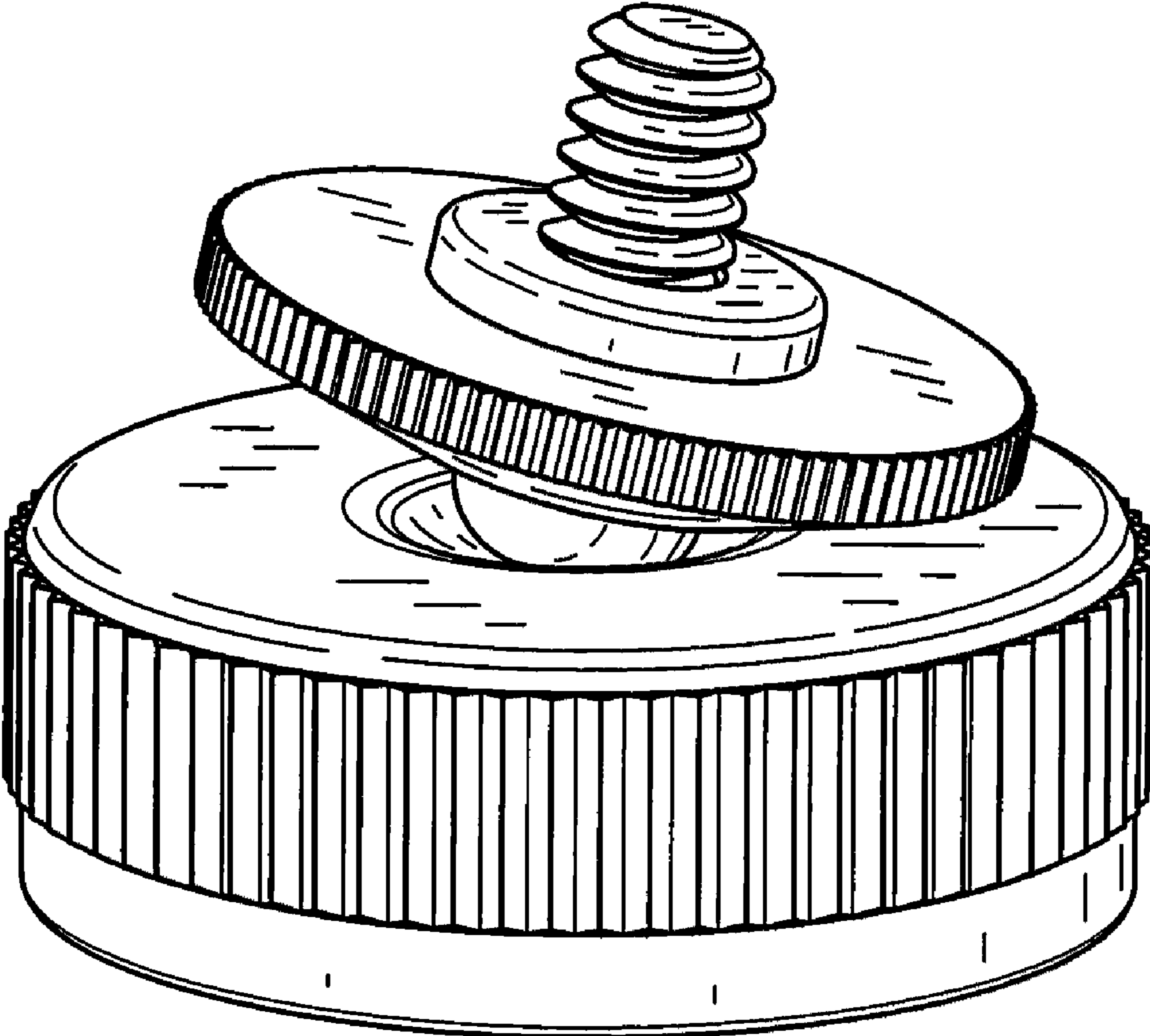


Fig.9