



US00D659175S

(12) **United States Design Patent**
Fujikata et al.

(10) **Patent No.:** **US D659,175 S**
(45) **Date of Patent:** **** May 8, 2012**

- (54) **SEALING RING**
- (75) Inventors: **Jumpei Fujikata**, Tokyo (JP); **Yuji Araki**, Tokyo (JP); **Masaaki Kimura**, Tokyo (JP)
- (73) Assignee: **Ebara Corporation**, Tokyo (JP)
- (**) Term: **14 Years**
- (21) Appl. No.: **29/402,259**
- (22) Filed: **Sep. 22, 2011**

5,921,366 A	7/1999	Walth et al.
5,997,005 A	12/1999	Gold et al.
6,123,338 A	9/2000	Edelmann et al.
6,213,273 B1	4/2001	Menard et al.
D447,223 S	8/2001	Mattsson et al.
D449,621 S	10/2001	Hamlin
D498,826 S	11/2004	Takahiro et al.
D519,535 S	4/2006	Olsson et al.
D568,350 S	5/2008	Tembreull et al.
D631,948 S	2/2011	Yoshida et al.
D638,522 S	5/2011	Yoshida et al.
D638,523 S	5/2011	Yoshida et al.
D649,986 S *	12/2011	Fujikata et al. D15/138
2003/0062689 A1	4/2003	Olsson et al.

Related U.S. Application Data

- (62) Division of application No. 29/368,047, filed on Aug. 17, 2010, now Pat. No. Des. 649,986.
- (51) **LOC (9) Cl.** **15-09**
- (52) **U.S. Cl.** **D15/138; D15/143**
- (58) **Field of Classification Search** D15/138, D15/139, 143; D23/262, 269; 277/351-359, 277/504, 563, 572; 384/484-488
See application file for complete search history.

FOREIGN PATENT DOCUMENTS

JP 1362608 6/2009
* cited by examiner

Primary Examiner — Patricia Palasik
(74) *Attorney, Agent, or Firm* — Sughrue Mion, PLLC

(57) **CLAIM**

The ornamental design for a sealing ring, as shown and described.

DESCRIPTION

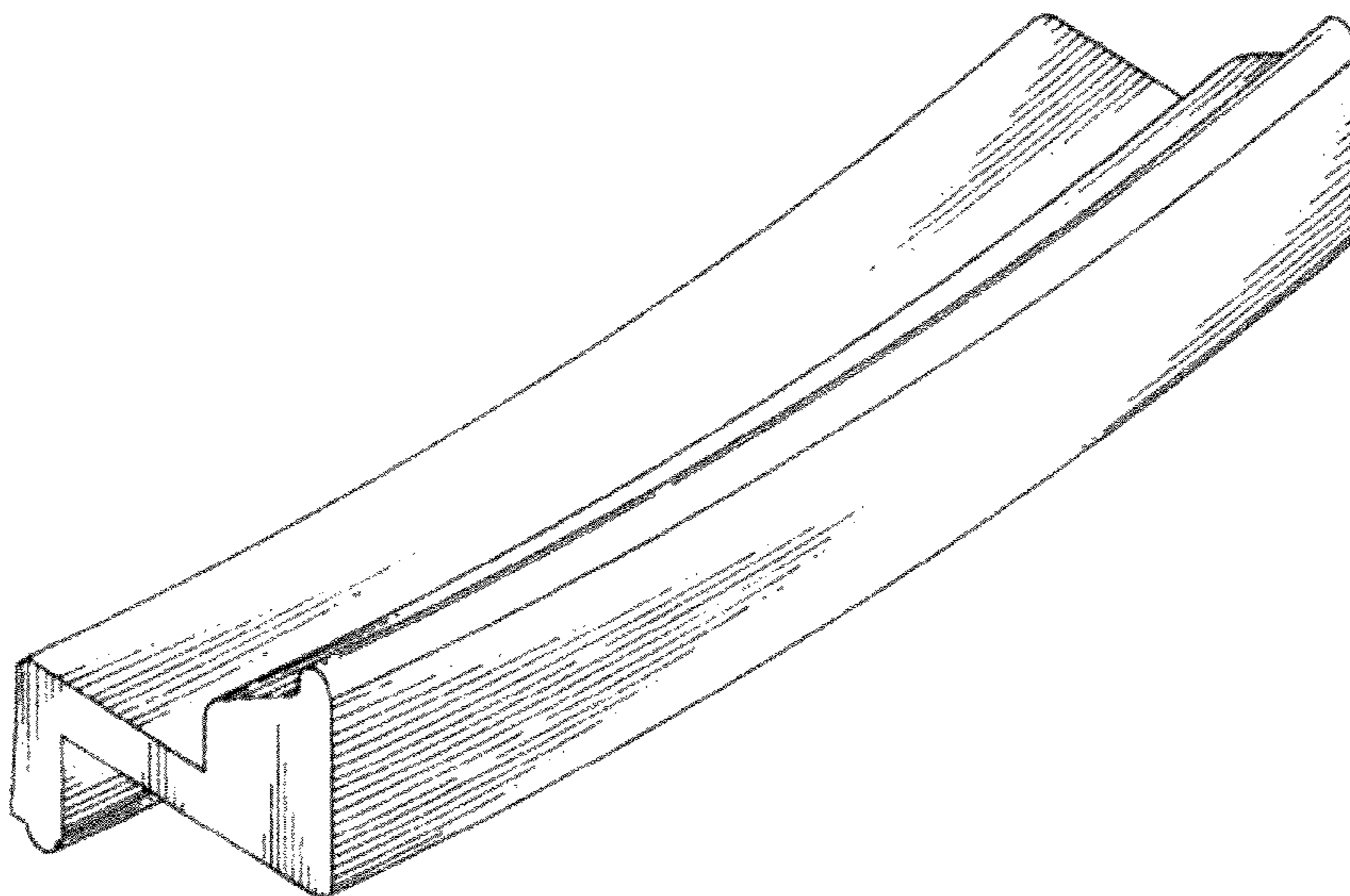
FIG. 1 is a perspective view of a sealing ring showing our new design;
FIG. 2 is a plan view thereof;
FIG. 3 is a bottom view thereof;
FIG. 4 is a front view thereof;
FIG. 5 is a reference plan view thereof;
FIG. 6 is an enlarged partial detailed view of segment 6,7 of FIG. 5; and,
FIG. 7 is an enlarged partial detailed perspective view of segment 6,7 of FIG. 5.
The rear view, right side view and left side view are omitted since those views are identical to the front view.

(56) **References Cited**

U.S. PATENT DOCUMENTS

2,888,281 A	5/1959	Ratti
3,015,510 A	1/1962	Schuyler
3,174,761 A	3/1965	Workman
3,347,556 A	10/1967	Fleckenstein
3,854,737 A	12/1974	Gilliam
D243,406 S *	2/1977	Mooney et al. D13/154
4,159,828 A	7/1979	Ostling et al.
4,421,329 A	12/1983	Jelinek
4,421,330 A	12/1983	Burke
4,955,732 A	9/1990	Behrens
5,002,290 A	3/1991	Pernin
D347,885 S *	6/1994	Gustafsson D23/269
D374,710 S	10/1996	Gustafsson
5,667,225 A	9/1997	Vollmer et al.

1 Claim, 7 Drawing Sheets



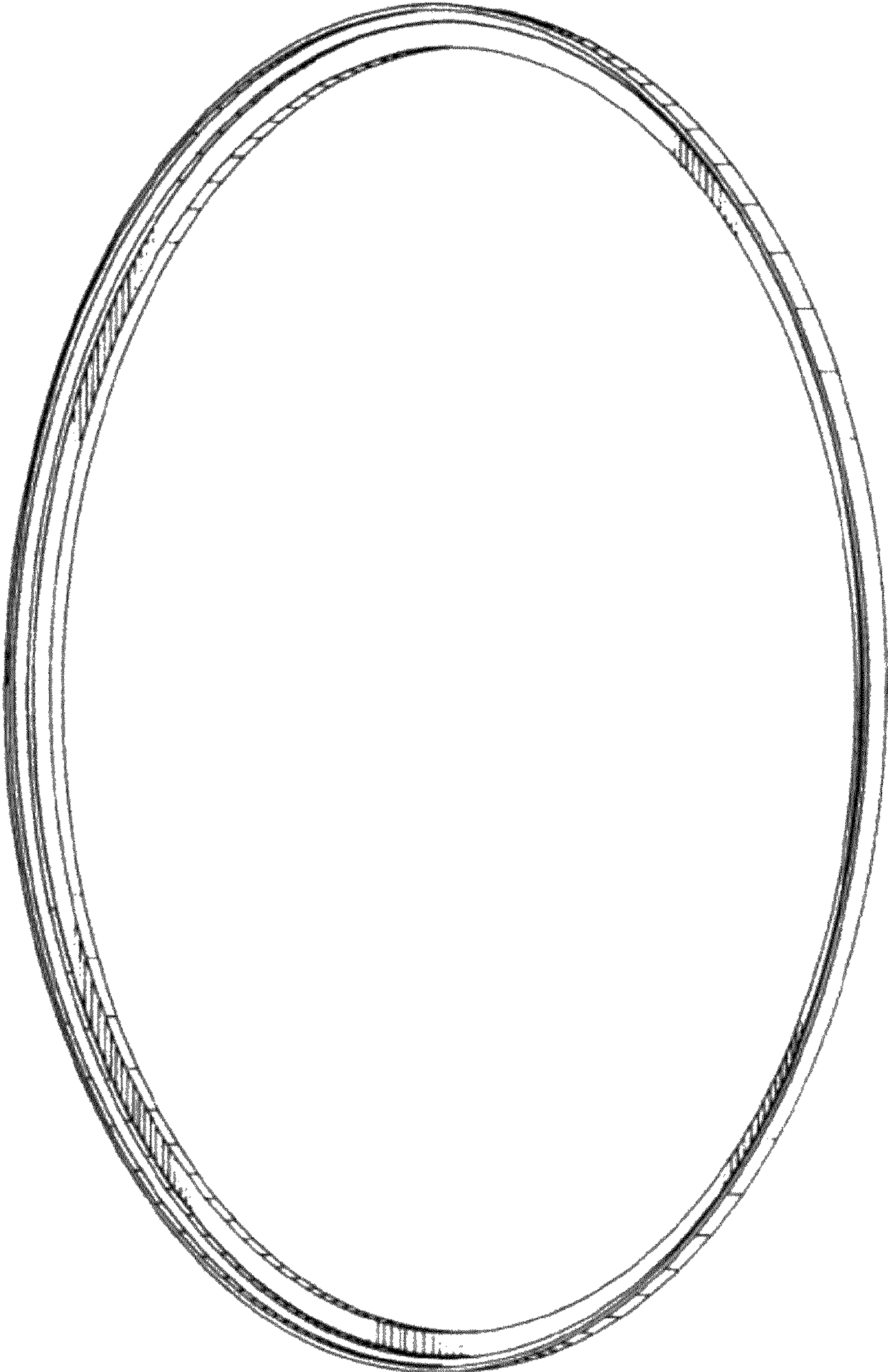


FIG. 1

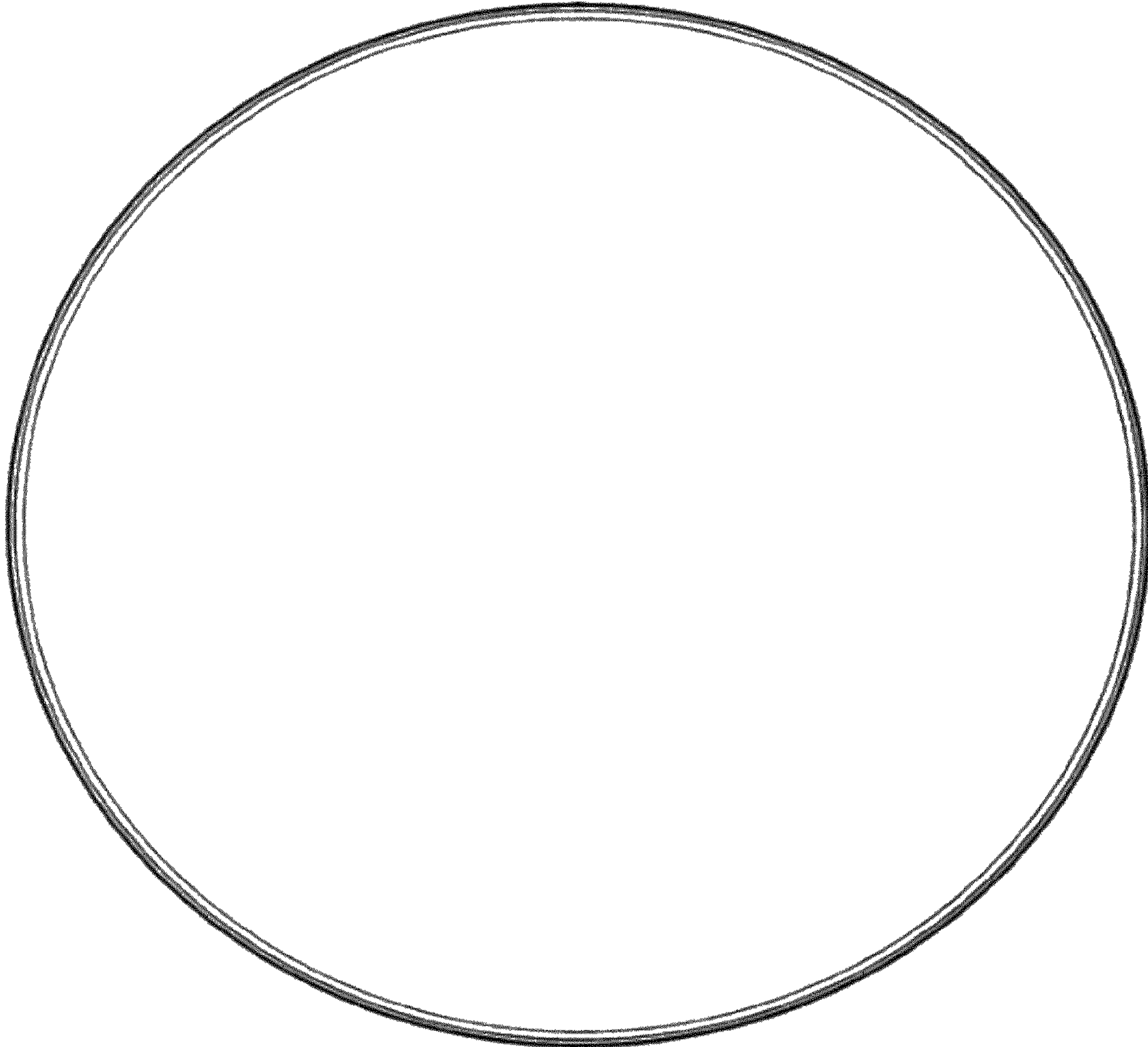


FIG. 2

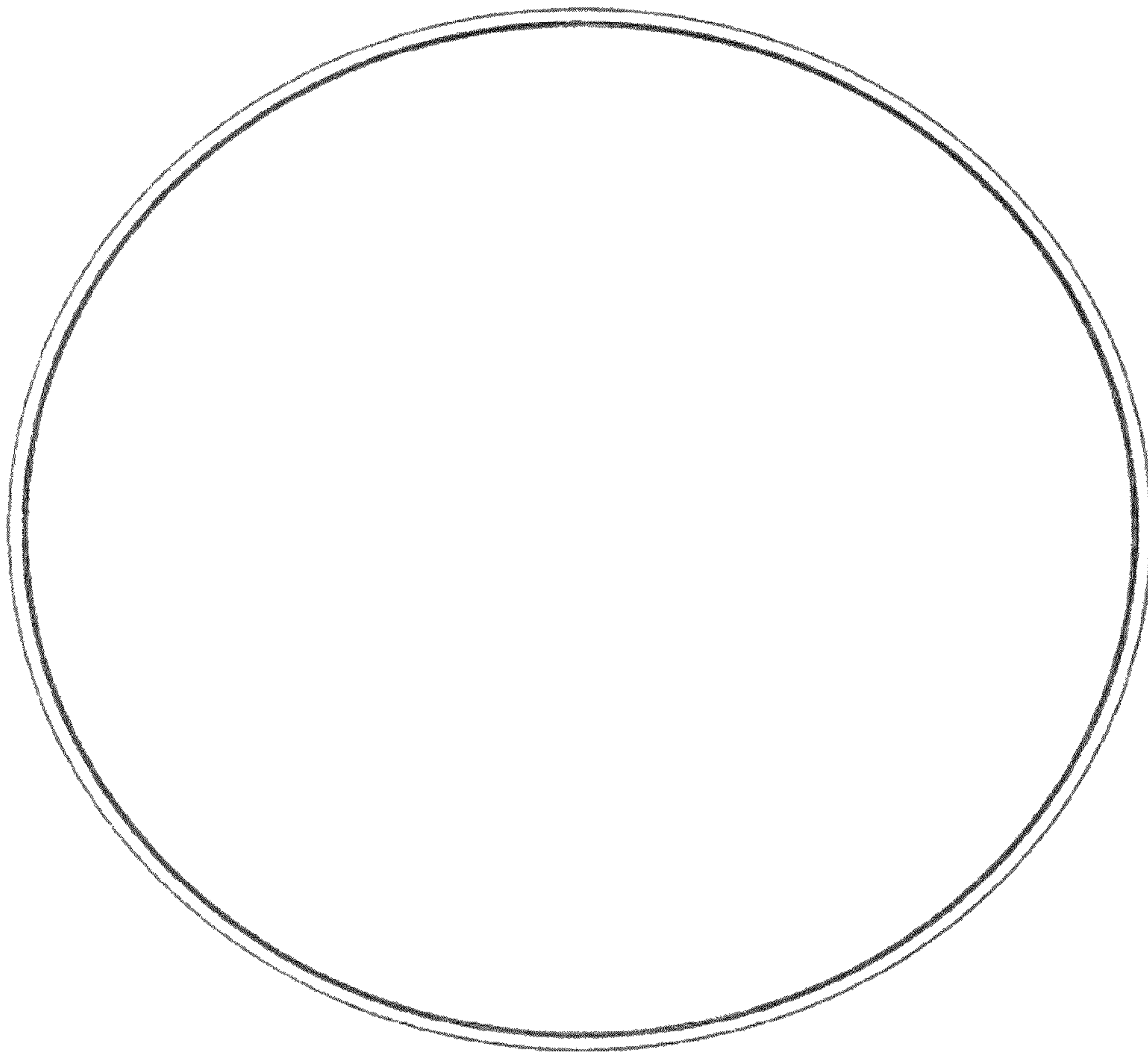


FIG. 3

FIG. 4



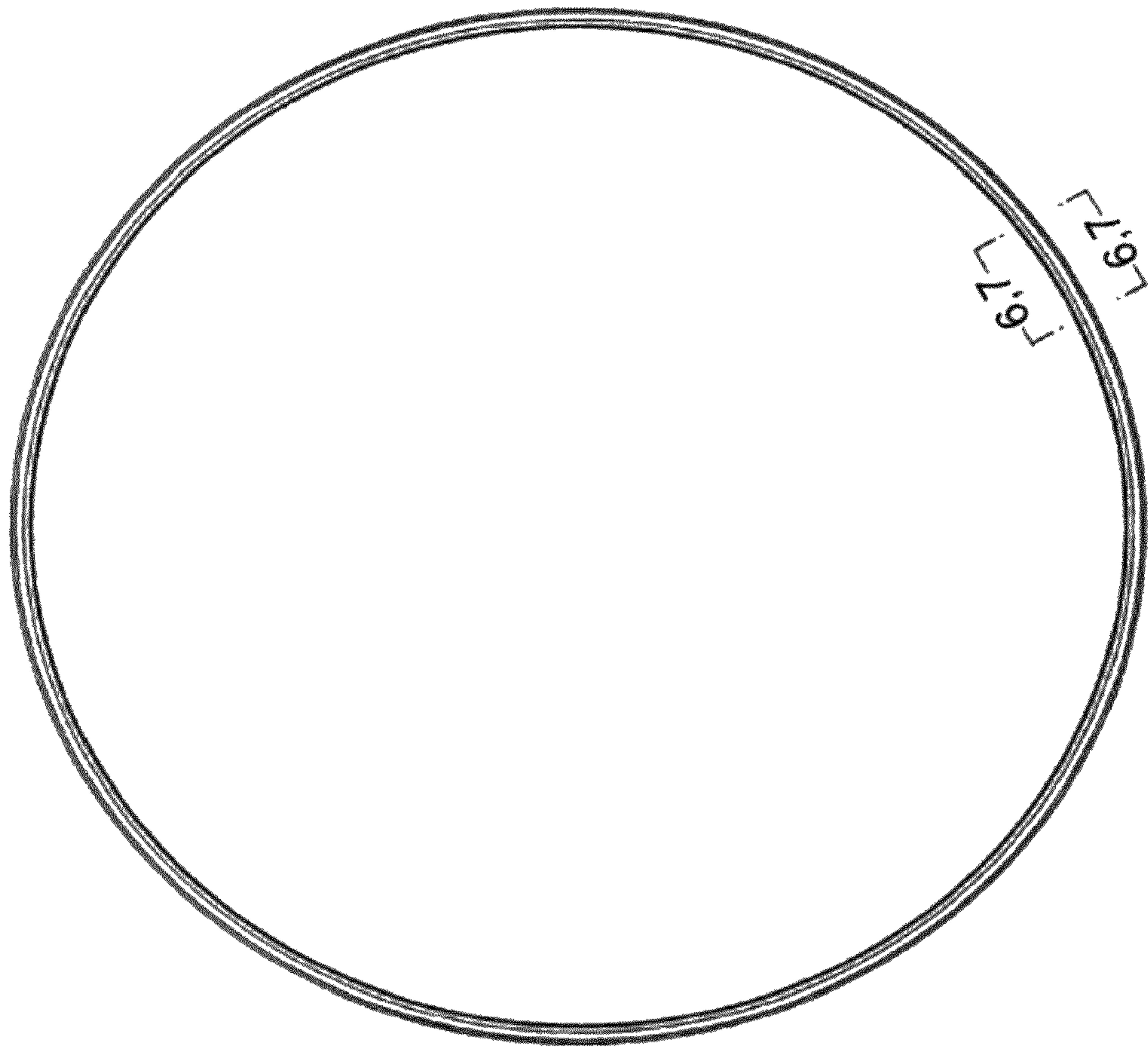
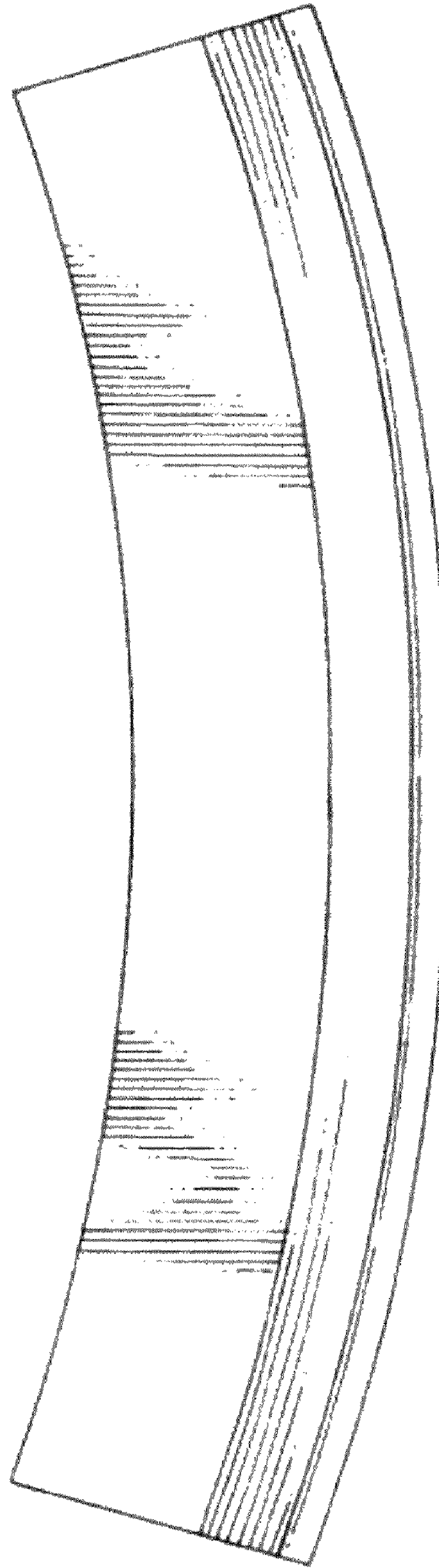


FIG. 5

FIG. 6



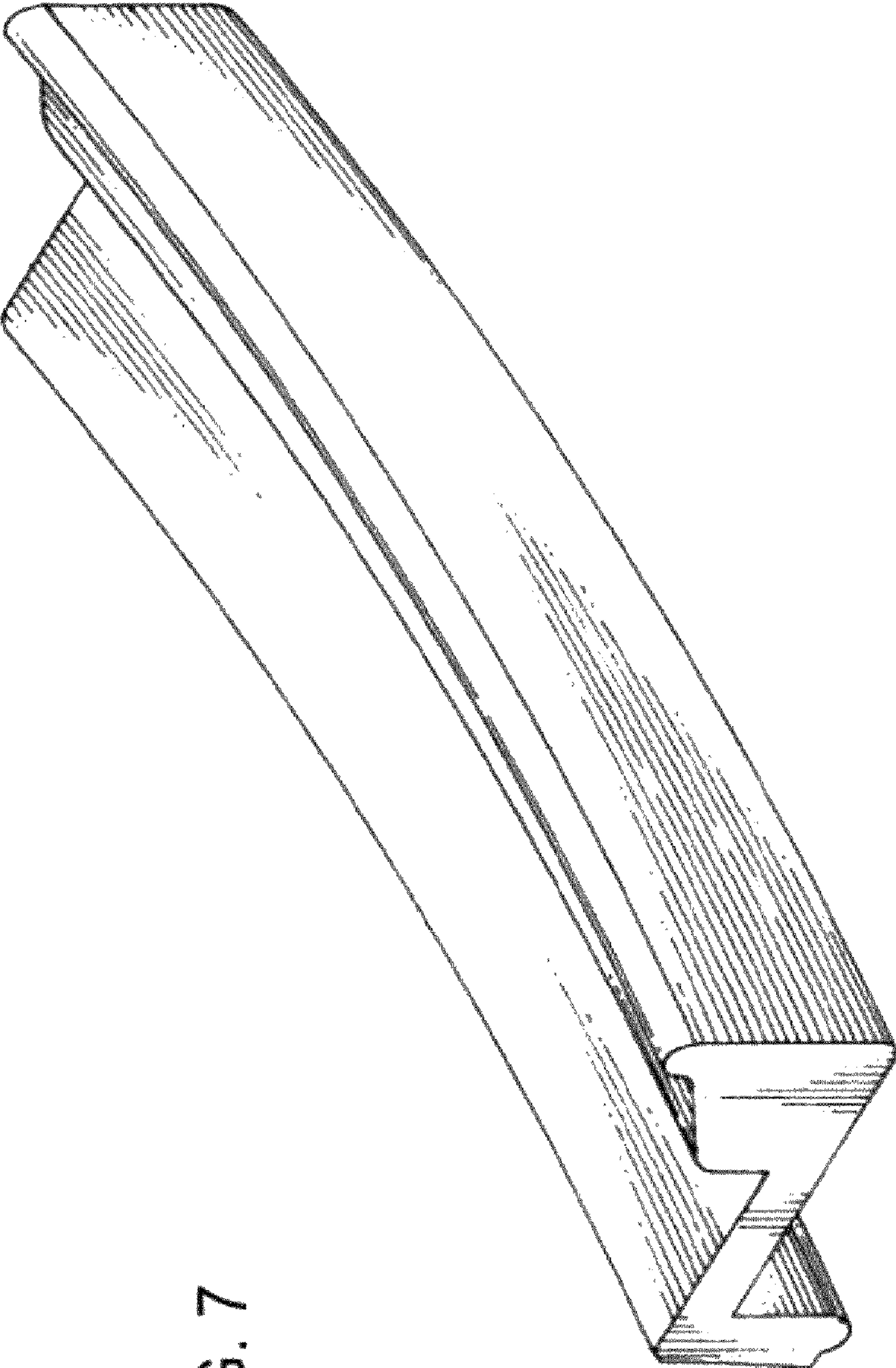


FIG. 7