



US00D659173S

(12) **United States Design Patent**
Satcher

(10) **Patent No.:** **US D659,173 S**

(45) **Date of Patent:** **** May 8, 2012**

(54) **REFRIGERATOR DOOR-MOUNTED
BEVERAGE CONTAINER DISPENSER**

7,377,123 B2 5/2008 Byrne et al.
D586,367 S * 2/2009 Pfister et al. D15/89
2003/0218023 A1 11/2003 Zangari et al.

(76) Inventor: **James Frank Satcher**, Heidelberg, MI
(US)

* cited by examiner

(**) Term: **14 Years**

Primary Examiner — Mitchell Siegel

(21) Appl. No.: **29/388,725**

(74) *Attorney, Agent, or Firm* — RG Patent Consulting LLC

(22) Filed: **Mar. 31, 2011**

(51) **LOC (9) Cl.** **15-07**

(52) **U.S. Cl.** **D15/89**

(58) **Field of Classification Search** D15/79-91;
62/63, 157, 377, 381, 419, 441, 447
See application file for complete search history.

(57) **CLAIM**

I claim the ornamental design for a refrigerator door-mounted beverage container dispenser, as shown and described.

DESCRIPTION

FIG. 1 is a front, top and side perspective view of the refrigerator door-mounted beverage container dispenser embodying the design of the present invention, the refrigerator being shown in dotted lines.

FIG. 2 is a top plan view thereof.

FIG. 3 is a bottom view thereof.

FIG. 4 is a side elevational view thereof.

FIG. 5 is a side elevational view thereof; and,

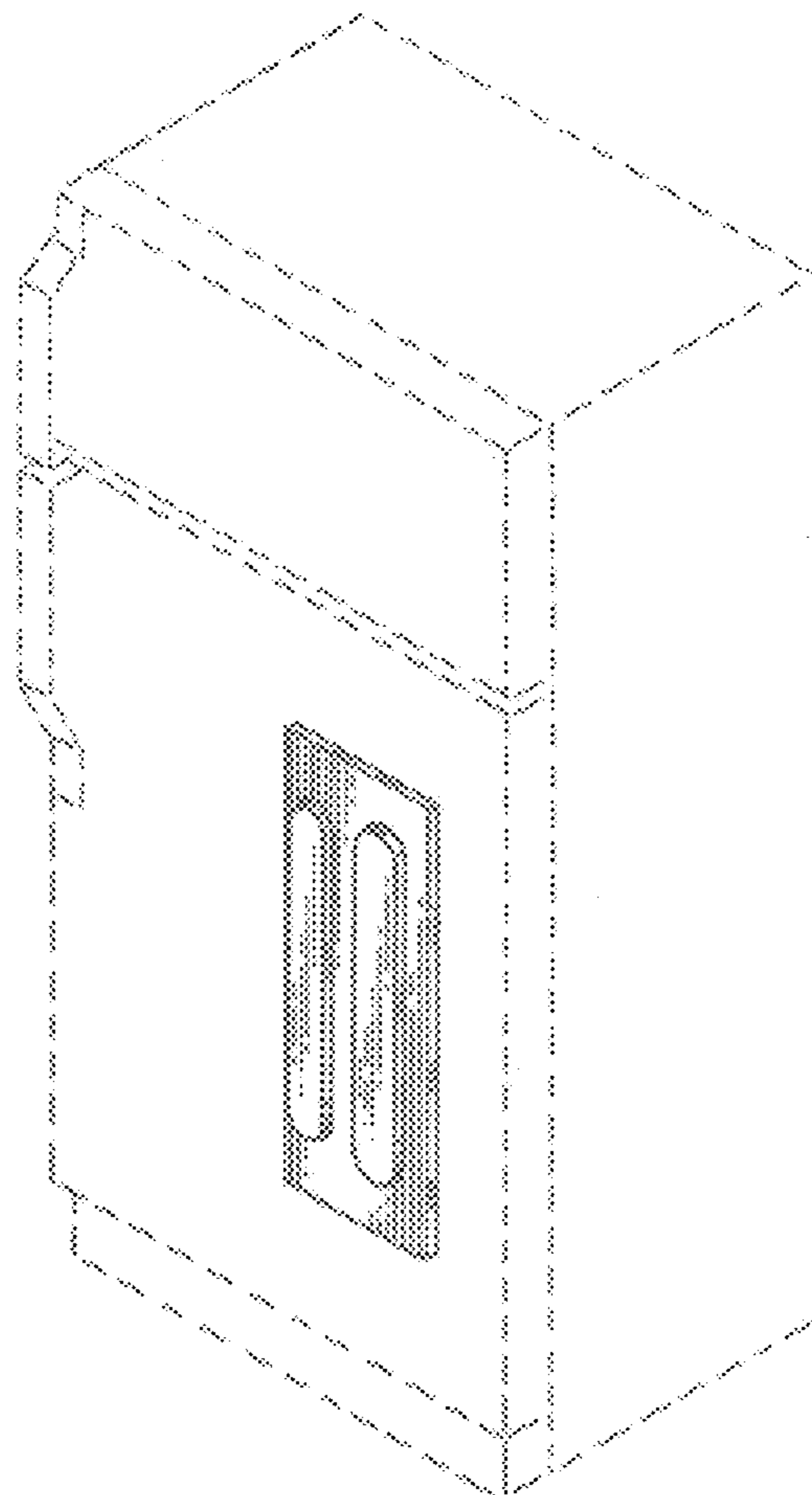
FIG. 6 is a rear elevational view thereof.

(56) **References Cited**

U.S. PATENT DOCUMENTS

D155,709	S	*	10/1949	Johnson et al.	D15/85
4,368,622	A	*	1/1983	Brooks	62/157
5,899,358	A		5/1999	Daumueller		
6,481,014	B1		11/2002	Banks et al.		
7,150,155	B2	*	12/2006	Faber	62/63

1 Claim, 2 Drawing Sheets



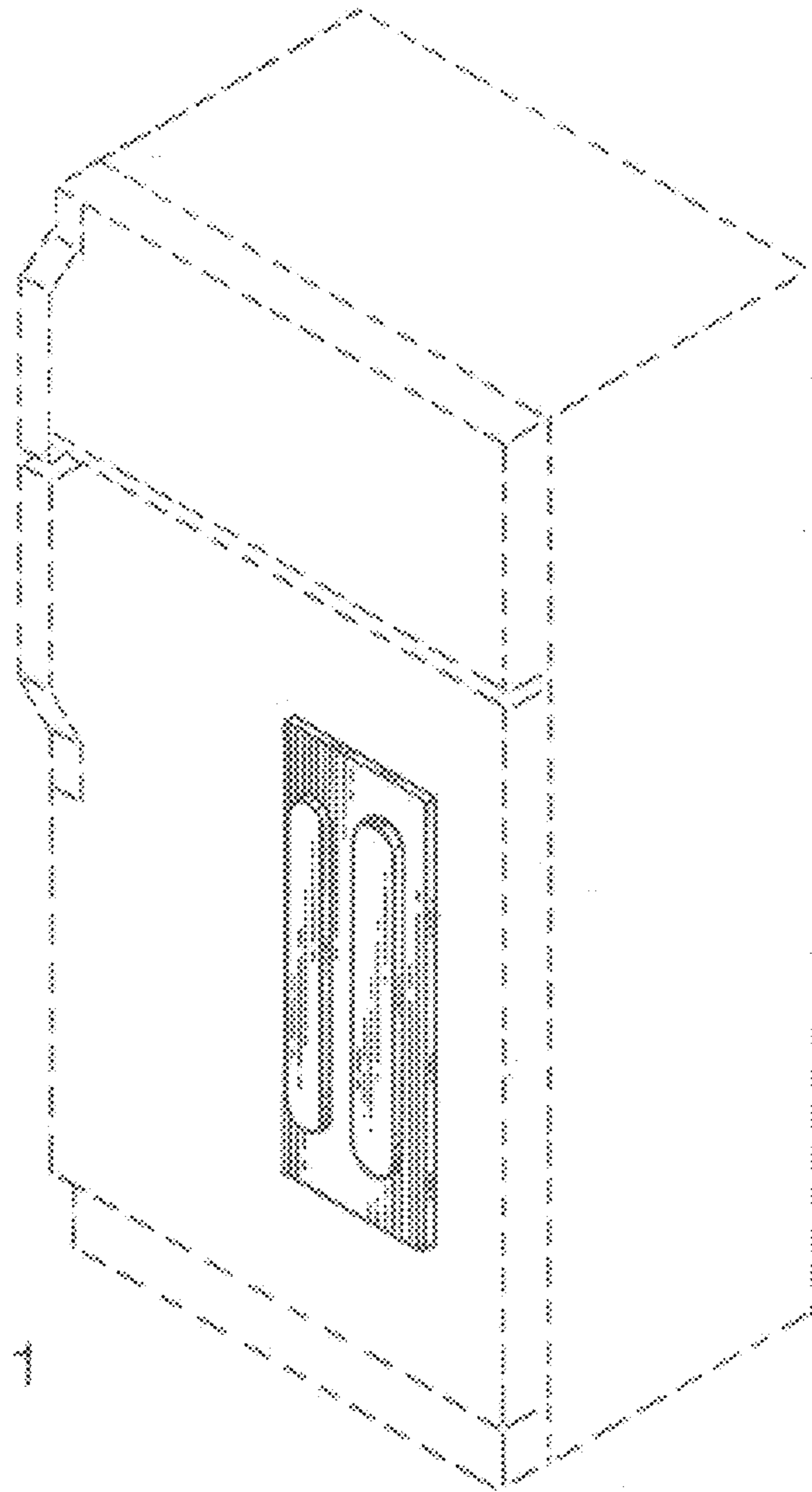


FIG. 1



FIG. 2



FIG. 3

FIG. 4

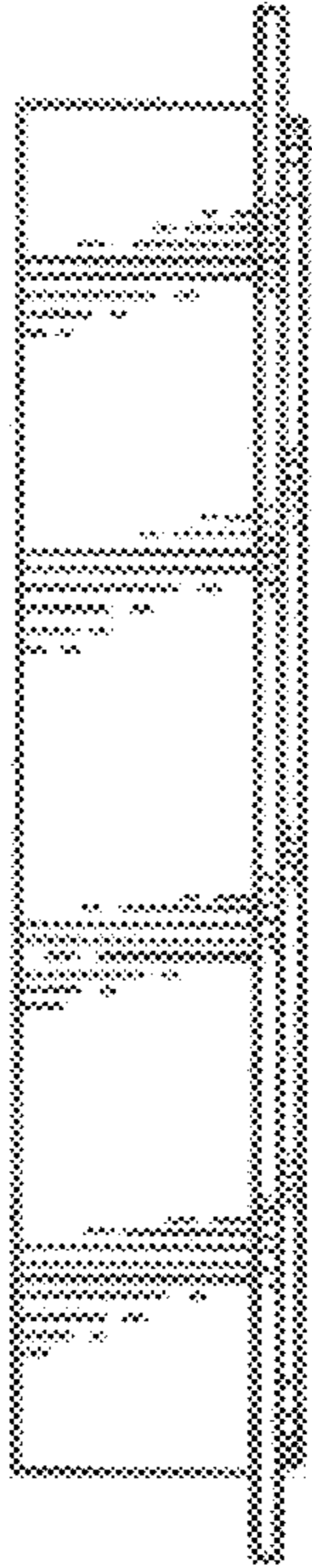


FIG. 5



FIG. 6

