



US00D659171S

(12) **United States Design Patent**
Chen

(10) **Patent No.:** **US D659,171 S**

(45) **Date of Patent:** **** May 8, 2012**

(54) **AIR COMPRESSOR CYLINDER HOUSING**

(76) Inventor: **Chun Lan Chen, Xinling (CN)**

(**) Term: **14 Years**

(21) Appl. No.: **29/374,705**

(22) Filed: **Sep. 22, 2011**

(51) **LOC (9) Cl.** **15-02**

(52) **U.S. Cl.** **D15/9**

(58) **Field of Classification Search** D15/7-9;
D23/231, 232; 417/410.1, 359, 415-416,
417/234, 321, 265, 405

See application file for complete search history.

(56) **References Cited**

U.S. PATENT DOCUMENTS

D505,961 S *	6/2005	Chu	D15/9
D506,763 S *	6/2005	Chu	D15/9
D530,345 S *	10/2006	Chu	D15/9
D532,020 S *	11/2006	Chu	D15/9
D540,348 S *	4/2007	Chu	D15/7
D540,351 S *	4/2007	Chu	D15/9
D541,819 S *	5/2007	Chu	D15/9
D541,820 S *	5/2007	Chu	D15/9
D541,821 S *	5/2007	Chu	D15/9
D549,242 S *	8/2007	Chu	D15/9

D549,737 S *	8/2007	Chu	D15/9
D574,856 S *	8/2008	Chu	D15/9
D574,857 S *	8/2008	Chu	D15/9
D583,392 S *	12/2008	Chu	D15/9
D586,684 S *	2/2009	Nam	D15/9
D589,063 S *	3/2009	Chu	D15/9
D648,748 S *	11/2011	Chu	D15/9

* cited by examiner

Primary Examiner — Ralf Seifert

(74) *Attorney, Agent, or Firm* — Charles E. Baxley

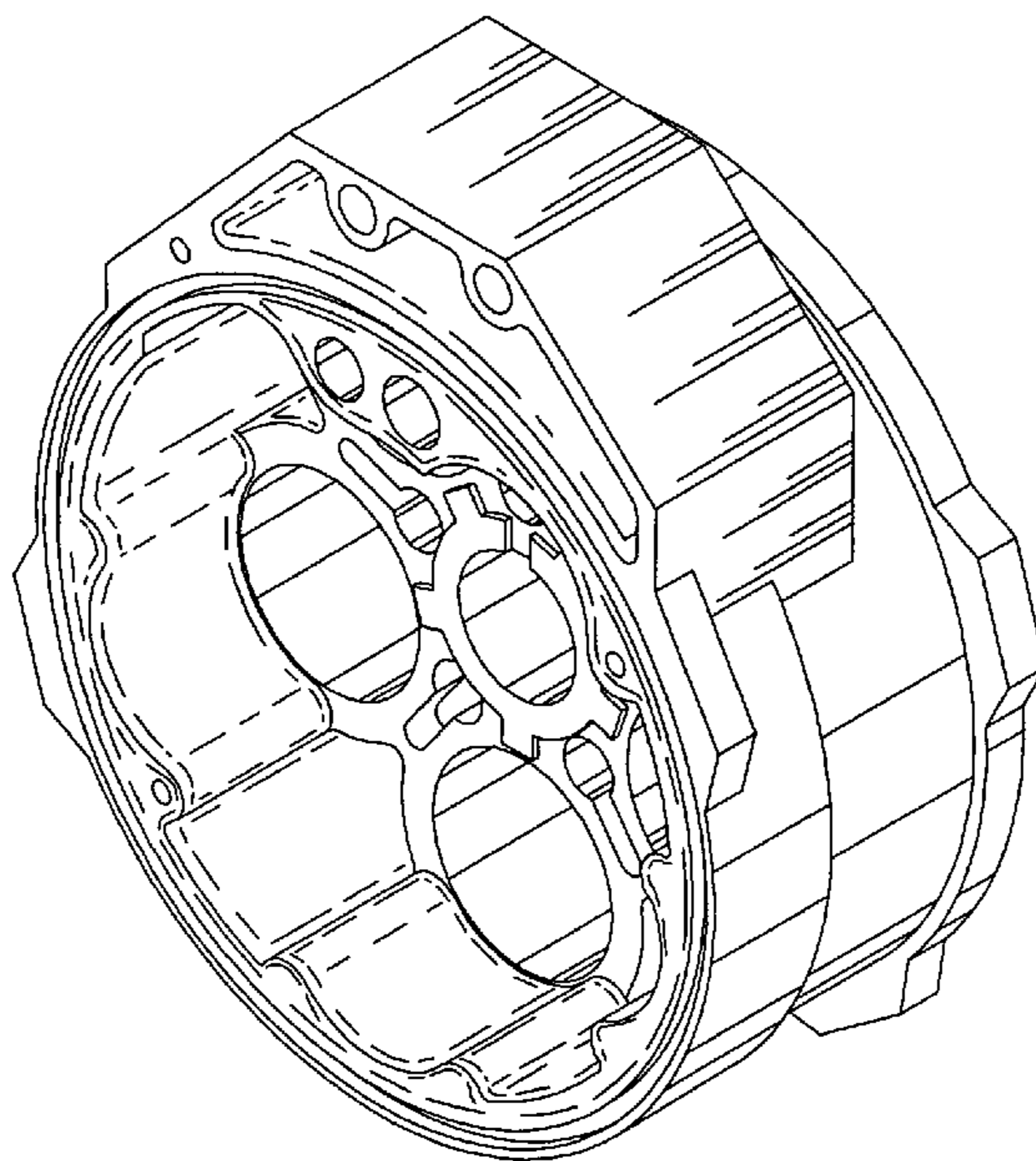
(57) **CLAIM**

The ornamental design for an air compressor cylinder housing, as shown and described.

DESCRIPTION

FIG. 1 is a front perspective view of an air compressor cylinder housing showing my new design; FIG. 2 is a front elevational view thereof; FIG. 3 is a rear elevational view thereof; FIG. 4 is a top plan view thereof; FIG. 5 is a bottom plan view thereof; FIG. 6 is a left side elevational view thereof; FIG. 7 is a right side elevational view thereof; and, FIG. 8 is a rear perspective view thereof.

1 Claim, 4 Drawing Sheets



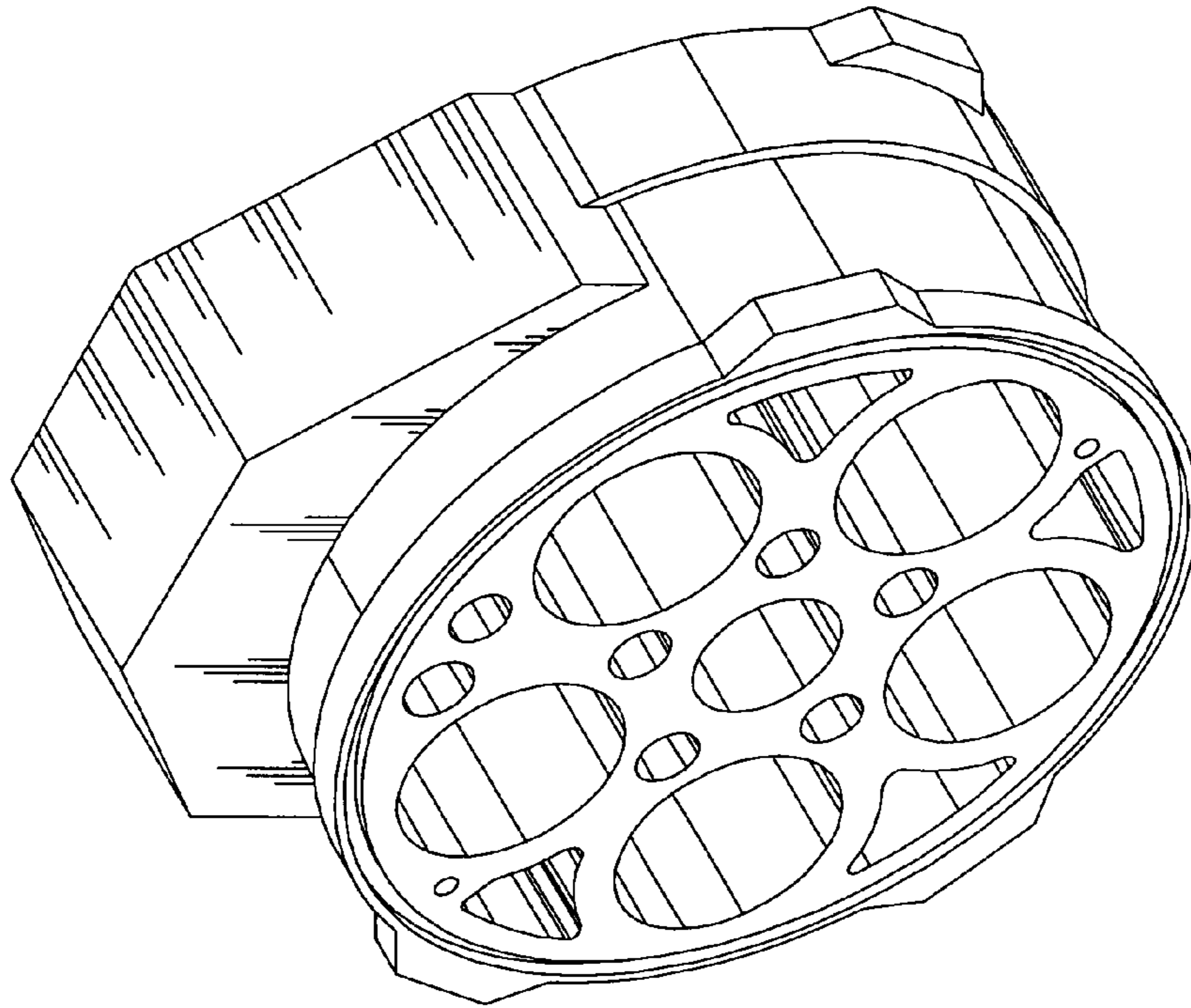


FIG. 8

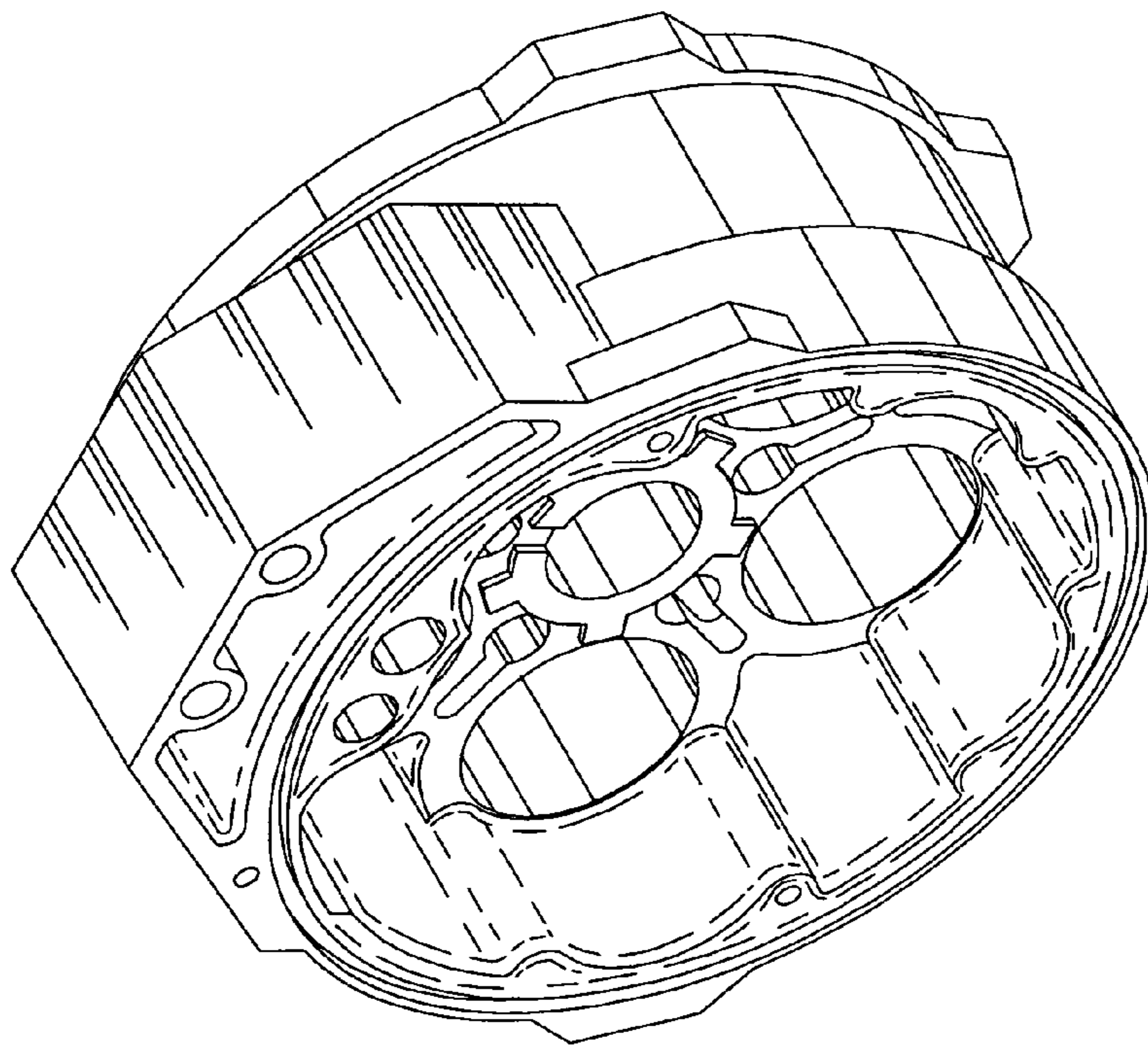


FIG. 1

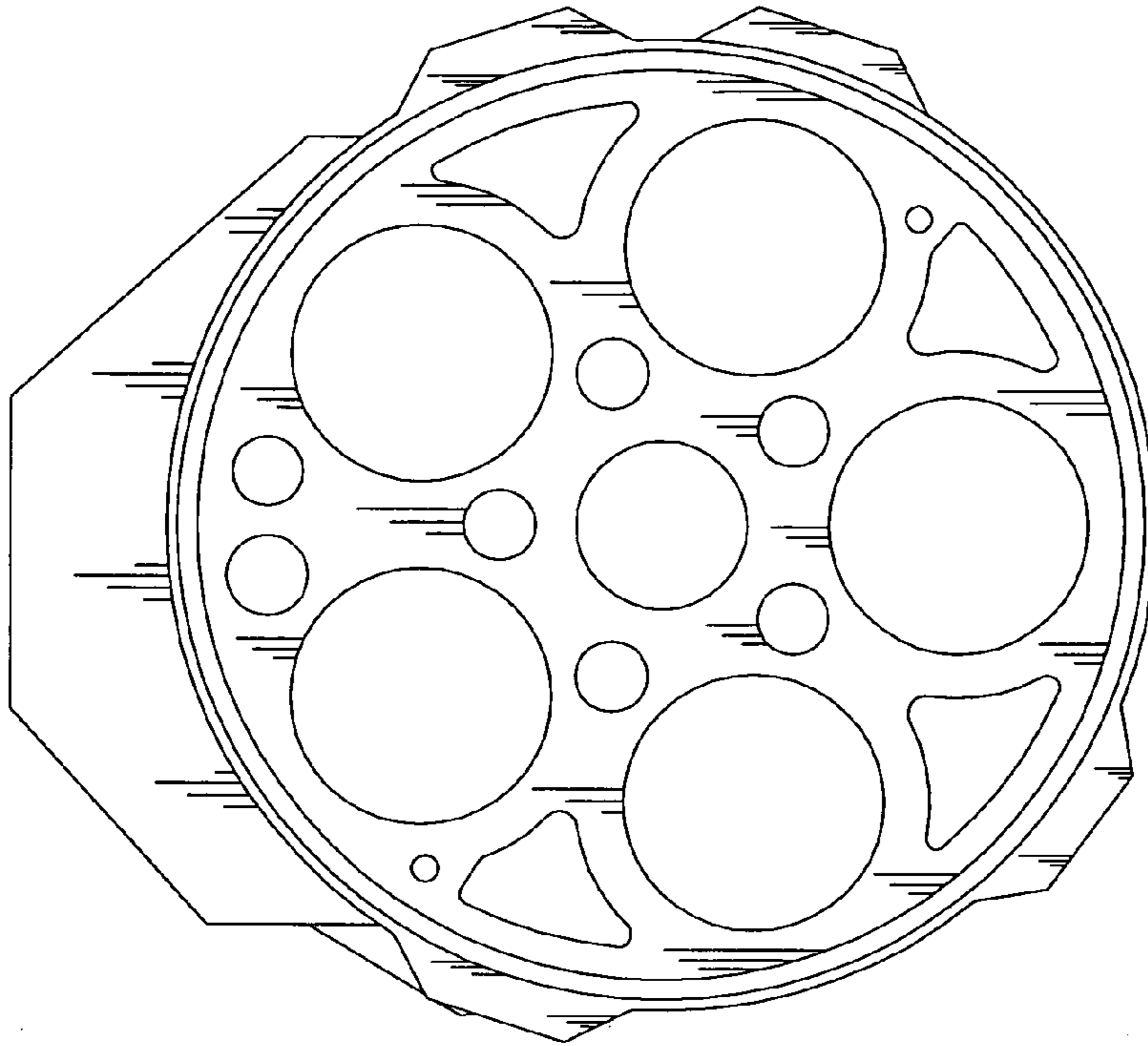


FIG. 3

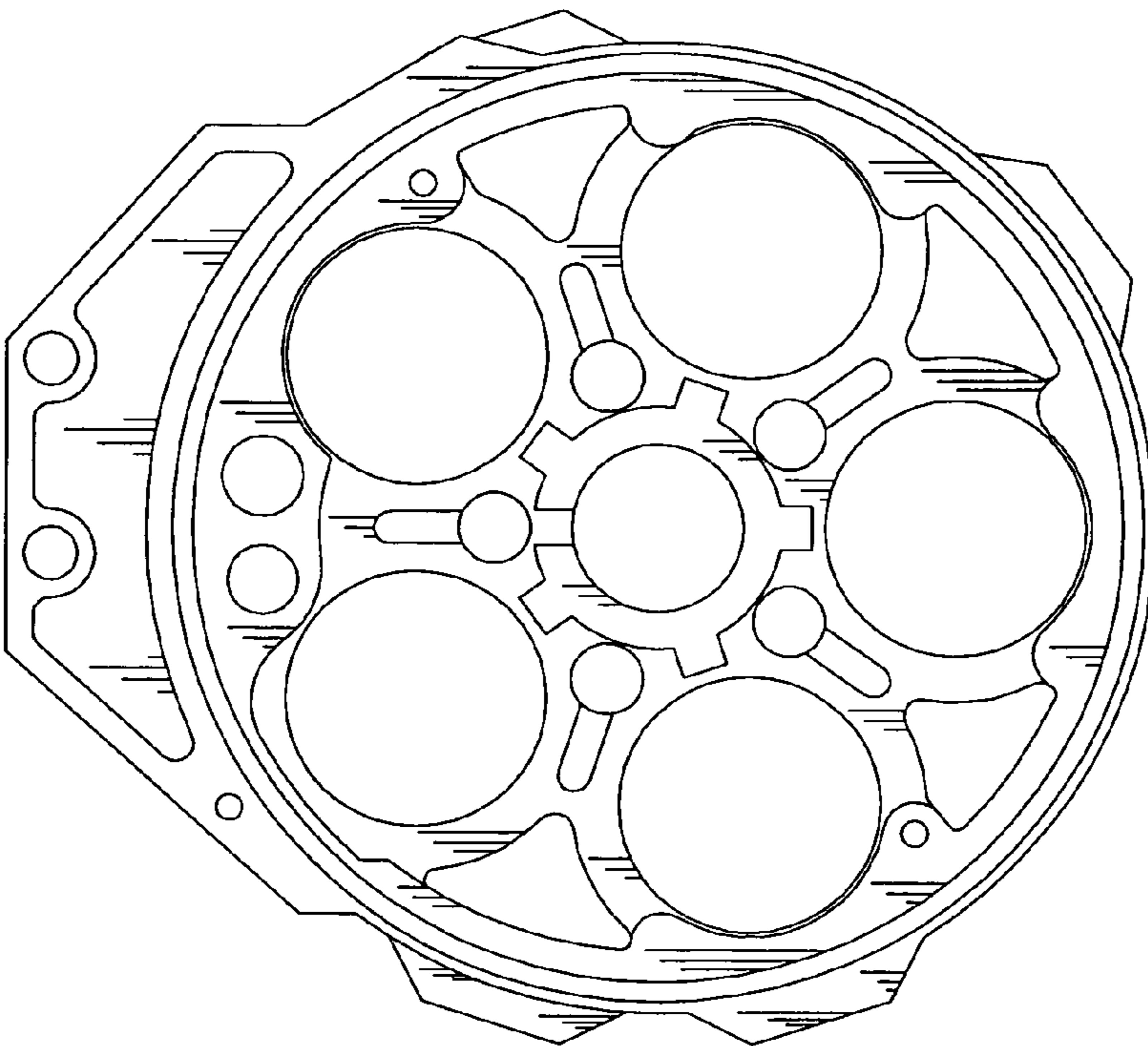


FIG. 2

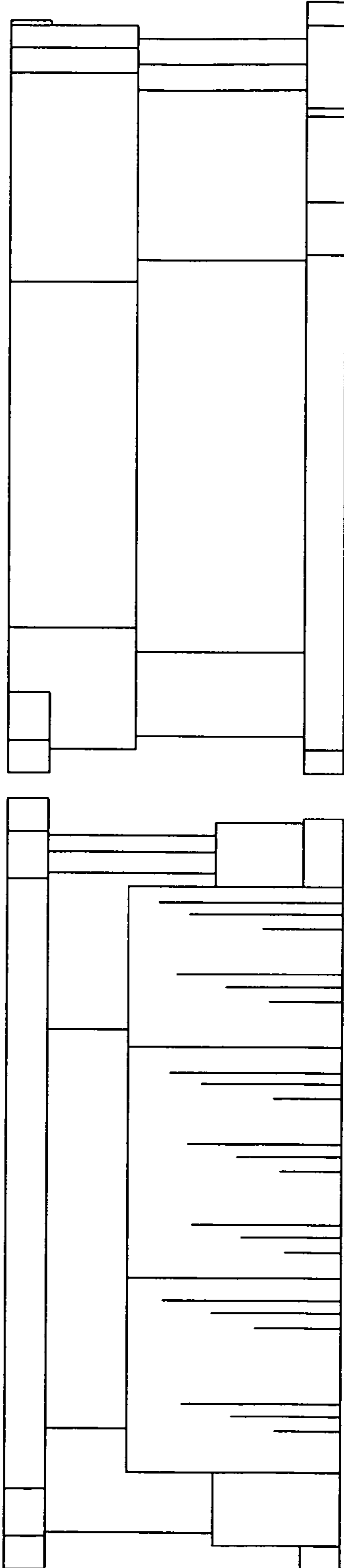


FIG. 5

FIG. 4

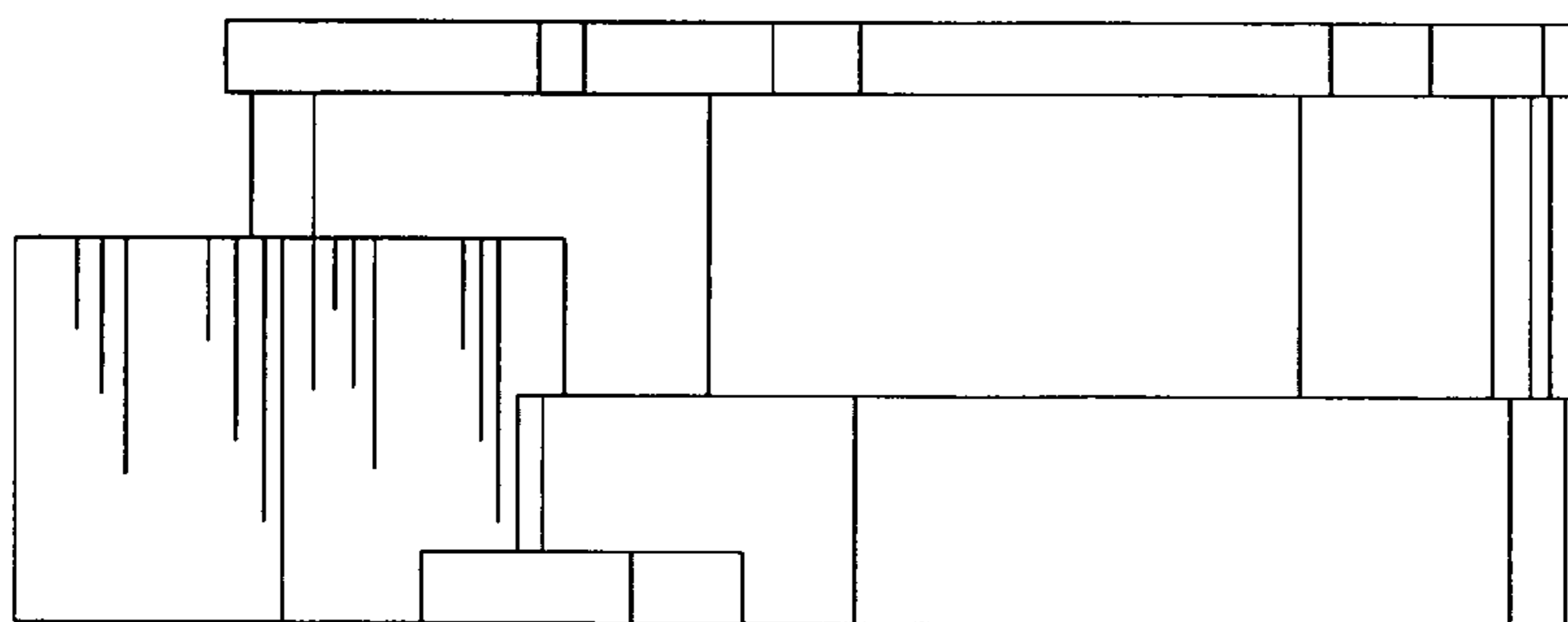


FIG. 7

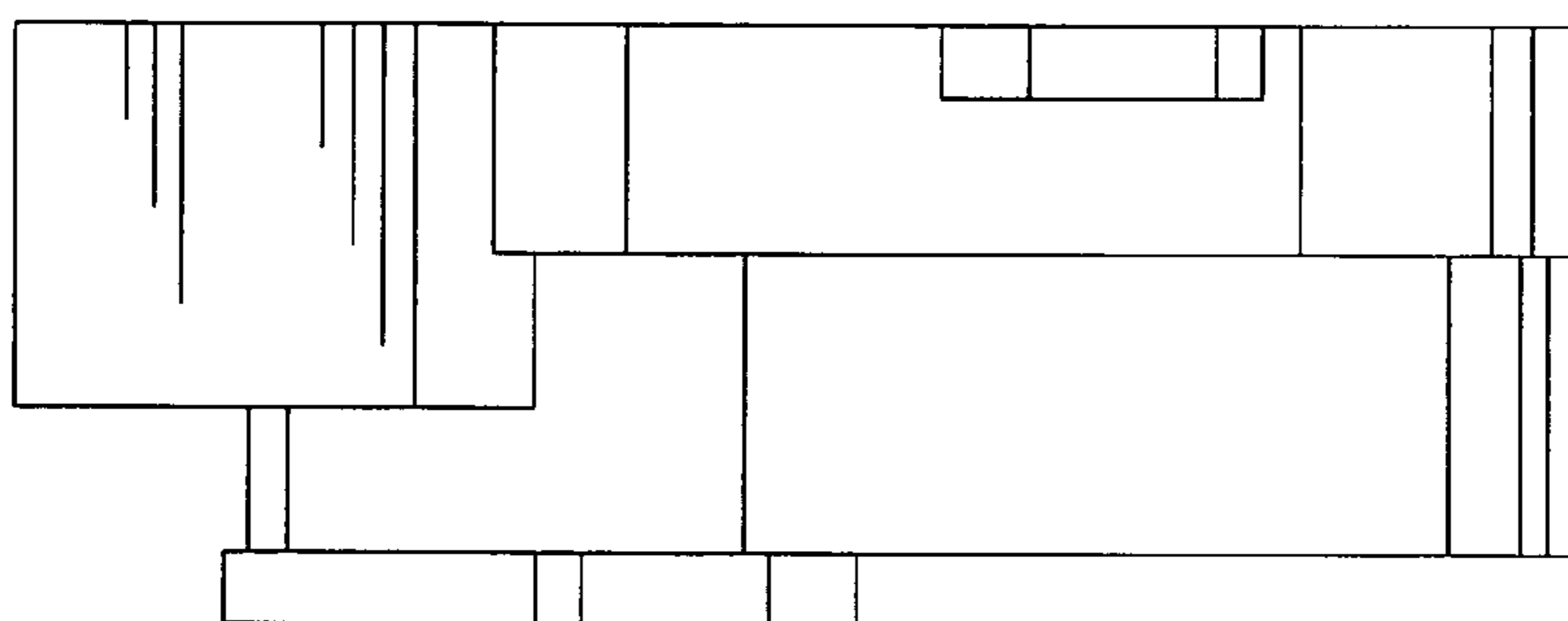


FIG. 6