



US00D659165S

(12) **United States Design Patent**  
**Boussu et al.**

(10) **Patent No.:** **US D659,165 S**  
(45) **Date of Patent:** **\*\* May 8, 2012**

(54) **PUMP ASSEMBLY**  
(75) Inventors: **Fred Boussu**, West Newbury, MA (US);  
**Ed McLean**, Billerica, MA (US); **Kevin Ryczek**,  
Barrington, NH (US); **Sean Albert**, Barrington, NH (US)  
(73) Assignee: **Smith & Nephew, Inc.**, Memphis, TN (US)

D358,397 S 5/1995 Phillips et al.  
D375,315 S 11/1996 Paul  
D399,213 S 10/1998 Sorensen et al.  
D454,358 S 3/2002 Davis et al.  
D510,939 S 10/2005 Nikolayev et al.  
D520,521 S \* 5/2006 Angeletta ..... D15/7  
D559,866 S 1/2008 Saunders et al.  
D584,320 S \* 1/2009 Huang ..... D15/7  
D588,161 S 3/2009 Daniel  
D589,984 S 4/2009 Roesler  
D634,755 S \* 3/2011 Sanders et al. .... D15/7

(\*\*) Term: **14 Years**  
(21) Appl. No.: **29/357,727**  
(22) Filed: **Mar. 16, 2010**

\* cited by examiner  
*Primary Examiner* — Ralf Seifert  
*Assistant Examiner* — Barbara Fox  
(74) *Attorney, Agent, or Firm* — Fish & Richardson P.C.

**Related U.S. Application Data**

(62) Division of application No. 29/303,473, filed on Feb. 8, 2008, now Pat. No. Des. 611,961.  
(51) **LOC (9) Cl.** ..... **15-02**  
(52) **U.S. Cl.** ..... **D15/7**  
(58) **Field of Classification Search** ..... D15/7-9;  
D23/231, 232, 225; 417/410.1, 359, 415-416,  
417/234, 321, 265, 405  
See application file for complete search history.

(57) **CLAIM**  
The ornamental design for a pump assembly, as shown and described.

**DESCRIPTION**

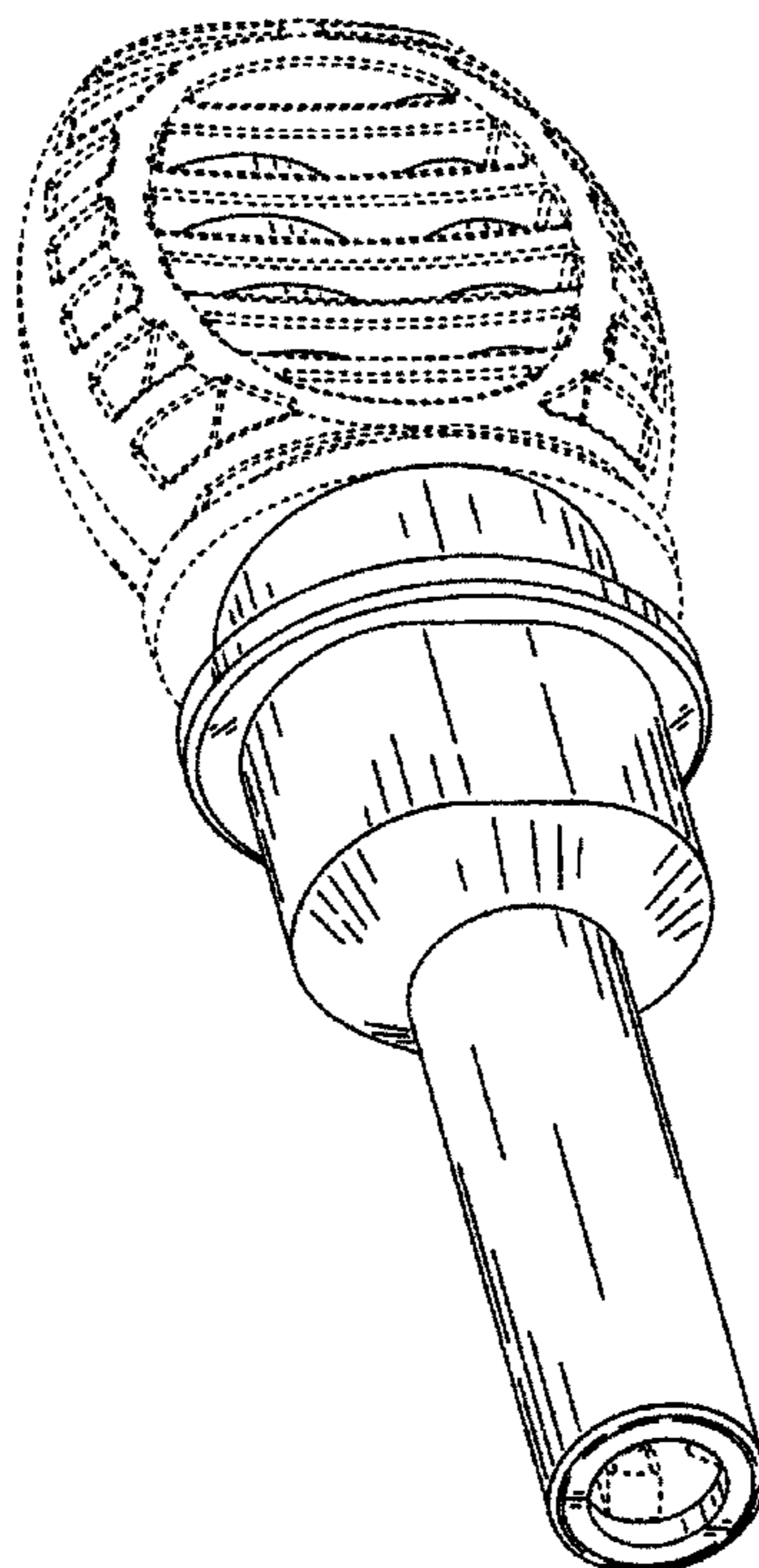
FIG. 1 is a front, perspective view of a first implementation of a new ornamental design of a pump assembly.  
FIG. 2 is a front view of the design of FIG. 1.  
FIG. 3 is a back view of the design of FIG. 1.  
FIG. 4 is a right, side view of the design of FIG. 1.  
FIG. 5 is a left, side view of the design of FIG. 1.  
FIG. 6 is a top view of the design of FIG. 1; and,  
FIG. 7 is a bottom view of the design of FIG. 1.  
The broken lines that define the bounds of the claimed design form no part thereof.

(56) **References Cited**

**U.S. PATENT DOCUMENTS**

D160,078 S 9/1950 Edelstone et al.  
2,908,109 A \* 10/1959 Rotwein ..... 446/224  
D241,912 S 10/1976 Ishigaki et al.  
D304,970 S \* 12/1989 Gibb ..... D23/231  
D336,090 S 6/1993 Lacorazza  
D342,263 S 12/1993 Harrell

**1 Claim, 5 Drawing Sheets**



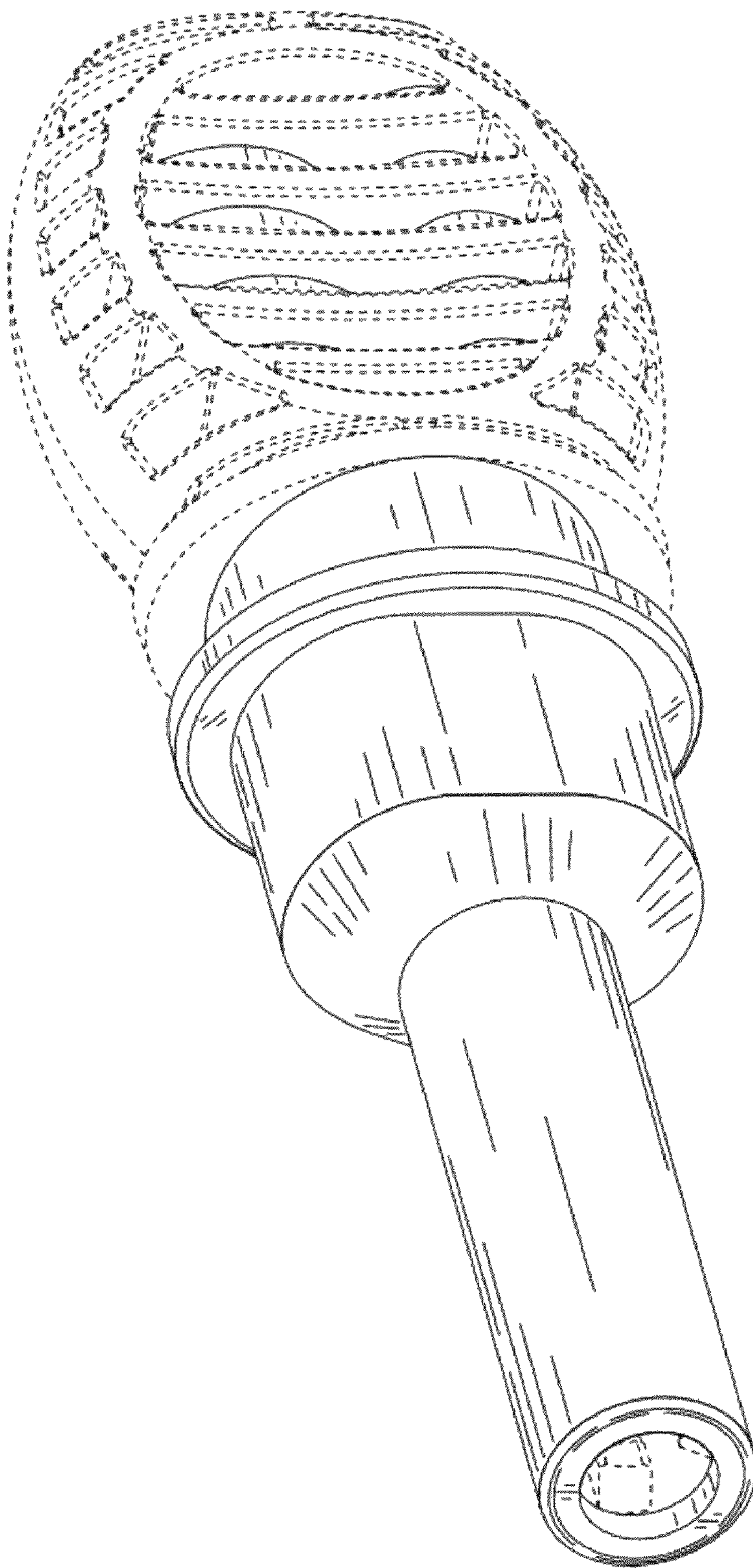


FIG. 1



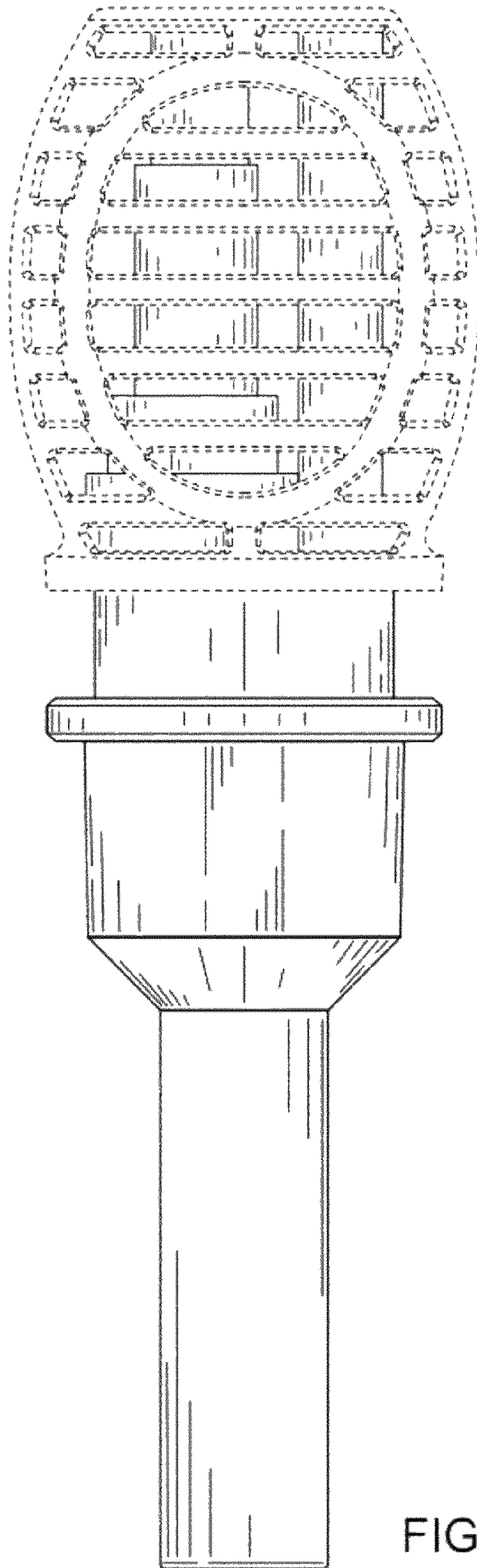


FIG. 2

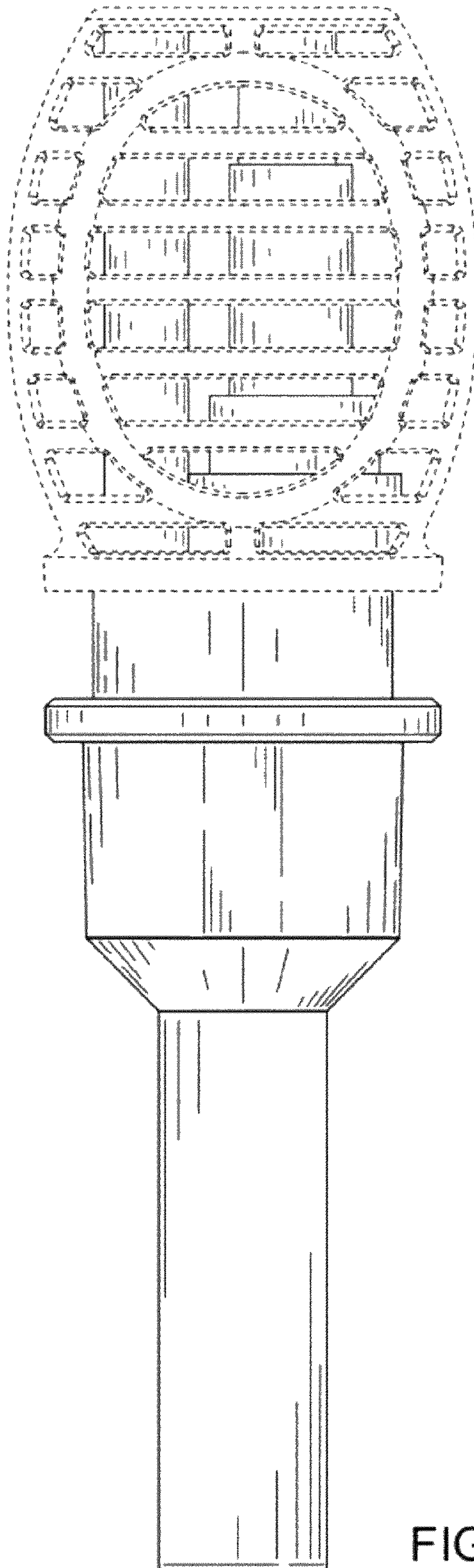


FIG. 3



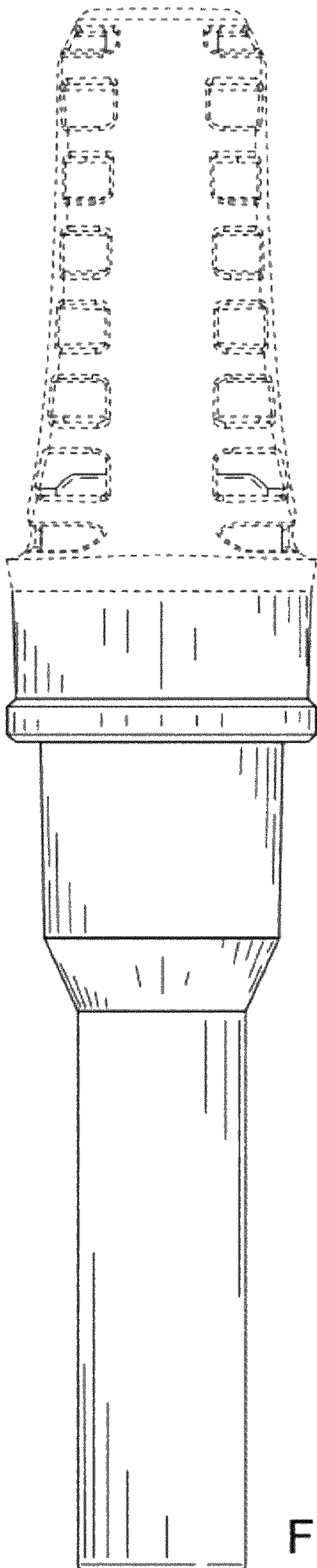


FIG. 4

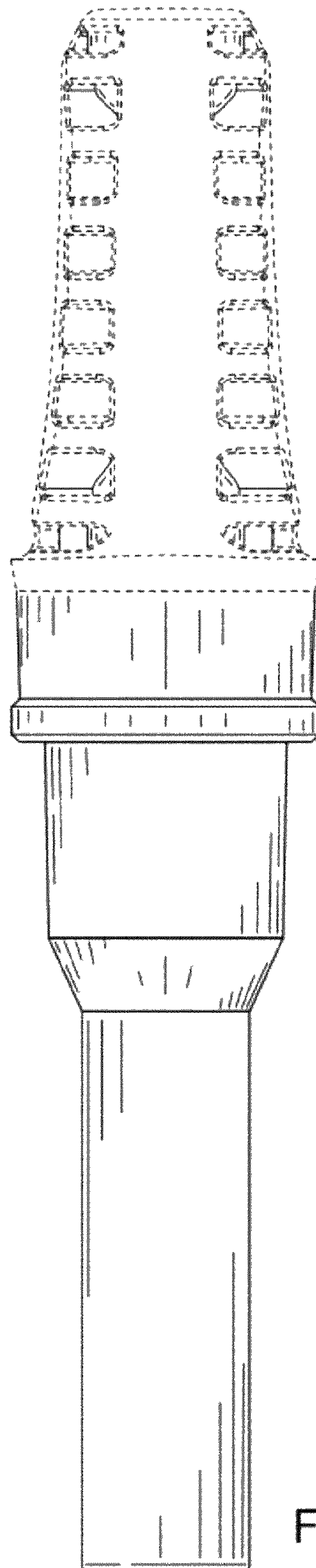


FIG. 5

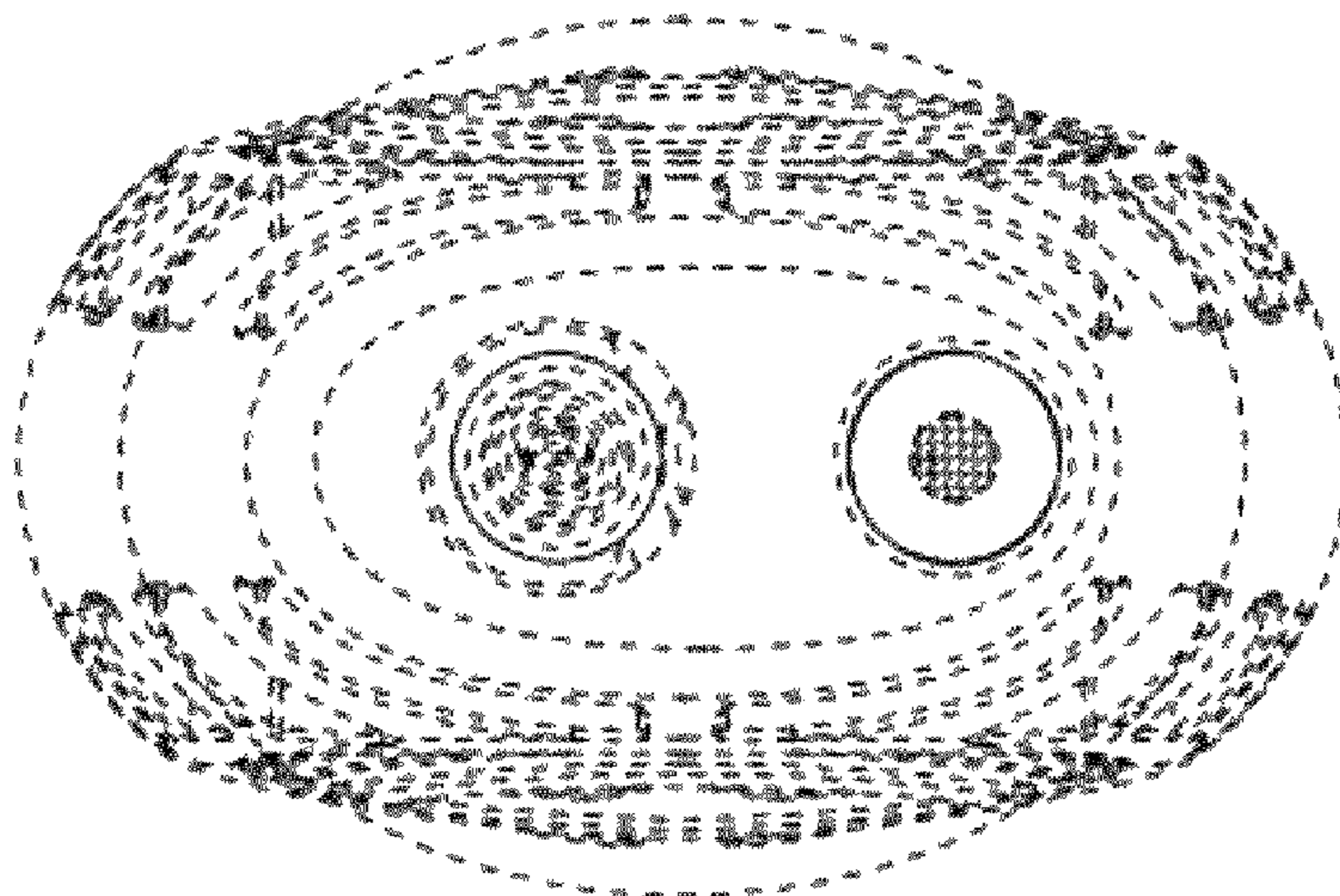


FIG. 6

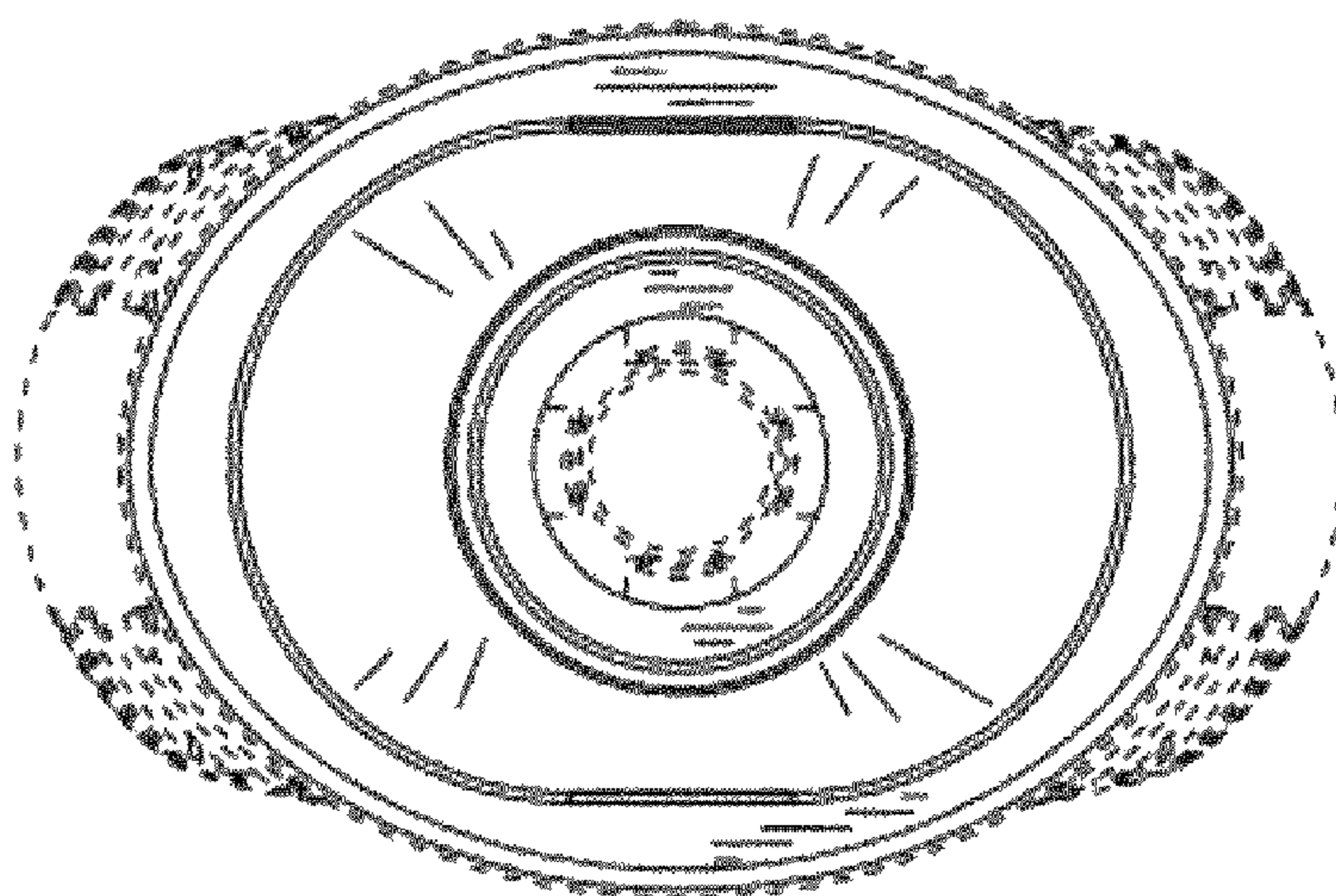


FIG. 7