



US00D659164S

(12) **United States Design Patent**
Tomlinson et al.

(10) **Patent No.:** **US D659,164 S**
(45) **Date of Patent:** **** May 8, 2012**

(54) **WINGED DOWN LEG BOOSTER FOR A CARBURETOR**

(75) Inventors: **Thomas Tomlinson**, Alvaton, KY (US);
Corey Spainhoward, Bowling Green, KY (US); **Laura Shehan**, Bowling Green, KY (US); **Shane Weckerly**, Bowling Green, KY (US)

(73) Assignee: **Holley Performance Products, Inc.**, Bowling Green, KY (US)

(**) Term: **14 Years**

(21) Appl. No.: **29/397,978**

(22) Filed: **Jul. 25, 2011**

(51) **LOC (9) Cl.** **15-01**

(52) **U.S. Cl.** **D15/5**

(58) **Field of Classification Search** D15/1-6;
D12/400; 261/23.2

See application file for complete search history.

(56) **References Cited**

U.S. PATENT DOCUMENTS

D289,003	S	*	3/1987	Koziol	D7/407
4,796,686	A	*	1/1989	Gayso	164/287
D317,997	S	*	7/1991	Koziol	D7/407
D344,273	S	*	2/1994	Benson	D15/5
5,807,512	A	*	9/1998	Grant	261/23.2
5,809,972	A	*	9/1998	Grant	123/478
5,863,470	A	*	1/1999	Grant	261/23.2
6,120,007	A	*	9/2000	Grant	261/23.2
6,305,461	B1		10/2001	Braswell		
D453,774	S	*	2/2002	Garcia	D15/5
D457,167	S	*	5/2002	Goracy	D15/5
D513,618	S	*	1/2006	Bender	D15/5
D514,591	S	*	2/2006	Bender	D15/5
D533,189	S	*	12/2006	Bender	D15/5
D533,191	S	*	12/2006	Bender	D15/5

D645,477	S	*	9/2011	Duffek et al.	D15/5
D645,882	S	*	9/2011	Duffek et al.	D15/5
2003/0116145	A1	*	6/2003	Coleman et al.	123/568.17
2004/0121663	A1	*	6/2004	Marathe et al.	440/38
2011/0047997	A1	*	3/2011	Goplen et al.	60/317

* cited by examiner

Primary Examiner — T. Chase Nelson

Assistant Examiner — Ania Aman

(74) *Attorney, Agent, or Firm* — Hunton & Williams LLP

(57) **CLAIM**

We claim the ornamental design for a winged down leg booster for a carburetor, as shown and described.

DESCRIPTION

FIG. 1 is a perspective view of a winged down leg booster for a carburetor showing the claimed design.

FIG. 2 is a rear elevation view of the winged down leg booster for the carburetor of FIG. 1.

FIG. 3 is a front elevation view of the winged down leg booster for the carburetor of FIG. 1.

FIG. 4 is a right side view of the winged down leg booster for the carburetor of FIG. 1.

FIG. 5 is a left side view of the winged down leg booster for the carburetor of FIG. 1.

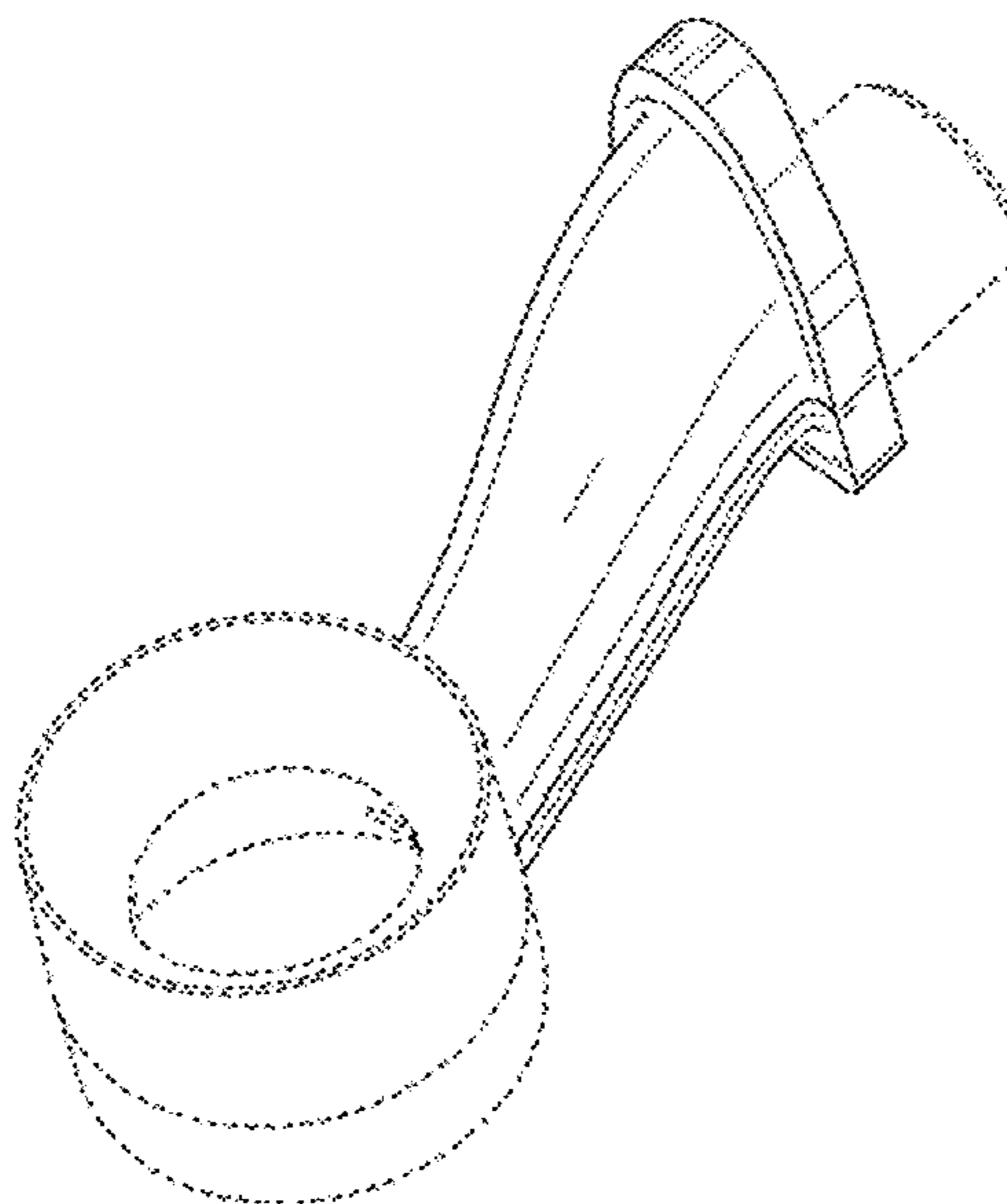
FIG. 6 is a top plan view of the winged down leg booster for the carburetor of FIG. 1.

FIG. 7 is a bottom plan view of the winged down leg booster for the carburetor of FIG. 1; and,

FIG. 8 is a perspective view of the winged down leg booster for a carburetor of FIG. 1 shown in an exemplary carburetor.

The broken lines used in the figures are for illustrative purposes only and form no part of the claimed design.

1 Claim, 5 Drawing Sheets



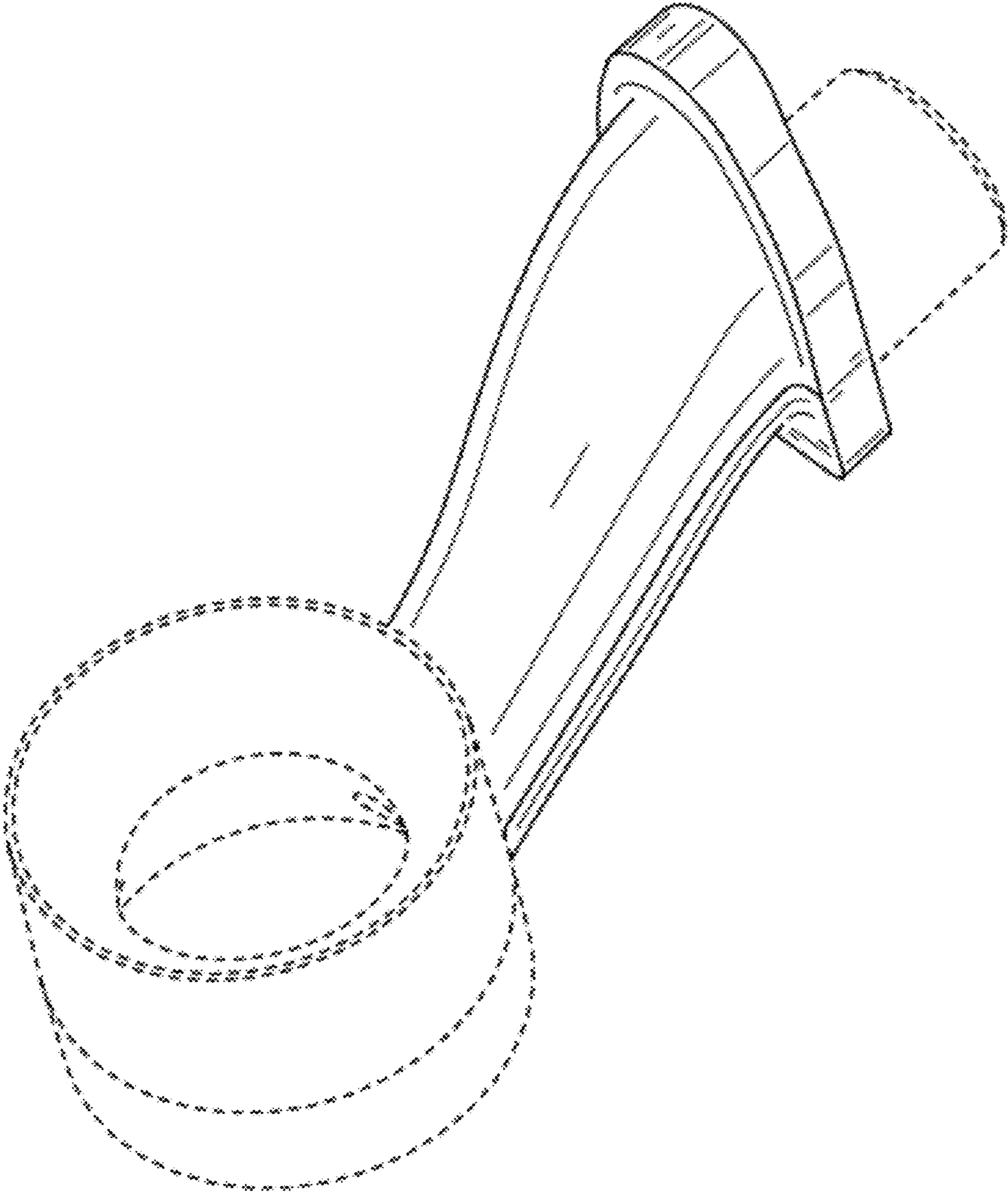


FIG. 1

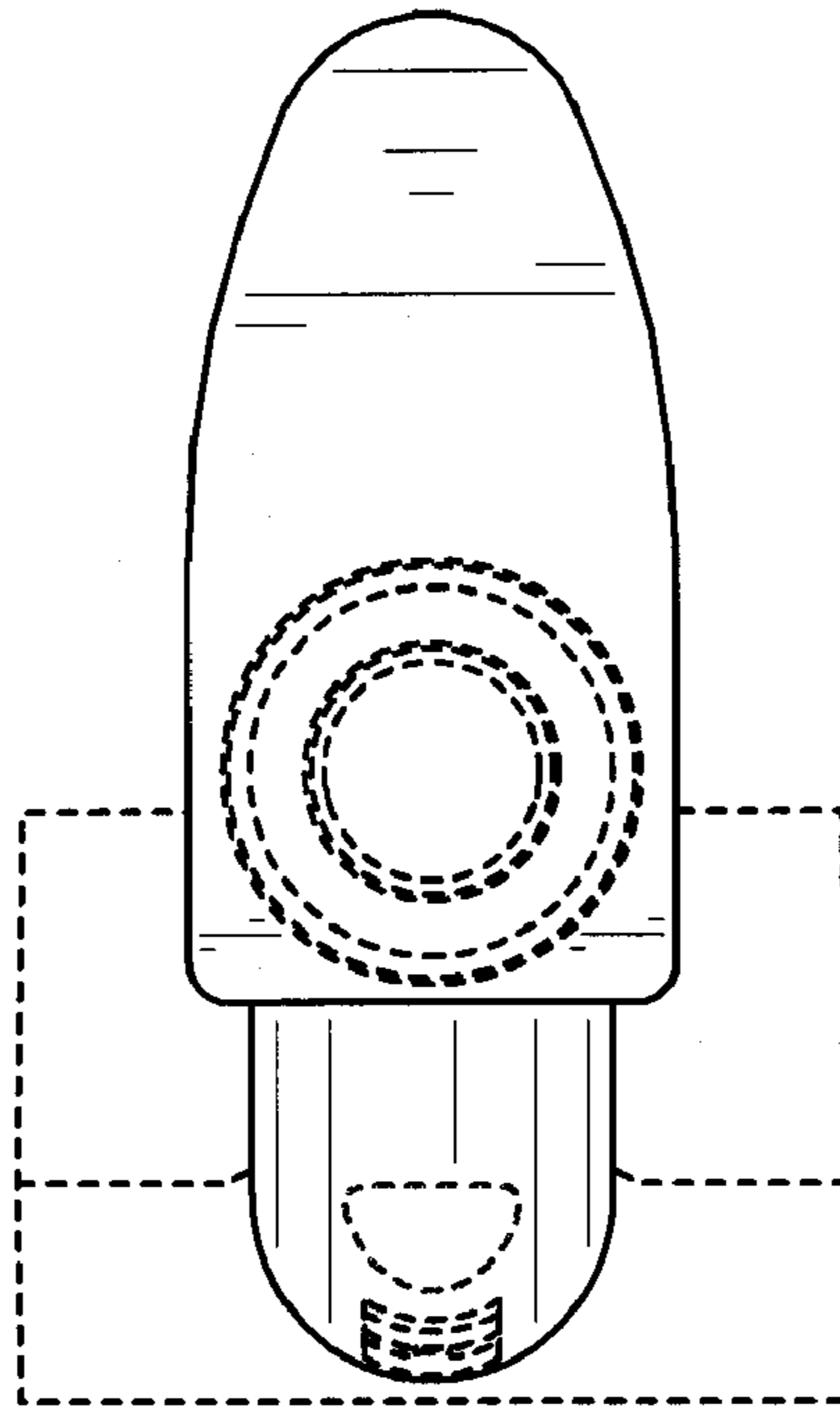


FIG. 2

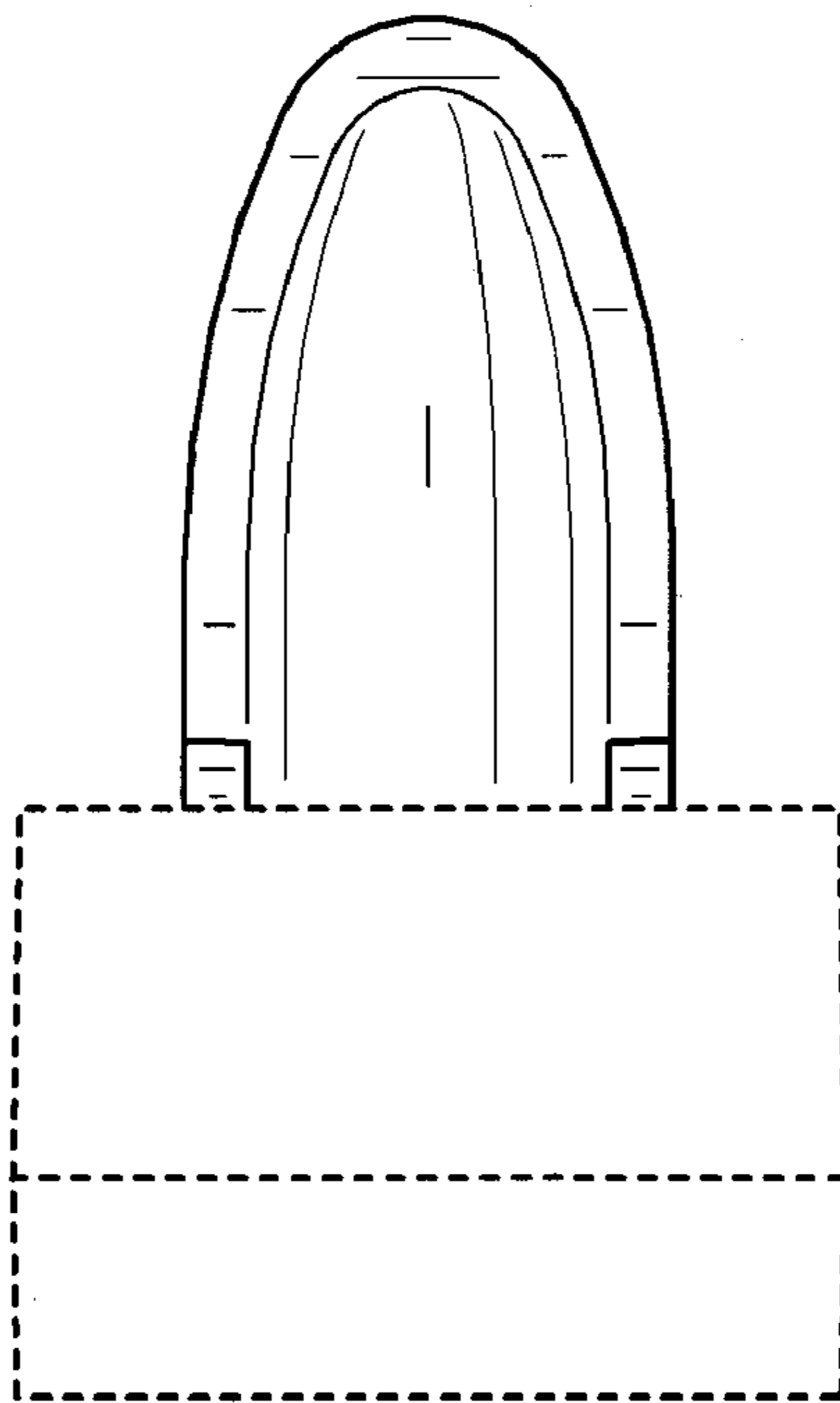


FIG. 3

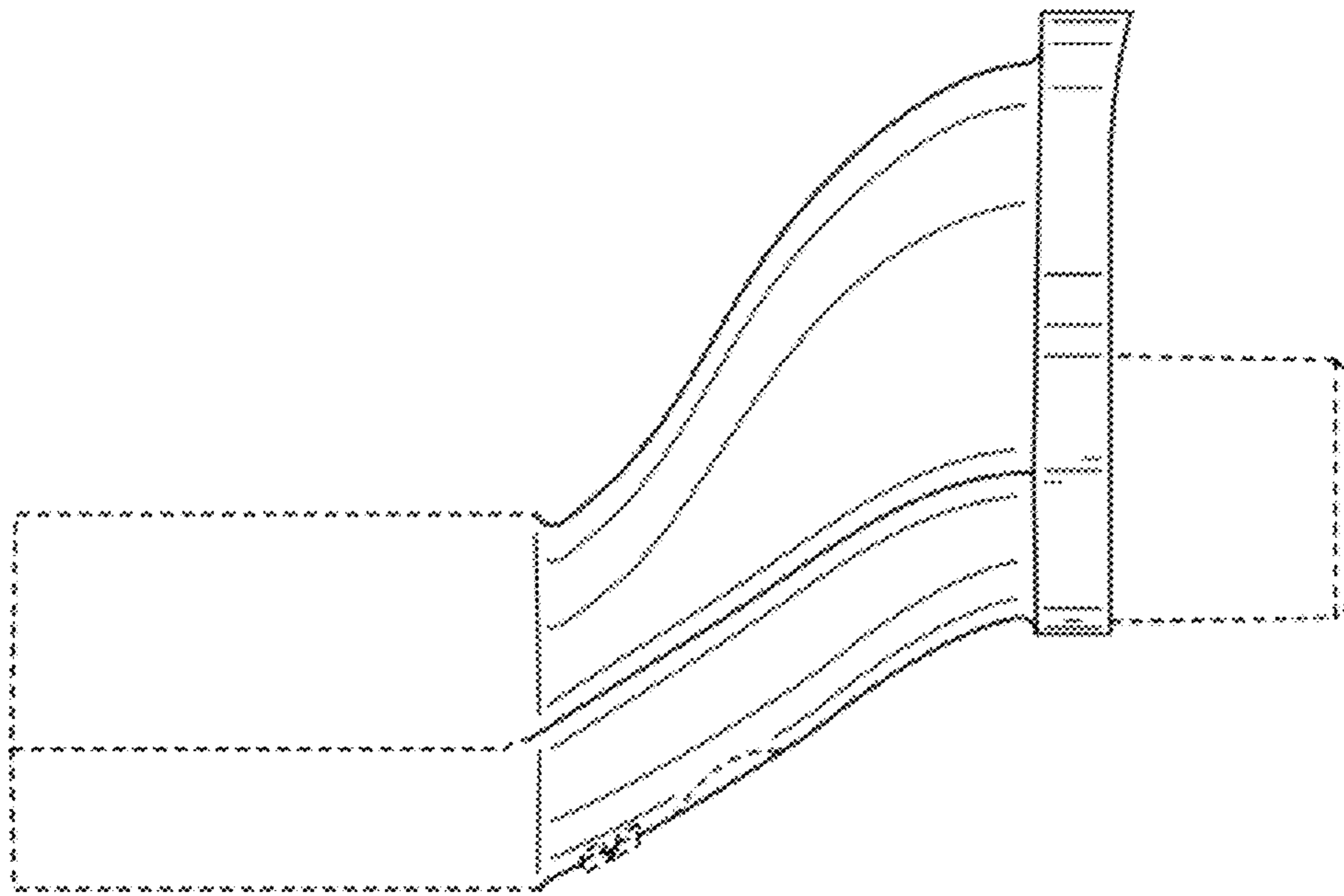


FIG. 4

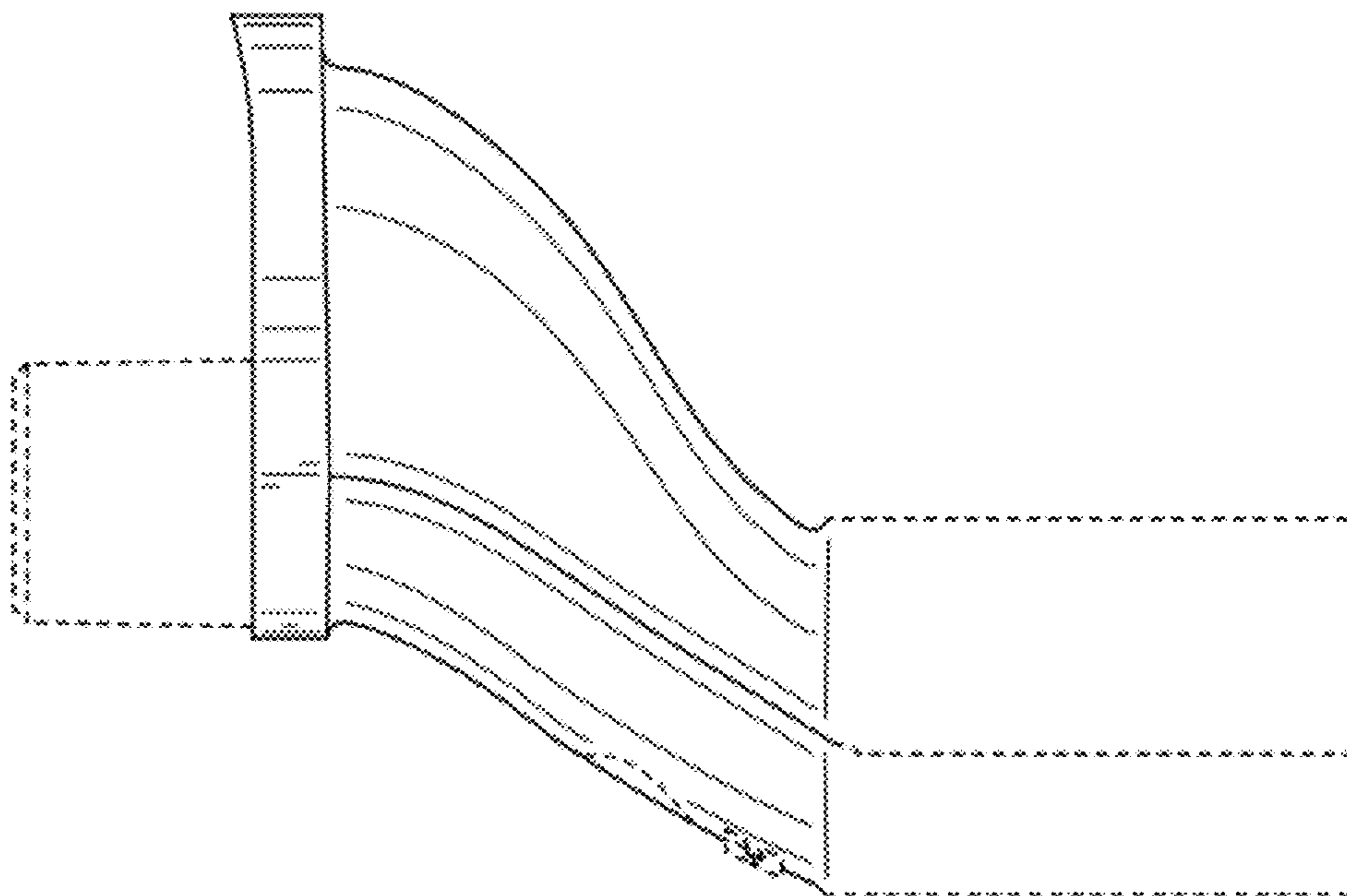


FIG. 5

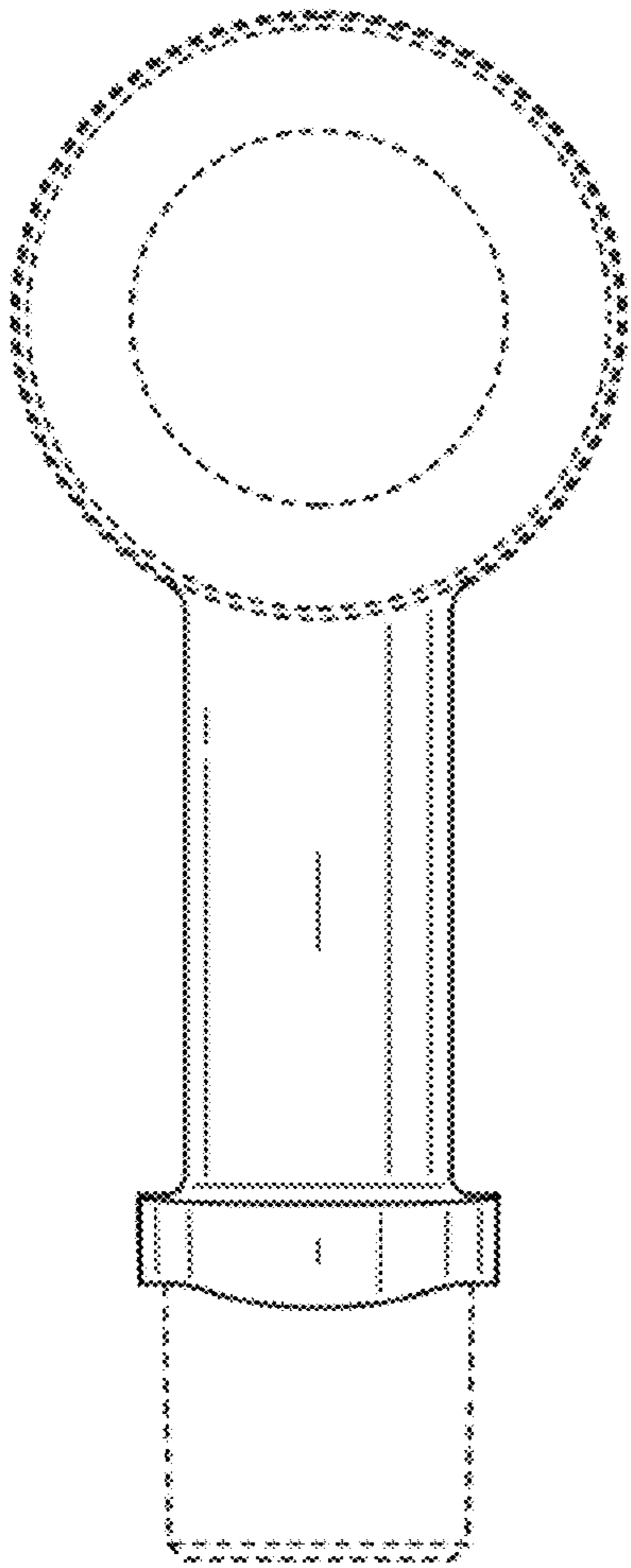


FIG. 6

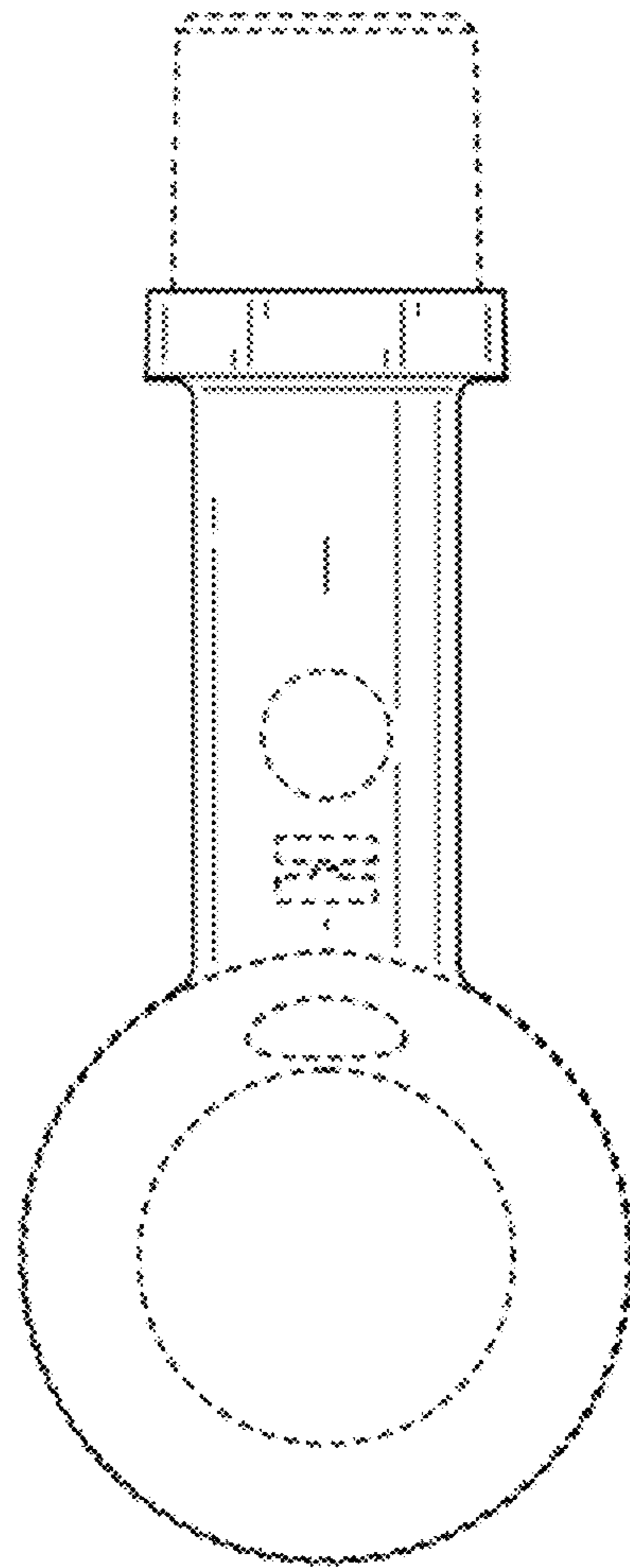


FIG. 7

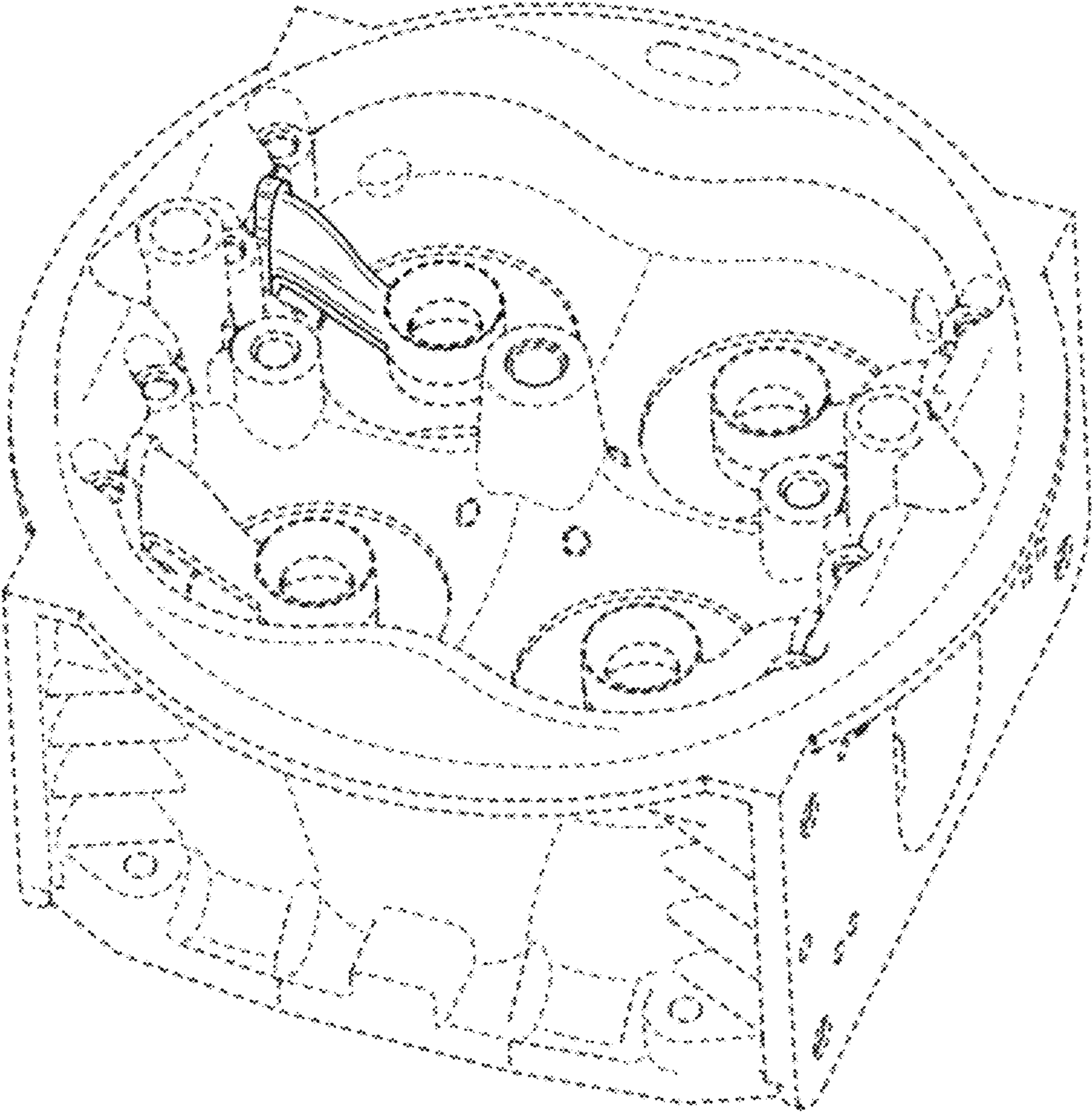


FIG. 8