



US00D659163S

(12) **United States Design Patent**  
**Akana et al.**

(10) **Patent No.:** **US D659,163 S**  
(45) **Date of Patent:** **\*\* May 8, 2012**

(54) **DISPLAY MODULE FOR AN ELECTRONIC DEVICE**

(75) Inventors: **Jody Akana**, San Francisco, CA (US); **Bartley K. Andre**, Menlo Park, CA (US); **Jeremy Bataillou**, San Francisco, CA (US); **Daniel J. Coster**, San Francisco, CA (US); **Daniele De Iuliis**, San Francisco, CA (US); **Evans Hankey**, San Francisco, CA (US); **Richard P. Howarth**, San Francisco, CA (US); **Jonathan P. Ive**, San Francisco, CA (US); **Duncan Robert Kerr**, San Francisco, CA (US); **Stephen Brian Lynch**, Portola Valley, CA (US); **Shin Nishibori**, Portola Valley, CA (US); **Matthew Dean Rohrbach**, San Francisco, CA (US); **Peter Russell-Clarke**, San Francisco, CA (US); **Emery Artemus Sanford**, San Francisco, CA (US); **Christopher J. Stringer**, Woodside, CA (US); **Eugene Antony Whang**, San Francisco, CA (US); **Rico Zorkendorfer**, San Francisco, CA (US)

(73) Assignee: **Apple Inc.**, Cupertino, CA (US)

(\*\*) Term: **14 Years**

(21) Appl. No.: **29/404,013**

(22) Filed: **Oct. 13, 2011**

**Related U.S. Application Data**

(63) Continuation of application No. 29/368,957, filed on Aug. 31, 2010, now Pat. No. Des. 647,106, which is a continuation of application No. 29/367,996, filed on Aug. 16, 2010, now Pat. No. Des. 638,030.

(51) **LOC (9) Cl.** ..... **14-03**

(52) **U.S. Cl.** ..... **D14/496; D14/203.3**

(58) **Field of Classification Search** ..... D14/496, D14/401, 435, 474, 483, 217, 137, 138, 160, D14/168, 356, 203.1–203.8, 507; 345/156, 345/169, 173–179, 905; 715/727–729, 864; 710/1, 5, 8; 713/1, 600; 455/1.1, 1.7, 73, 455/344–347, 93, 95, 3.01–3.06, 550.1, 573.1; 370/342–344; 369/1, 2, 6–12; 463/43–47; 273/148 B

See application file for complete search history.

(56) **References Cited**

**U.S. PATENT DOCUMENTS**

4,959,810 A \* 9/1990 Darbee et al. .... 398/112  
5,081,534 A \* 1/1992 Geiger et al. .... 348/734  
D340,701 S \* 10/1993 Takeuchi ..... D14/341

(Continued)

**OTHER PUBLICATIONS**

“Electronics” magazine “Your touch-screen business partner,” Dec. 2009, 1 page, Feb. 28, 2012.

*Primary Examiner* — Prabhakar Deshmukh

(74) *Attorney, Agent, or Firm* — Sterne, Kessler, Goldstein & Fox PLLC

(57) **CLAIM**

The ornamental design for a display module for an electronic device, as shown and described.

**DESCRIPTION**

FIG. 1 is a front bottom perspective view of a display module for an electronic device showing our new design;

FIG. 2 is a front view thereof;

FIG. 3 is a rear view thereof;

FIG. 4 is a bottom view thereof;

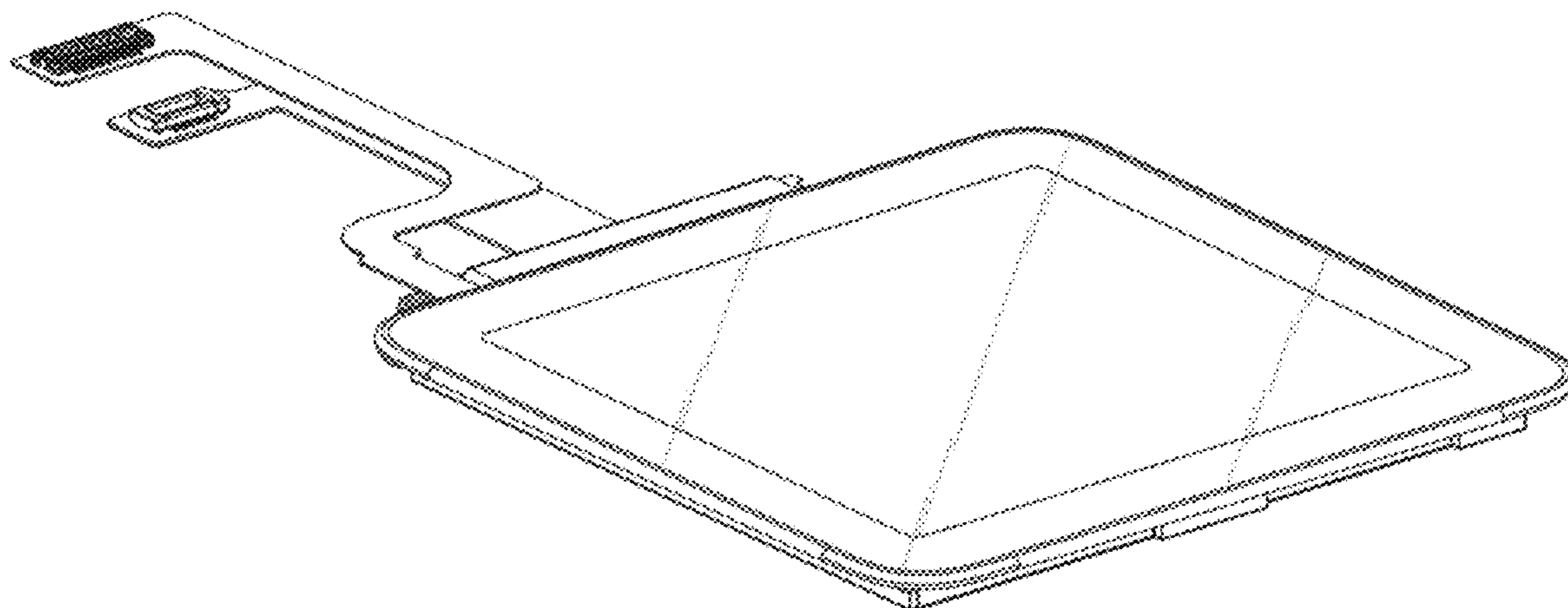
FIG. 5 is a top view thereof;

FIG. 6 is a side view thereof; and,

FIG. 7 is another side view thereof.

The shade lines in the Figures show transparency.

**1 Claim, 5 Drawing Sheets**



# US D659,163 S

Page 2

---

## U.S. PATENT DOCUMENTS

D361,552 S *	8/1995	Iino .....	D14/341	D441,735 S	5/2001	Katayama	
D371,387 S *	7/1996	Wooock .....	D19/20	D459,339 S	6/2002	Tong	
D379,090 S *	5/1997	Maekawa et al. ....	D14/374	6,567,011 B1	5/2003	Young et al.	
5,665,938 A *	9/1997	Boshear et al. ....	174/50	D478,076 S	8/2003	Hong	
5,715,622 A *	2/1998	Giordano, Jr. ....	40/661.03	D488,472 S	4/2004	Haase et al.	
5,808,862 A *	9/1998	Robbins .....	361/679.09	D517,065 S	3/2006	Ko et al.	
D408,794 S *	4/1999	Ogasawara .....	D14/341	7,055,271 B2 *	6/2006	Lutz et al. ....	40/605
5,953,144 A *	9/1999	Darbee et al. ....	398/112	D546,202 S	7/2007	Chang	
6,040,829 A *	3/2000	Croy et al. ....	715/864	D556,193 S	11/2007	Laituri et al.	

\* cited by examiner

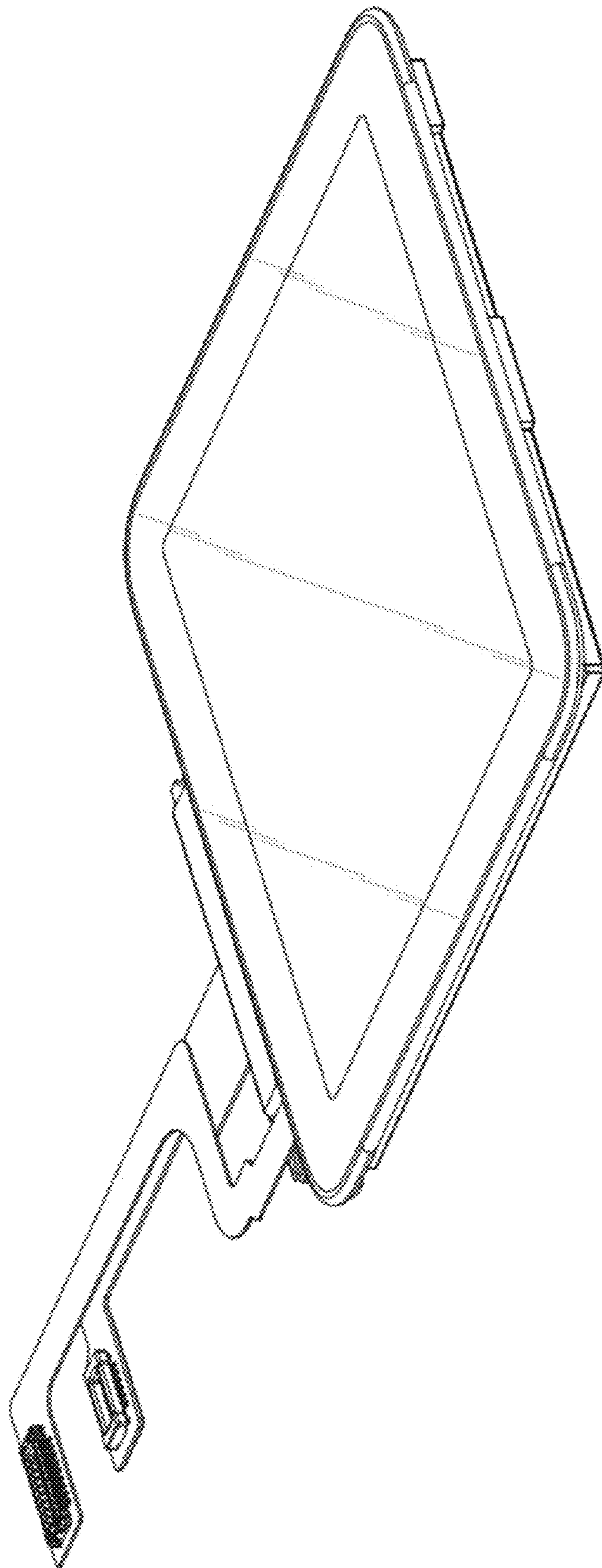


FIG. 1

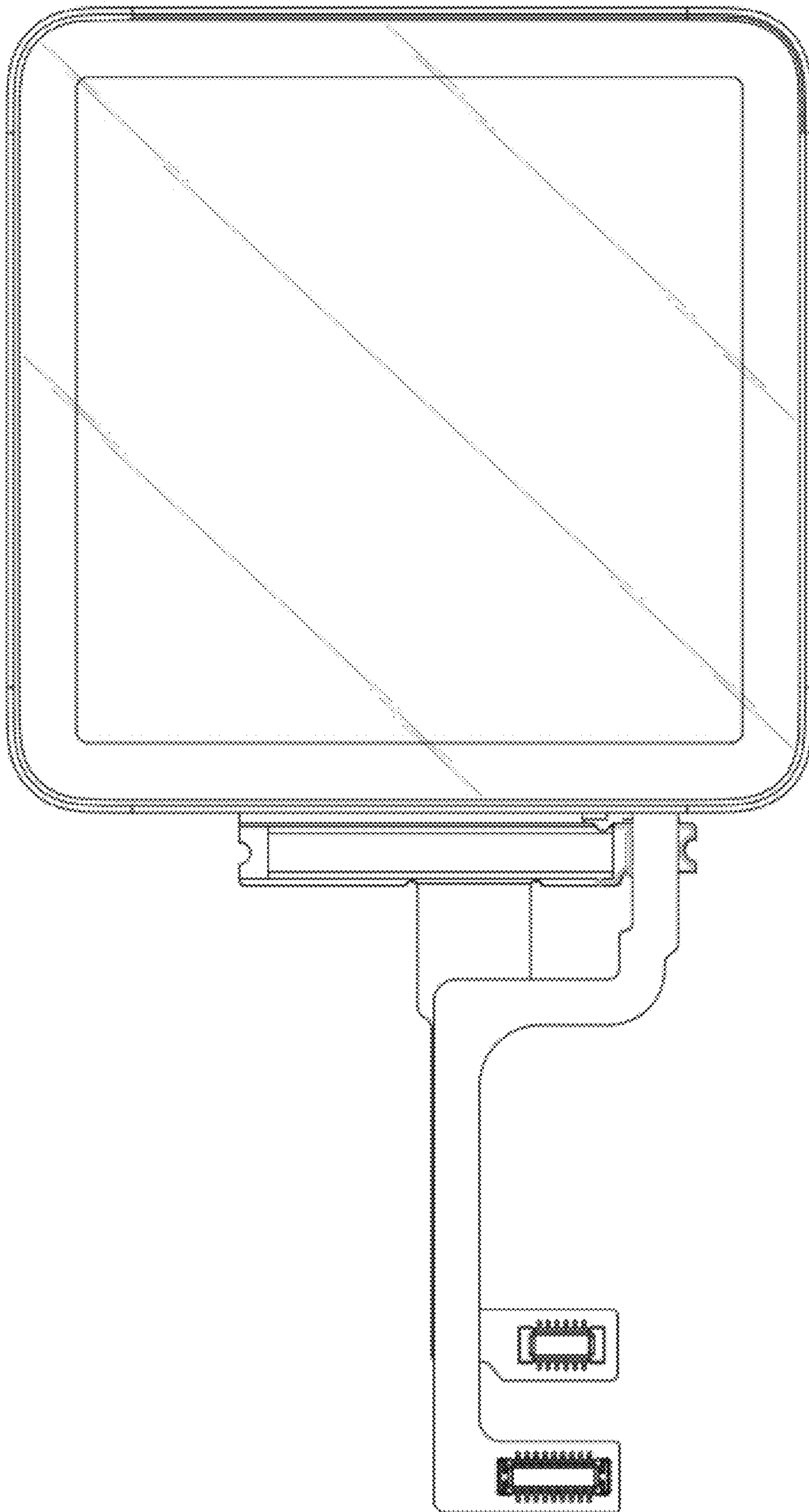


FIG. 2

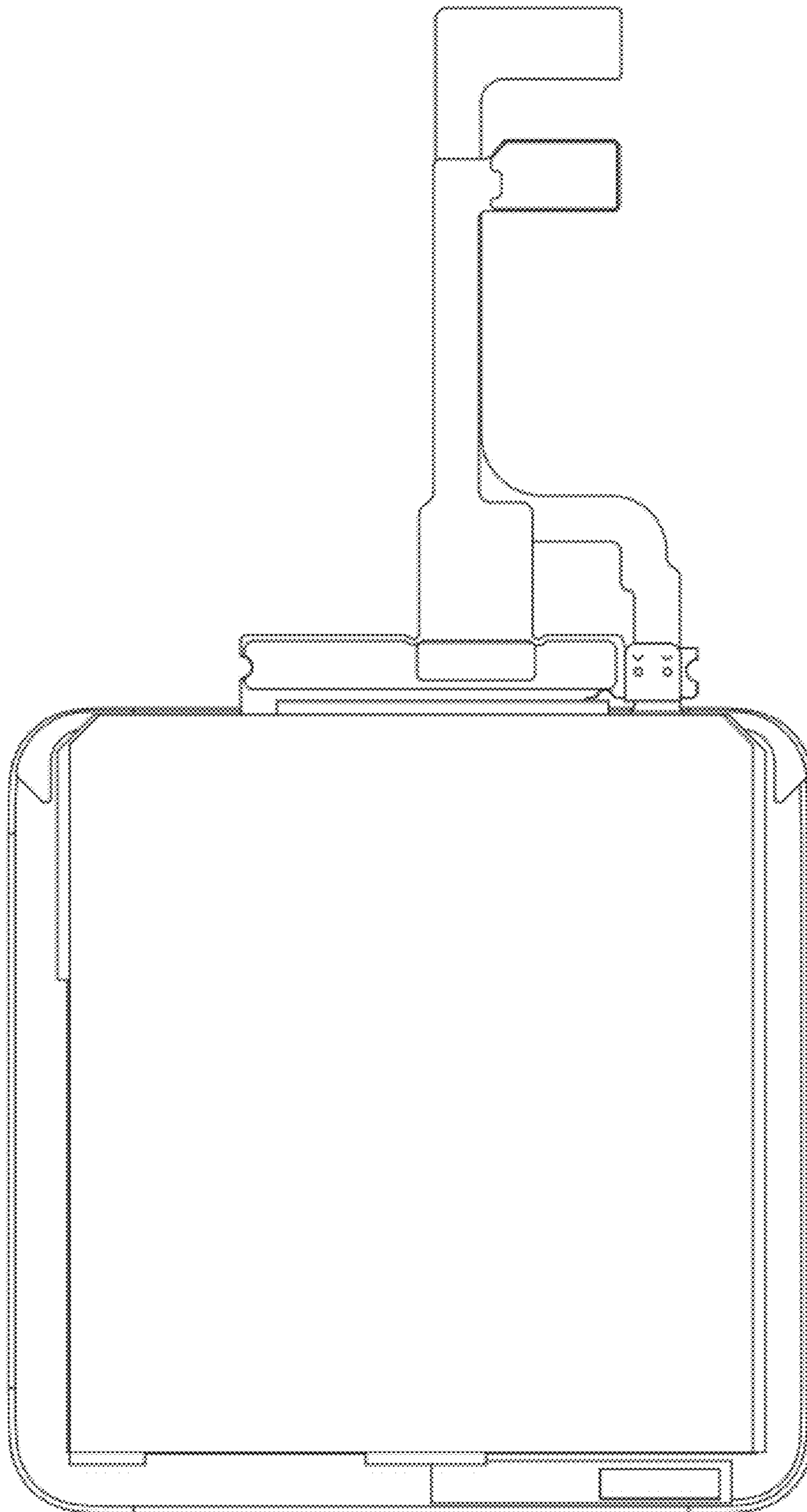


FIG. 3

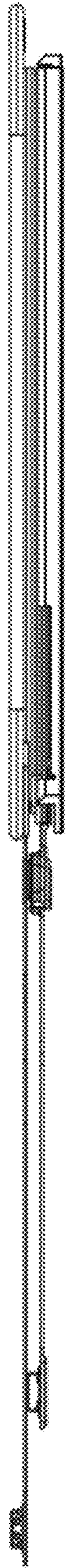


FIG. 4

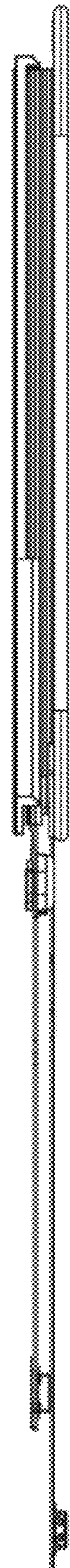


FIG. 5

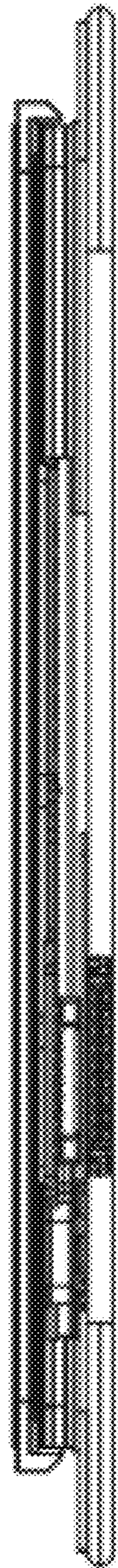


FIG. 6

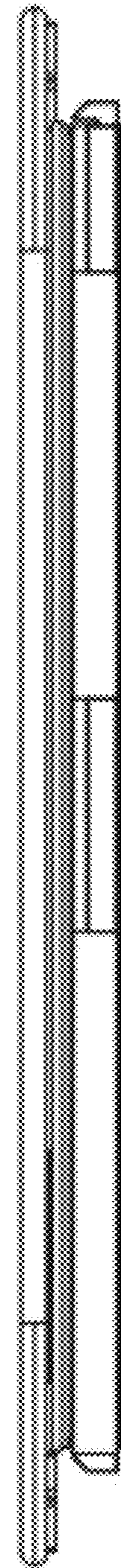


FIG. 7