



US00D659152S

(12) **United States Design Patent**
Oda et al.

(10) **Patent No.:** **US D659,152 S**
(45) **Date of Patent:** **** May 8, 2012**

(54) **ELECTRONIC CAMERA**

(75) Inventors: **Akemi Oda**, Tokyo (JP); **Chinatsu Watanabe**, Tokyo (JP); **Yuuki Okabe**, Tokyo (JP); **Atsushi Misawa**, Saitama (JP)

(73) Assignee: **FUJIFILM Corporation**, Tokyo (JP)

(**) Term: **14 Years**

(21) Appl. No.: **29/384,841**

(22) Filed: **Feb. 4, 2011**

Related U.S. Application Data

(62) Division of application No. 29/363,591, filed on Jun. 11, 2010, now Pat. No. Des. 633,509, which is a division of application No. 29/350,551, filed on Nov. 18, 2009, now Pat. No. Des. 622,729, which is a division of application No. 29/274,033, filed on Mar. 22, 2007, now Pat. No. Des. 609,714.

(51) **LOC (9) Cl.** **32-00**

(52) **U.S. Cl.** **D14/485**

(58) **Field of Classification Search** D14/485-495; D18/24-33; D19/6, 52; D20/11; D21/324-333; 715/700-867, 973-977; 345/757, 782, 848, 345/852, 850, 809, 837, 798, 752, 163, 156, 345/537, 474, 836, 419, 649, 656, 659, 426, 345/427, 582, 428, 440, 660, 634, 902, 418, 345/629, 700, 744, 747, 473, 60; 705/10, 705/5; 709/223; 348/207.1, E5.024, E5.042, 348/E5.047, 333.12, 333.02, 333.01, 373, 348/207.11, 207.2, 211.1, 376, 231.99, 323, 348/333.05, 231.5, E5.045, E5.055, 333.11; 396/299, 291, 311; 710/35, 36, 38; D16/220

See application file for complete search history.

(56) **References Cited**

U.S. PATENT DOCUMENTS

5,235,380 A 8/1993 Yamada et al.
5,530,795 A 6/1996 Wan
5,708,786 A 1/1998 Teruuchi

5,727,174 A 3/1998 Aparicio et al.
5,754,230 A 5/1998 Tsuruta
5,862,419 A 1/1999 Goto et al.
5,903,309 A 5/1999 Anderson
5,920,313 A 7/1999 Diedrichsen et al.
5,986,703 A 11/1999 O'Mahony
6,006,038 A 12/1999 Kosako
D423,484 S 4/2000 Dangelmaier et al.
6,075,531 A 6/2000 DeStefano
D430,885 S 9/2000 Coleman
6,154,210 A 11/2000 Anderson
6,232,970 B1 5/2001 Bodnar et al.
6,300,951 B1 10/2001 Filetto et al.
6,310,648 B1 10/2001 Miller et al.
6,313,877 B1 11/2001 Anderson
6,411,337 B2 6/2002 Cove et al.
6,542,168 B2 4/2003 Negishi
6,549,304 B1 4/2003 Dow et al.
6,597,358 B2 7/2003 Miller

(Continued)

FOREIGN PATENT DOCUMENTS

JP 2000066281 3/2000

(Continued)

Primary Examiner — Susan Moon Lee

(74) *Attorney, Agent, or Firm* — Young & Thompson

(57) **CLAIM**

We claim the ornamental design for an electronic camera, as shown and described.

DESCRIPTION

FIG. 1 is a front view of an electronic camera according to a first embodiment of the present design;
FIG. 2 is a rear view thereof;
FIG. 3 is a top view thereof;
FIG. 4 is a bottom view thereof;
FIG. 5 is a right side view thereof; and
FIG. 6 is a left side view thereof.
FIG. 7 is a front view of the electronic camera according to a second embodiment of the present design;
FIG. 8 is a rear view thereof;
FIG. 9 is a top view thereof;
FIG. 10 is a bottom view thereof;
FIG. 11 is a right side view thereof; and
FIG. 12 is a left side view thereof.
The portions shown in broken line are not claimed.

1 Claim, 6 Drawing Sheets

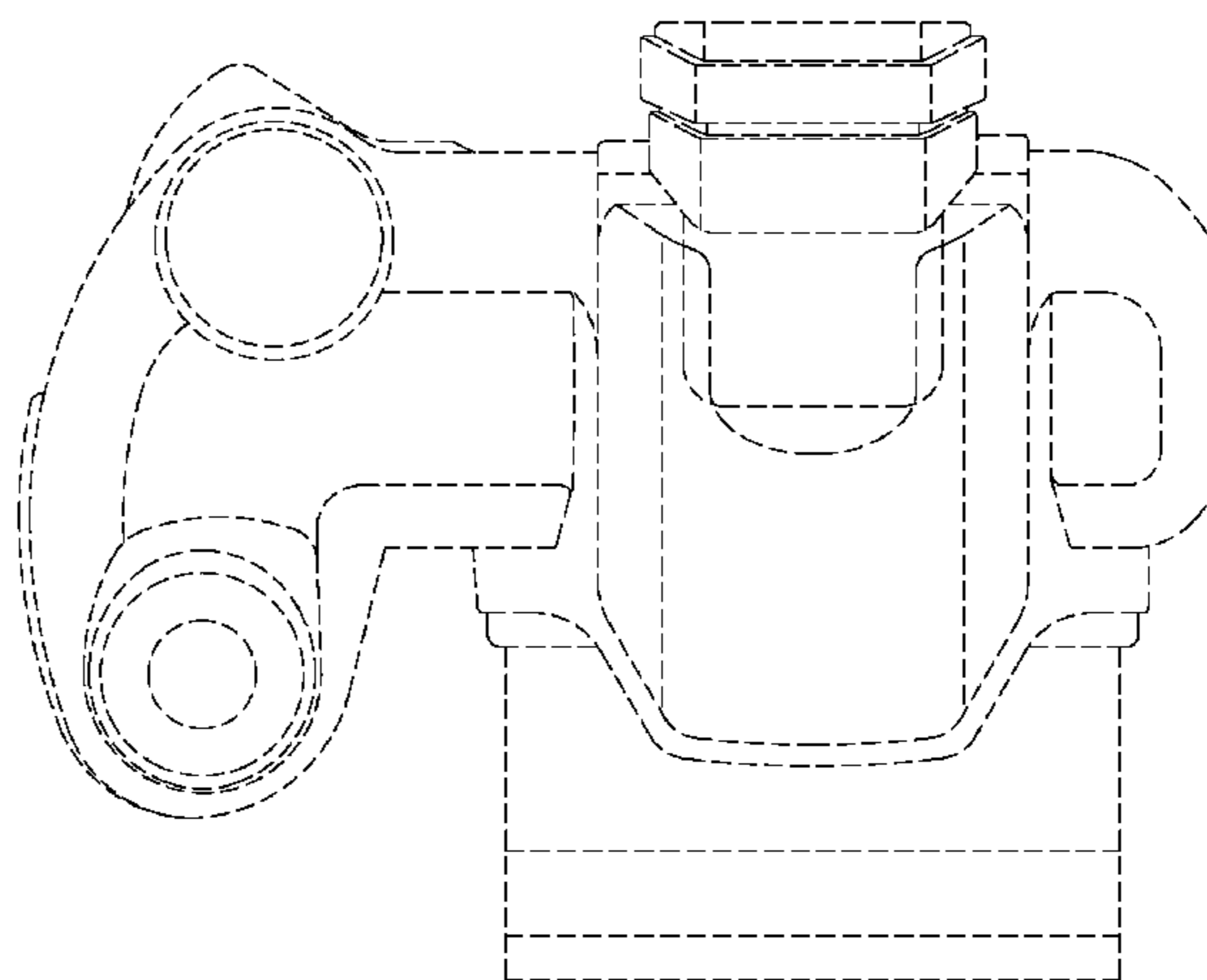
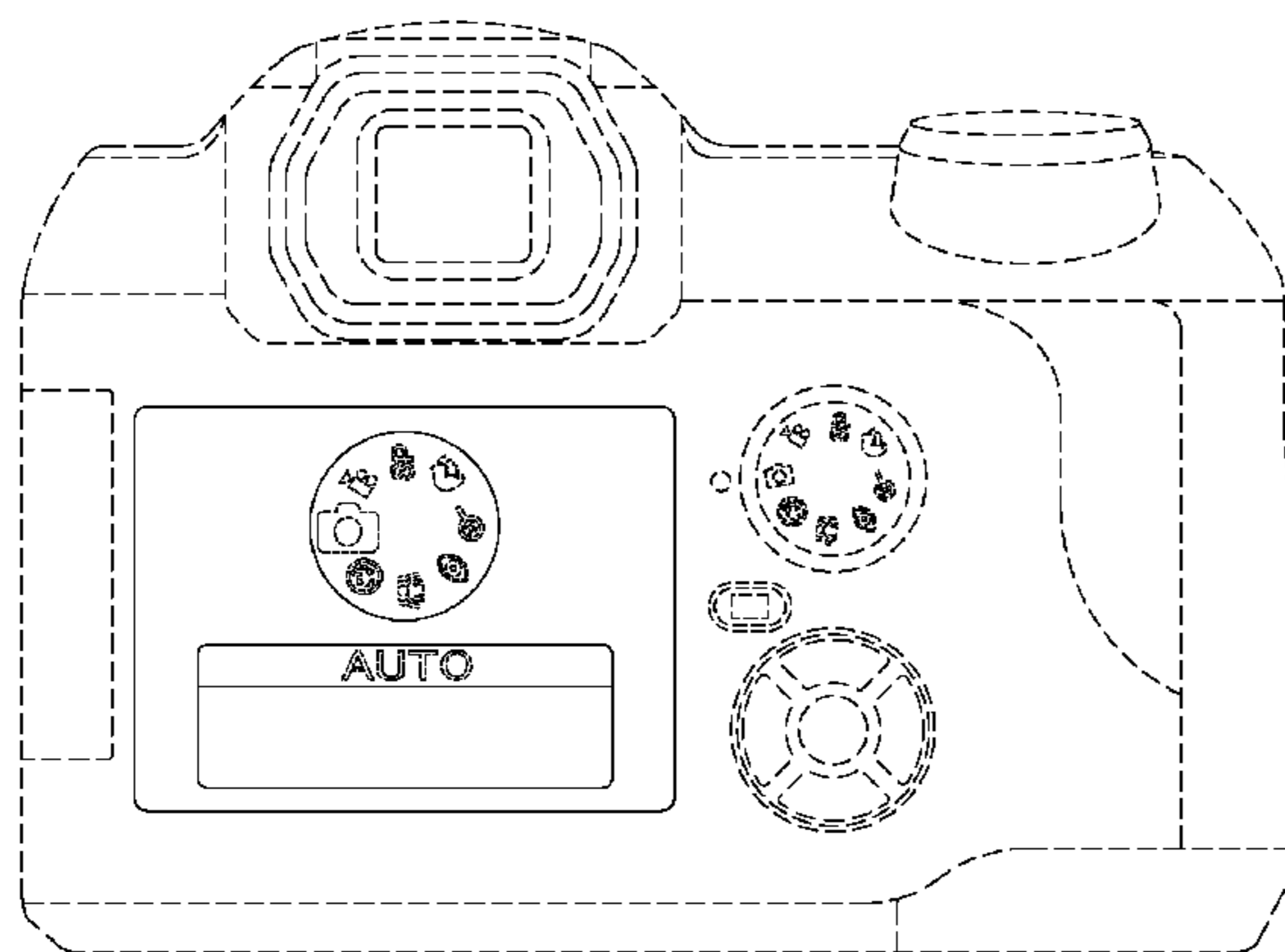


FIG. 1

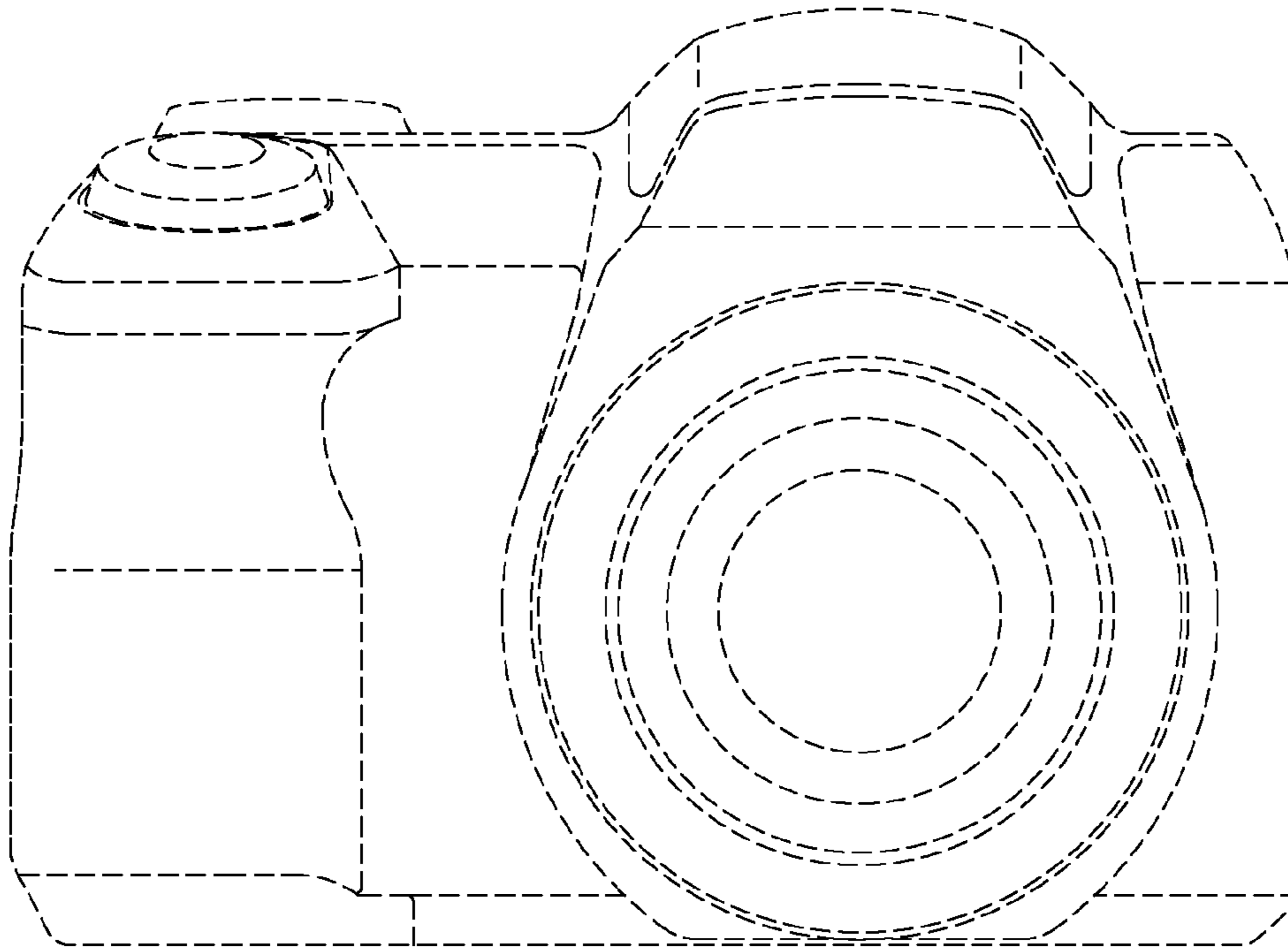


FIG. 2

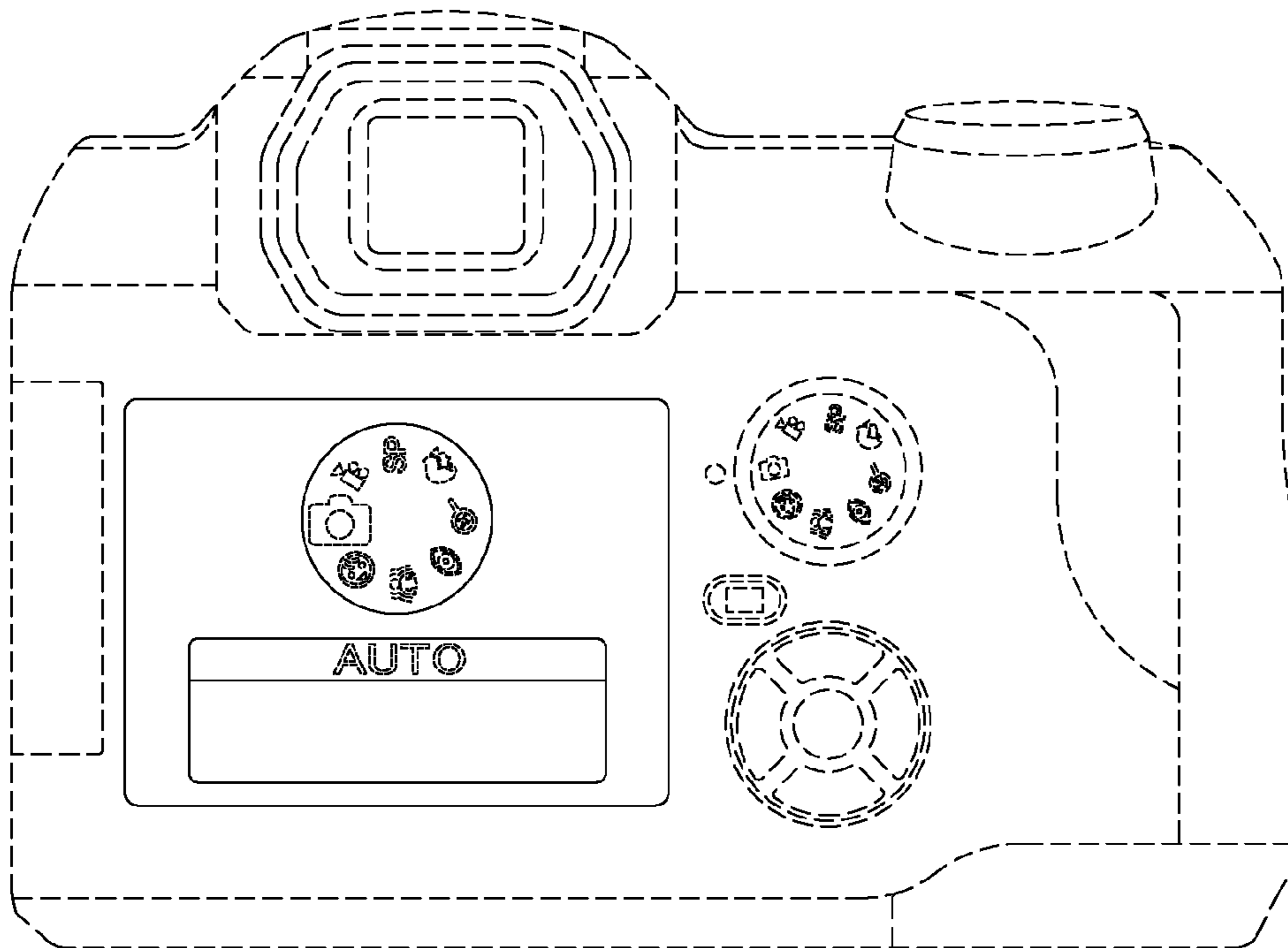


FIG. 3

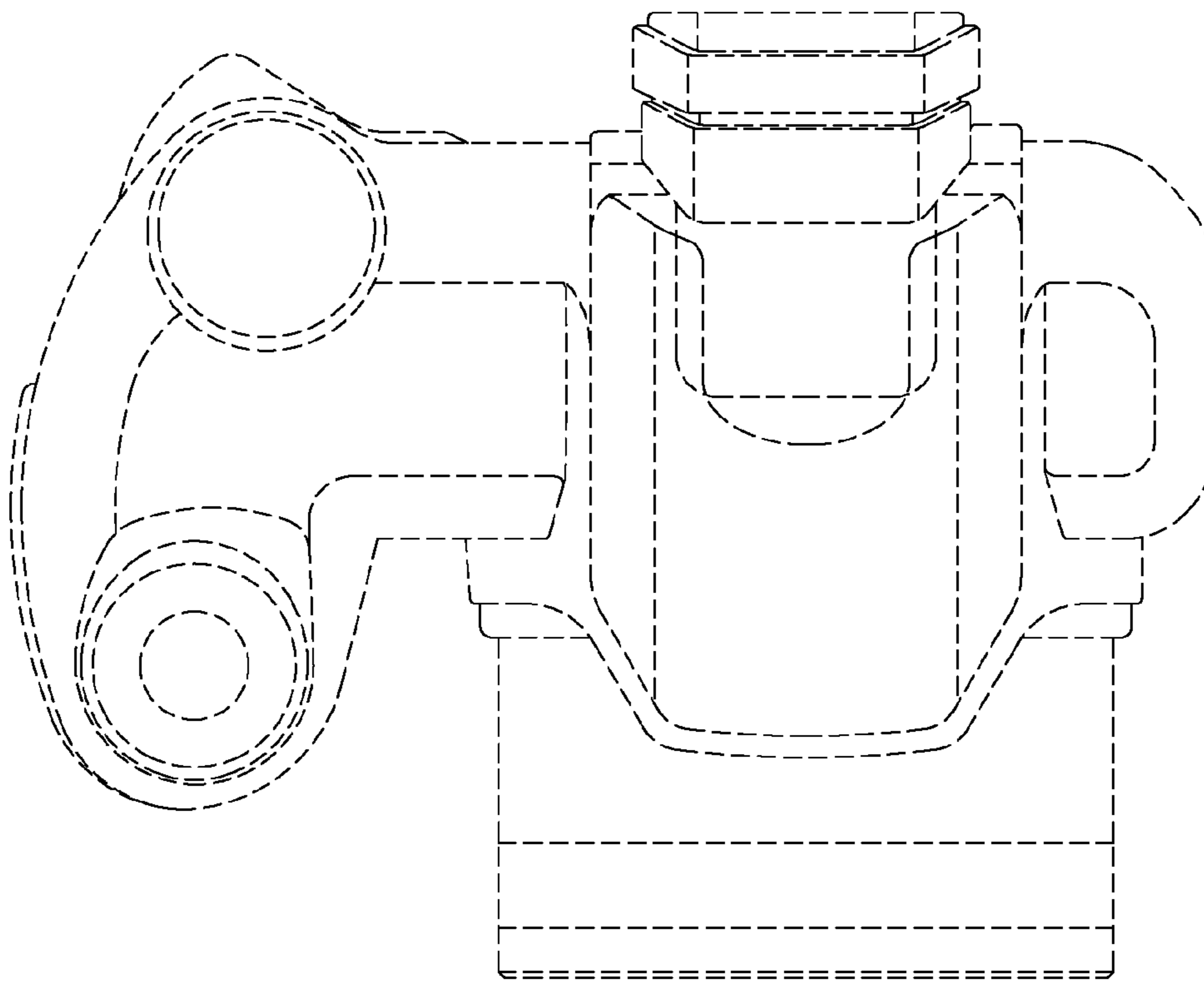


FIG. 4

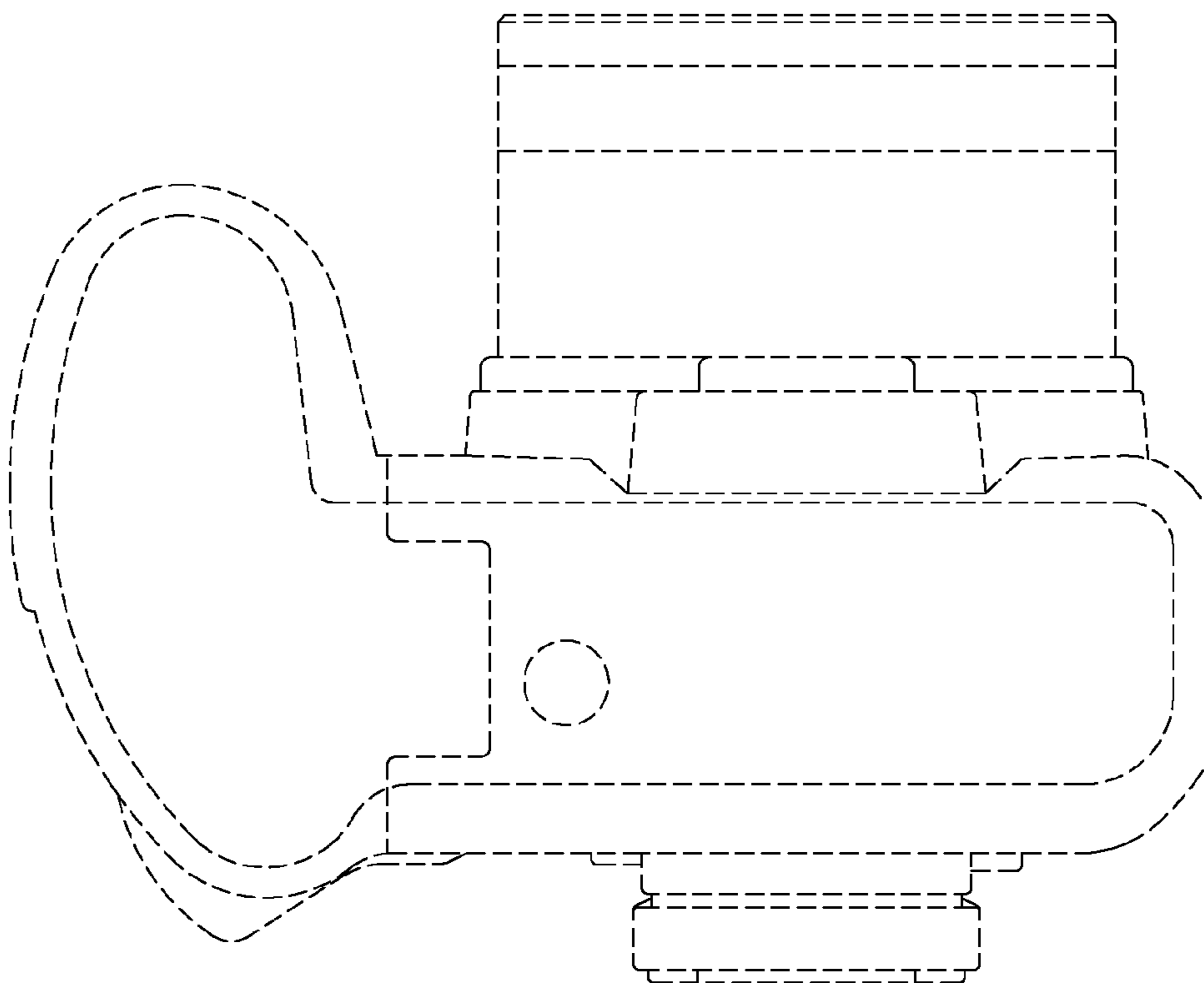


FIG. 5

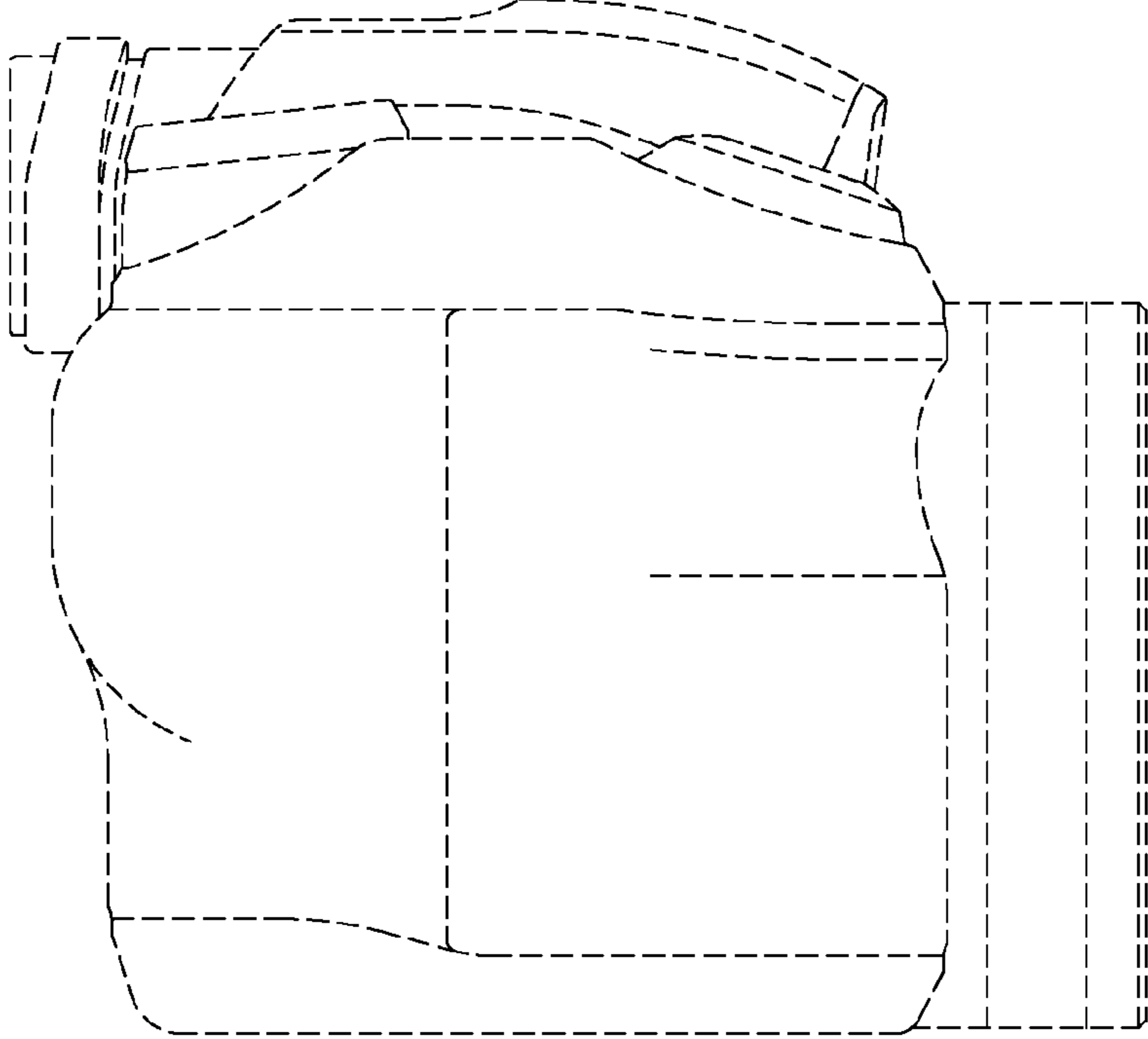


FIG. 6

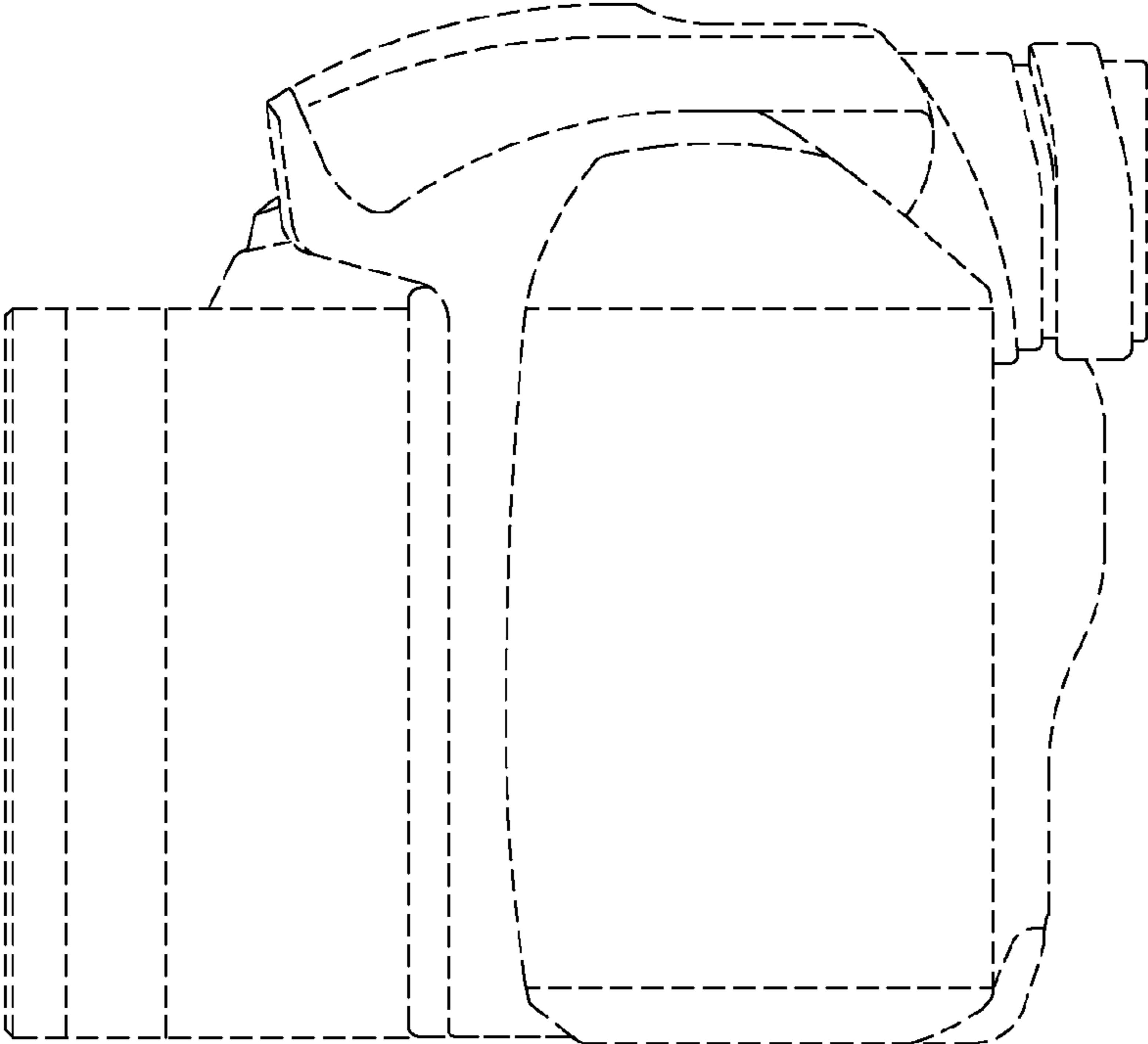


FIG. 7

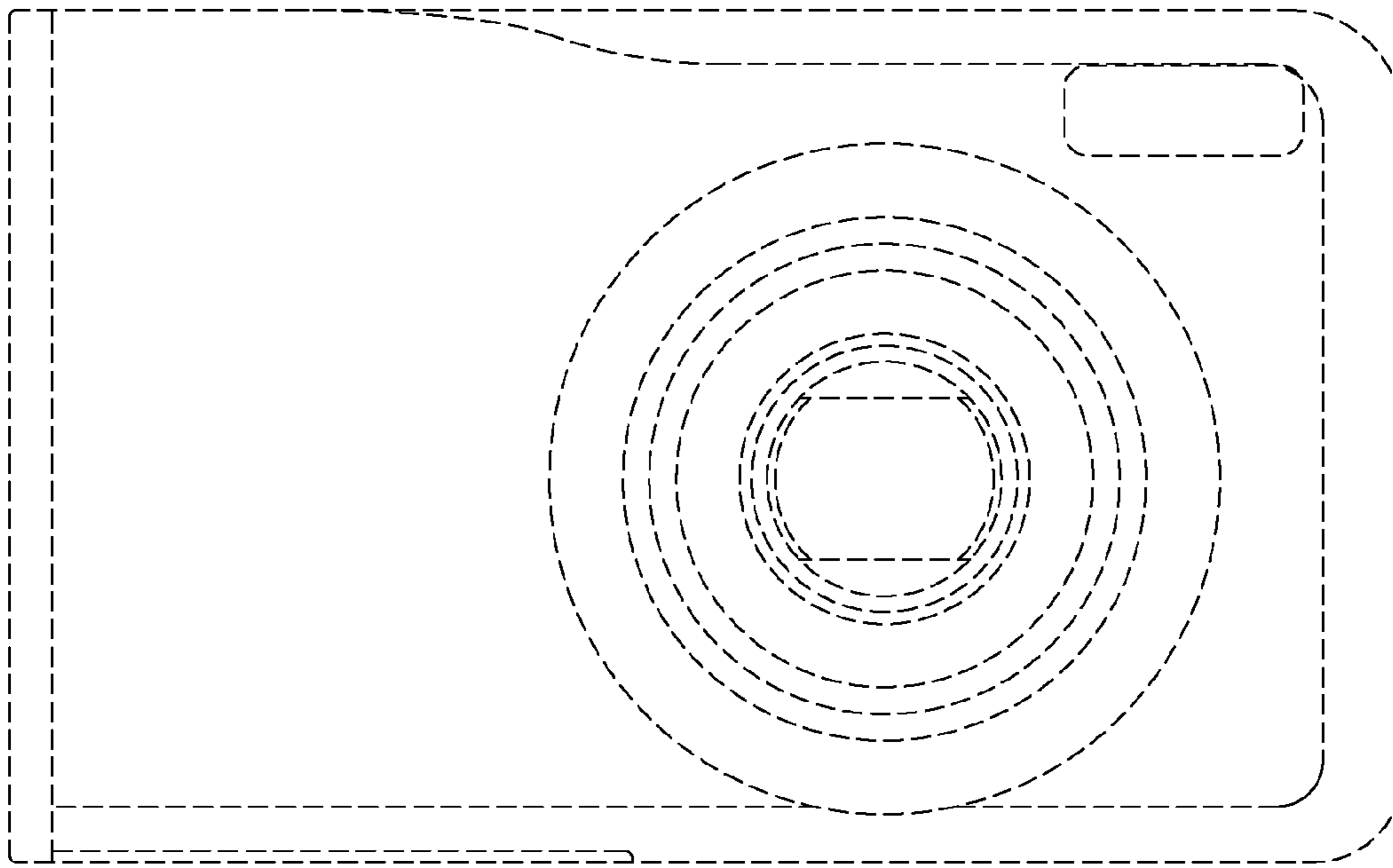


FIG. 8

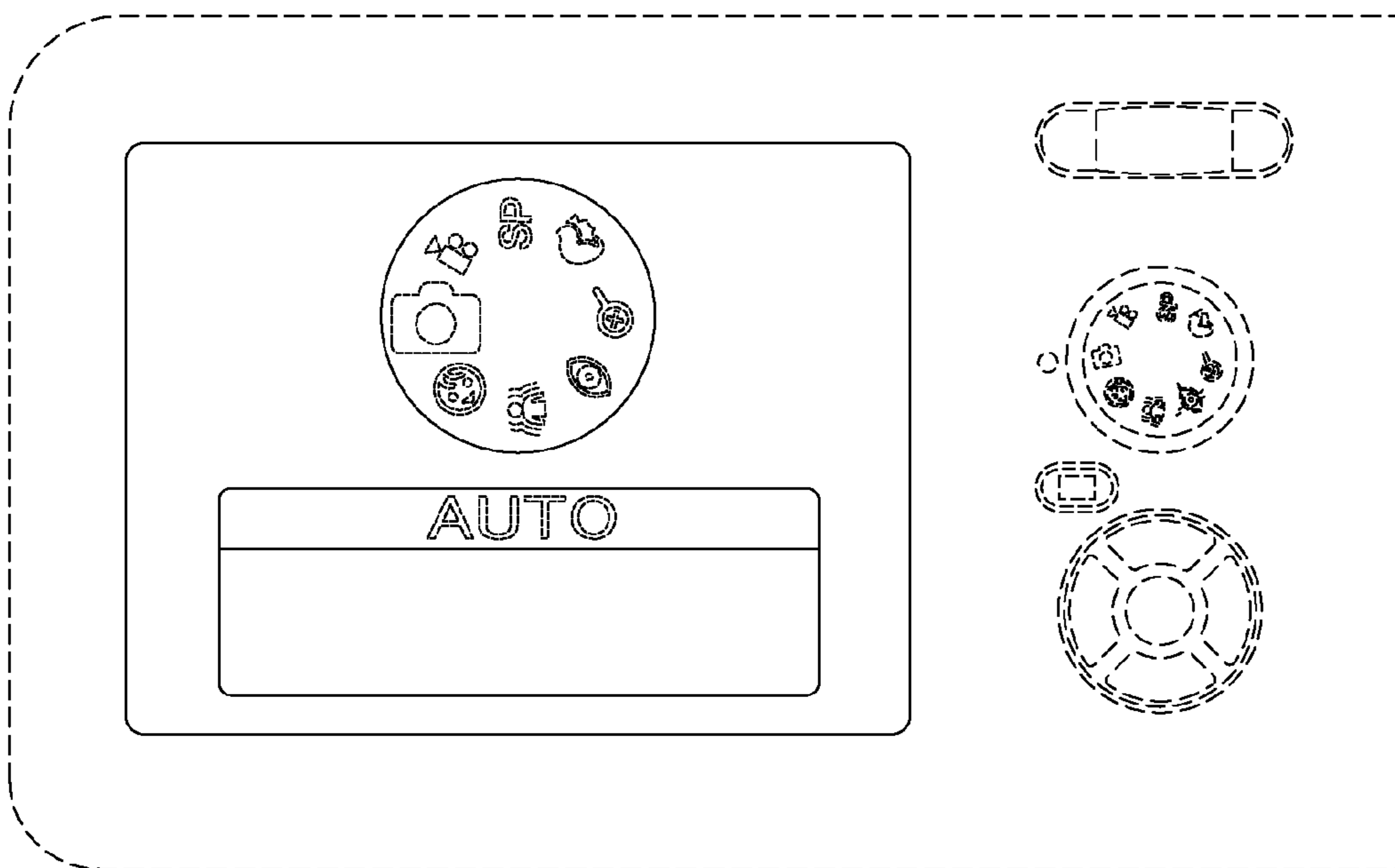


FIG. 9



FIG. 10

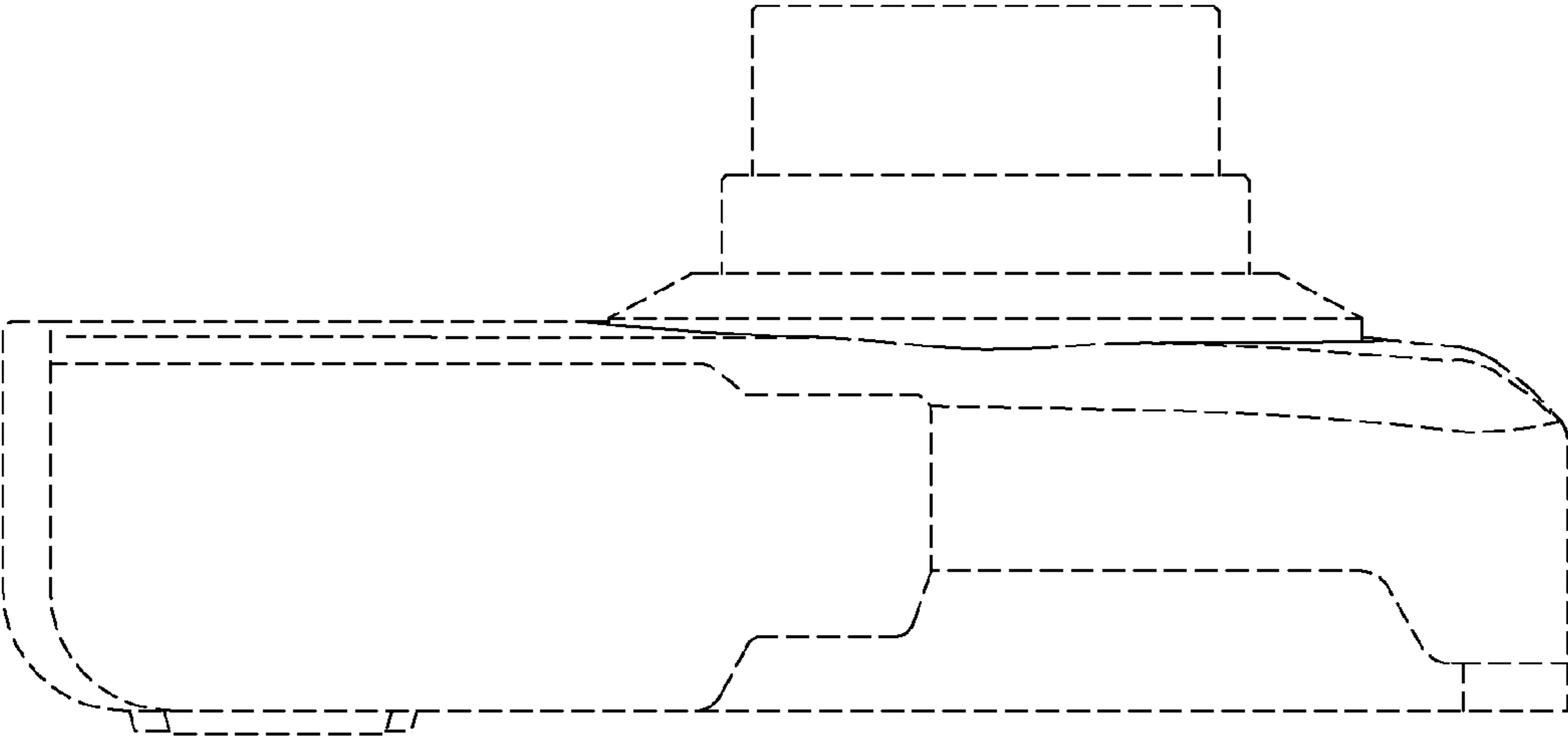


FIG. 11

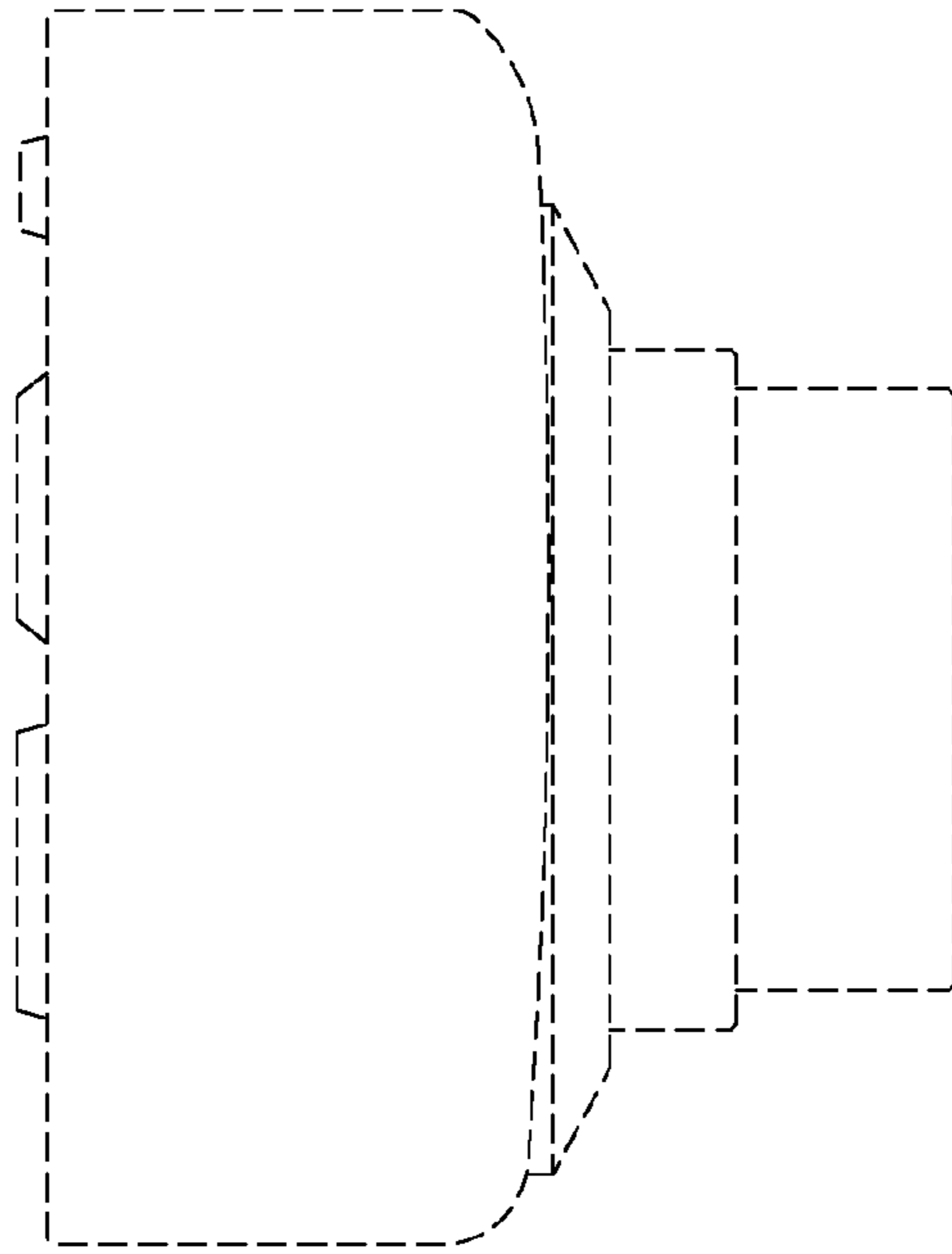


FIG. 12

