



US00D659148S

(12) **United States Design Patent**
Sapper et al.

(10) **Patent No.:** **US D659,148 S**

(45) **Date of Patent:** **** May 8, 2012**

(54) **SUPPORT ARM MOUNTING PLATE WITH WRENCH**

(75) Inventors: **Richard Sapper**, Milan (IT); **Ronald Snyder**, Macungie, PA (US)

(73) Assignee: **Knoll, Inc.**, East Greenville, PA (US)

(**) Term: **14 Years**

(21) Appl. No.: **29/378,344**

(22) Filed: **Nov. 3, 2010**

Related U.S. Application Data

(60) Continuation of application No. 29/346,725, filed on Nov. 5, 2009, now Pat. No. Des. 629,808, which is a division of application No. 29/331,178, filed on Jan. 21, 2009, now Pat. No. Des. 606,548.

(51) **LOC (9) Cl.** **08-07**

(52) **U.S. Cl.** **D14/452**

(58) **Field of Classification Search** D14/452, D14/451, 448, 447, 239; D8/349, 363, 373, D8/380; 248/917-924, 122.1, 124.1, 125.8, 248/371, 393, 157, 425, 176.1, 186.1; 361/679.02, 361/679.04, 679.05, 679.06, 679.07, 679.21, 361/679.22

See application file for complete search history.

(56) **References Cited**

U.S. PATENT DOCUMENTS

D522,009	S	*	5/2006	Chen	D14/452
D558,562	S	*	1/2008	Ciungan et al.	D8/363
D561,748	S	*	2/2008	Sculler et al.	D14/239
D562,113	S	*	2/2008	Ciungan et al.	D8/363
D569,381	S	*	5/2008	Sculler et al.	D14/452

D581,916	S	*	12/2008	Sculler et al.	D14/239
7,529,083	B2	*	5/2009	Jeong	361/679.04
D606,548	S	*	12/2009	Sapper	D14/452
D621,842	S	*	8/2010	Sapper	D14/452
D629,808	S	*	12/2010	Sapper	D14/452
2007/0097618	A1	*	5/2007	Searby et al.	361/686
2007/0205340	A1	*	9/2007	Jung	248/125.9
2010/0044541	A1	*	2/2010	Sapper et al.	248/371

* cited by examiner

Primary Examiner — Angela J Lee

(74) *Attorney, Agent, or Firm* — Buchanan Ingersoll & Rooney PC

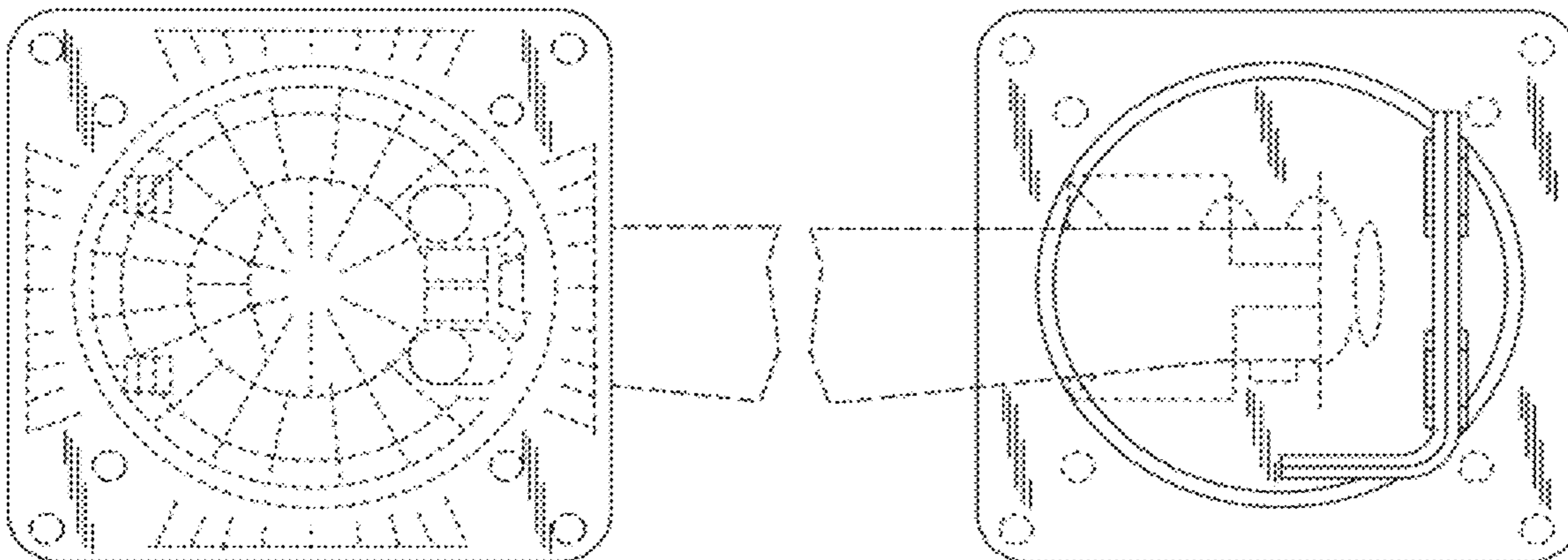
(57) **CLAIM**

The ornamental design for a support arm mounting plate with wrench, as shown and described.

DESCRIPTION

FIG. 1 is a front elevational view of our support arm mounting plate with wrench;
FIG. 2 is a rear elevational view thereof;
FIG. 3 is a top plan view thereof;
FIG. 4 is a bottom plan view thereof;
FIG. 5 is a right side elevational view thereof;
FIG. 6 is a left side elevational view thereof;
FIG. 7 is a perspective view of the mounting plate shown in FIGS. 1-6 attached to a single support arm;
FIG. 8 is a rear elevational view thereof;
FIG. 9 is a top plan view thereof;
FIG. 10 is a bottom plan view thereof;
FIG. 11 is a right side elevational view thereof; and,
FIG. 12 is a left side elevational view thereof.
The broken lines shown in FIGS. 1-12 form no part of the claimed design.

1 Claim, 8 Drawing Sheets



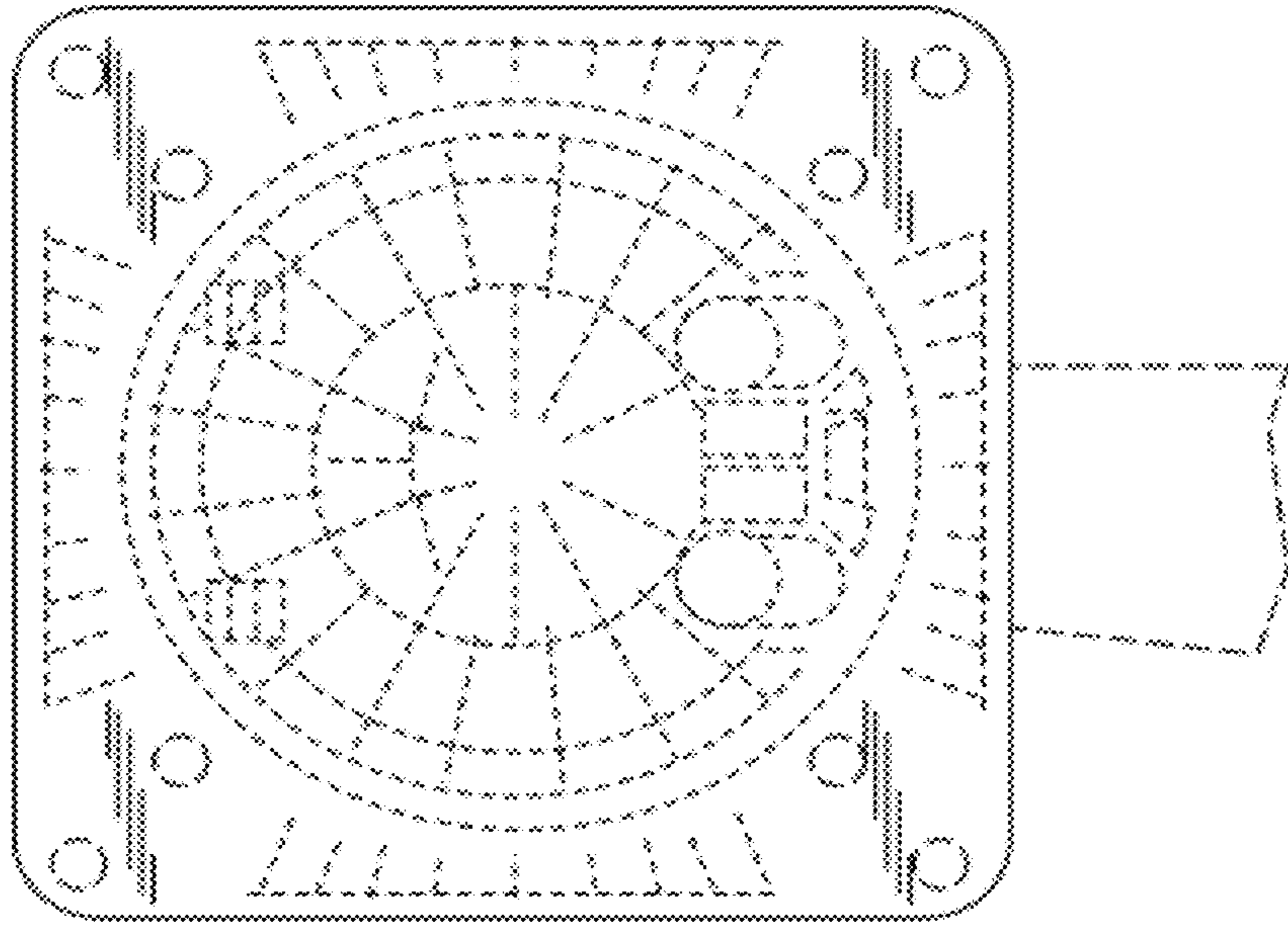


FIG. 1

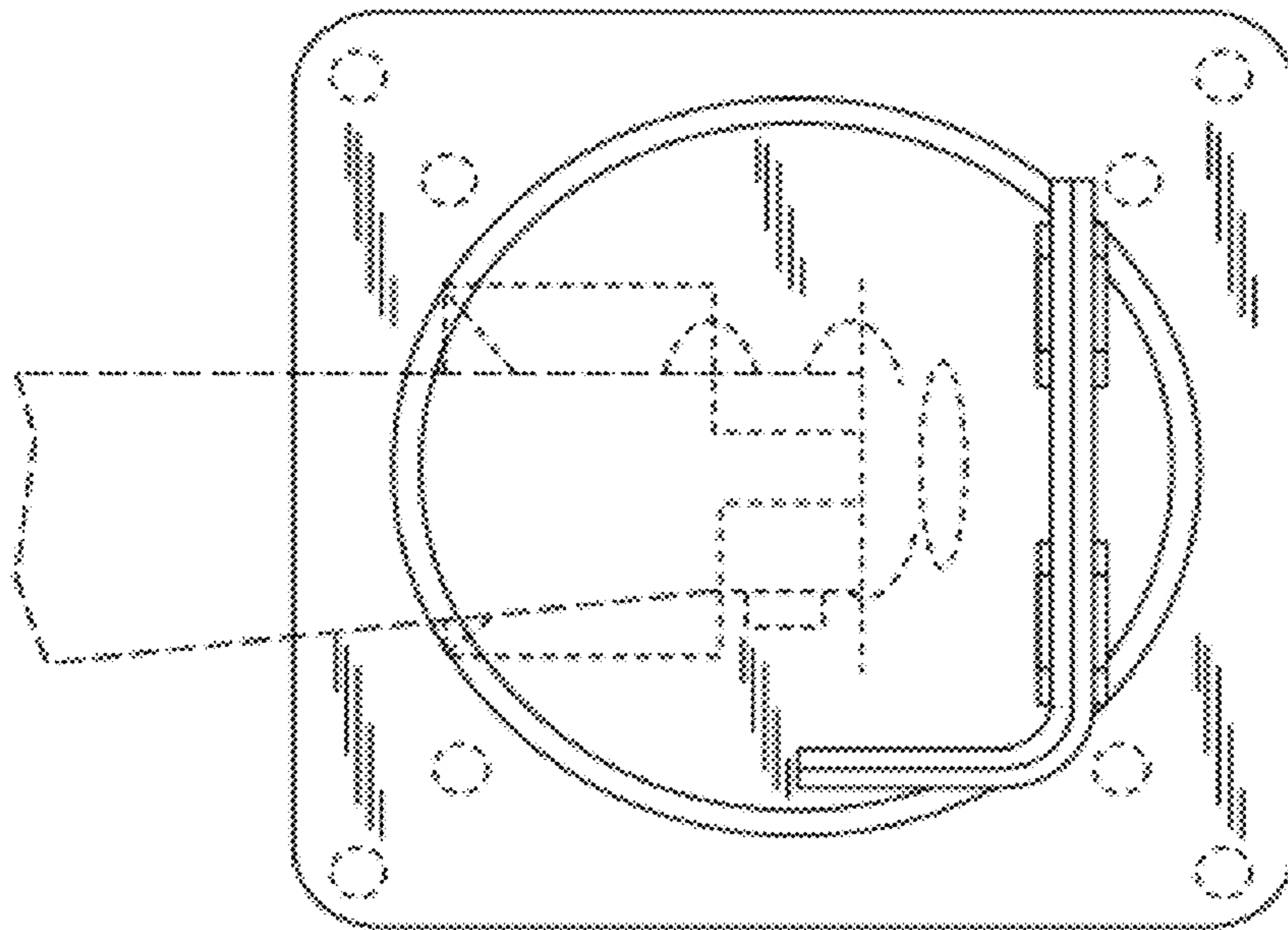


FIG. 2

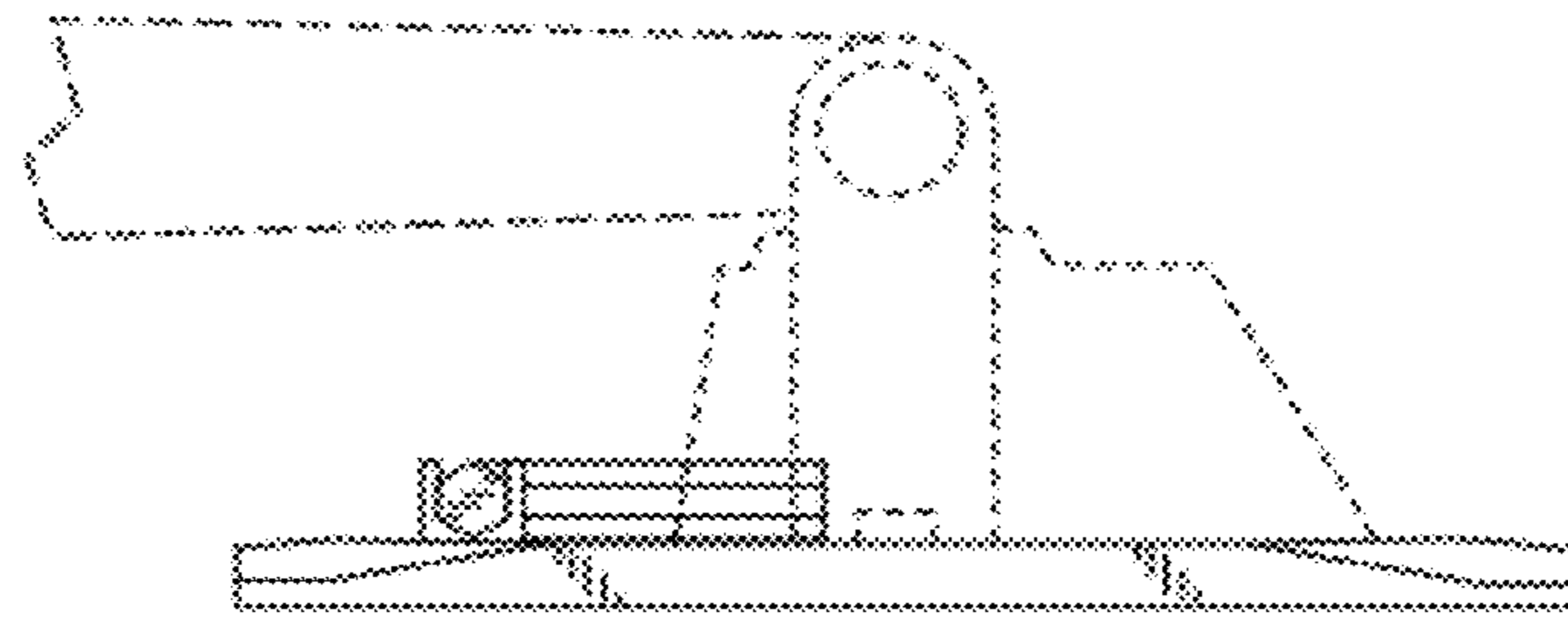


FIG. 3

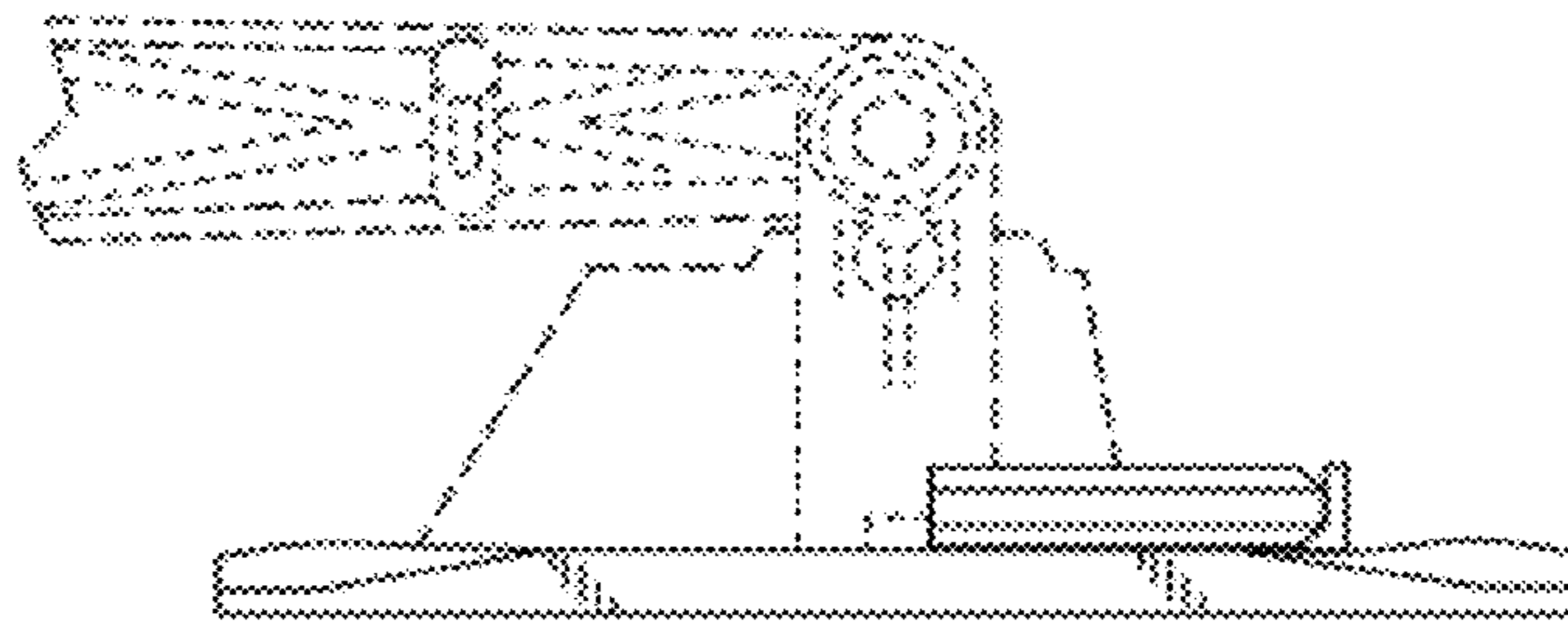


FIG. 4

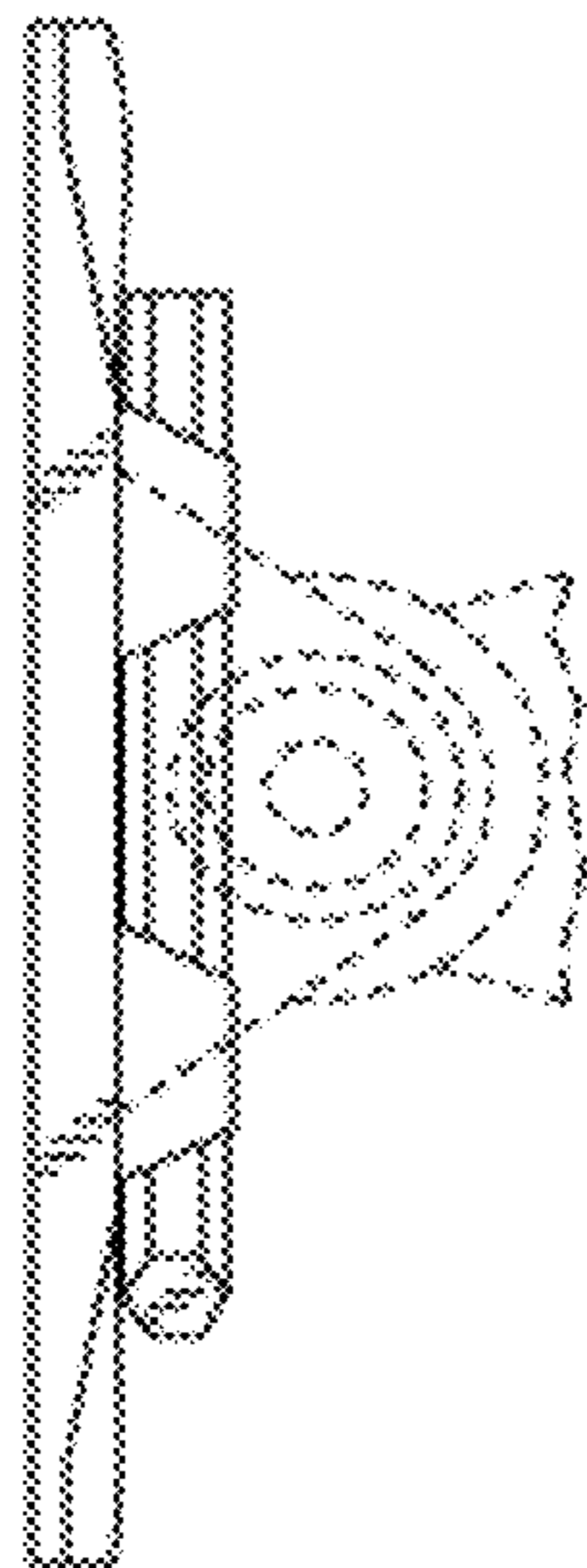


FIG. 5

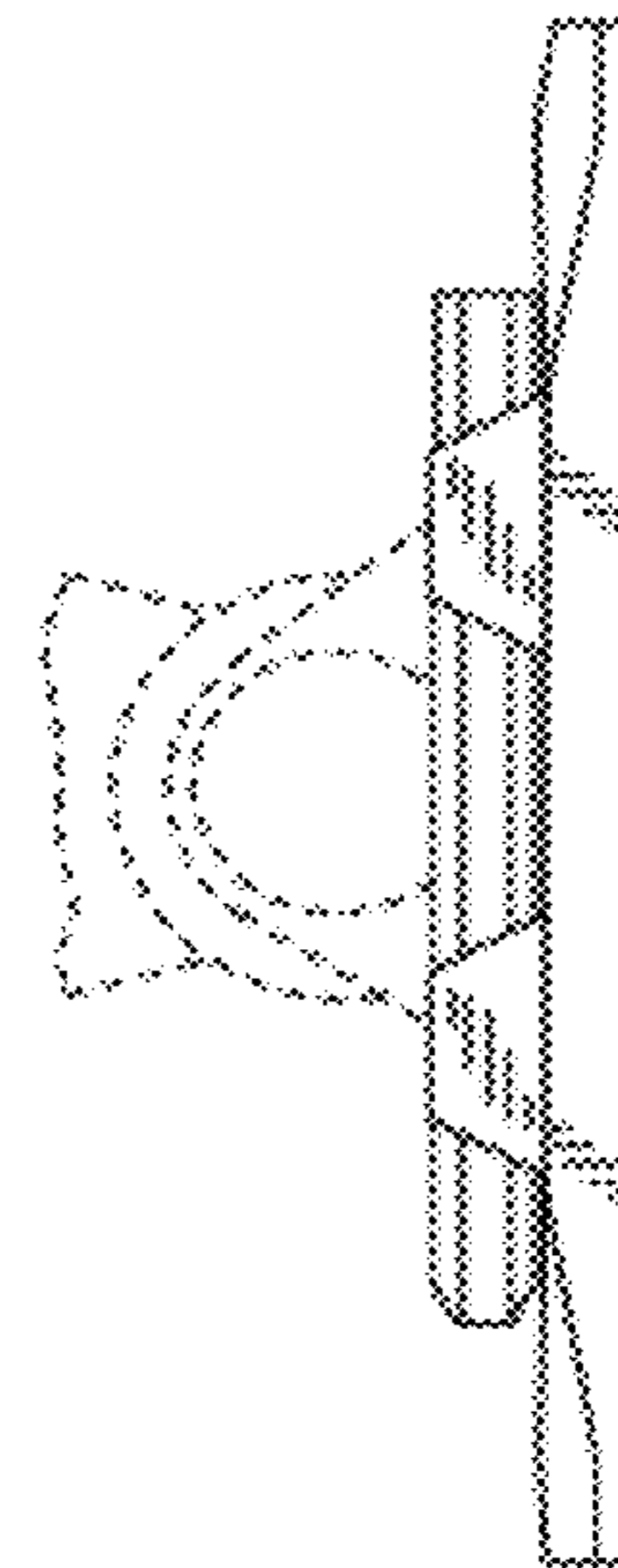


FIG. 6

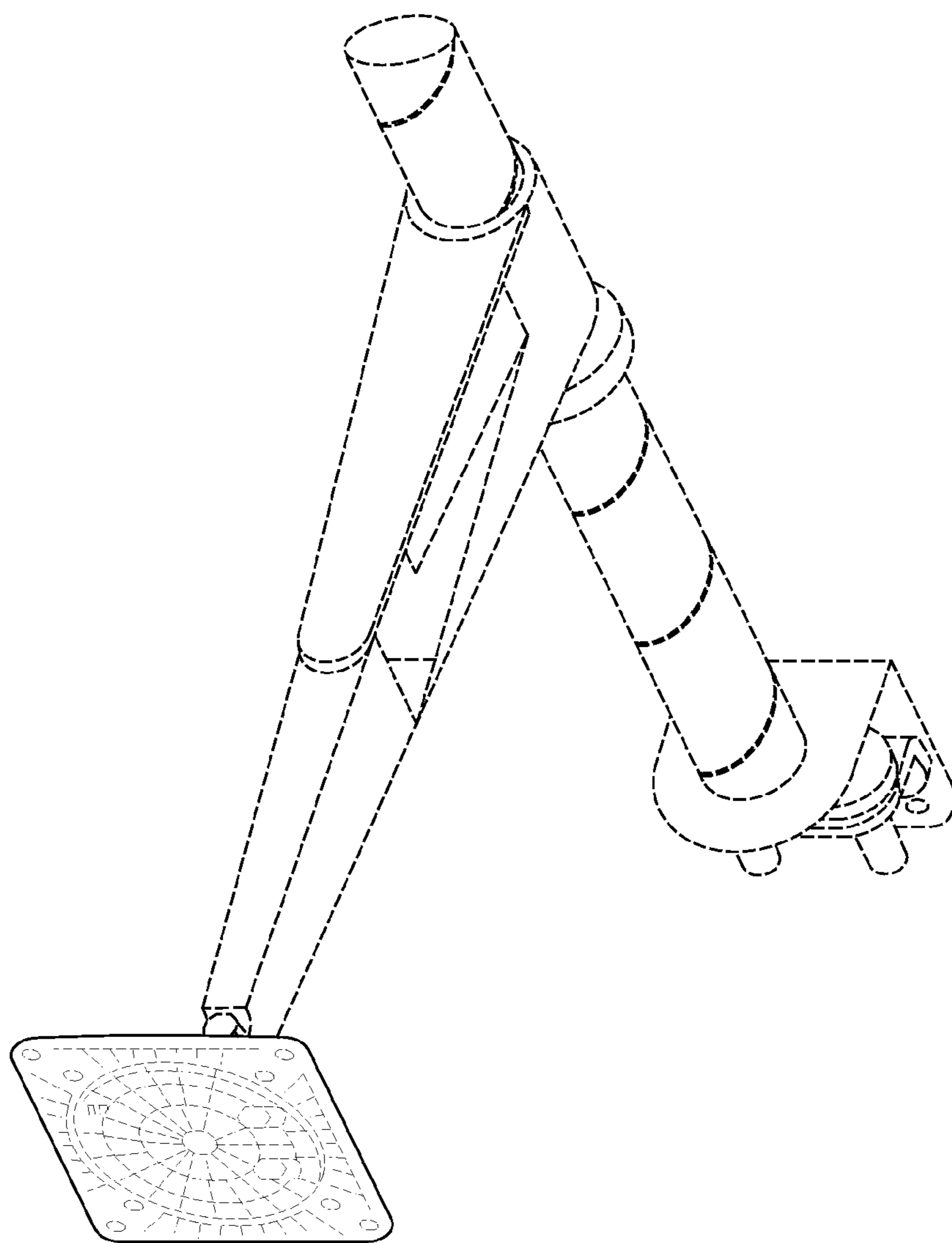


FIG. 7

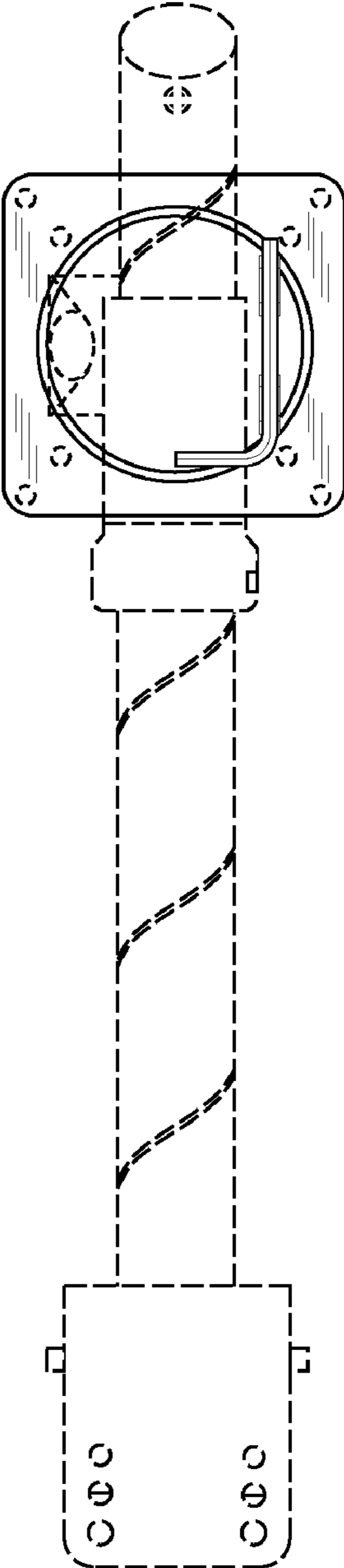


FIG. 8

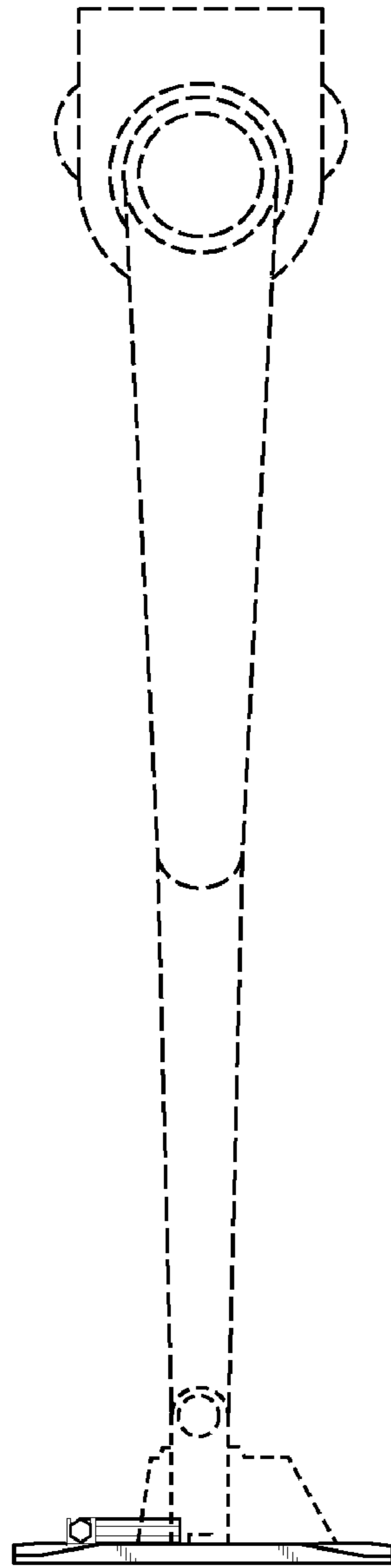


FIG. 9

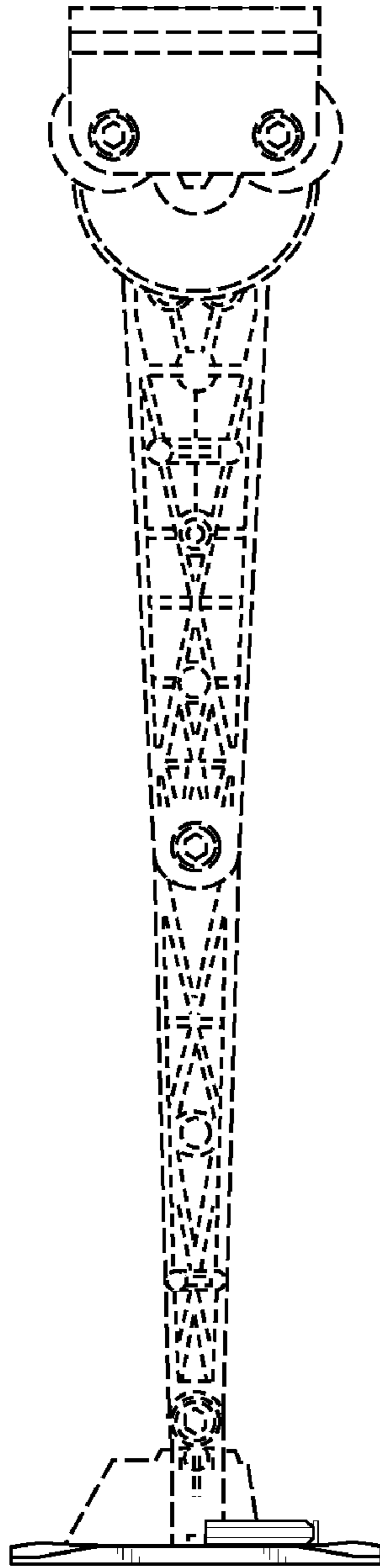


FIG. 10

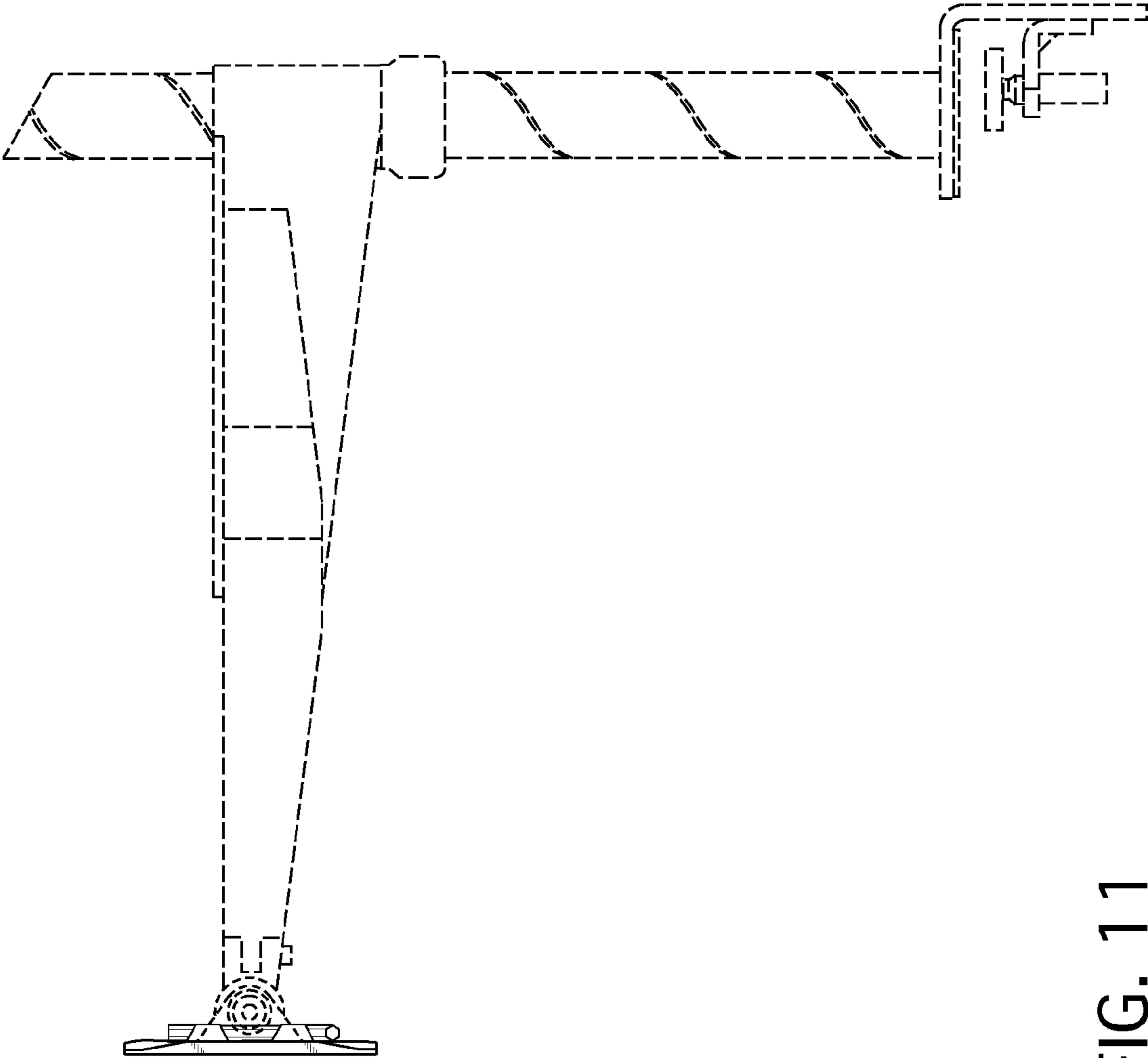


FIG. 11

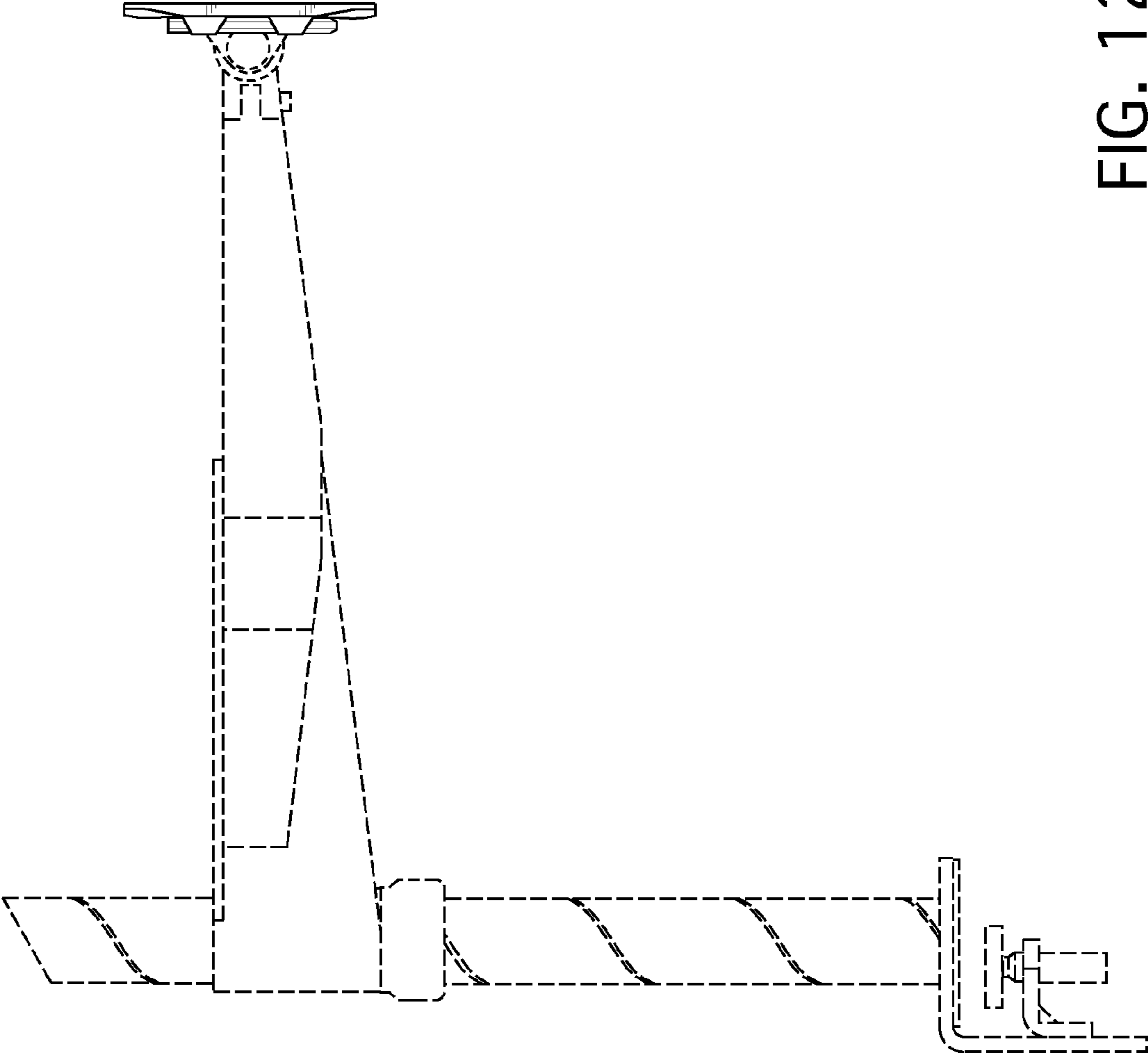


FIG. 12