



US00D659145S

(12) **United States Design Patent**
Lee et al.

(10) **Patent No.:** **US D659,145 S**
(45) **Date of Patent:** **** May 8, 2012**

(54) **CONNECTOR**

(75) Inventors: **Noel Lee**, Las Vegas, NV (US); **Jacky Hsiung**, San Jose, CA (US)

(73) Assignee: **Monster Cable Products, Inc.**,
Brisbane, CA (US)

(**) Term: **14 Years**

(21) Appl. No.: **29/389,505**

(22) Filed: **Apr. 12, 2011**

6,176,716	B1	1/2001	Mercurio et al.	
6,203,370	B1	3/2001	Lee	
D445,422	S *	7/2001	Hsin D14/385
D448,006	S	9/2001	Lee	
D450,296	S	11/2001	Lee	
6,341,979	B1	1/2002	Yamamoto	
D453,322	S	2/2002	Lee	
D456,362	S	4/2002	Lee	
6,406,313	B1	6/2002	Victor	
D463,373	S	9/2002	Lee	
D471,870	S	3/2003	Lee	
D473,194	S	4/2003	Lee	
6,609,935	B2 *	8/2003	Huang 439/620.16

(Continued)

Related U.S. Application Data

(62) Division of application No. 29/351,325, filed on Dec. 3, 2009, now Pat. No. Des. 638,430.

(51) **LOC (9) Cl.** **14-02**

(52) **U.S. Cl.** **D14/435.1; D13/133**

(58) **Field of Classification Search** D14/411,
D14/433, 435.1, 436, 480.1–480.7, 484.1,
D14/137, 155, 167, 168, 203.1–203.8, 240,
D14/242, 299; D3/201, 273; D13/107, 108,
D13/133, 135, 149, 184; 710/300, 301; 439/131,
439/135–147
See application file for complete search history.

(56) **References Cited**

U.S. PATENT DOCUMENTS

D291,559	S *	8/1987	Narveson et al. D13/199
5,529,513	A	6/1996	Lee	
5,564,942	A	10/1996	Lee	
D404,716	S	1/1999	Lee	
D405,050	S	2/1999	Lee	
D405,057	S	2/1999	Martin et al.	
D407,378	S	3/1999	Lee	
D411,523	S *	6/1999	Talesfore D14/433
D412,314	S	7/1999	Lee	
D415,101	S	10/1999	Martin	
D415,111	S	10/1999	Lee	
6,039,591	A	3/2000	Marsh et al.	
D425,487	S	5/2000	Lee	
6,129,568	A	10/2000	Mercurio et al.	
D434,009	S	11/2000	Lee	

OTHER PUBLICATIONS

ZB-Pro Professional Network Management Tool, [online], [retrieved on Mar. 23, 2011]. Retrieved from the Internet <URL: <http://www.rticorp.com/products/zbpro.html>>.*

(Continued)

Primary Examiner — Karen E Kearney

(74) *Attorney, Agent, or Firm* — LaRiviere, Grubman & Payne, LLP

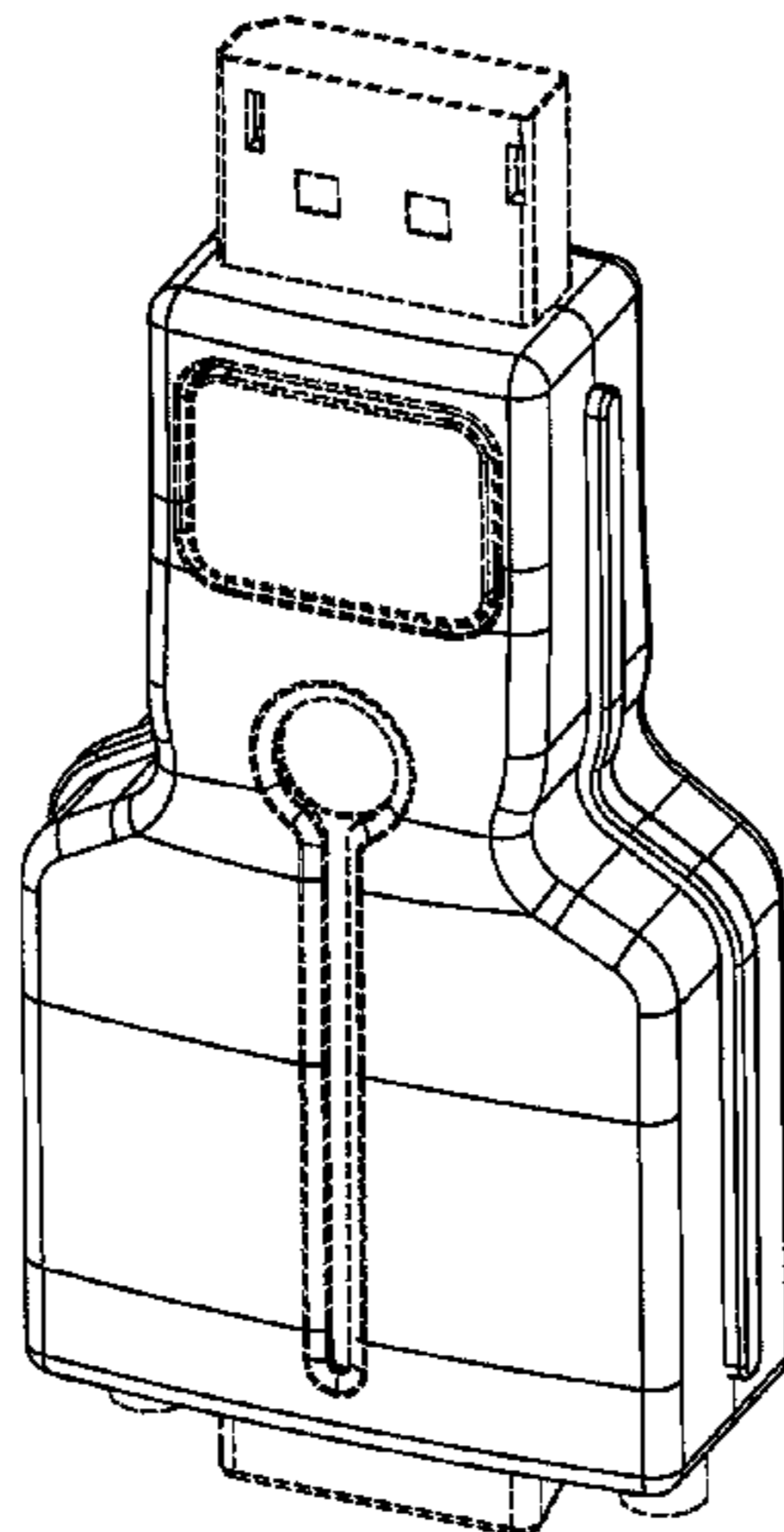
(57) **CLAIM**

The ornamental design for a connector, as shown and described.

DESCRIPTION

FIG. 1 is a front perspective view of a connector, showing our new design;
FIG. 2 is a front view thereof;
FIG. 3 is a rear view thereof;
FIG. 4 is a side view thereof;
FIG. 5 is an opposing side view thereof;
FIG. 6 is a top view thereof; and,
FIG. 7 is a bottom view thereof.
The broken line showings of the USB and VGA connectors in all the figures are included for the purpose of illustrating unclaimed portions of the connector and form no part of the claimed design.

1 Claim, 3 Drawing Sheets



US D659,145 S

Page 2

U.S. PATENT DOCUMENTS

6,644,993 B2 11/2003 Victor
D490,779 S 6/2004 Lee
D491,085 S * 6/2004 Shambaugh et al. D10/78
D493,113 S * 7/2004 Shambaugh et al. D10/78
D505,390 S 5/2005 Lee et al.
D511,501 S 11/2005 Lee et al.
D514,523 S 2/2006 Lee et al.
D515,508 S 2/2006 Lee
D517,497 S 3/2006 Lee
D549,174 S 8/2007 Lee et al.
D549,662 S 8/2007 Lee et al.
D553,568 S 10/2007 Lee et al.
D563,872 S 3/2008 Lee et al.
D563,897 S 3/2008 Lee et al.
D563,898 S 3/2008 Lee et al.
D570,788 S 6/2008 Lee et al.
D570,789 S 6/2008 Lee et al.
D573,103 S 7/2008 Lee et al.
7,429,197 B2 9/2008 Weis
D581,413 S * 11/2008 Kim D14/480.7
D585,836 S 2/2009 Lee et al.

7,484,990 B1 2/2009 Lee et al.
D588,546 S 3/2009 Lee et al.
D588,547 S 3/2009 Lee et al.
D588,548 S 3/2009 Lee et al.
D588,549 S 3/2009 Lee et al.
D592,149 S 5/2009 Lee et al.
D593,954 S 6/2009 Lee et al.
D599,742 S 9/2009 Hyncek et al.
D617,279 S * 6/2010 Lee et al. D13/147
D633,096 S * 2/2011 Corcoran D14/480.1
D635,931 S * 4/2011 Amidon D13/154
D635,933 S * 4/2011 Amidon D13/154
2008/0009159 A1 * 1/2008 Chang 439/138
2010/0281209 A1 * 11/2010 Ni et al. 711/103

OTHER PUBLICATIONS

U.S. Appl. No. 11/872,856, filed Oct. 16, 2007, Vern Smith.
U.S. Appl. No. 12/201,418, filed Aug. 29, 2008, Dan Hua, et al.
U.S. Appl. No. 12/201,645, filed Aug. 29, 2008, David Leung, et al.

* cited by examiner

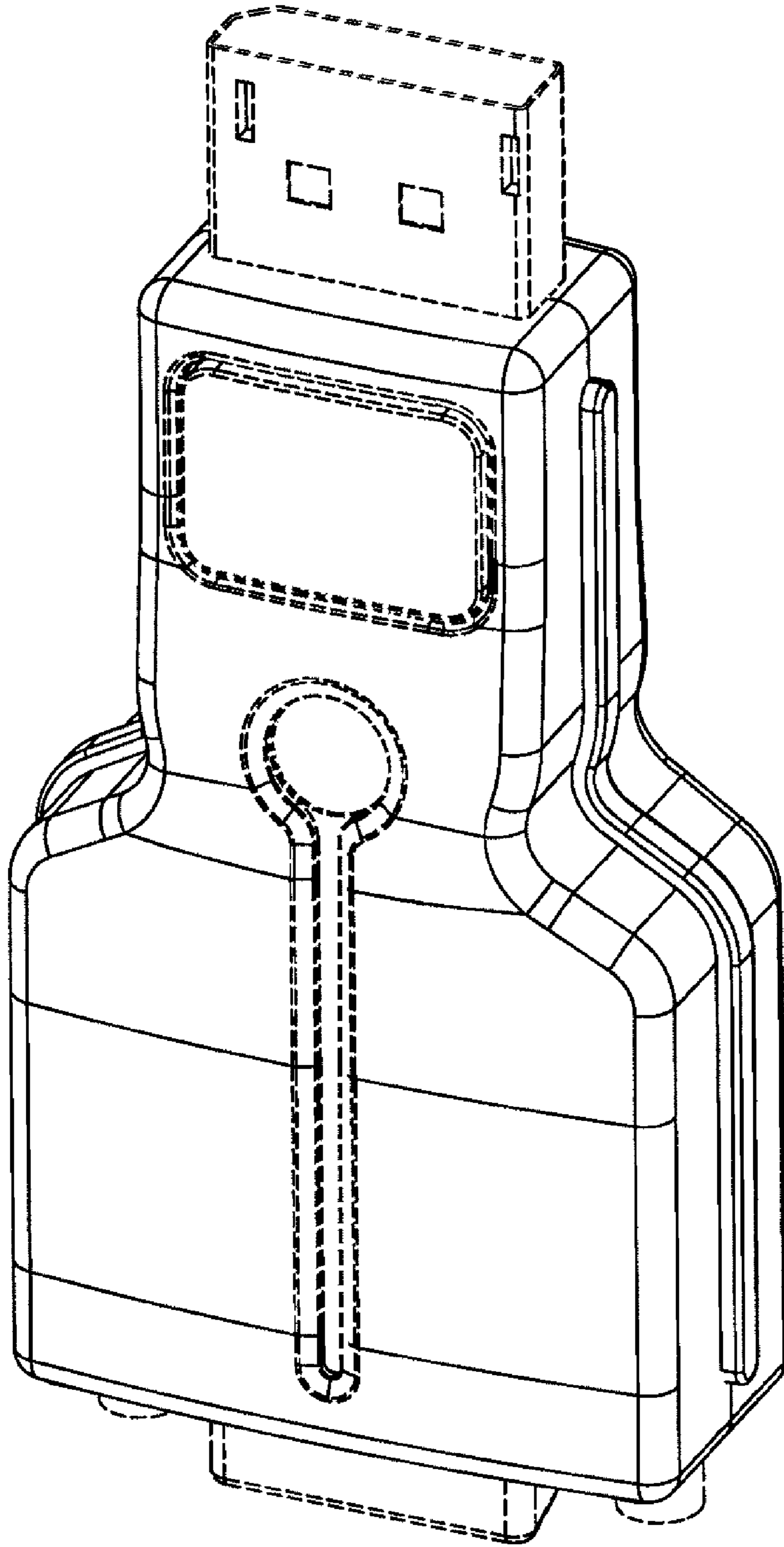


Figure 1

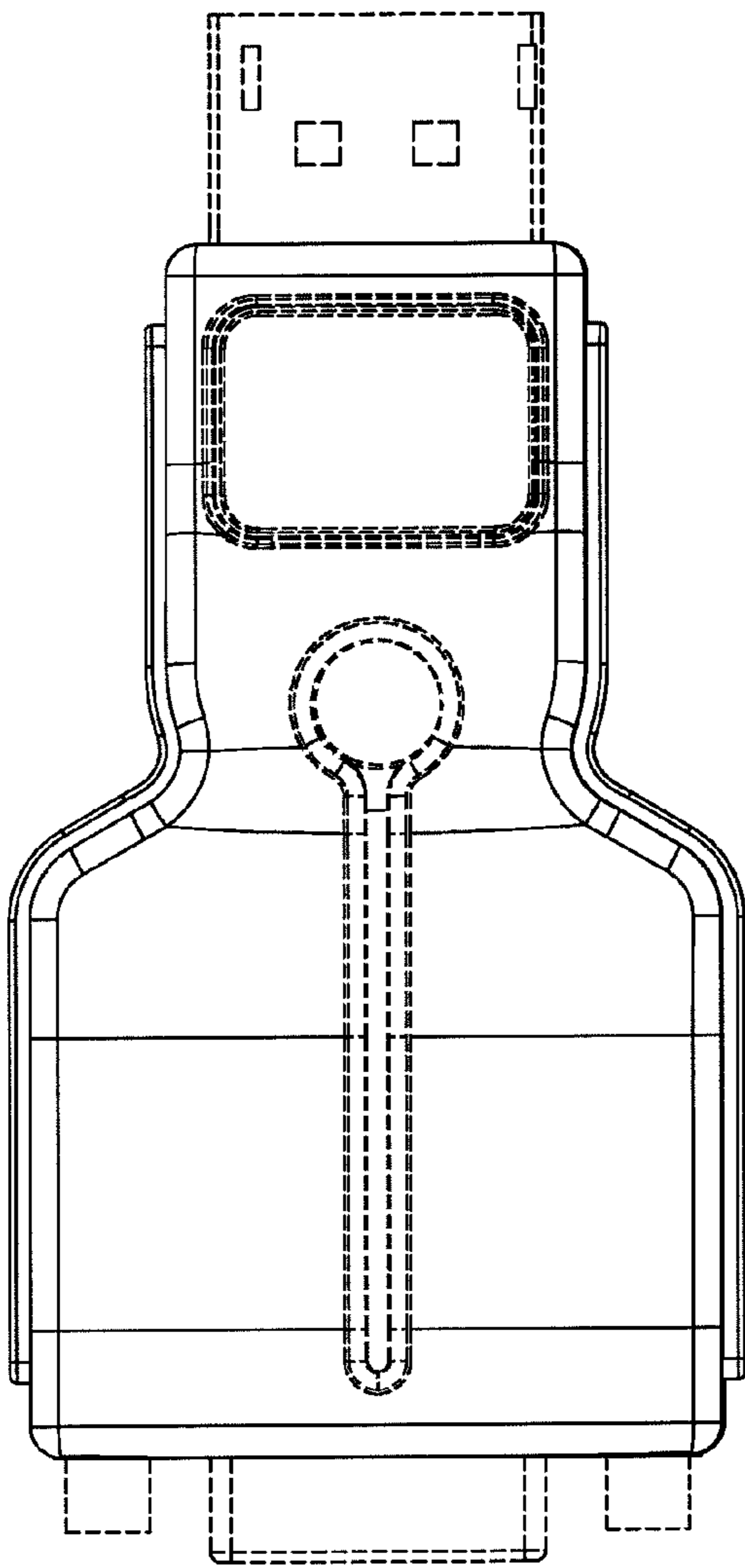


Figure 2

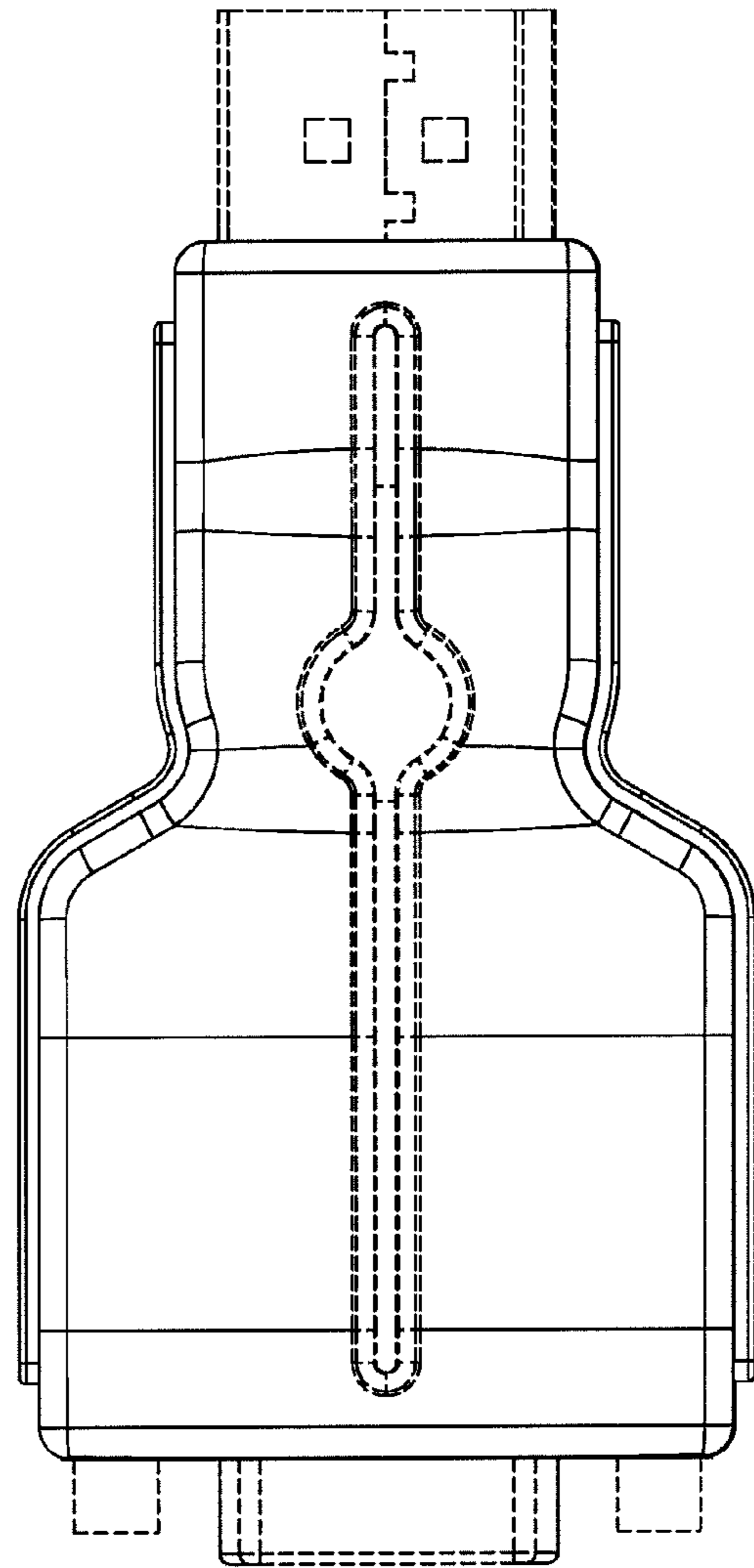


Figure 3

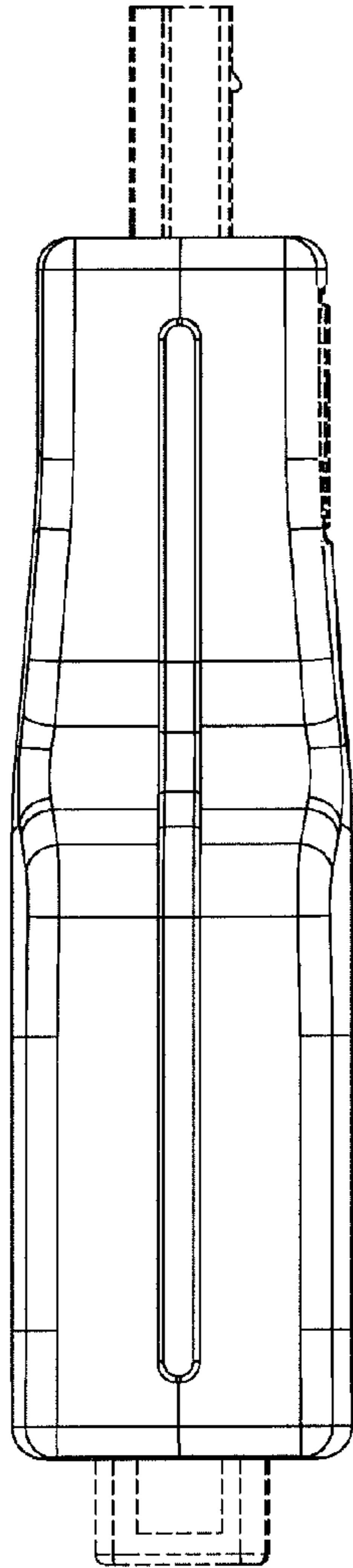


Figure 4

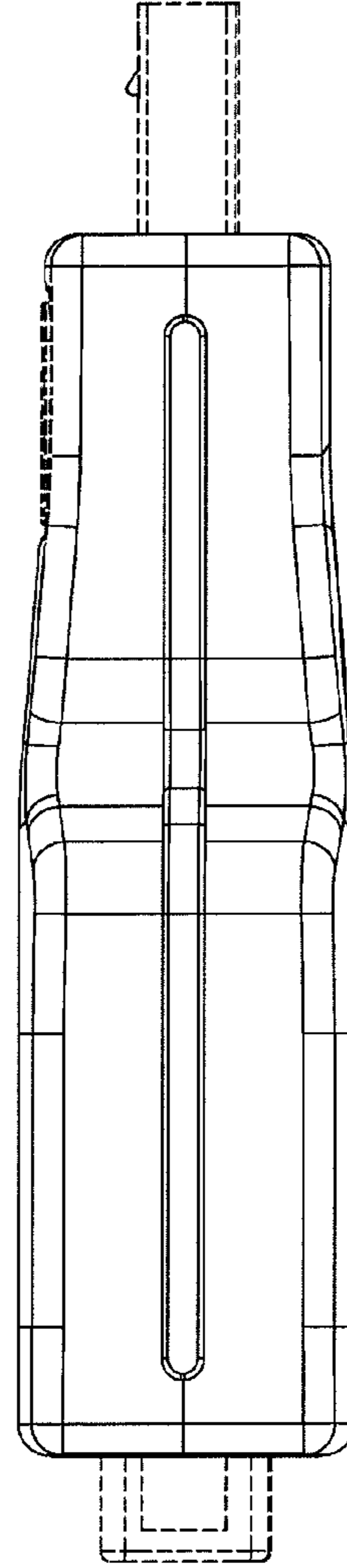


Figure 5

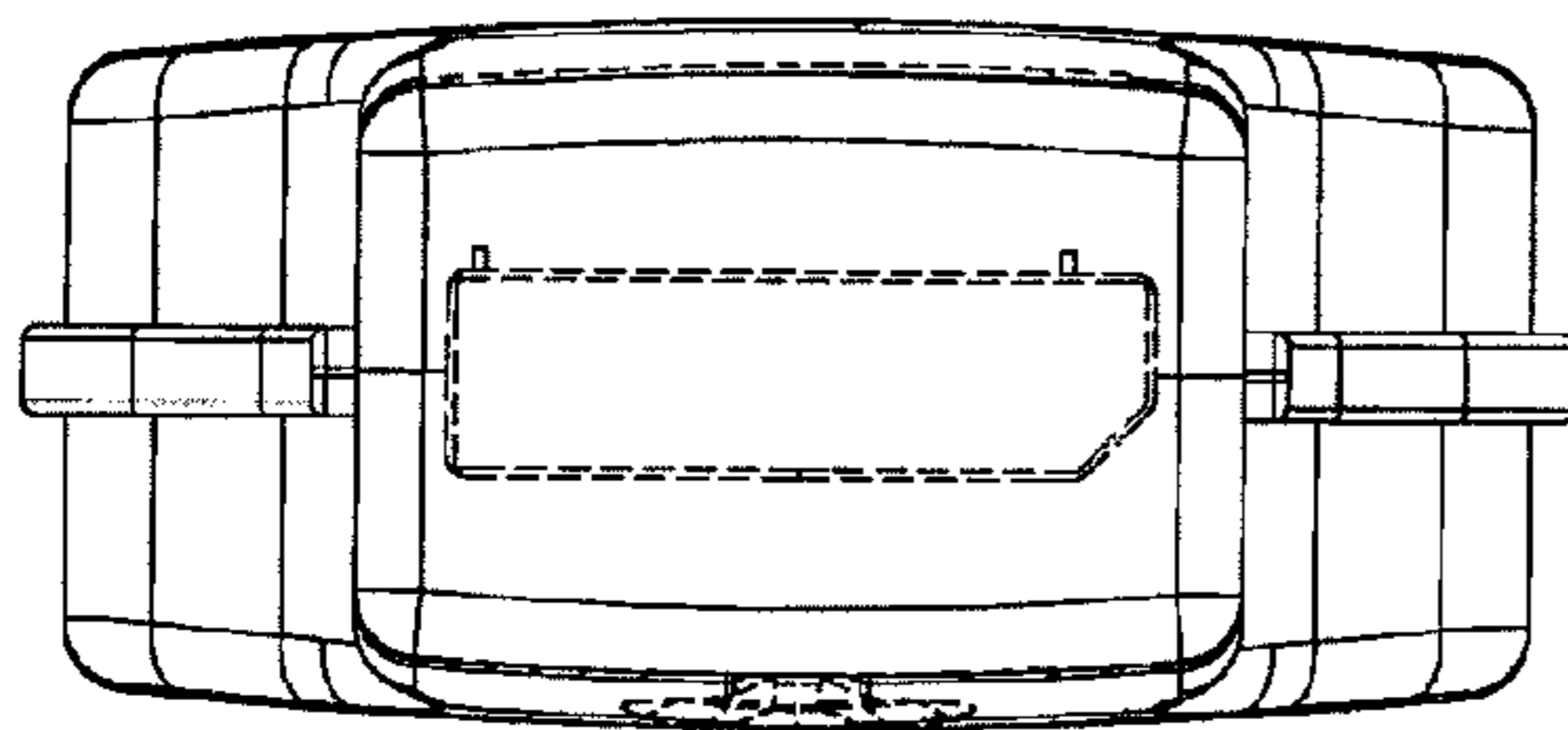


Figure 6

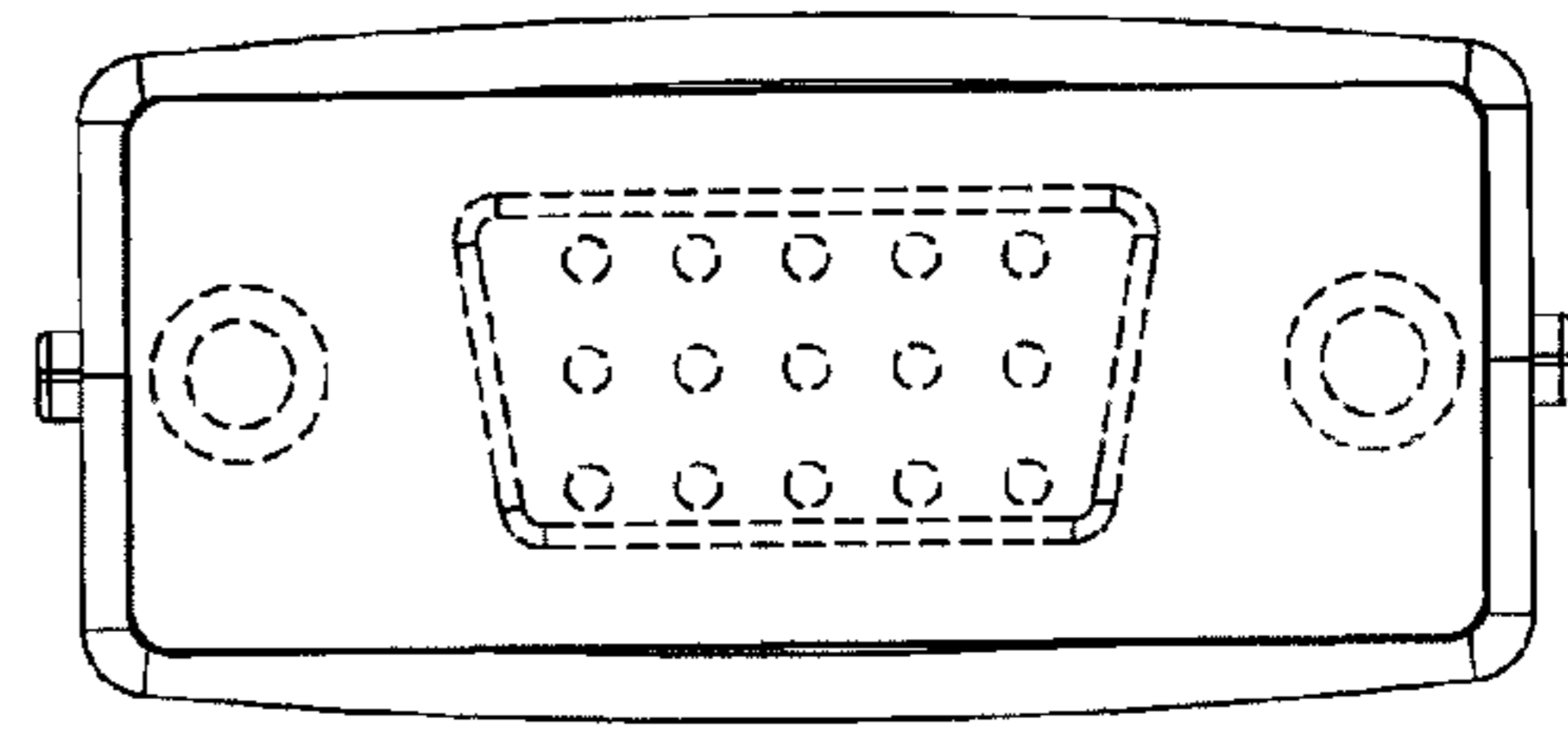


Figure 7