



US00D659144S

(12) **United States Design Patent**
Lee et al.

(10) **Patent No.:** **US D659,144 S**
(45) **Date of Patent:** **** May 8, 2012**

(54) **CONNECTOR**

(75) Inventors: **Noel Lee**, Las Vegas, NV (US); **Jacky Hsiung**, San Jose, CA (US)

(73) Assignee: **Monster Cable Products, Inc.**,
Brisbane, CA (US)

(**) Term: **14 Years**

(21) Appl. No.: **29/389,504**

(22) Filed: **Apr. 12, 2011**

D434,009 S	11/2000	Lee	
6,176,716 B1	1/2001	Mercurio et al.	
6,203,370 B1	3/2001	Lee	
D445,422 S *	7/2001	Hsin D14/385
D448,006 S	9/2001	Lee	
D450,296 S	11/2001	Lee	
6,341,979 B1	1/2002	Yamamoto	
D453,322 S	2/2002	Lee	
D456,362 S	4/2002	Lee	
6,406,313 B1	6/2002	Victor	
D463,373 S	9/2002	Lee	
D471,870 S	3/2003	Lee	
D473,194 S	4/2003	Lee	

(Continued)

Related U.S. Application Data

(62) Division of application No. 29/351,325, filed on Dec. 3, 2009, now Pat. No. Des. 638,430.

(51) **LOC (9) Cl.** **14-02**

(52) **U.S. Cl.** **D14/435.1; D13/133**

(58) **Field of Classification Search** D14/411,
D14/433, 435.1, 436, 480.1–480.7, 484.1,
D14/137, 155, 167, 168, 203.1–203.8, 240,
D14/242, 299; D3/201, 273; D13/107, 108,
D13/133, 135, 149, 184; 710/300, 301; 439/131,
439/135–147
See application file for complete search history.

(56) **References Cited**

U.S. PATENT DOCUMENTS

D167,828 S *	9/1952	Florac D14/194
D291,559 S *	8/1987	Narveson et al. D13/199
5,529,513 A	6/1996	Lee	
5,564,942 A	10/1996	Lee	
D404,716 S	1/1999	Lee	
D405,050 S	2/1999	Lee	
D405,057 S	2/1999	Martin et al.	
D407,378 S	3/1999	Lee	
D411,523 S *	6/1999	Talesfore D14/433
D412,314 S	7/1999	Lee	
D415,101 S	10/1999	Martin	
D415,111 S	10/1999	Lee	
6,039,591 A	3/2000	Marsh et al.	
D425,487 S	5/2000	Lee	
6,129,568 A	10/2000	Mercurio et al.	

OTHER PUBLICATIONS

Drone—Plug & Play 100-meter range Bluetooth VOIP and Music for your PC, [online], [retrieved on Oct. 14, 2008]. Retrieved from the Internet <URL: <http://www.callpod.com/products/drone>>.*

(Continued)

Primary Examiner — Karen E Kearney
(74) *Attorney, Agent, or Firm* — LaRiviere, Grubman & Payne, LLP

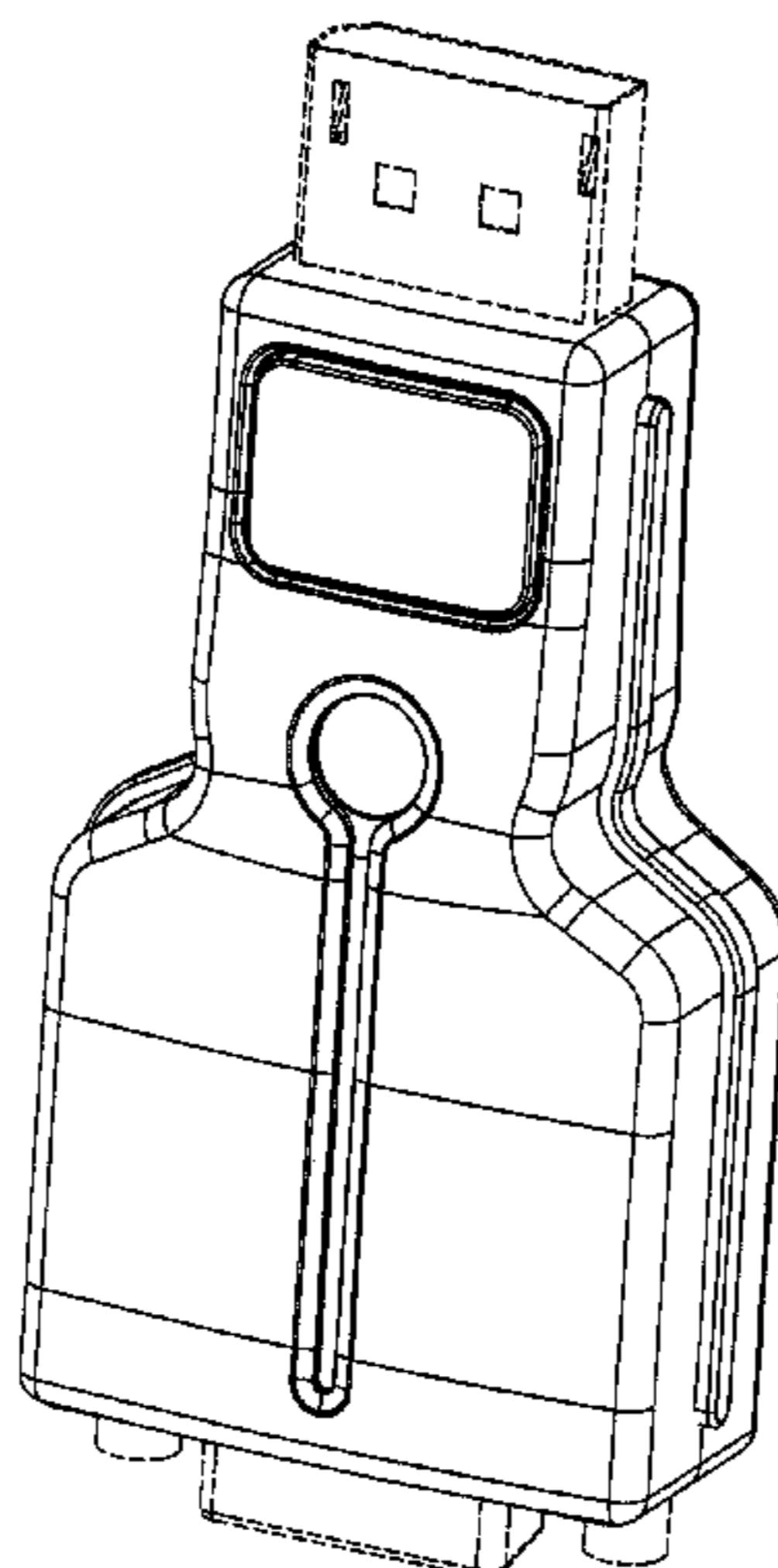
(57) **CLAIM**

The ornamental design for a connector, as shown and described.

DESCRIPTION

FIG. 1 is a front perspective view of a connector, showing our new design;
FIG. 2 is a front view thereof;
FIG. 3 is a rear view thereof;
FIG. 4 is a side view thereof;
FIG. 5 is an opposing side view thereof;
FIG. 6 is a top view thereof; and,
FIG. 7 is a bottom view thereof.
The broken line showings of the USB and VGA connectors in all the figures are included for the purpose of illustrating unclaimed portions of the connector and form no part of the claimed design.

1 Claim, 3 Drawing Sheets



U.S. PATENT DOCUMENTS

6,609,935 B2 * 8/2003 Huang 439/620.16
 6,644,993 B2 11/2003 Victor
 D486,807 S * 2/2004 Takayama et al. D14/137
 D490,779 S 6/2004 Lee
 D491,085 S * 6/2004 Shambaugh et al. D10/78
 D492,307 S * 6/2004 Aqqad et al. D14/480.5
 D493,113 S * 7/2004 Shambaugh et al. D10/78
 D496,031 S * 9/2004 Ma et al. D14/240
 D505,390 S 5/2005 Lee et al.
 D511,501 S 11/2005 Lee et al.
 D514,523 S 2/2006 Lee et al.
 D515,508 S 2/2006 Lee
 D517,497 S 3/2006 Lee
 D538,223 S * 3/2007 Yang D13/107
 D542,789 S * 5/2007 Depay D14/435.1
 D546,328 S * 7/2007 Kobayakawa D14/480.4
 D549,174 S 8/2007 Lee et al.
 D549,662 S 8/2007 Lee et al.
 D553,568 S 10/2007 Lee et al.
 D563,872 S 3/2008 Lee et al.
 D563,897 S 3/2008 Lee et al.
 D563,898 S 3/2008 Lee et al.
 D570,788 S 6/2008 Lee et al.
 D570,789 S 6/2008 Lee et al.
 D573,103 S 7/2008 Lee et al.
 7,429,197 B2 9/2008 Weis
 D581,413 S * 11/2008 Kim D14/480.7
 D585,836 S 2/2009 Lee et al.
 7,484,990 B1 2/2009 Lee et al.

D588,546 S 3/2009 Lee et al.
 D588,547 S 3/2009 Lee et al.
 D588,548 S 3/2009 Lee et al.
 D588,549 S 3/2009 Lee et al.
 D592,149 S 5/2009 Lee et al.
 D593,954 S 6/2009 Lee et al.
 D599,742 S 9/2009 Hyneczek et al.
 D617,279 S * 6/2010 Lee et al. D13/147
 D618,681 S * 6/2010 Richter et al. D14/358
 D626,064 S * 10/2010 Cutter et al. D13/107
 D626,065 S * 10/2010 Cutter et al. D13/107
 D629,409 S * 12/2010 Lo D14/480.7
 7,869,219 B2 * 1/2011 Ma et al. 361/737
 D633,096 S * 2/2011 Corcoran D14/480.1
 D635,931 S * 4/2011 Amidon D13/154
 D635,933 S * 4/2011 Amidon D13/154
 2008/0009159 A1 * 1/2008 Chang 439/138
 2010/0281209 A1 * 11/2010 Ni et al. 711/103
 2010/0321878 A1 * 12/2010 Huang 361/679.31

OTHER PUBLICATIONS

ZB-Pro Professional Network Management Tool, [online], [retrieved on Mar. 23, 2011]. Retrieved from the Internet <URL: <http://www.rticorp.com/products/zbpro.html>>.*
 U.S. Appl. No. 11/872,856, filed Oct. 16, 2007, Vern Smith.
 U.S. Appl. No. 12/201/418, filed Aug. 29, 2008, Dan Hua, et al.
 U.S. Appl. No. 12/201,645, filed Aug. 29, 2008, David Leung et al.

* cited by examiner

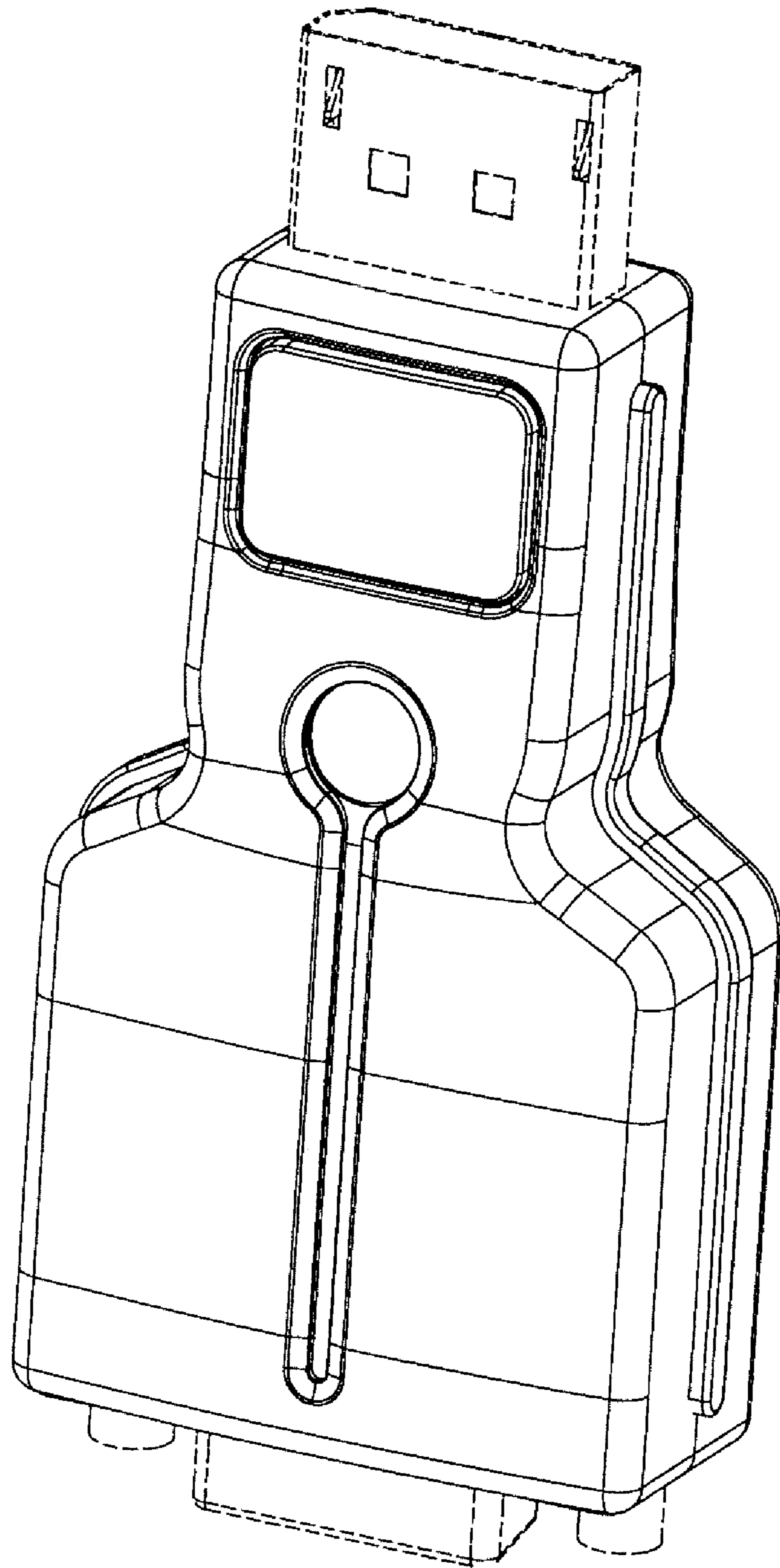


Figure 1

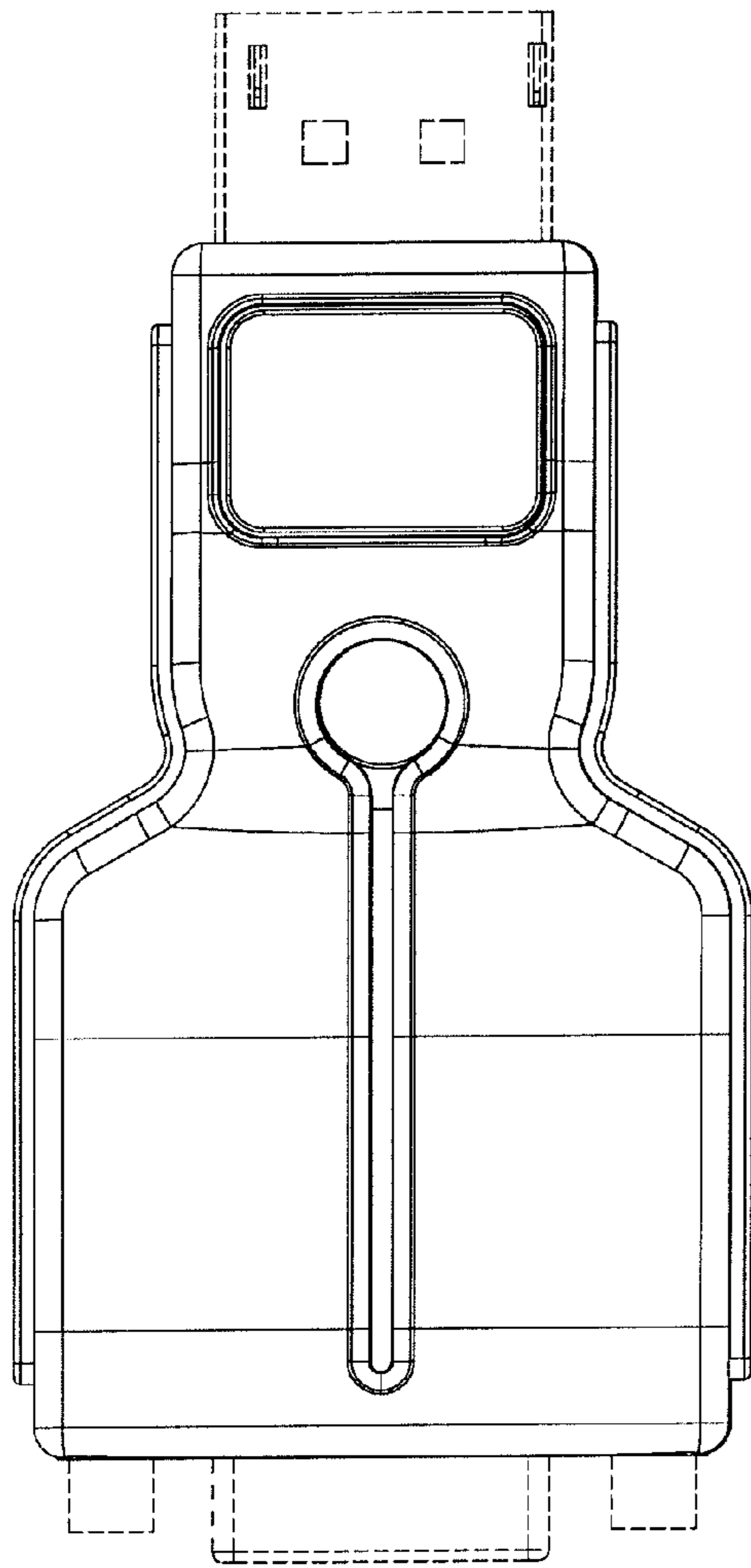


Figure 2

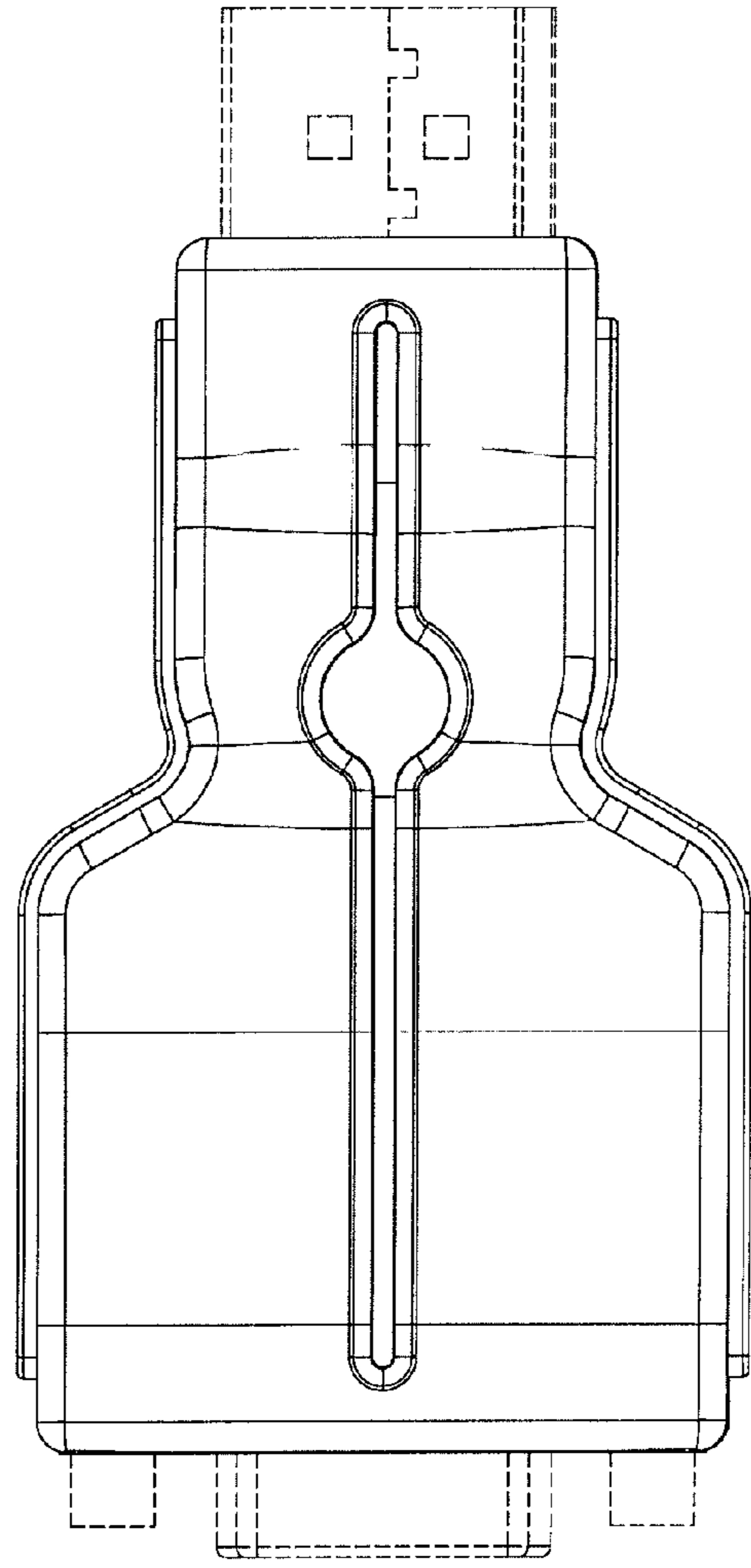


Figure 3

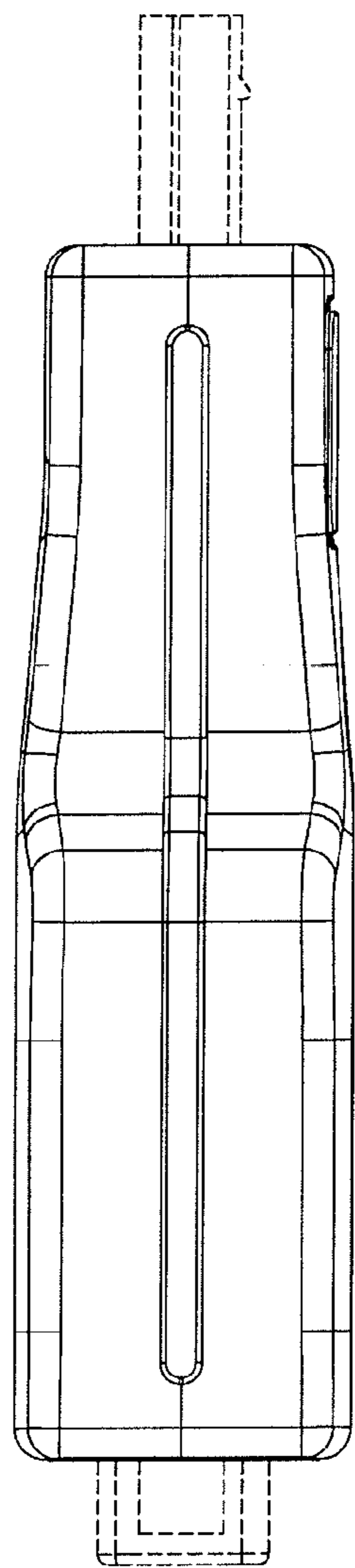


Figure 4

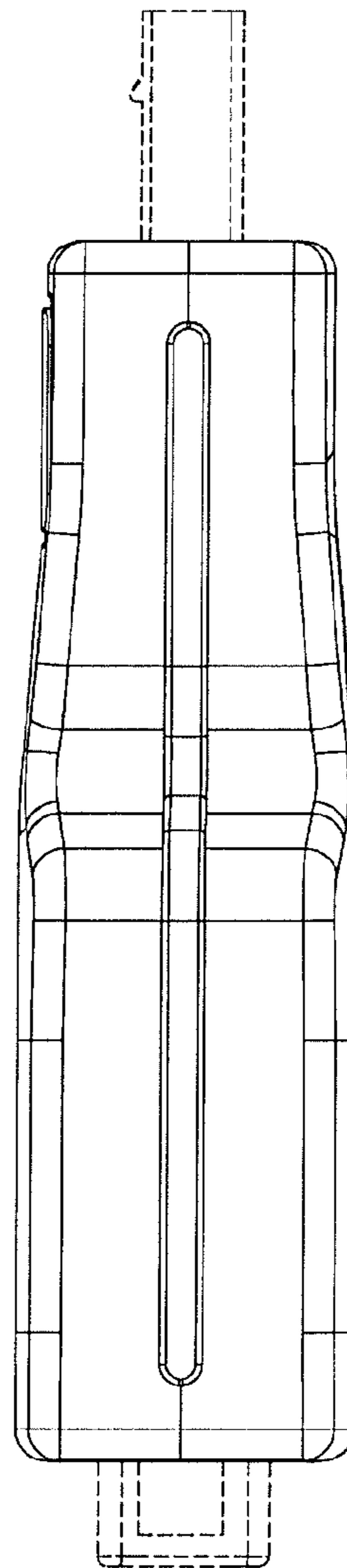


Figure 5

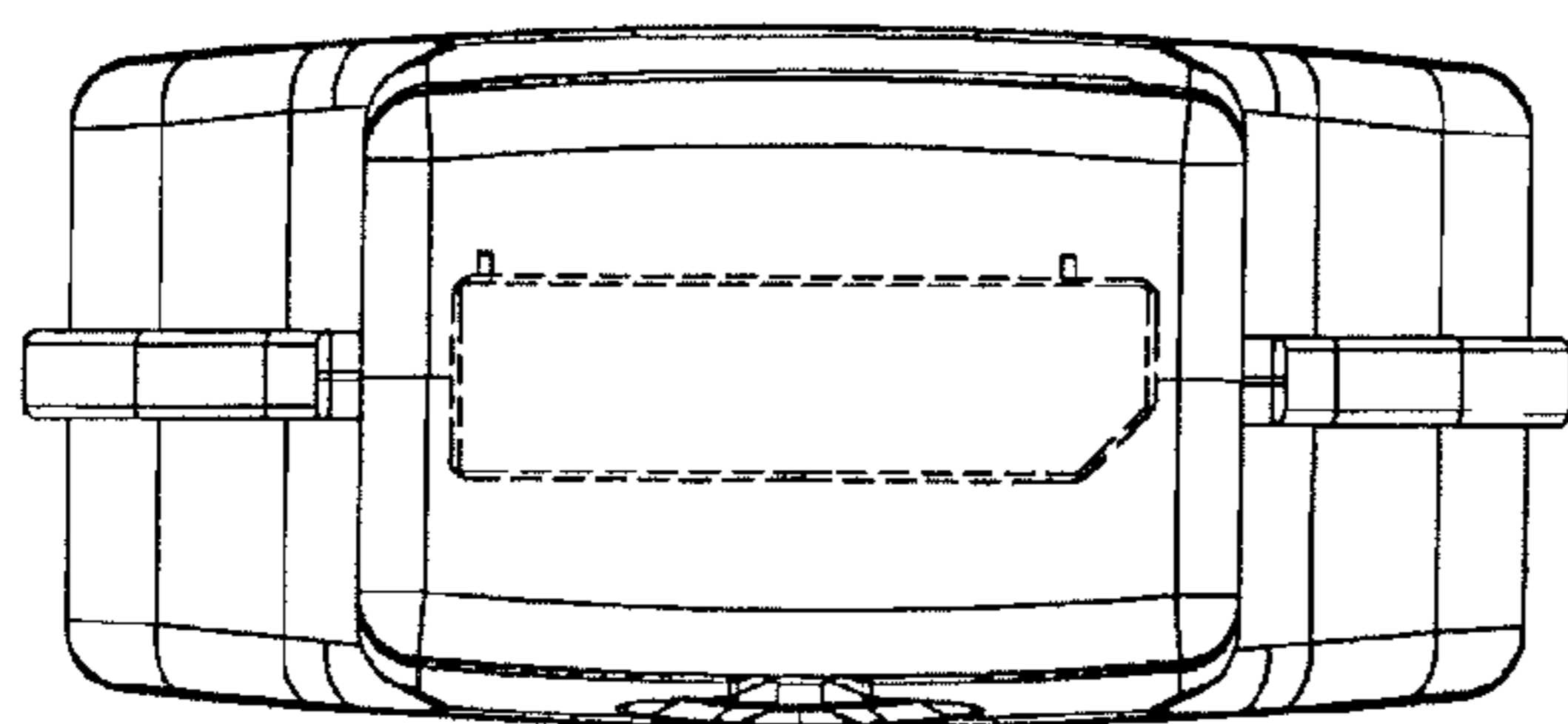


Figure 6

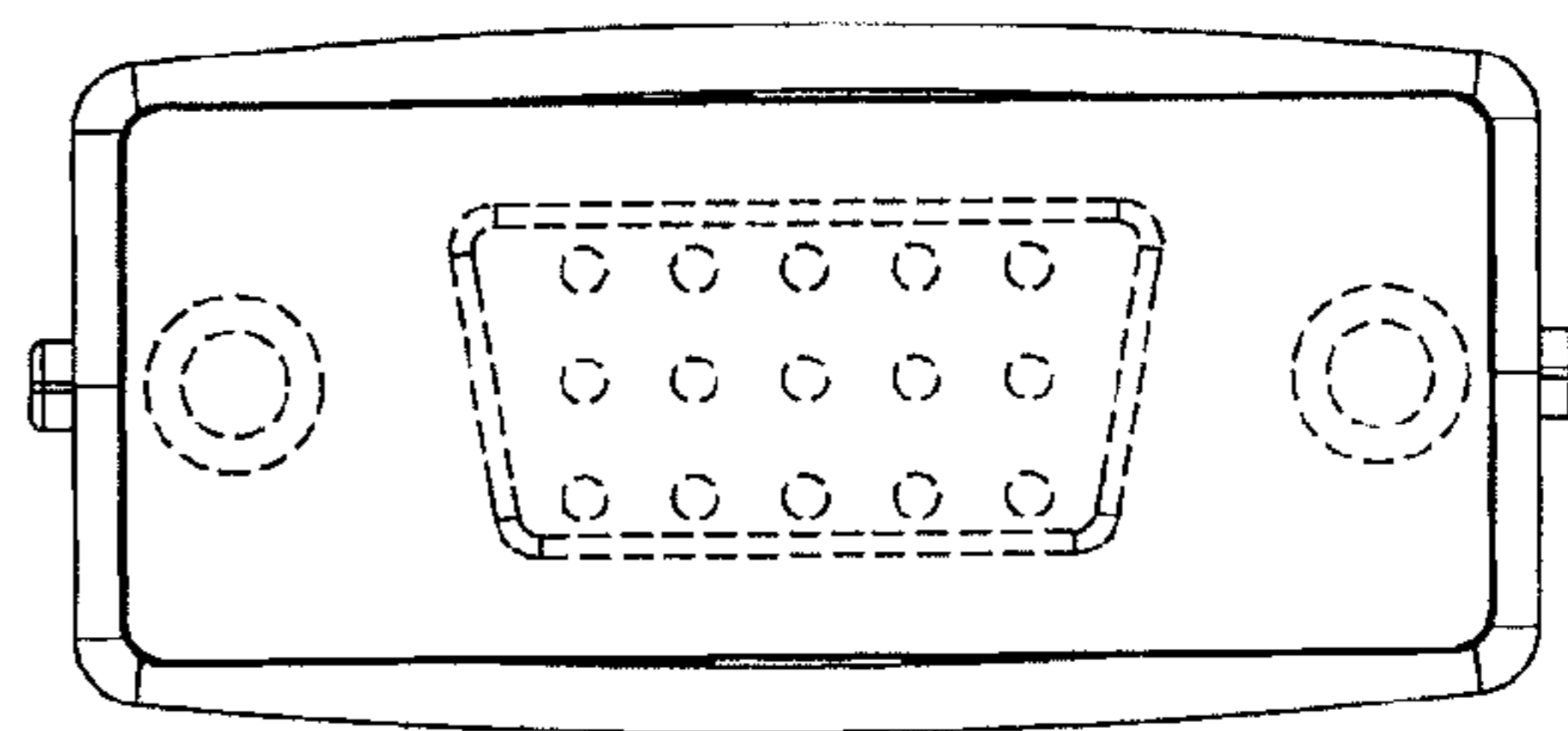


Figure 7