



US00D659143S

(12) **United States Design Patent**
Akana et al.

(10) **Patent No.:** **US D659,143 S**

(45) **Date of Patent:** **** May 8, 2012**

(54) **DOCKING STATION**

(75) Inventors: **Jody Akana**, San Francisco, CA (US);
Bartley K. Andre, Menlo Park, CA
(US); **Jeremy Bataillou**, San Francisco,
CA (US); **Daniel J. Coster**, San
Francisco, CA (US); **Daniele De Iuliis**,
San Francisco, CA (US); **Evans**
Hankey, San Francisco, CA (US);
Richard P. Howarth, San Francisco, CA
(US); **Jonathan P. Ive**, San Francisco,
CA (US); **Duncan Robert Kerr**, San
Francisco, CA (US); **Shin Nishibori**,
Kaila, HI (US); **Matthew Dean**
Rohrbach, San Francisco, CA (US);
Peter Russell-Clarke, San Francisco,
CA (US); **Christopher J. Stringer**,
Woodside, CA (US); **Eugene Antony**
Whang, San Francisco, CA (US); **Rico**
Zorkendorfer, San Francisco, CA (US)

(73) Assignee: **Apple Inc.**, Cupertino, CA (US)

(**) Term: **14 Years**

(21) Appl. No.: **29/404,658**

(22) Filed: **Oct. 24, 2011**

Related U.S. Application Data

(63) Continuation of application No. 29/353,323, filed on
Jan. 6, 2010, now Pat. No. Des. 648,725.

(51) **LOC (9) Cl.** **14-02**

(52) **U.S. Cl.** **D14/434; D14/391; D14/455**

(58) **Field of Classification Search** D14/391-399,
D14/385, 434, 455, 217; D18/1, 2, 7, 11;
178/17 A, 17 C; 200/5 A, 5 R, 6 A, 6 R;
235/145 A, 145 R; 345/160, 168, 169; 341/20,
341/22, 23; 400/484-489, 492, 472; 361/679.08,
361/679.09, 679.4, 679.41, 679.31, 679.32,
361/679.43, 679.55; D13/107, 108

See application file for complete search history.

(56) **References Cited**

U.S. PATENT DOCUMENTS

5,085,394	A *	2/1992	Torii	248/455
5,128,662	A *	7/1992	Failla	345/1.3
D335,861	S	5/1993	Tattari	
5,633,782	A *	5/1997	Goodman et al.	361/679.41
6,031,924	A	2/2000	Etzel	
D429,242	S	8/2000	Sun	

(Continued)

FOREIGN PATENT DOCUMENTS

KR 300348033001 6/2004

OTHER PUBLICATIONS

Images of Sony X505 Keyboard, available at least as early as May 8,
2005. 4 pages.

(Continued)

Primary Examiner — Freda S Nunn

(74) *Attorney, Agent, or Firm* — Sterne, Kessler, Gold-
stein & Fox PLLC

(57) **CLAIM**

The ornamental design for a docking station, as shown and
described.

DESCRIPTION

FIG. 1 is a top front perspective view of a docking station
showing our new design;

FIG. 2 is a bottom front perspective view thereof;

FIG. 3 is a top rear perspective view thereof;

FIG. 4 is a bottom rear perspective view thereof

FIG. 5 is a top plan view thereof;

FIG. 6 is a bottom plan view thereof;

FIG. 7 is a front view thereof;

FIG. 8 is rear view thereof;

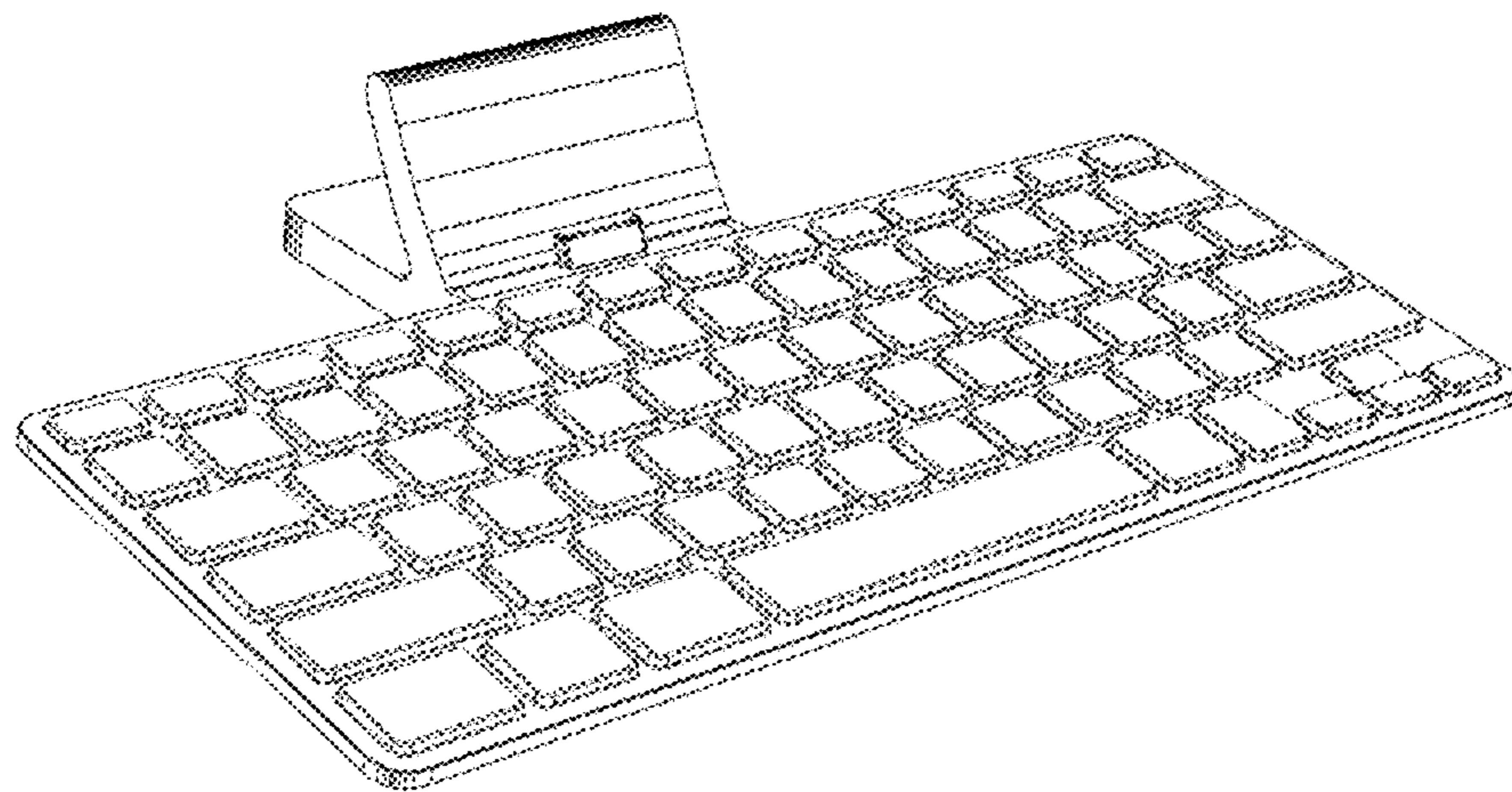
FIG. 9 is a side view thereof; and,

FIG. 10 is another side view thereof.

The shade lines in the Figures show contour and not surface
ornamentation.

The broken lines in the figures show portions of the docking
station which form no part of the claimed design.

1 Claim, 8 Drawing Sheets



US D659,143 S

Page 2

U.S. PATENT DOCUMENTS

6,657,853 B2 * 12/2003 Oba et al. 312/223.2
D486,488 S * 2/2004 Olodort et al. D14/396
D494,182 S 8/2004 Singer et al.
D507,526 S 7/2005 Ohta
D515,062 S 2/2006 Winebrenner et al.
6,999,008 B2 * 2/2006 Wang et al. 341/22
7,068,496 B2 * 6/2006 Wong et al. 361/679.28
D533,106 S * 12/2006 Schobinger et al. D11/141
7,200,702 B2 * 4/2007 Keely et al. 710/303
D545,821 S * 7/2007 Eroma et al. D14/393
D553,106 S 10/2007 Griffin
D572,246 S 7/2008 Andre et al.
D579,917 S 11/2008 Marchand et al.
D584,731 S 1/2009 Montgomery et al.
D593,988 S 6/2009 Liu et al.
D598,451 S 8/2009 Andre et al.
D599,792 S * 9/2009 Lin D14/331
D599,801 S 9/2009 Skaf et al.
D604,300 S 11/2009 Andre et al.
D604,736 S 11/2009 Andre et al.
D606,545 S * 12/2009 Salmon D14/434

D607,879 S 1/2010 Ferber et al.
D609,697 S 2/2010 Legrand et al.
D612,843 S 3/2010 Andre et al.
D612,844 S 3/2010 Andre et al.
D616,886 S 6/2010 Andre et al.
D619,996 S 7/2010 Demskie et al.
D621,402 S 8/2010 Andre et al.
D628,562 S 12/2010 Akana et al.
D633,498 S 3/2011 Andre et al.
D642,121 S 7/2011 Lee et al.
D642,519 S 8/2011 Woo et al.
D648,725 S * 11/2011 Akana et al. D14/434
2010/0118485 A1 5/2010 Crooijmans et al.

OTHER PUBLICATIONS

Images of Sony VAIO PCG-4G1L, available at least as early as May 8, 2006. 8 pages.
Search Report for New Design Patent Taiwan Application No. 099302712, completed Jan. 20, 2011, 1 page.

* cited by examiner

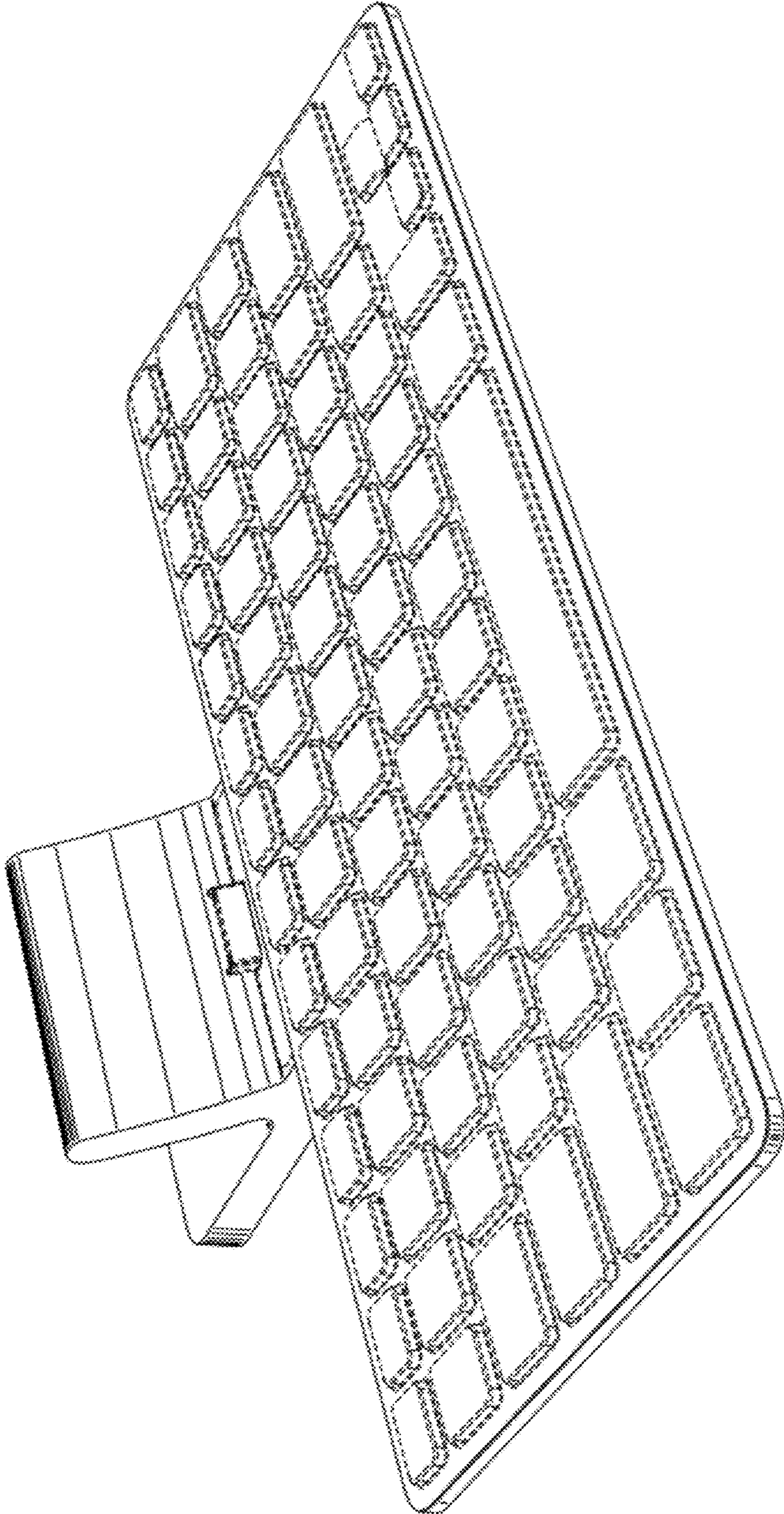


FIG. 1

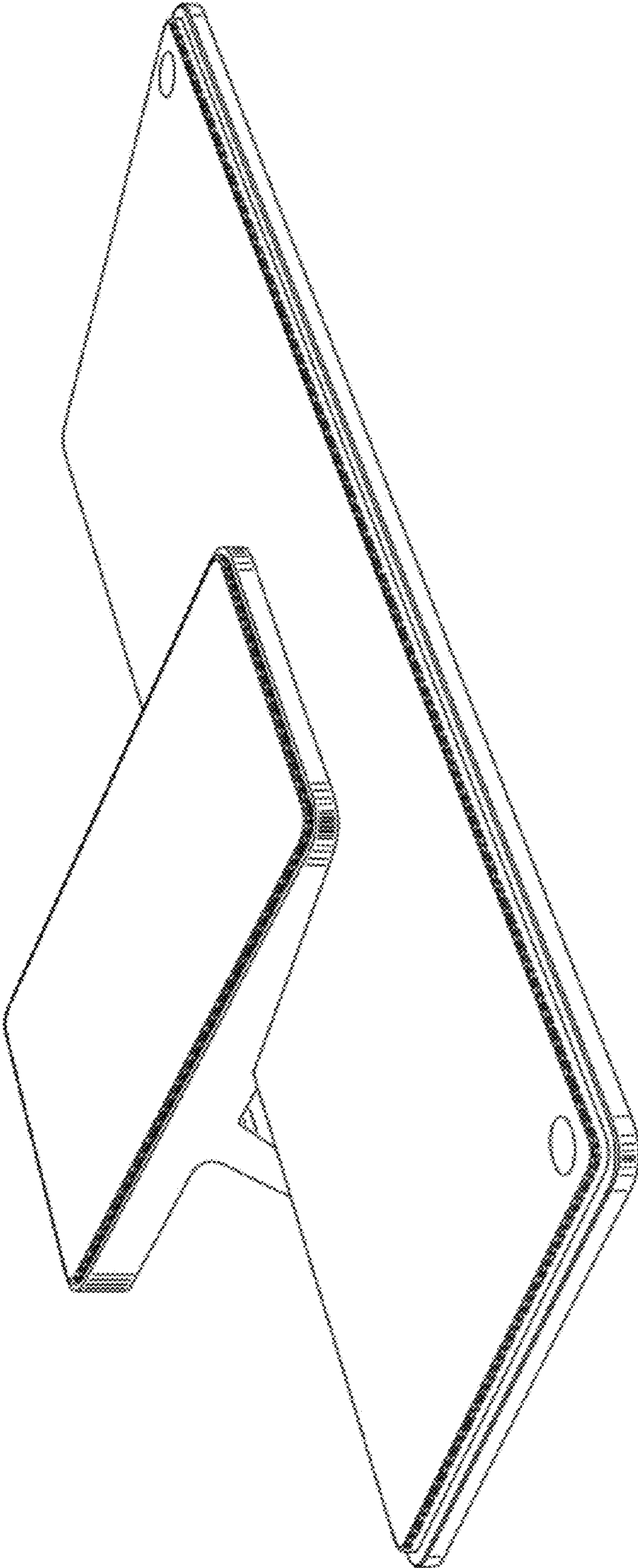


FIG. 2

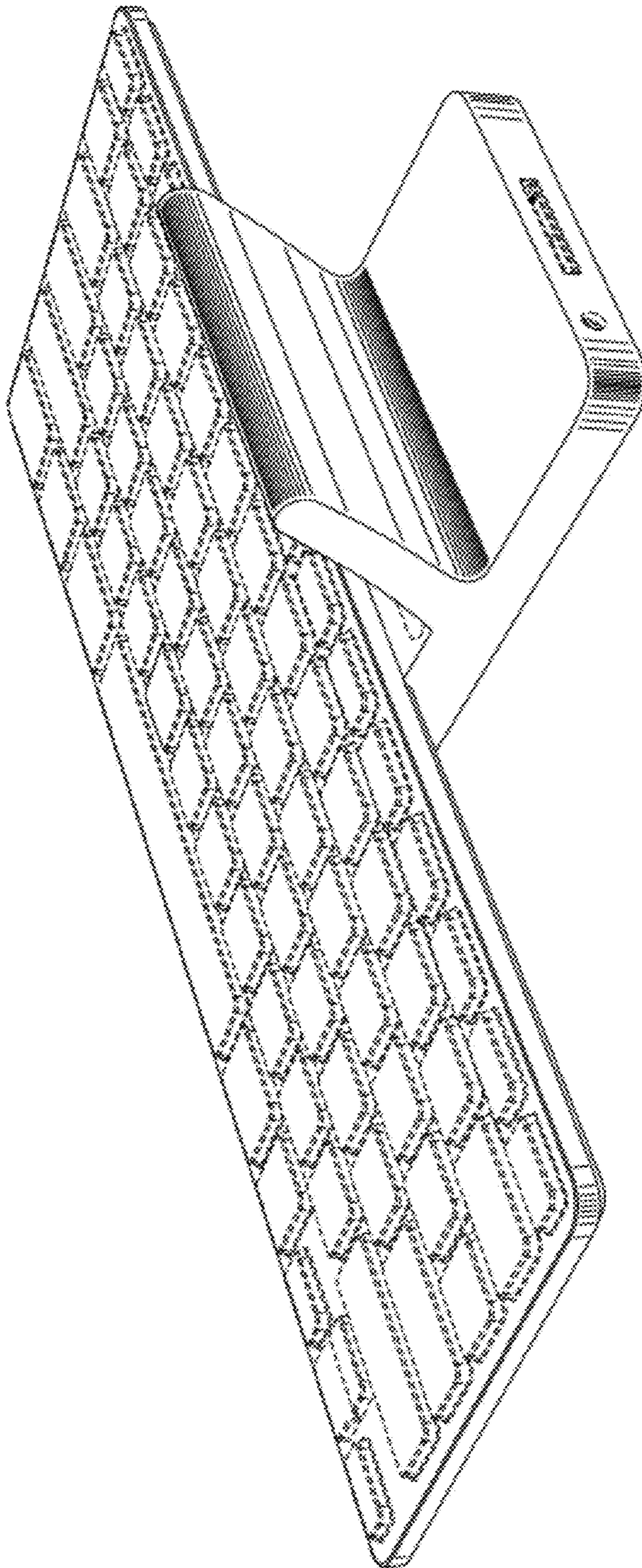


FIG. 3

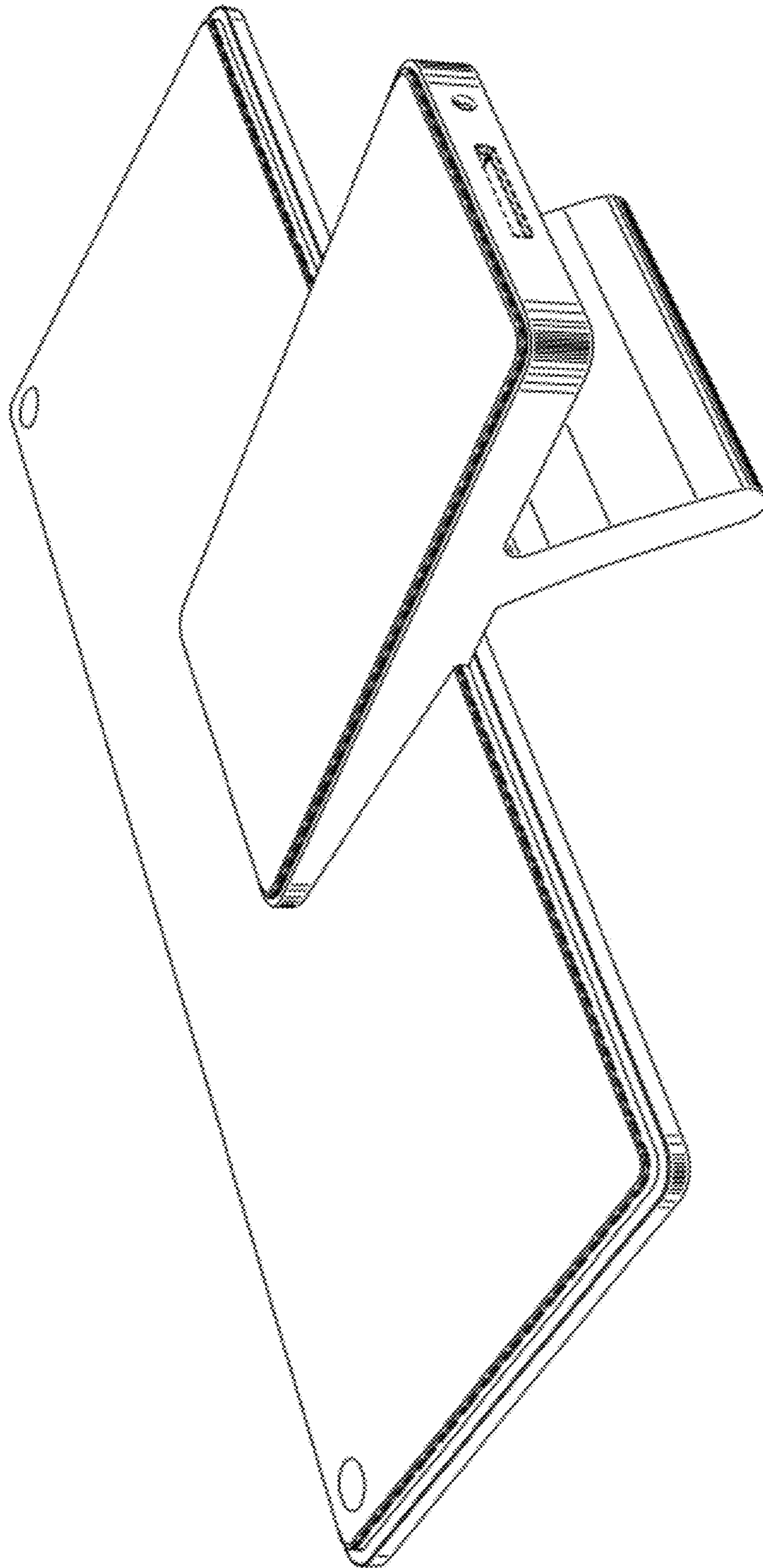


FIG. 4

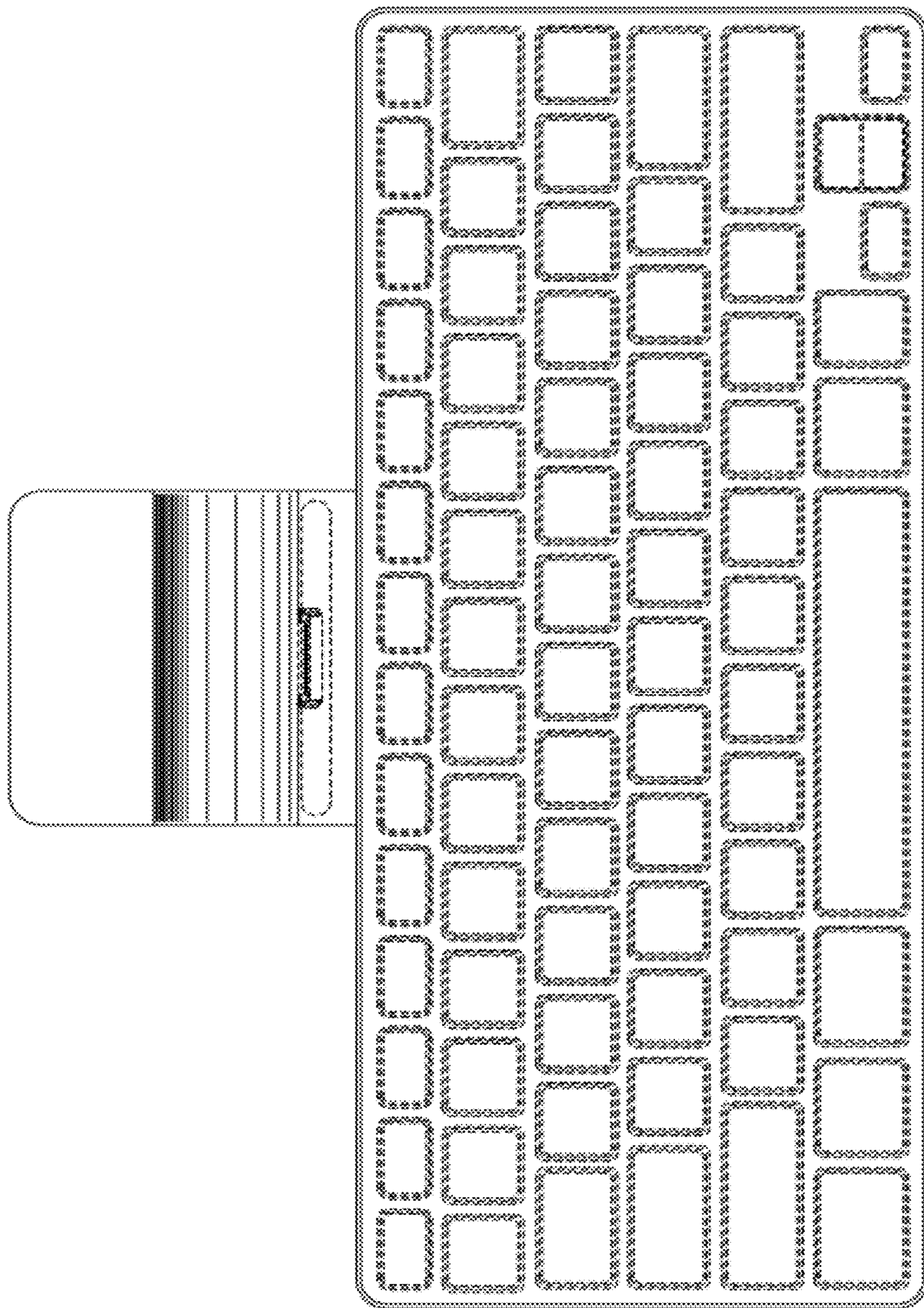


FIG. 5

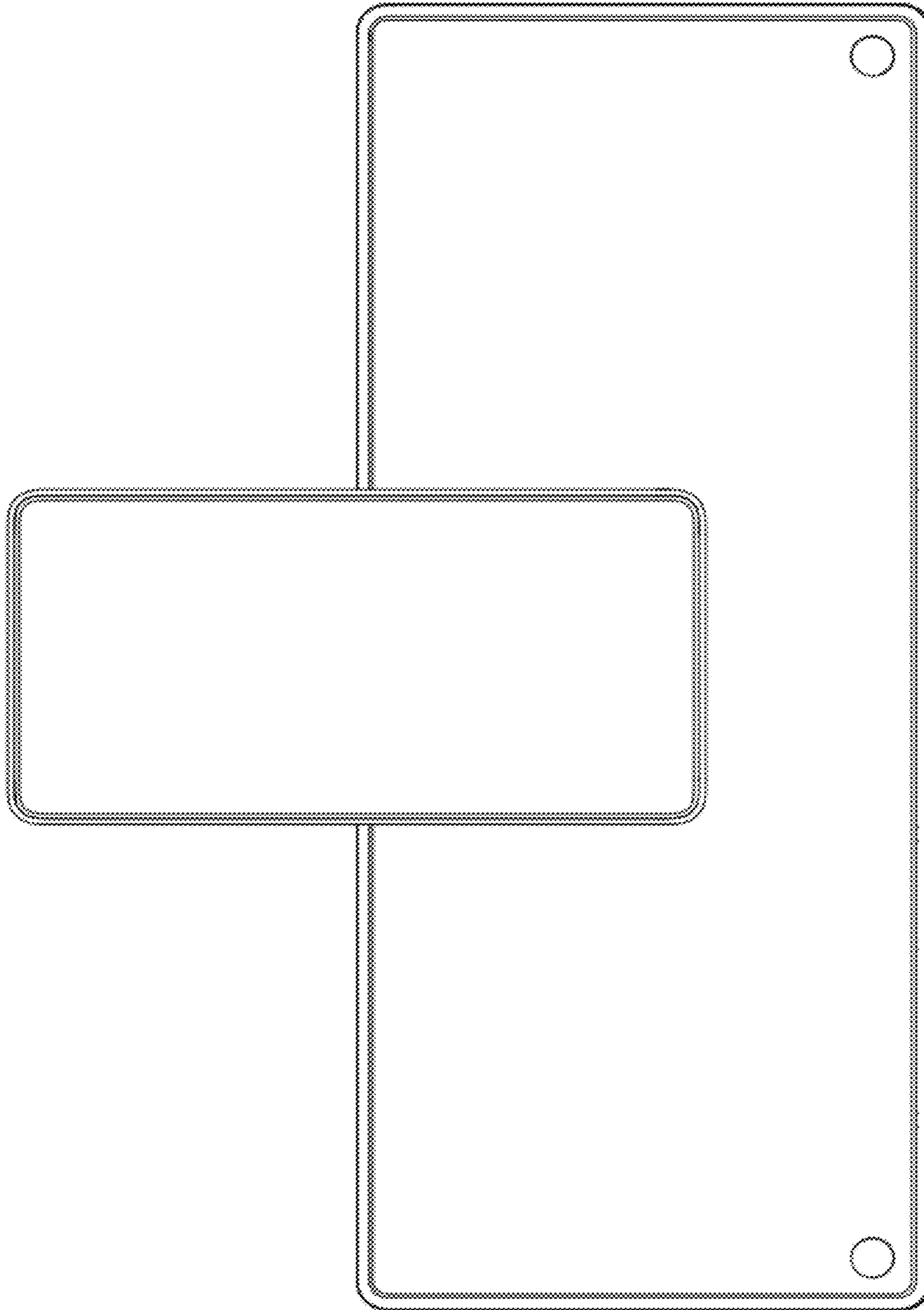


FIG. 6

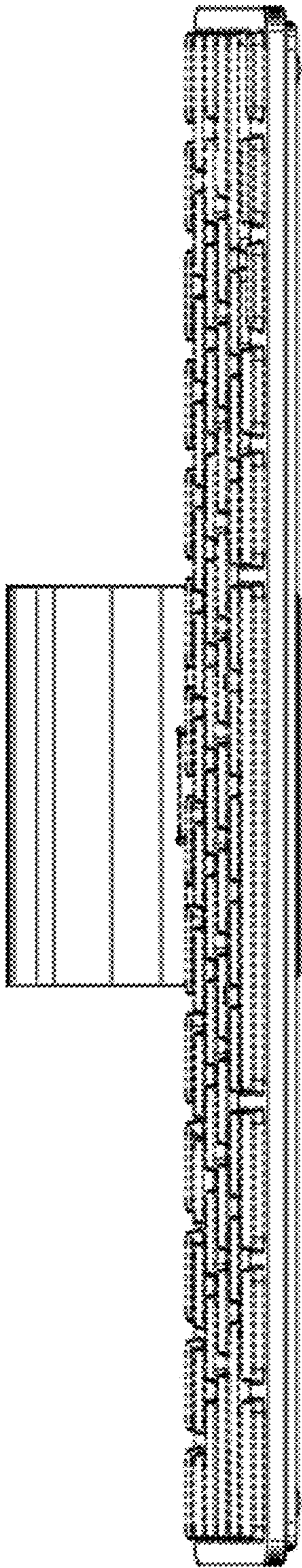


FIG. 7

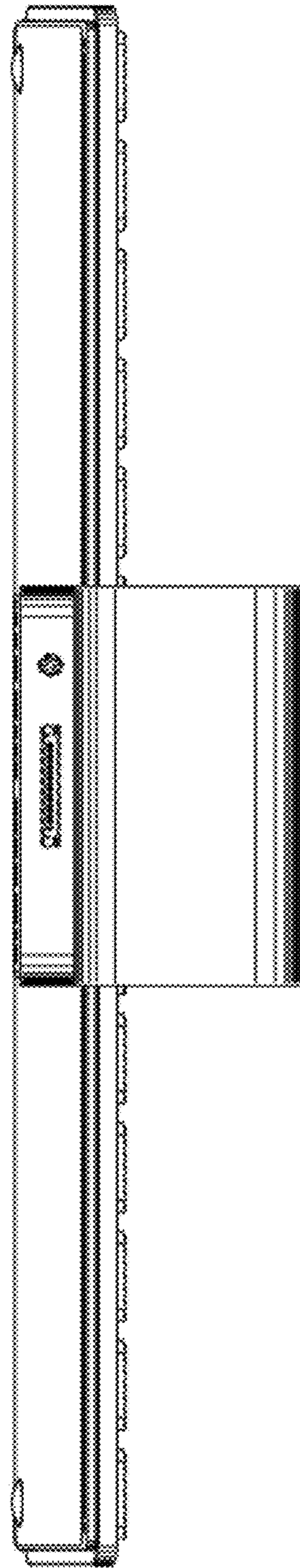


FIG. 8

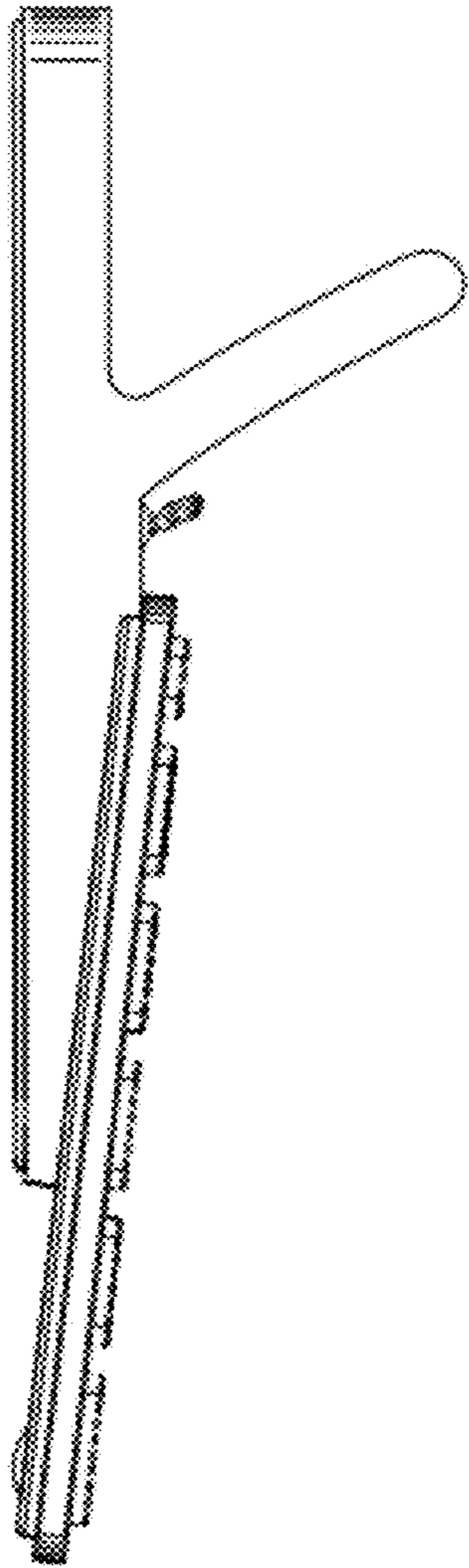


FIG. 9

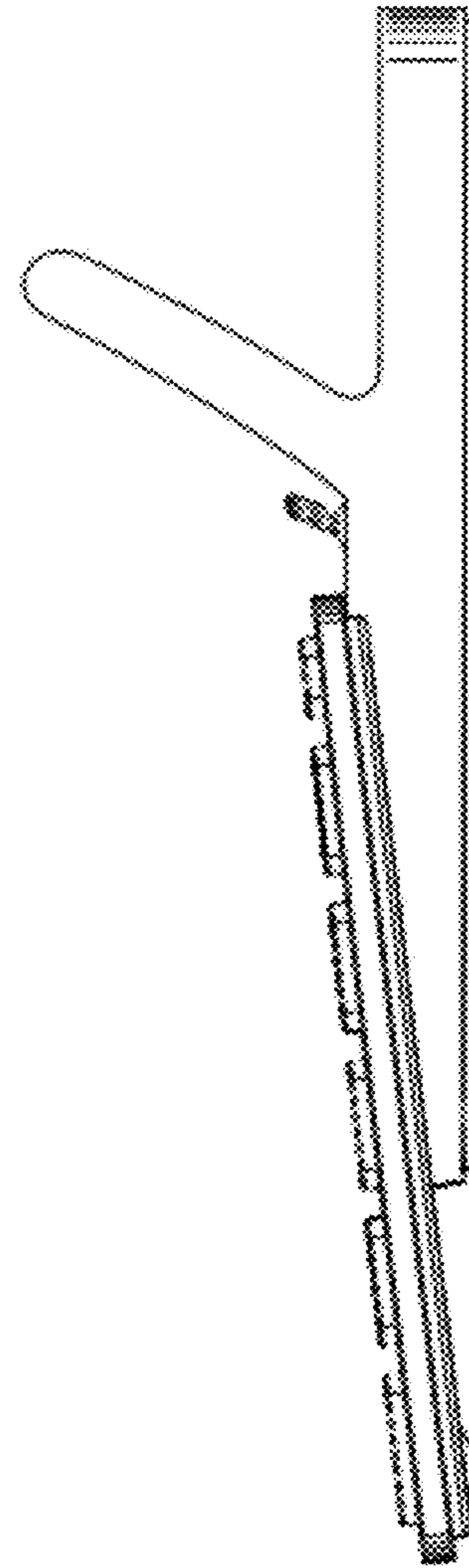


FIG. 10