



US00D659142S

(12) **United States Design Patent**
McQueen et al.

(10) **Patent No.:** **US D659,142 S**
(45) **Date of Patent:** **** May 8, 2012**

- (54) **WEIGH PLATTER OR COVER FOR A DATA READER**
- (75) Inventors: **Alexander M. McQueen**, Eugene, OR (US); **Jorge L. Acosta**, Eugene, OR (US)
- (73) Assignee: **Datalogic ADC, Inc.**, Eugene, OR (US)
- (**) Term: **14 Years**
- (21) Appl. No.: **29/394,795**
- (22) Filed: **Jun. 21, 2011**

Related U.S. Application Data

- (62) Division of application No. 29/382,063, filed on Dec. 28, 2010, now Pat. No. Des. 642,178, which is a division of application No. 29/353,568, filed on Jan. 11, 2010, now Pat. No. Des. 631,478.
 - (51) **LOC (9) Cl.** **14-02**
 - (52) **U.S. Cl.** **D14/421; D14/453**
 - (58) **Field of Classification Search** D14/420-425, D14/462-470, 389, 125, 399, 453; D18/50, D18/54, 55, 53, 36-39, 14, 18-21, 49, 52, D18/51, 54.4; 358/400, 401, 448, 474, 486-488, 358/496; 382/312, 317, 321, 315; 400/613, 400/613.1-613.4, 690.1-690.4, 691-694, 400/88, 175; 399/107, 379, 380, 211, 212; 235/462.11, 462.41, 472.01, 470, 462.43; 361/680, 681
- See application file for complete search history.

(56) **References Cited**

U.S. PATENT DOCUMENTS

| | | |
|-------------|---------|---------------------|
| 2,634,016 A | 4/1953 | Hagen |
| 3,935,913 A | 2/1976 | Wagner et al. |
| 3,935,914 A | 2/1976 | Nordstrom et al. |
| D249,510 S | 9/1978 | Wu et al. |
| 4,652,732 A | 3/1987 | Nickl |
| 4,656,344 A | 4/1987 | Mergenthaler et al. |
| 4,700,656 A | 10/1987 | Cone et al. |

| | | |
|---------------|---------|----------------------------|
| 4,716,281 A | 12/1987 | Amacher et al. |
| 4,719,980 A | 1/1988 | Knothe et al. |
| 4,794,240 A | 12/1988 | Schorr et al. |
| 4,799,164 A | 1/1989 | Hellekson et al. |
| 4,861,973 A | 8/1989 | Hellekson et al. |
| 4,881,606 A | 11/1989 | Halfon et al. |
| 4,909,338 A * | 3/1990 | Vitunic et al. 177/50 |
| D310,352 S * | 9/1990 | Kato et al. D18/4.5 |
| 4,971,177 A | 11/1990 | Nojiri et al. |
| D312,631 S | 12/1990 | Schorr et al. |

(Continued)

OTHER PUBLICATIONS

U.S. Appl. No. 12/985,271, filed Jan. 5, 2011 entitled "System and Method for Data Reading with Low Profile Arrangement" by Alexander M. McQueen, Jorge L. Acosta, and Alan Shearin, which claims priority to U.S. Appl. No. 61/293,560, filed Jan. 8, 2010.

(Continued)

Primary Examiner — Susan Moon Lee

(74) *Attorney, Agent, or Firm* — Stoel Rives LLP

(57) **CLAIM**

We claim the ornamental design for a weigh platter or cover for a data reader, as shown and described.

DESCRIPTION

FIG. 1 is a front, top, right isometric view of a front portion of a weigh platter or cover for a data reader showing the new design;

FIG. 2 is a rear right isometric view thereof;

FIG. 3 is a right side elevation view thereof, the left side elevation view being a mirror image duplicate;

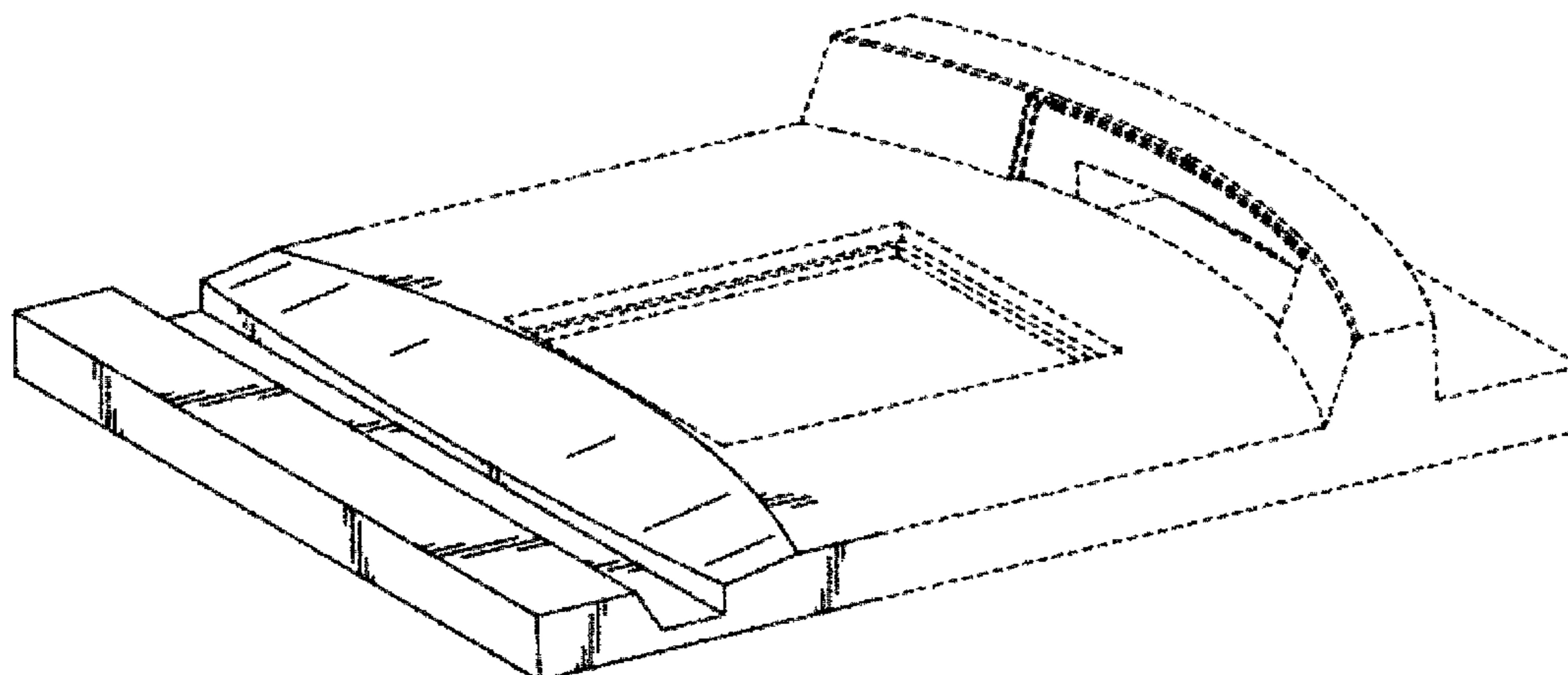
FIG. 4 is a rear side elevation view thereof.

FIG. 5 is a top plan view thereof; and,

FIG. 6 is a front side elevation view thereof.

The broken line elements are not claimed. The appearance of the underside of the invention is not claimed and is therefore not disclosed in the drawing views.

1 Claim, 3 Drawing Sheets



US D659,142 S

Page 2

| U.S. PATENT DOCUMENTS | | | | | | | | | |
|-----------------------|------|---------|-----------------------------|--------------|------|---|---------|-----------------------|------------|
| 5,005,670 | A | 4/1991 | Nojiri | D545,882 | S | * | 7/2007 | Sato | D18/4.4 |
| 5,033,562 | A * | 7/1991 | Cone 177/128 | D550,076 | S | | 9/2007 | Ni | |
| 5,042,821 | A | 8/1991 | Bontly | D553,669 | S * | | 10/2007 | Henry et al. | D18/4.6 |
| 5,143,164 | A | 9/1992 | Nahar | D560,220 | S | | 1/2008 | Barron | |
| 5,174,399 | A | 12/1992 | Brauneis | RE40,071 | E | | 2/2008 | Svetal et al. | |
| 5,229,588 | A | 7/1993 | Detwiler et al. | D562,780 | S | | 2/2008 | Egea Soler | |
| 5,235,168 | A | 8/1993 | Bobba | 7,339,123 | B2 | | 3/2008 | Yamashita | |
| 5,241,321 | A | 8/1993 | Tsao | 7,374,092 | B2 | | 5/2008 | Acosta et al. | |
| 5,268,565 | A | 12/1993 | Katoh et al. | D570,348 | S | | 6/2008 | Turpault et al. | |
| 5,343,000 | A | 8/1994 | Griffen et al. | D585,056 | S | | 1/2009 | Ekelund | |
| 5,410,108 | A | 4/1995 | Williams et al. | 7,495,564 | B2 | | 2/2009 | Harold et al. | |
| 5,548,417 | A | 8/1996 | Sekimoto et al. | 7,554,042 | B2 | | 6/2009 | Gregerson et al. | |
| D375,735 | S | 11/1996 | Tochishita | 7,619,527 | B2 | | 11/2009 | Friend et al. | |
| 5,588,621 | A | 12/1996 | Collins et al. | D608,362 | S | | 1/2010 | Barron et al. | |
| D377,342 | S | 1/1997 | Lin | 7,681,795 | B2 | | 3/2010 | Roquemore | |
| D379,453 | S | 5/1997 | Fabrizi | 7,753,269 | B2 | | 7/2010 | Russell et al. | |
| 5,646,376 | A | 7/1997 | Kroll et al. | 7,774,104 | B2 | | 8/2010 | Itoh | |
| 5,661,297 | A | 8/1997 | Aleshire et al. | 7,780,087 | B2 | | 8/2010 | Bobba et al. | |
| D385,536 | S * | 10/1997 | Forsythe D14/340 | D631,478 | S | | 1/2011 | McQueen et al. | |
| D385,903 | S | 11/1997 | Kim | D642,178 | S | | 7/2011 | McQueen | |
| D388,415 | S | 12/1997 | Seabert | 8,033,461 | B2 * | | 10/2011 | Barron et al. | 235/383 |
| 5,747,744 | A | 5/1998 | Kraft et al. | 2001/0055978 | A1 | | 12/2001 | Herrod et al. | |
| 5,773,767 | A | 6/1998 | Collins et al. | 2002/0003050 | A1 | | 1/2002 | Stephens | |
| 5,834,708 | A | 11/1998 | Svetal et al. | 2002/0123932 | A1 | | 9/2002 | Brenhouse | |
| 5,886,336 | A | 3/1999 | Tang et al. | 2004/0000591 | A1 | | 1/2004 | Collins et al. | |
| 5,917,412 | A | 6/1999 | Martin | 2004/0065740 | A1 | | 4/2004 | Mergenthaler et al. | |
| 5,955,705 | A | 9/1999 | Germanton | 2004/0189472 | A1 | | 9/2004 | Acosta et al. | |
| 6,085,979 | A | 7/2000 | Maddox | 2004/0217175 | A1 | | 11/2004 | Bobba et al. | |
| 6,145,629 | A * | 11/2000 | Addy 186/61 | 2005/0072605 | A1 | | 4/2005 | Kunzi et al. | |
| 6,155,489 | A | 12/2000 | Collins et al. | 2005/0098634 | A1 | | 5/2005 | Good | |
| 6,161,758 | A | 12/2000 | Collins et al. | 2005/0145694 | A1 | | 7/2005 | Collins et al. | |
| 6,176,774 | B1 | 1/2001 | Filiberti et al. | 2006/0255134 | A1 * | | 11/2006 | Schmidt et al. | 235/383 |
| 6,188,500 | B1 | 2/2001 | Rudeen et al. | 2007/0063045 | A1 | | 3/2007 | Acosta et al. | |
| D442,596 | S | 5/2001 | Lin et al. | 2007/0080228 | A1 * | | 4/2007 | Knowles et al. | 235/462.42 |
| 6,237,852 | B1 | 5/2001 | Svetal et al. | 2007/0221733 | A1 | | 9/2007 | Roquemore | |
| 6,239,863 | B1 | 5/2001 | Catey et al. | 2008/0061139 | A1 * | | 3/2008 | Roquemore | 235/383 |
| 6,281,796 | B1 | 8/2001 | Canipe et al. | 2008/0149400 | A1 * | | 6/2008 | Gregerson et al. | 177/239 |
| 6,296,184 | B1 * | 10/2001 | Dejaeger 235/383 | 2008/0151328 | A1 | | 6/2008 | Gregerson et al. | |
| D451,509 | S | 12/2001 | Liston et al. | 2008/0164309 | A1 | | 7/2008 | Latimer et al. | |
| 6,330,973 | B1 | 12/2001 | Bridgelall et al. | 2009/0188980 | A1 | | 7/2009 | Bobba et al. | |
| 6,343,739 | B1 | 2/2002 | Lippert | 2009/0194595 | A1 * | | 8/2009 | Gregerson | 235/462.43 |
| 6,405,049 | B2 | 6/2002 | Herrod et al. | 2009/0321518 | A1 * | | 12/2009 | Barron et al. | 235/383 |
| 6,481,626 | B1 | 11/2002 | Nehar | 2010/0139989 | A1 | | 6/2010 | Atwater et al. | |
| 6,502,753 | B2 | 1/2003 | Detwiler et al. | 2010/0148967 | A1 | | 6/2010 | Friend et al. | |
| D477,321 | S | 7/2003 | Baughman | 2010/0163626 | A1 | | 7/2010 | Olmstead | |
| 6,601,768 | B2 | 8/2003 | McCall et al. | 2010/0163627 | A1 | | 7/2010 | Olmstead | |
| D480,725 | S | 10/2003 | Funato | 2010/0163628 | A1 | | 7/2010 | Olmstead | |
| D484,136 | S | 12/2003 | Ivan et al. | 2010/0282850 | A1 | | 11/2010 | Olmstead | |
| 6,758,402 | B1 | 7/2004 | Check et al. | 2011/0168780 | A1 | | 7/2011 | McQueen et al. | |
| 6,764,010 | B2 | 7/2004 | Collins et al. | 2011/0232972 | A1 * | | 9/2011 | McQueen et al. | 177/1 |
| D493,695 | S | 8/2004 | Wengrower | 2011/0256465 | A1 * | | 10/2011 | Iyer et al. | 429/469 |
| 6,794,586 | B1 * | 9/2004 | Mason 177/25.15 | | | | | | |
| 6,830,186 | B1 | 12/2004 | Nahar | | | | | | |
| 6,854,647 | B2 * | 2/2005 | Collins et al. 235/383 | | | | | | |
| 6,866,197 | B1 | 3/2005 | Detwiler et al. | | | | | | |
| D508,198 | S | 8/2005 | Holger | | | | | | |
| D510,090 | S | 9/2005 | Obara et al. | | | | | | |
| D514,583 | S | 2/2006 | Wakatabi et al. | | | | | | |
| 7,051,922 | B2 | 5/2006 | Check et al. | | | | | | |
| 7,075,009 | B1 | 7/2006 | Rohmer | | | | | | |
| D525,975 | S | 8/2006 | Khovaylo | | | | | | |
| D532,009 | S | 11/2006 | Zank et al. | | | | | | |
| 7,172,123 | B2 | 2/2007 | Acosta et al. | | | | | | |
| D543,580 | S * | 5/2007 | Henry D18/4.4 | | | | | | |

OTHER PUBLICATIONS

U.S. Appl. No. 12/774,633, filed May 5, 2010, entitled "Imaging Scanner-Scale with Low Vertical Profile" by Bryan L. Olmstead and Benjamin K. Roberts.
 Brochure for Datalogic All-Weighs® Scale Platter (Jan. 7, 2010).
 Brochure for Datalogic Scanning, Inc. Magellan® 8400 Scanner Scale (2008).
 Brochure for Datalogic Scanning, Inc. Magellan® 8300 Scanner-Scale (2008).
 Brochure for Datalogic Scanning, Inc. Magellan® 8500 Xt Scanner-Scale (2010).

* cited by examiner

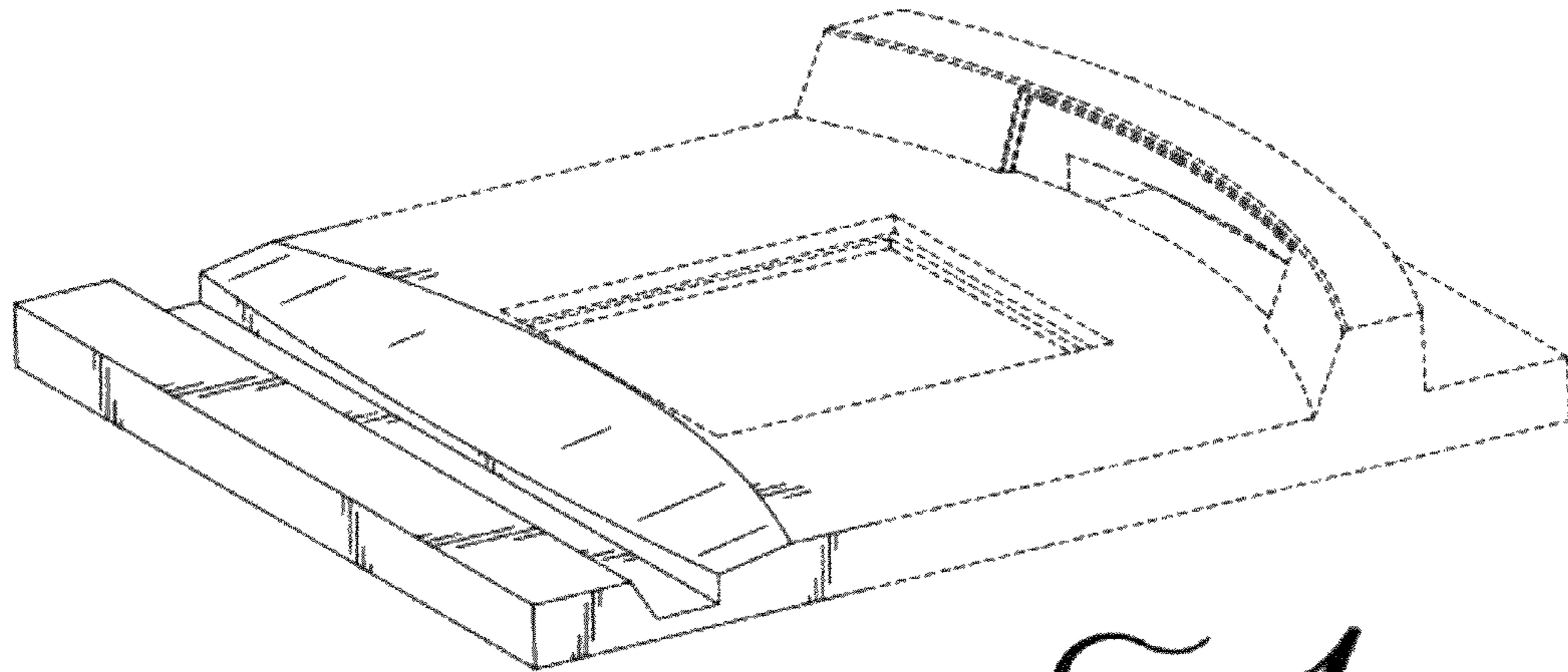


FIG. 1

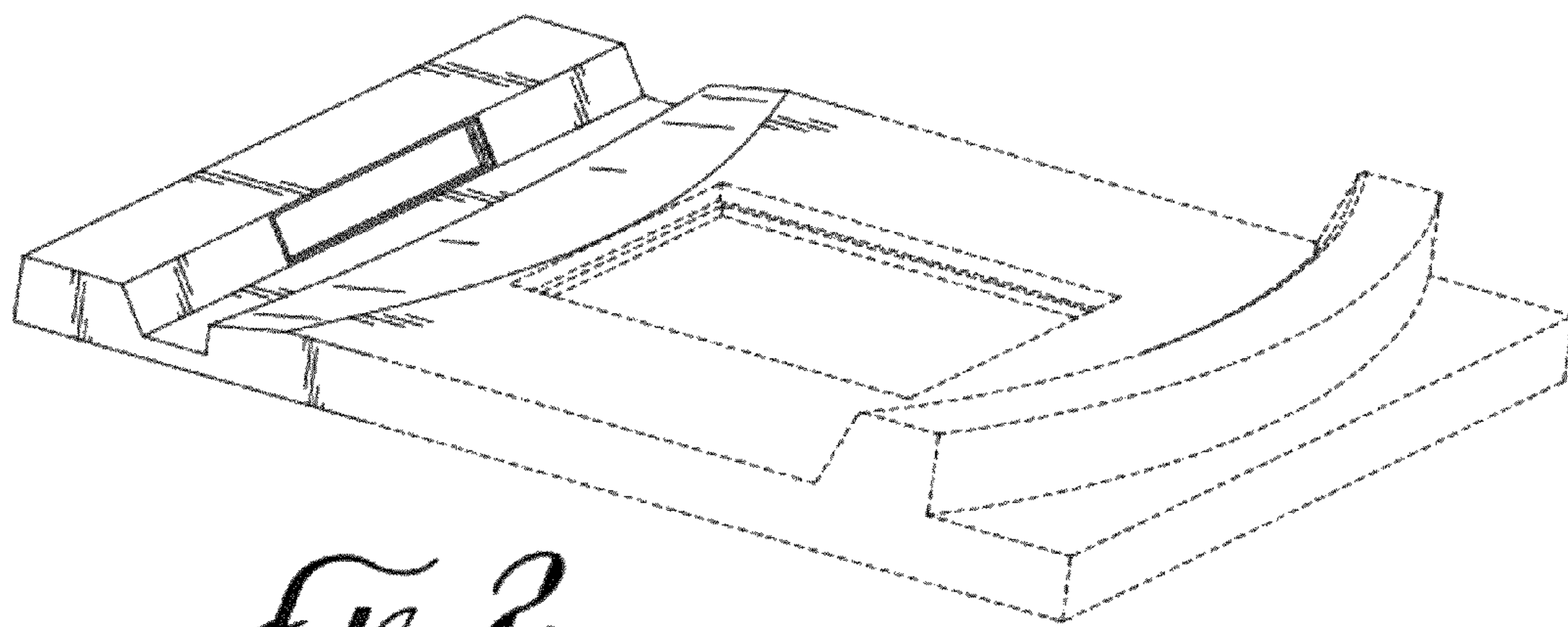


FIG. 2

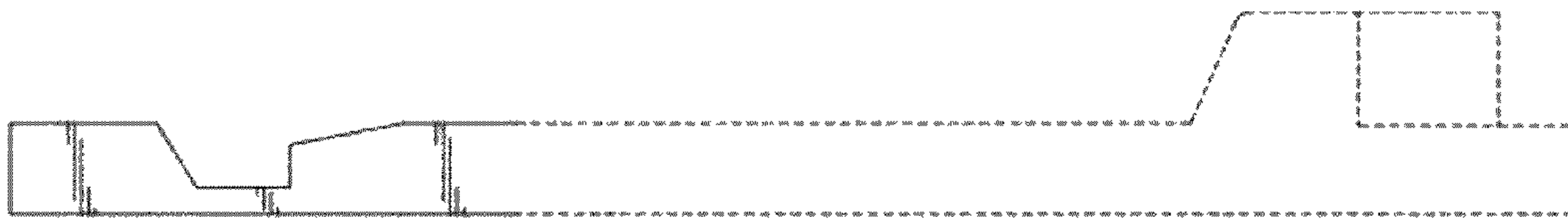


FIG. 3

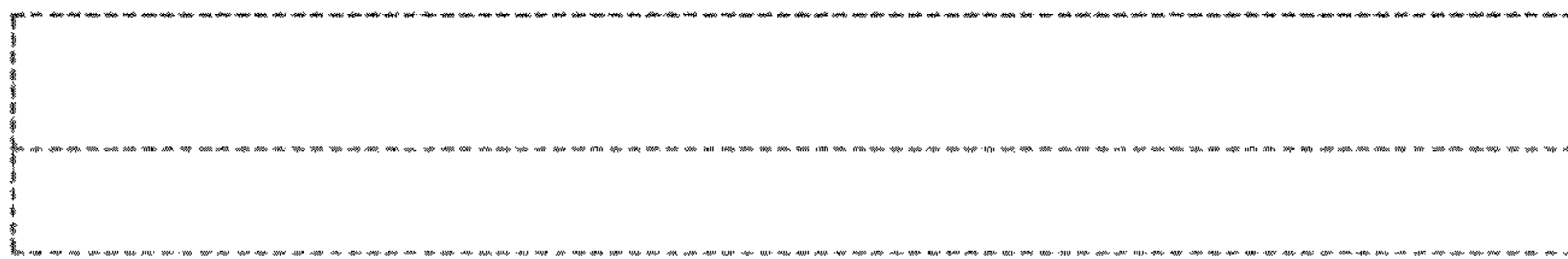


FIG. 4

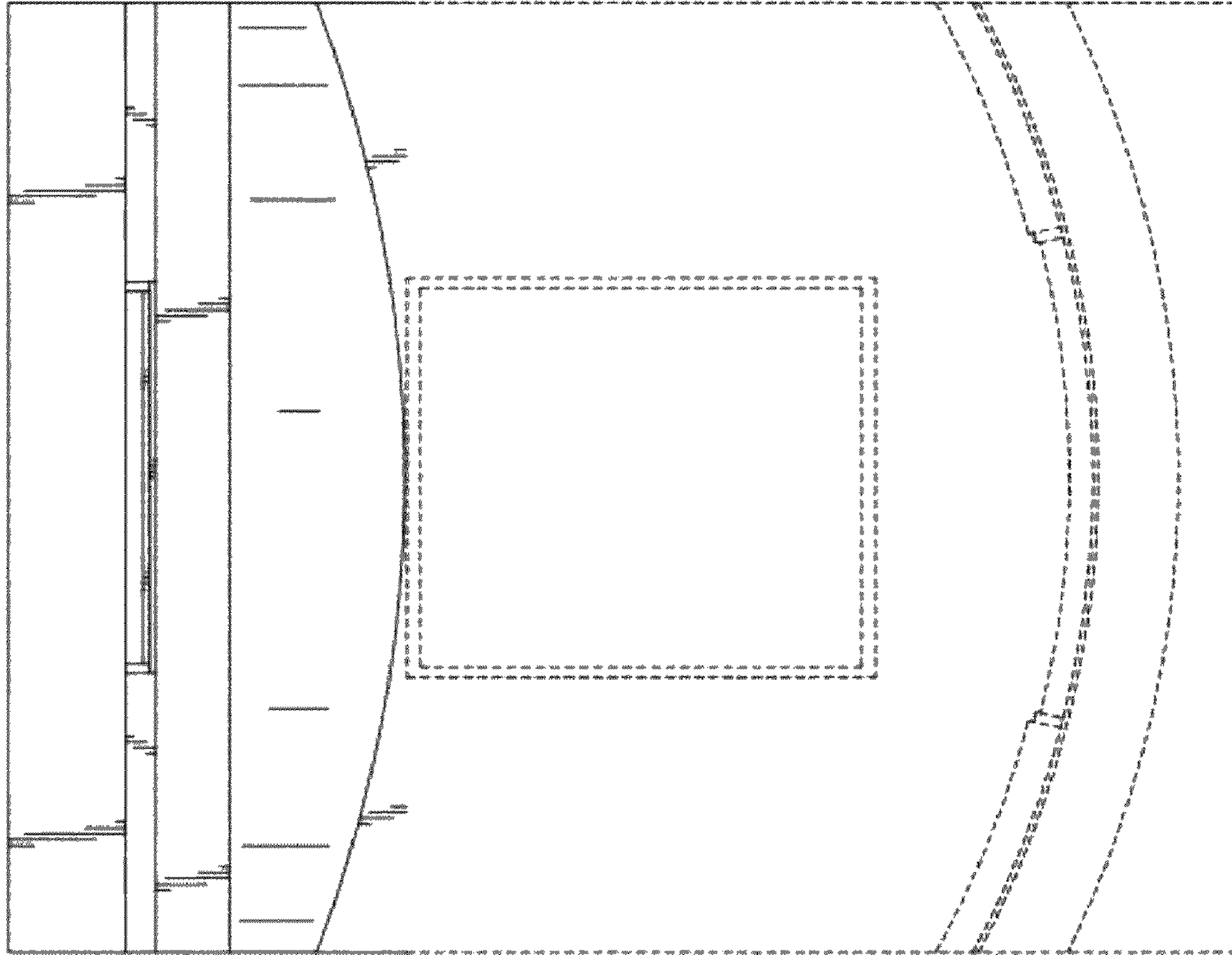


FIG. 5

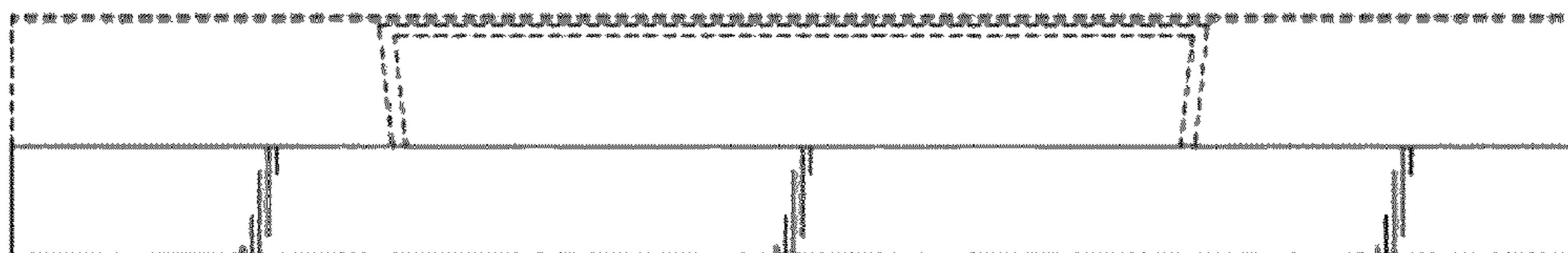


FIG. 6