



US00D659141S

(12) **United States Design Patent**
Watson

(10) **Patent No.:** **US D659,141 S**

(45) **Date of Patent:** **** May 8, 2012**

(54) **STYLUS**

(76) **Inventor:** **Michael Watson**, Nashville, TN (US)

(**) **Term:** **14 Years**

(21) **Appl. No.:** **29/401,357**

(22) **Filed:** **Sep. 11, 2011**

(51) **LOC (9) Cl.** **14-02**

(52) **U.S. Cl.** **D14/411**

(58) **Field of Classification Search** D8/61;
D14/411; D19/35, 36, 41-51, 54-58; 401/55,
401/99, 100, 104-107, 196, 197, 202, 208,
401/209, 213, 192, 195, 243; 708/107; 345/179,
345/173; 178/19.01; 700/94
See application file for complete search history.

(56) **References Cited**

U.S. PATENT DOCUMENTS

D321,207 S *	10/1991	Granoff	D19/49
D333,133 S *	2/1993	Hirota	D14/411
D357,676 S *	4/1995	Mundt et al.	D14/411
D451,137 S *	11/2001	Reichmann	D19/36
D458,635 S *	6/2002	Boyle et al.	D19/36
D491,983 S *	6/2004	Izushima	D19/49
D509,850 S *	9/2005	Bhavnani	D19/36
D530,372 S *	10/2006	Sugino et al.	D19/36

D584,772 S *	1/2009	Hackenberg et al.	D19/51
D614,623 S *	4/2010	Crisp et al.	D14/411
D628,640 S *	12/2010	Wang	D19/50
D628,641 S *	12/2010	Zhang	D19/50
D631,095 S *	1/2011	Mizutani	D19/45
D644,227 S *	8/2011	Son	D14/411
D646,279 S *	10/2011	Shih et al.	D14/411
D646,324 S *	10/2011	Chu	D19/49
D647,963 S *	11/2011	Chu	D19/47
D648,786 S *	11/2011	Jianjie	D19/36
D650,442 S *	12/2011	Kim	D19/48

* cited by examiner

Primary Examiner — Austin Murphy

(74) *Attorney, Agent, or Firm* — QuickPatents, Inc.; Kevin Prince

(57) **CLAIM**

The ornamental design for a stylus, as shown and described.

DESCRIPTION

FIG. 1 is a perspective view of a stylus, showing the new design;

FIG. 2 is a top plan view thereof;

FIG. 3 is a bottom plan view thereof;

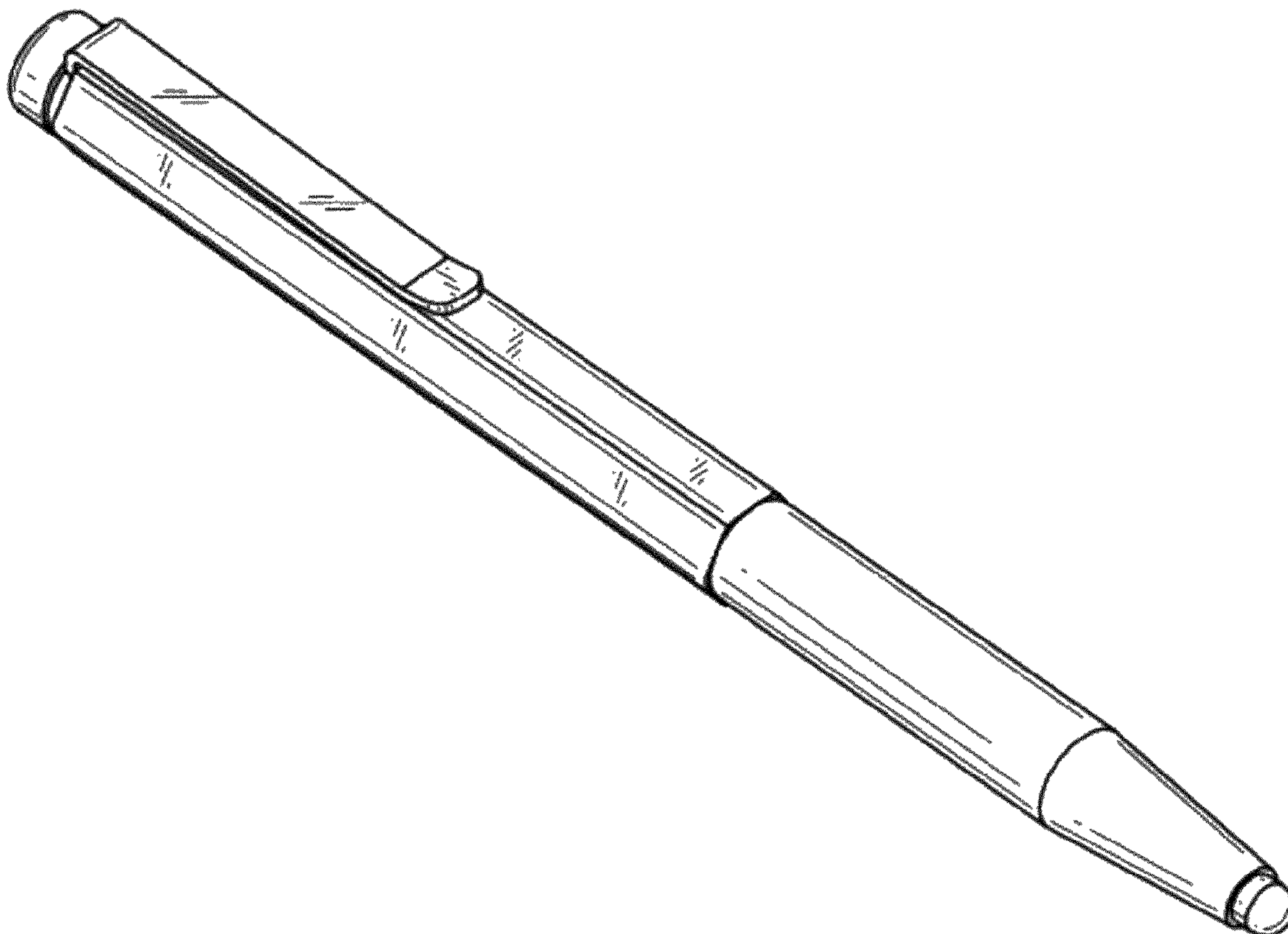
FIG. 4 is a front elevational view thereof;

FIG. 5 is a rear elevational view thereof;

FIG. 6 is a left-side elevational view view thereof; and,

FIG. 7 is a right-side elevational view view thereof.

1 Claim, 2 Drawing Sheets



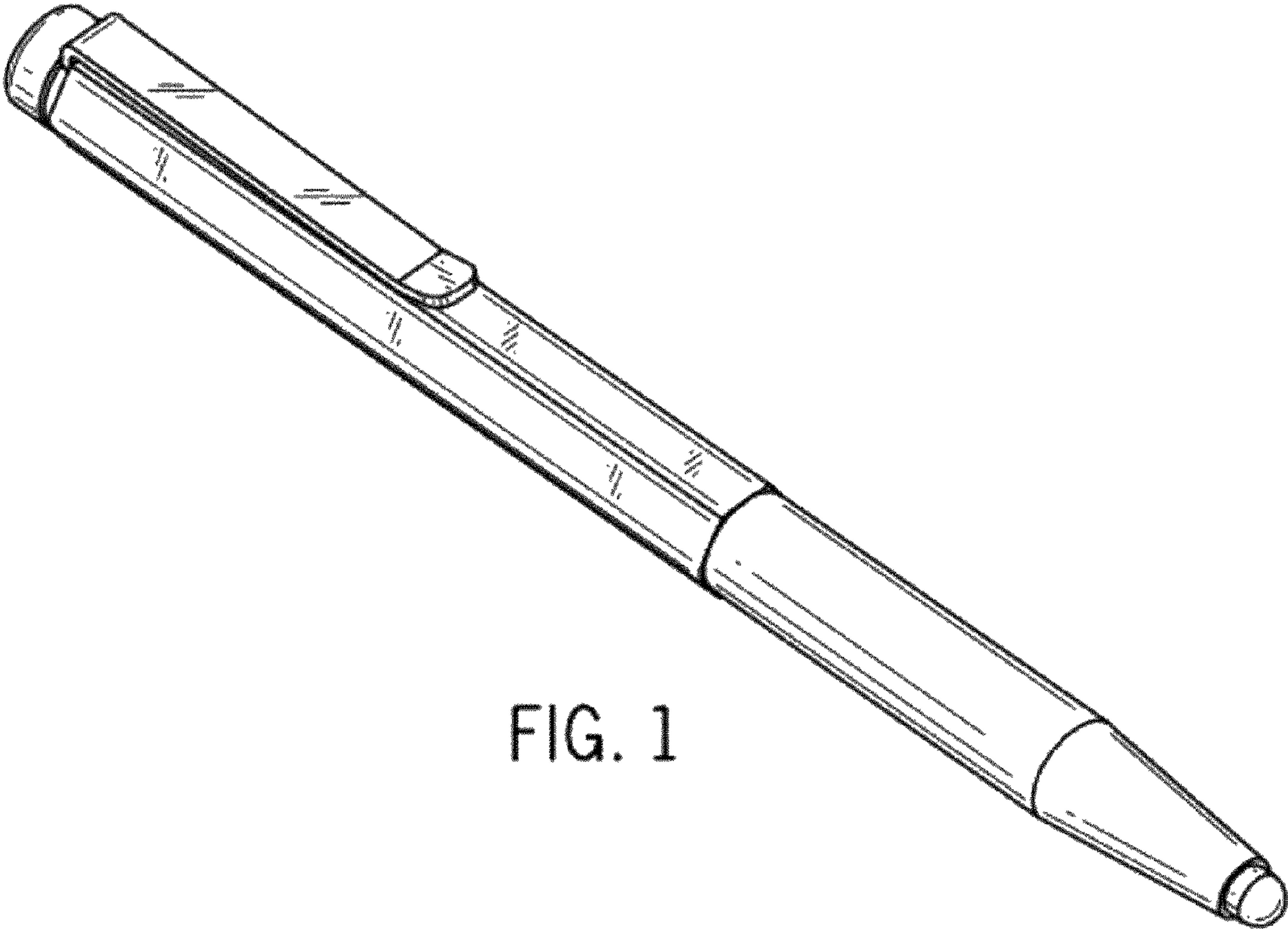


FIG. 1

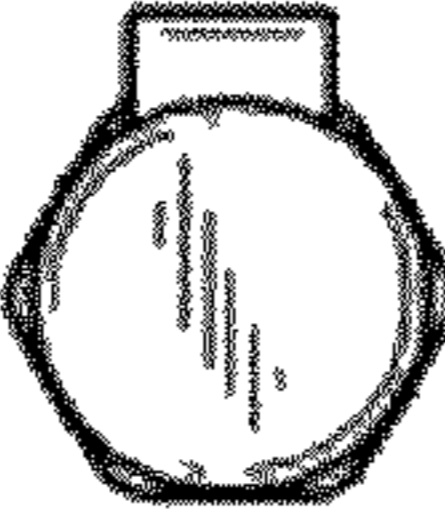


FIG. 2

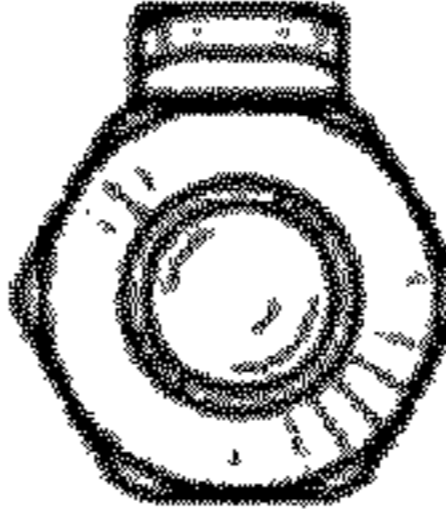


FIG. 3

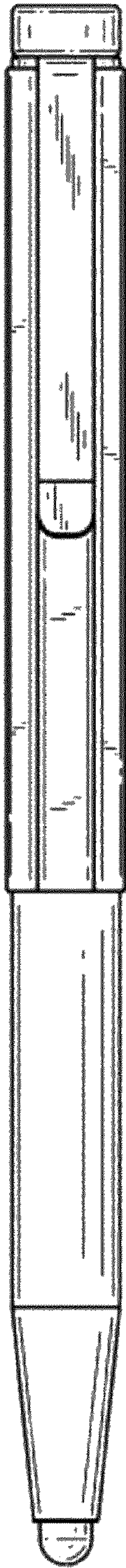


FIG. 4

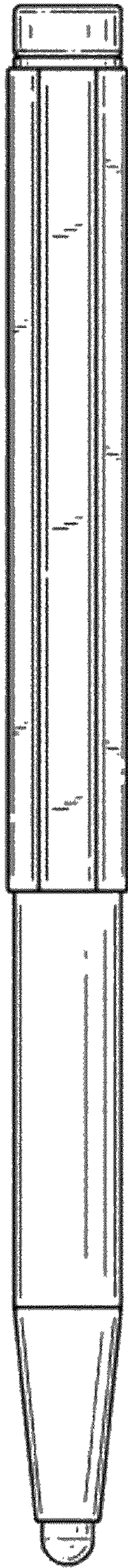


FIG. 5

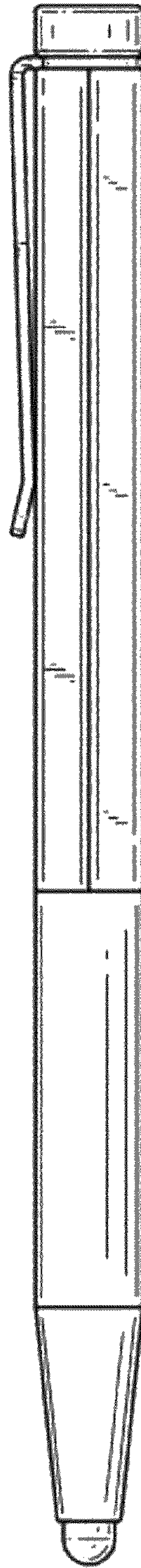


FIG. 6

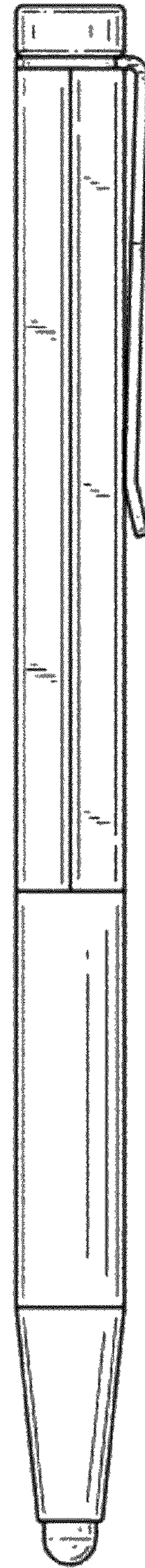


FIG. 7