



US00D659136S

(12) **United States Design Patent**
Matsumoto

(10) **Patent No.:** **US D659,136 S**
(45) **Date of Patent:** **** May 8, 2012**

(54) **IMAGE DISPLAY DEVICE**

(75) Inventor: **Shigeru Matsumoto**, Toyokawa (JP)

(73) Assignee: **Brother Industries, Ltd.**, Nagoya (JP)

(**) Term: **14 Years**

(21) Appl. No.: **29/358,217**

(22) Filed: **Mar. 24, 2010**

(30) **Foreign Application Priority Data**

Oct. 19, 2009 (JP) 2009-24472

(51) **LOC (9) Cl.** **14-02**

(52) **U.S. Cl.** **D14/372; D16/330**

(58) **Field of Classification Search** D14/372,
D14/432, 496, 299; D16/330, 130; 345/8;
351/158

See application file for complete search history.

(56) **References Cited**

U.S. PATENT DOCUMENTS

D195,365	S *	6/1963	Holt	D16/130
D371,549	S *	7/1996	Ronzani et al.	D14/372
5,751,260	A *	5/1998	Nappi et al.	345/8
D402,651	S *	12/1998	Depay et al.	D14/372
D429,253	S *	8/2000	Robertson et al.	D14/372
D436,960	S *	1/2001	Budd et al.	D14/372
D512,985	S *	12/2005	Travers et al.	D14/206
D537,078	S *	2/2007	Tanaka et al.	D14/372
D559,250	S *	1/2008	Pombo	D14/372
7,372,451	B2 *	5/2008	Dempski	345/158
7,631,968	B1 *	12/2009	Dobson et al.	351/158

D609,236	S *	2/2010	Matsumoto et al.	D14/372
7,675,683	B2 *	3/2010	Dobson et al.	359/630
7,808,714	B2 *	10/2010	Ando	359/630
7,922,322	B2 *	4/2011	Moliton et al.	351/158
8,038,292	B2 *	10/2011	Matsumoto et al.	351/158
2002/0089469	A1 *	7/2002	Cone et al.	345/8
2002/0097321	A1 *	7/2002	McBride	345/8
2003/0090439	A1 *	5/2003	Spitzer et al.	345/8
2005/0219152	A1 *	10/2005	Budd et al.	345/8
2010/0156836	A1 *	6/2010	Katayama	345/173
2011/0012814	A1 *	1/2011	Tanaka	345/8
2011/0267321	A1 *	11/2011	Hayakawa	345/204

* cited by examiner

Primary Examiner — Deanna L Fluegeman

(74) *Attorney, Agent, or Firm* — Oliff & Berridge, PLC

(57) **CLAIM**

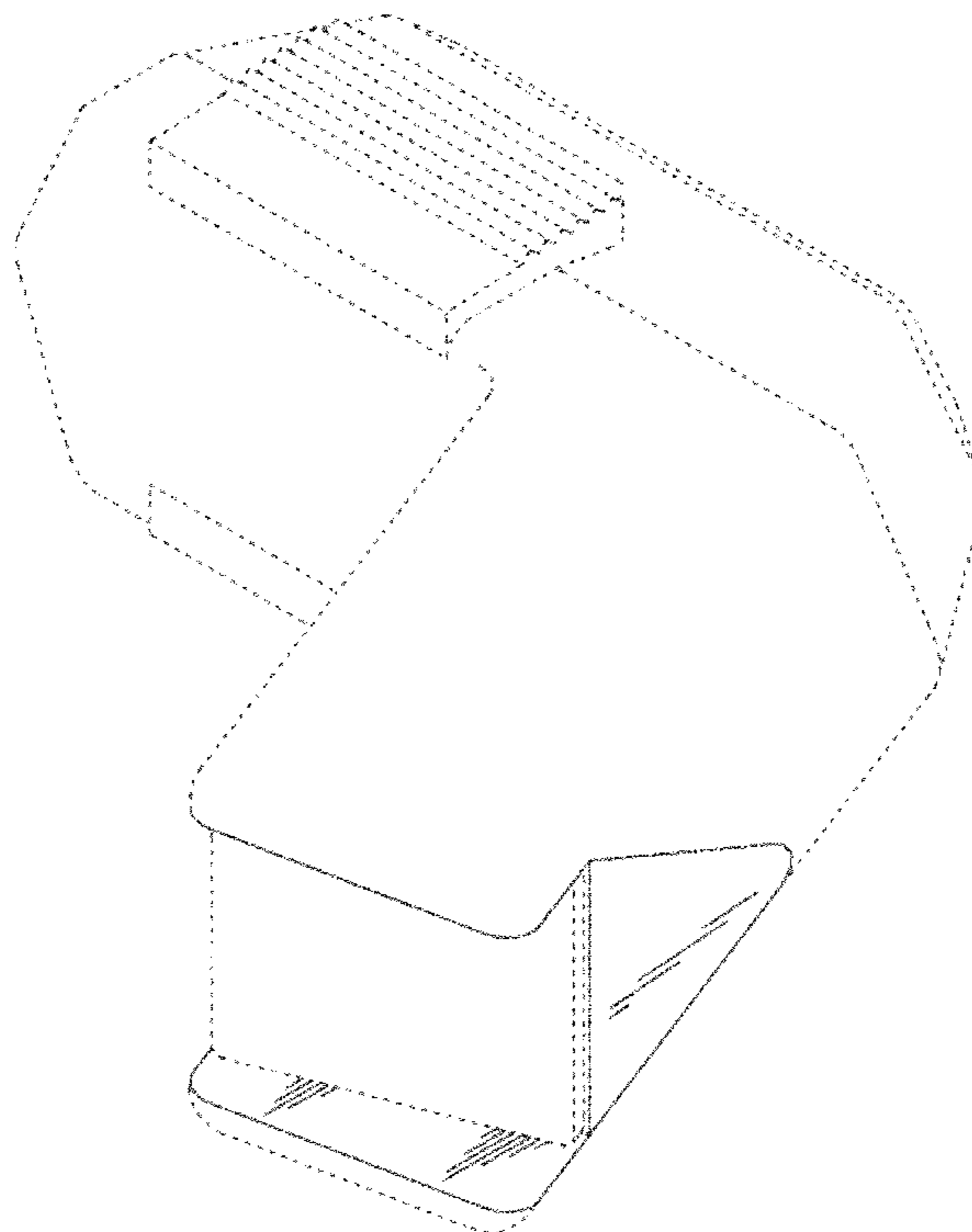
The ornamental design for an image display device, as shown and described.

DESCRIPTION

FIG. 1 is a perspective view of an image display device;
FIG. 2 is a front view thereof;
FIG. 3 is a top view thereof, with a bottom view being identical;
FIG. 4 is a right-side view thereof;
FIG. 5 is a left-side view thereof;
FIG. 6 is a rear view thereof; and,
FIG. 7 is a cross-sectional view thereof taken along lines 7-7 in FIG. 2.

The broken lines depict environmental subject matter only and form no part of the claimed design.

1 Claim, 6 Drawing Sheets



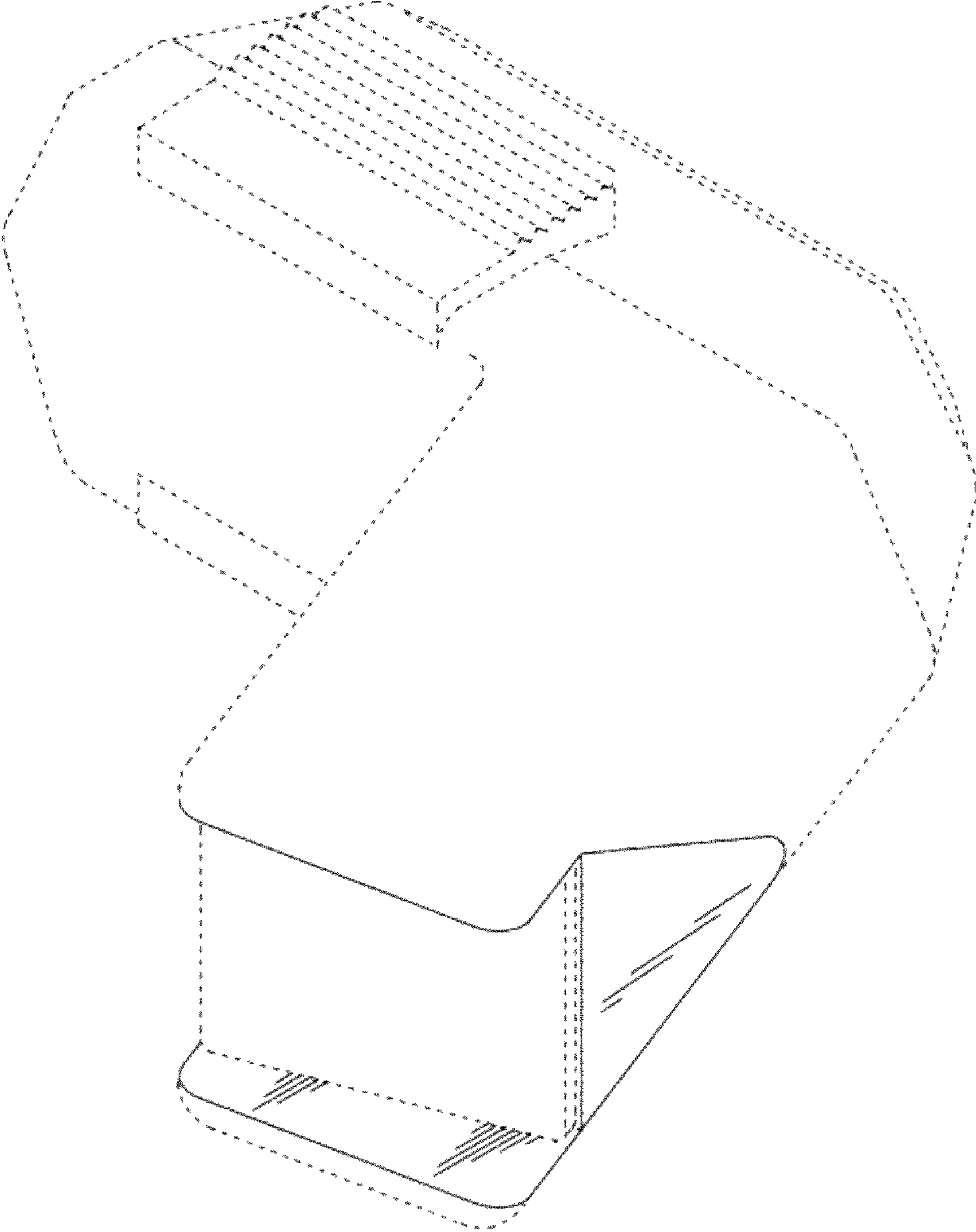


FIG. 1

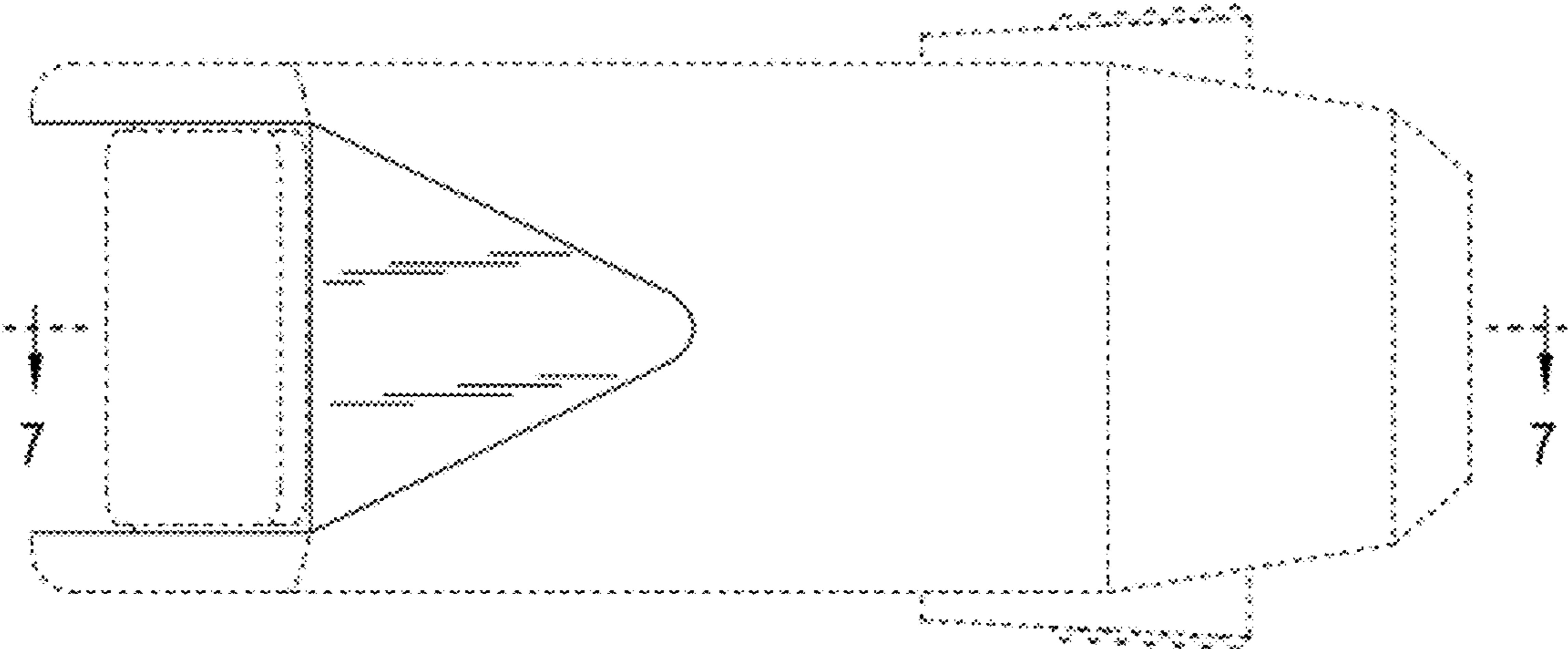


FIG. 2

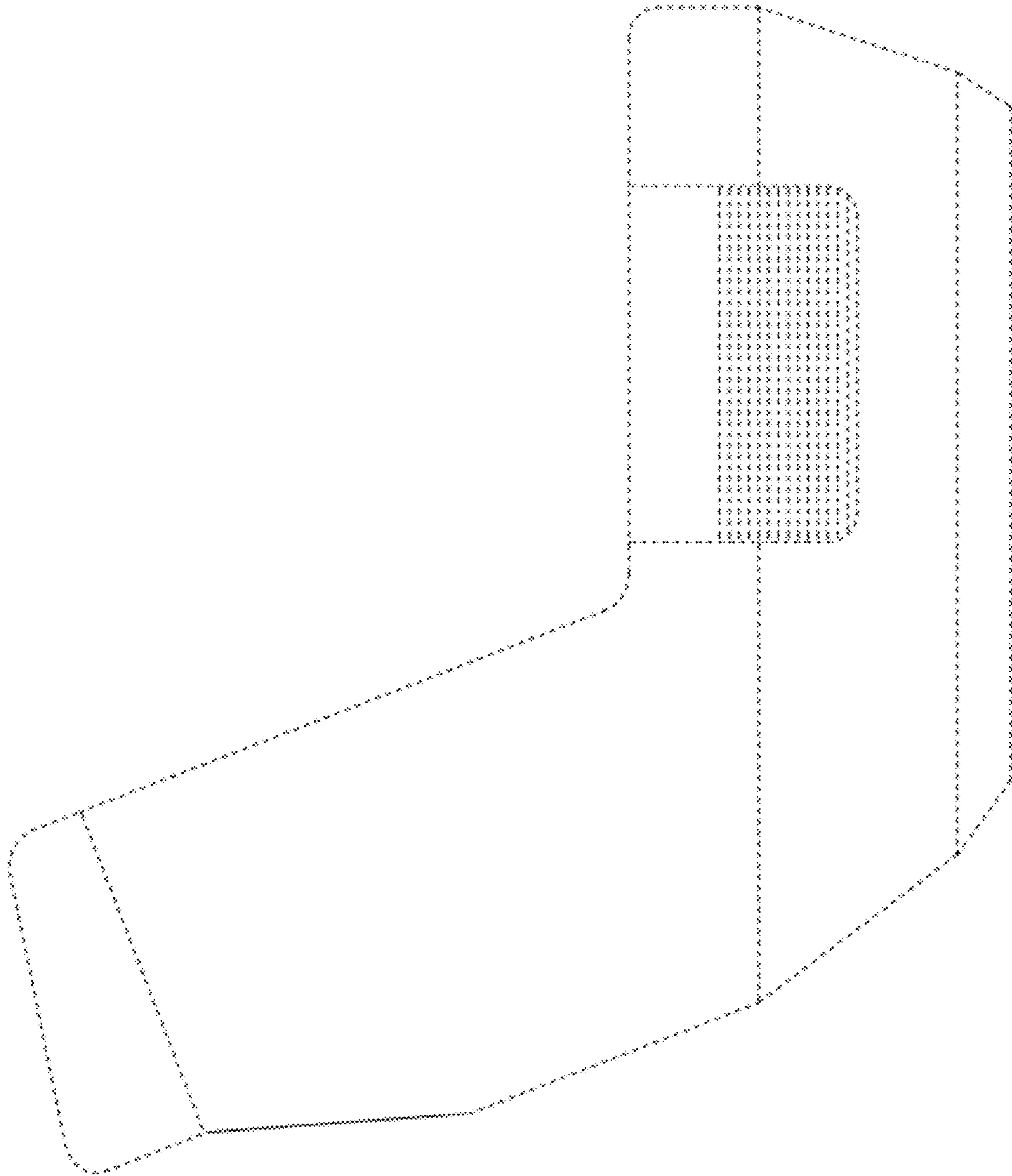


FIG. 3

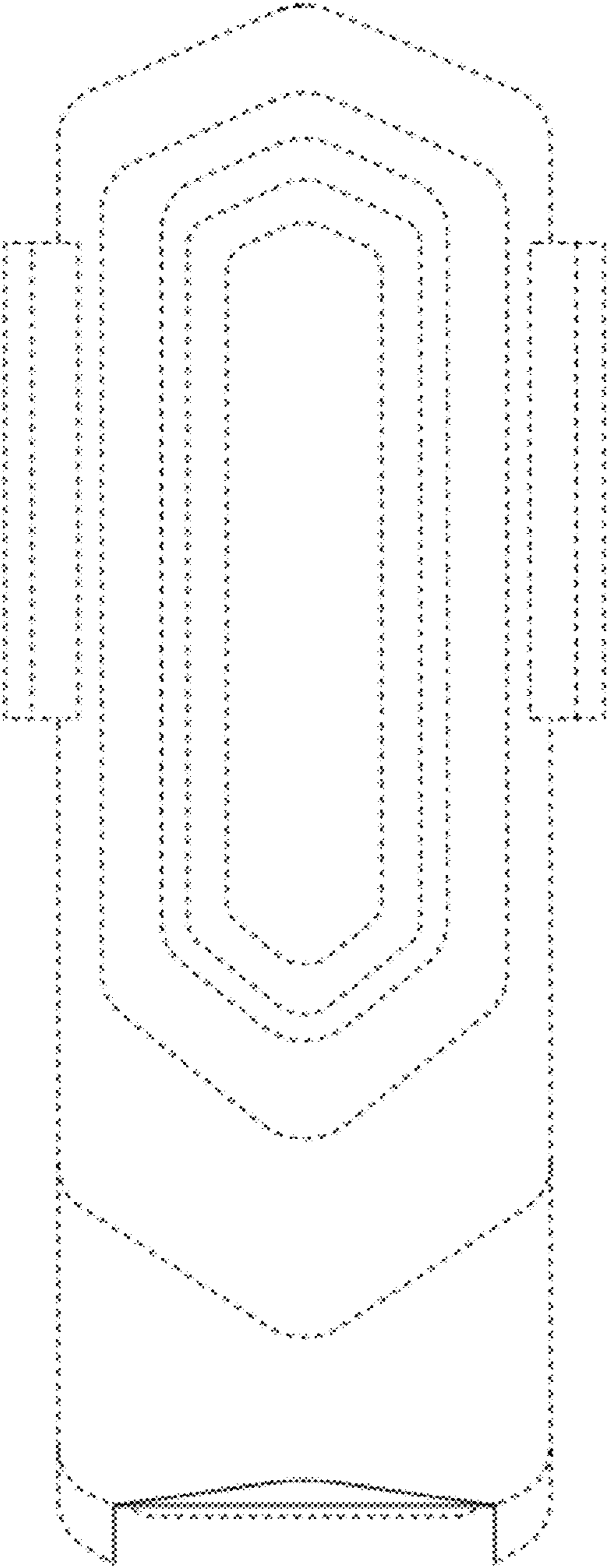


FIG. 4

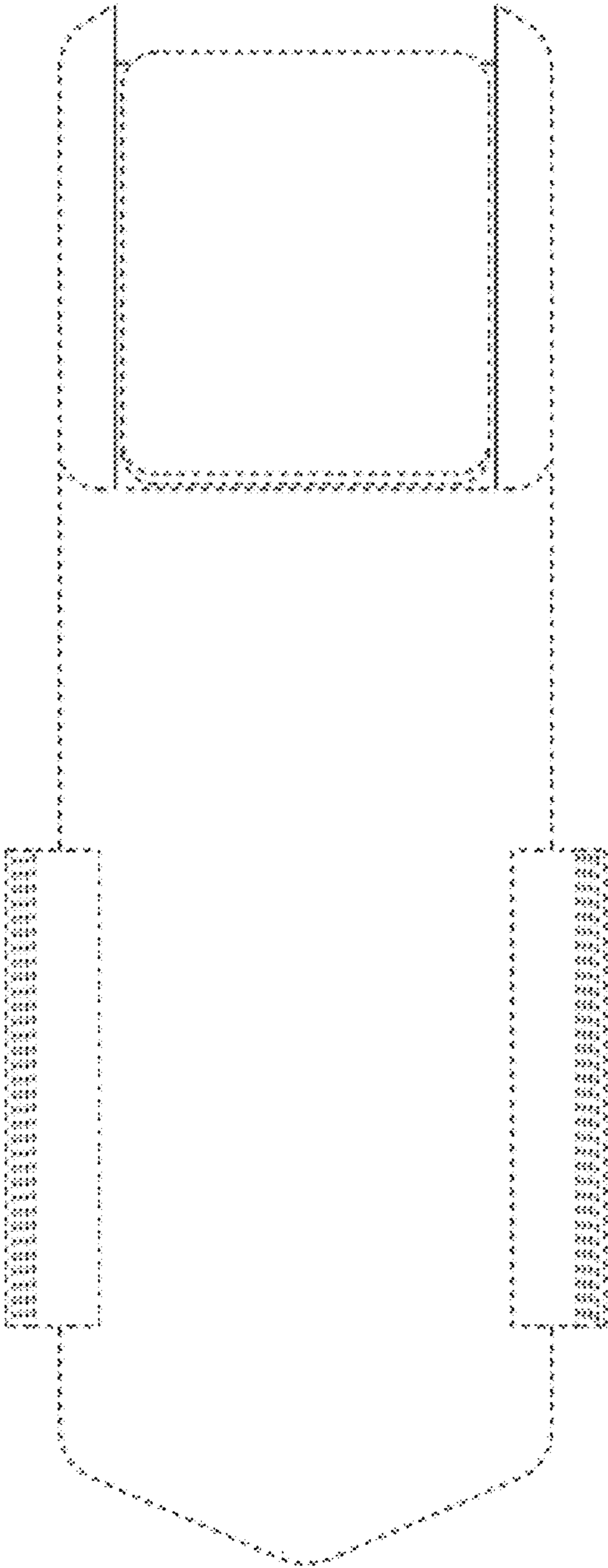


FIG. 5

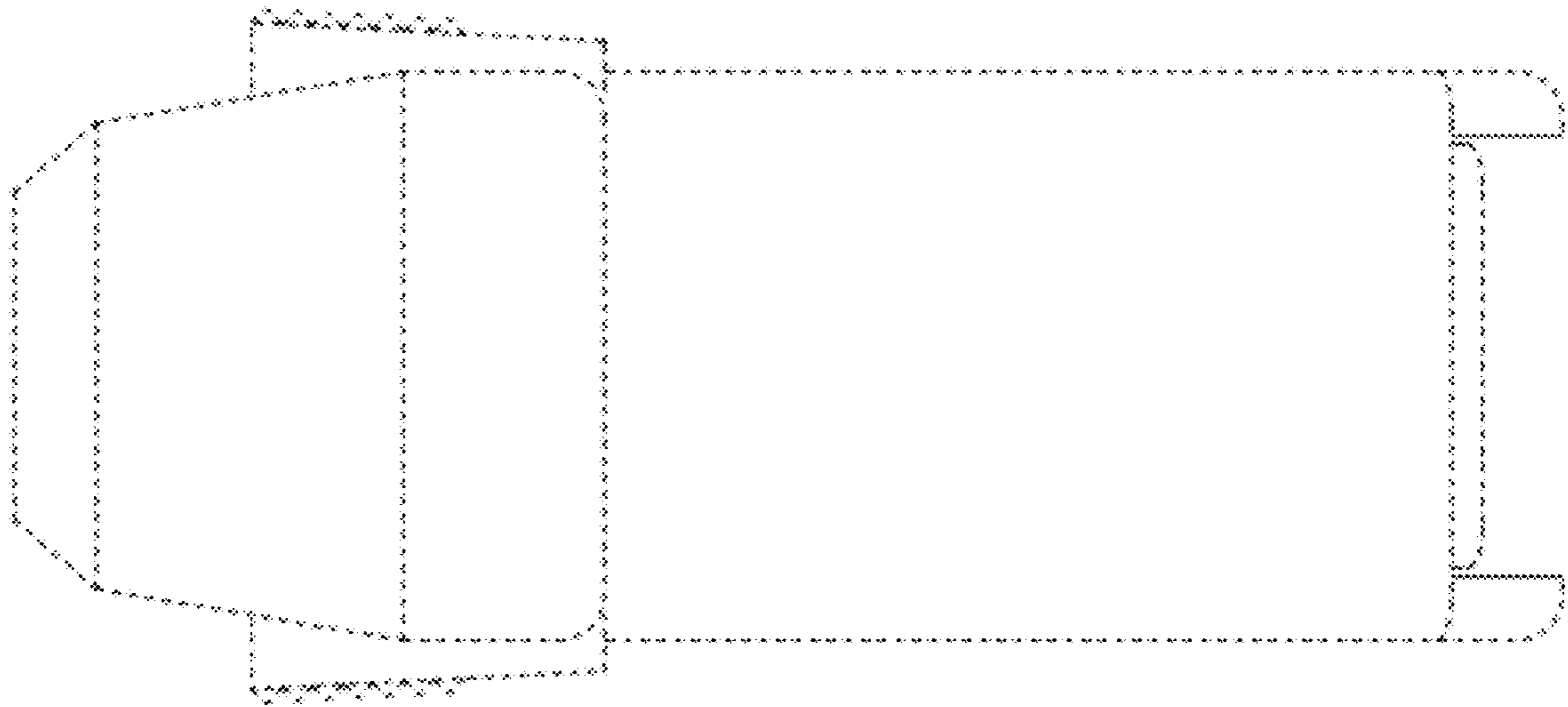


FIG. 6

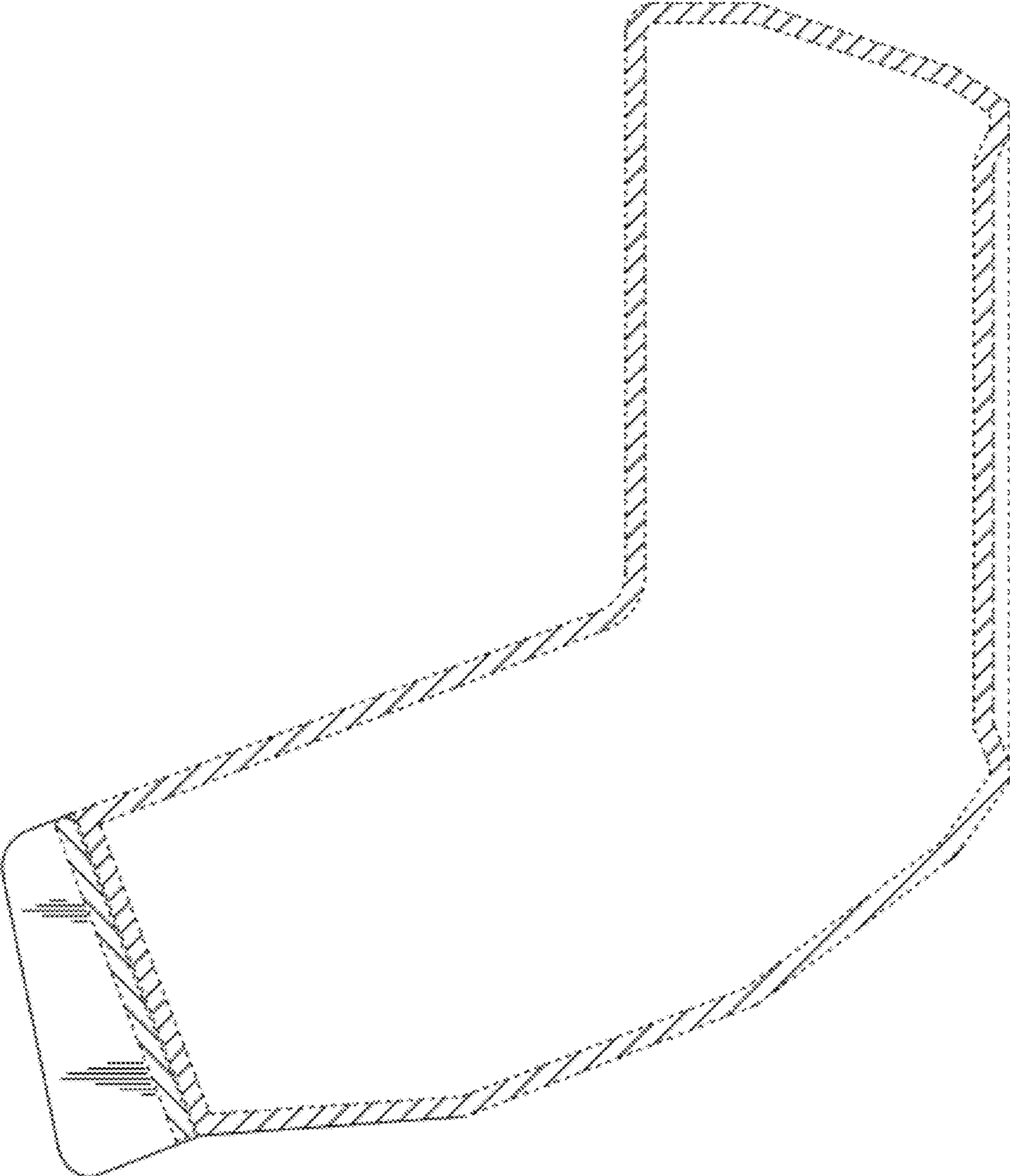


FIG. 7