



US00D659134S

(12) **United States Design Patent**  
**Ahn et al.**

(10) **Patent No.:** **US D659,134 S**  
(45) **Date of Patent:** **\*\* May 8, 2012**

(54) **COMPUTER TERMINAL**

*Primary Examiner* — Freda S Nunn

(75) Inventors: **Yoo Jung Ahn**, Chicago, IL (US); **Mark D. Janninck**, Glen Ellyn, IL (US); **Giles D. McWilliam**, Chicago, IL (US); **James E. Wicks**, Lake Bluff, IL (US)

(57) **CLAIM**  
The ornamental design for a computer terminal, as shown and described.

(73) Assignee: **Motorola Mobility, Inc.**, Libertyville, IL (US)

**DESCRIPTION**

(\*\*) Term: **14 Years**

FIG. 1 is a front perspective view of a computer terminal;  
FIG. 2 is a front view thereof;  
FIG. 3 is a rear view thereof;  
FIG. 4 is a first side view thereof;  
FIG. 5 is a second side view thereof;  
FIG. 6 is a top view thereof;  
FIG. 7 is a bottom view thereof;  
FIG. 8 is a front perspective view thereof with the dock shown opened;  
FIG. 9 is a front view thereof;  
FIG. 10 is a rear view thereof;  
FIG. 11 is a first side view thereof;  
FIG. 12 is a second side view thereof;  
FIG. 13 is a top view thereof;  
FIG. 14 is a bottom view thereof;  
FIG. 15 is a front perspective view thereof with the computer terminal shown opened;  
FIG. 16 is a front view thereof;  
FIG. 17 is a rear view thereof;  
FIG. 18 is a first side view thereof;  
FIG. 19 is a second side view thereof;  
FIG. 20 is a top view thereof; and,  
FIG. 21 is a bottom view thereof.

(21) Appl. No.: **29/382,202**

(22) Filed: **Dec. 30, 2010**

(51) **LOC (9) Cl.** ..... **14-02**

(52) **U.S. Cl.** ..... **D14/318**; D14/434

(58) **Field of Classification Search** ..... D14/315-327,  
D14/434; D18/1, 2, 7, 11; 235/145 A, 145 R;  
341/22, 23; 345/156, 157, 168, 169, 173;  
361/679.4, 679.09, 679.26, 679.27; 348/373;  
715/783; 710/1-5, 113, 303

See application file for complete search history.

(56) **References Cited**

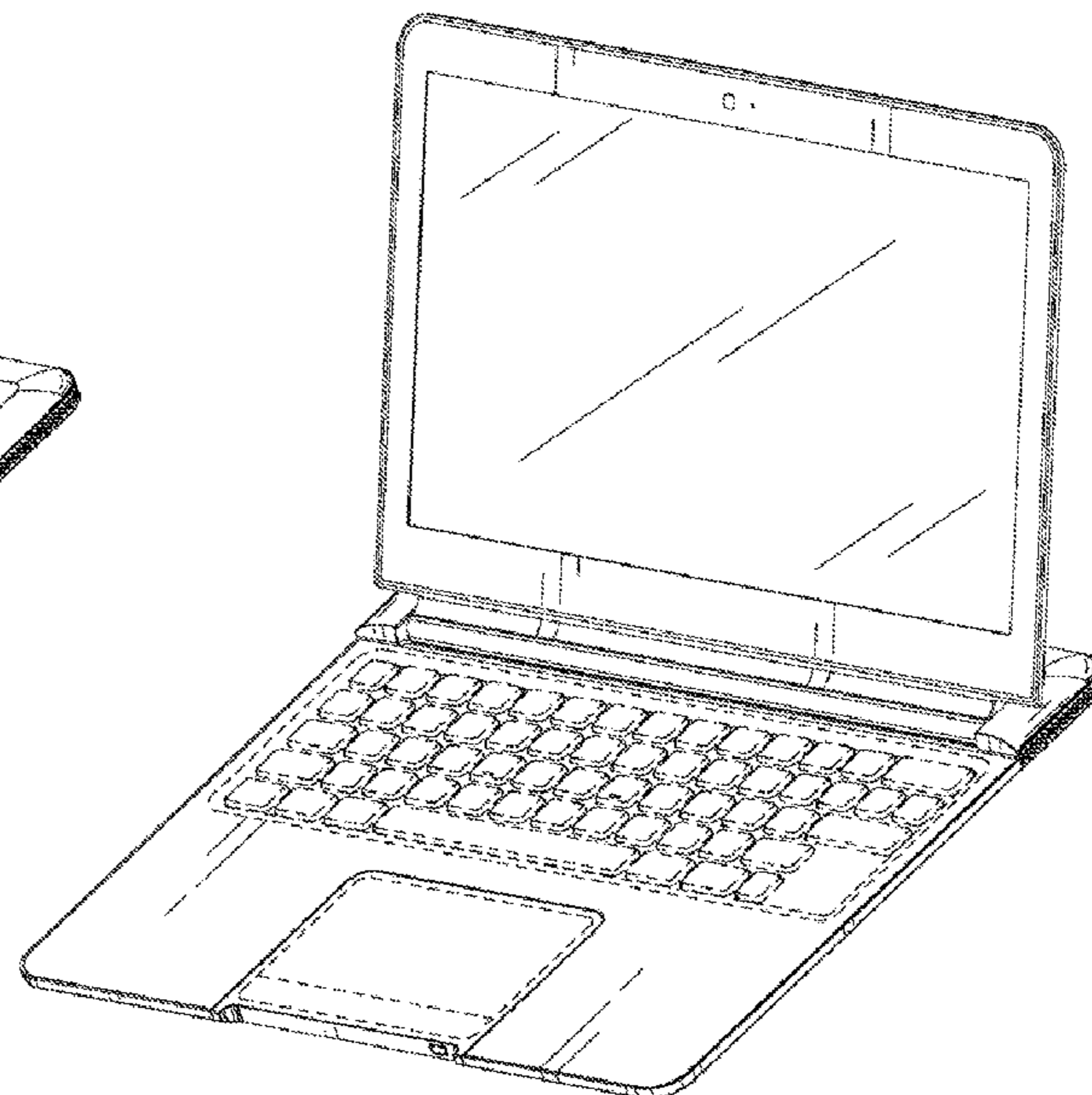
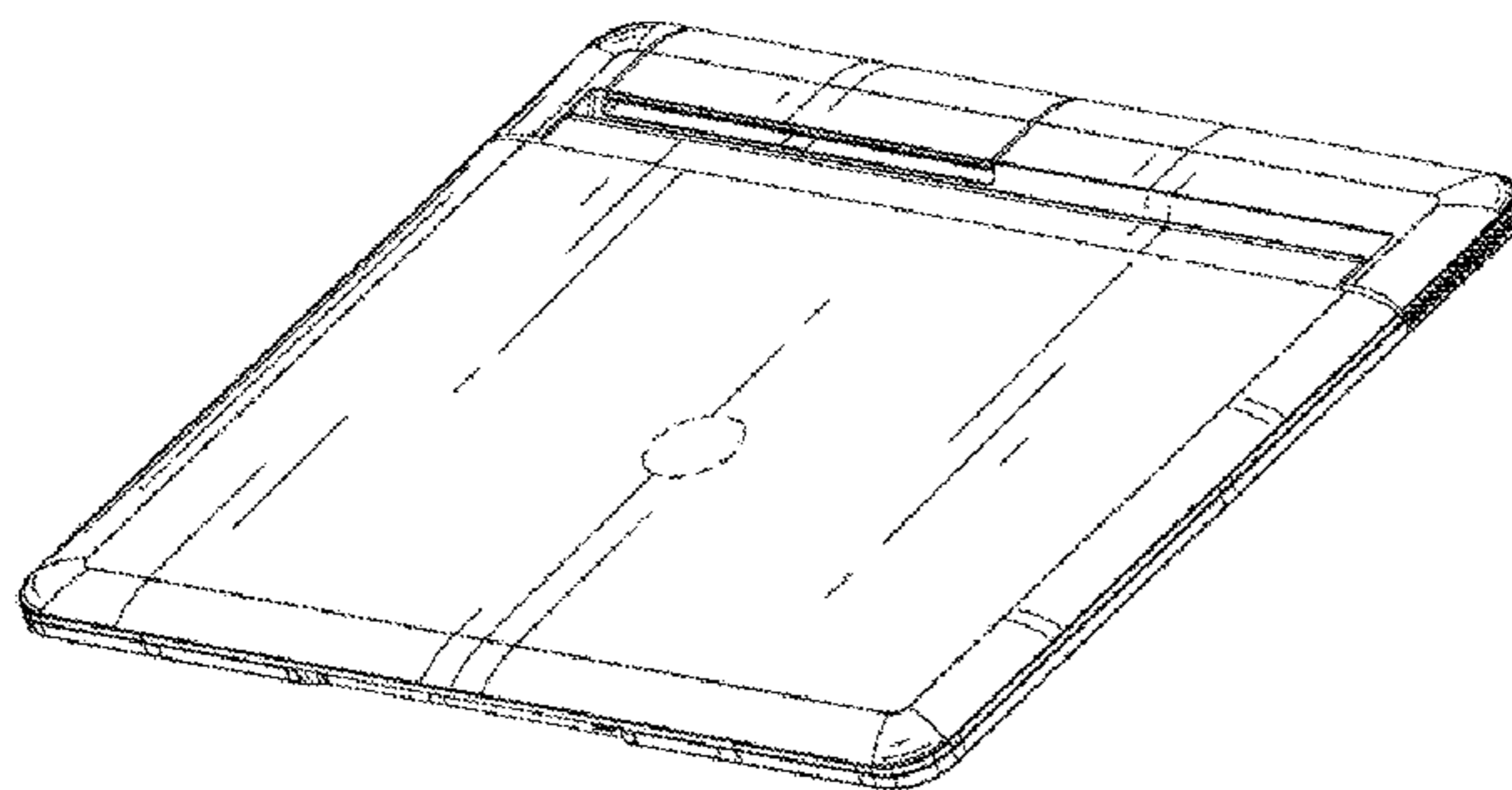
U.S. PATENT DOCUMENTS

|              |      |         |                 |            |
|--------------|------|---------|-----------------|------------|
| 5,841,994    | A *  | 11/1998 | Boesch et al.   | 710/113    |
| 6,366,450    | B1 * | 4/2002  | Janicek         | 361/679.41 |
| D479,840     | S *  | 9/2003  | Lu              | D14/318    |
| D485,263     | S *  | 1/2004  | Kamegi          | D14/320    |
| 6,683,786    | B2 * | 1/2004  | Yin et al.      | 361/679.4  |
| D491,177     | S *  | 6/2004  | Andre et al.    | D14/318    |
| 7,068,496    | B2 * | 6/2006  | Wong et al.     | 361/679.28 |
| 7,200,702    | B2 * | 4/2007  | Keely et al.    | 710/303    |
| D579,451     | S *  | 10/2008 | Ward et al.     | D14/434    |
| D624,911     | S *  | 10/2010 | Lee et al.      | D14/315    |
| 2005/0018396 | A1 * | 1/2005  | Nakajima et al. | 361/683    |
| 2005/0041378 | A1 * | 2/2005  | Hamada et al.   | 361/680    |
| 2008/0304688 | A1 * | 12/2008 | Kumar           | 381/370    |

\* cited by examiner

The broken lines shown in FIGS. 1-3, 8-10, 15-17, and 20 immediately adjacent to the shaded areas, and defining unshaded regions, represent the bounds of the claimed design, while all other broken lines are directed to environment only and form no part of the claimed design.

**1 Claim, 15 Drawing Sheets**



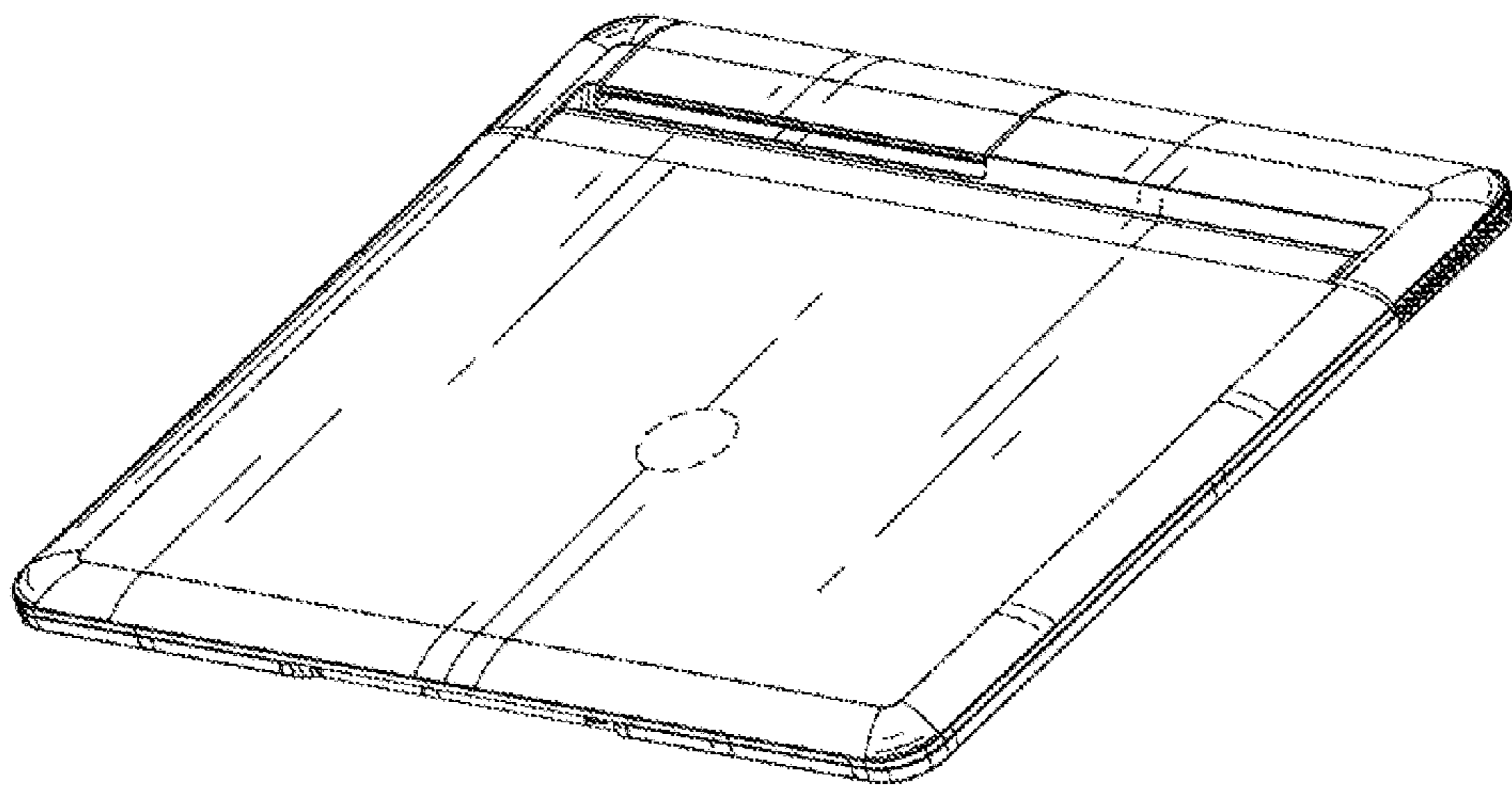


FIG. 1

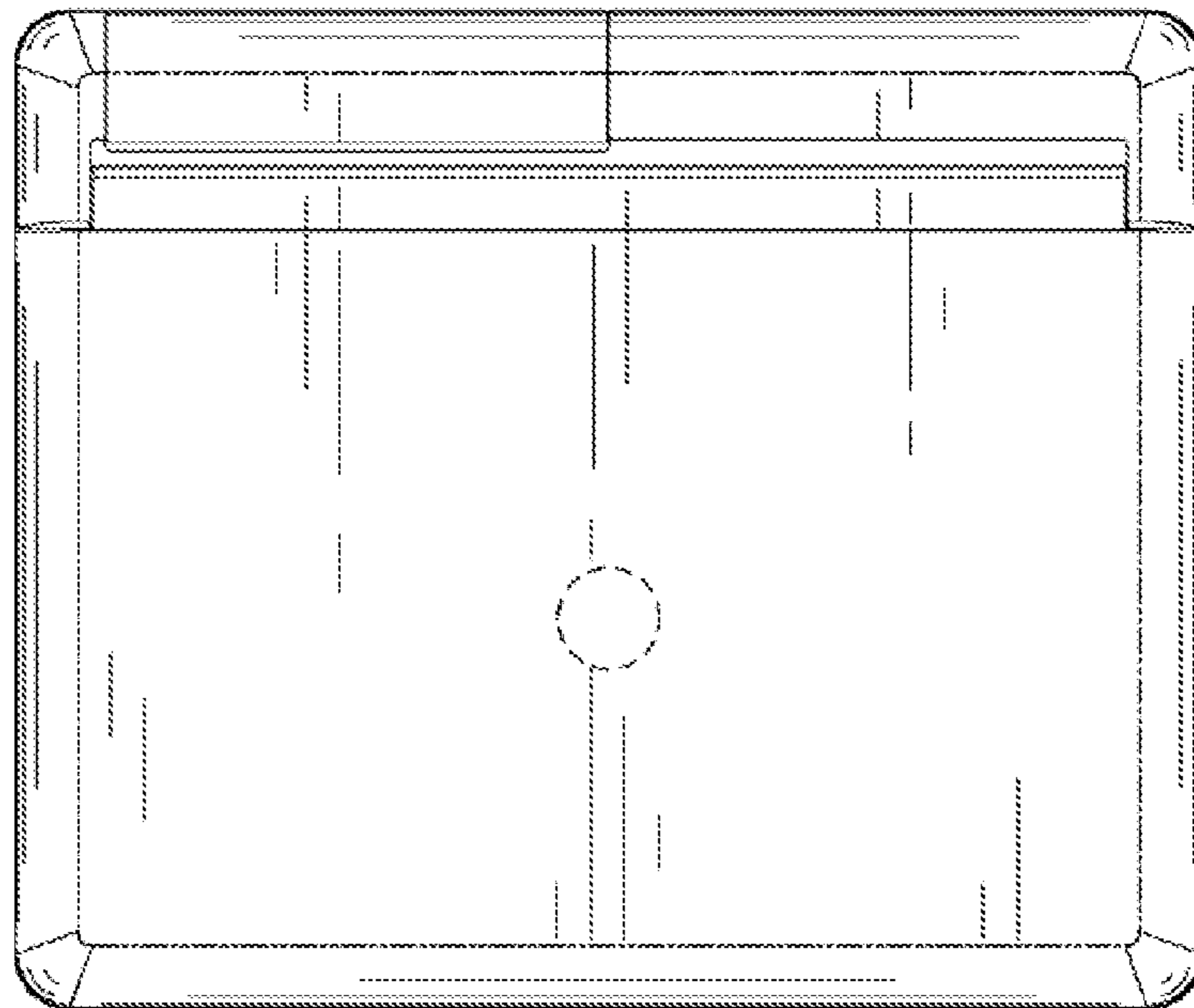


FIG. 2

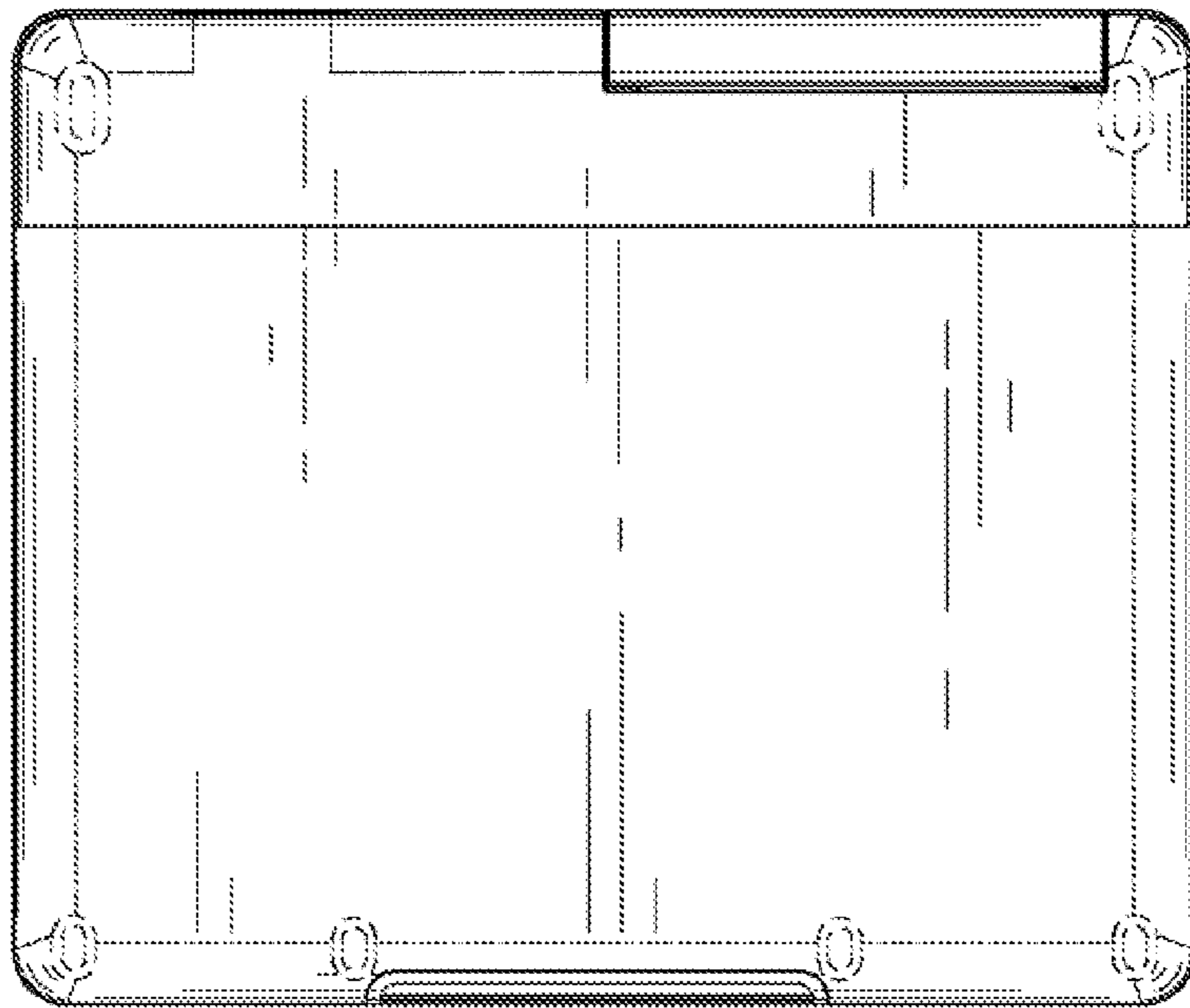


FIG. 3

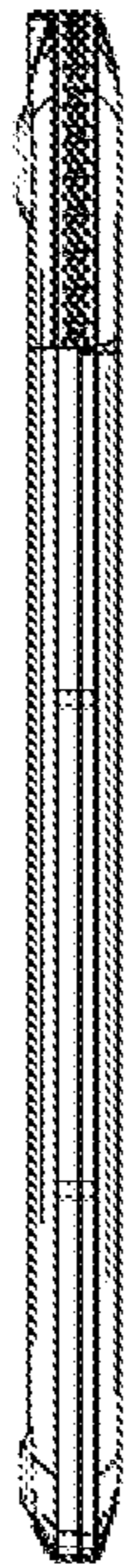


FIG. 4



FIG. 5



FIG. 6



FIG. 7

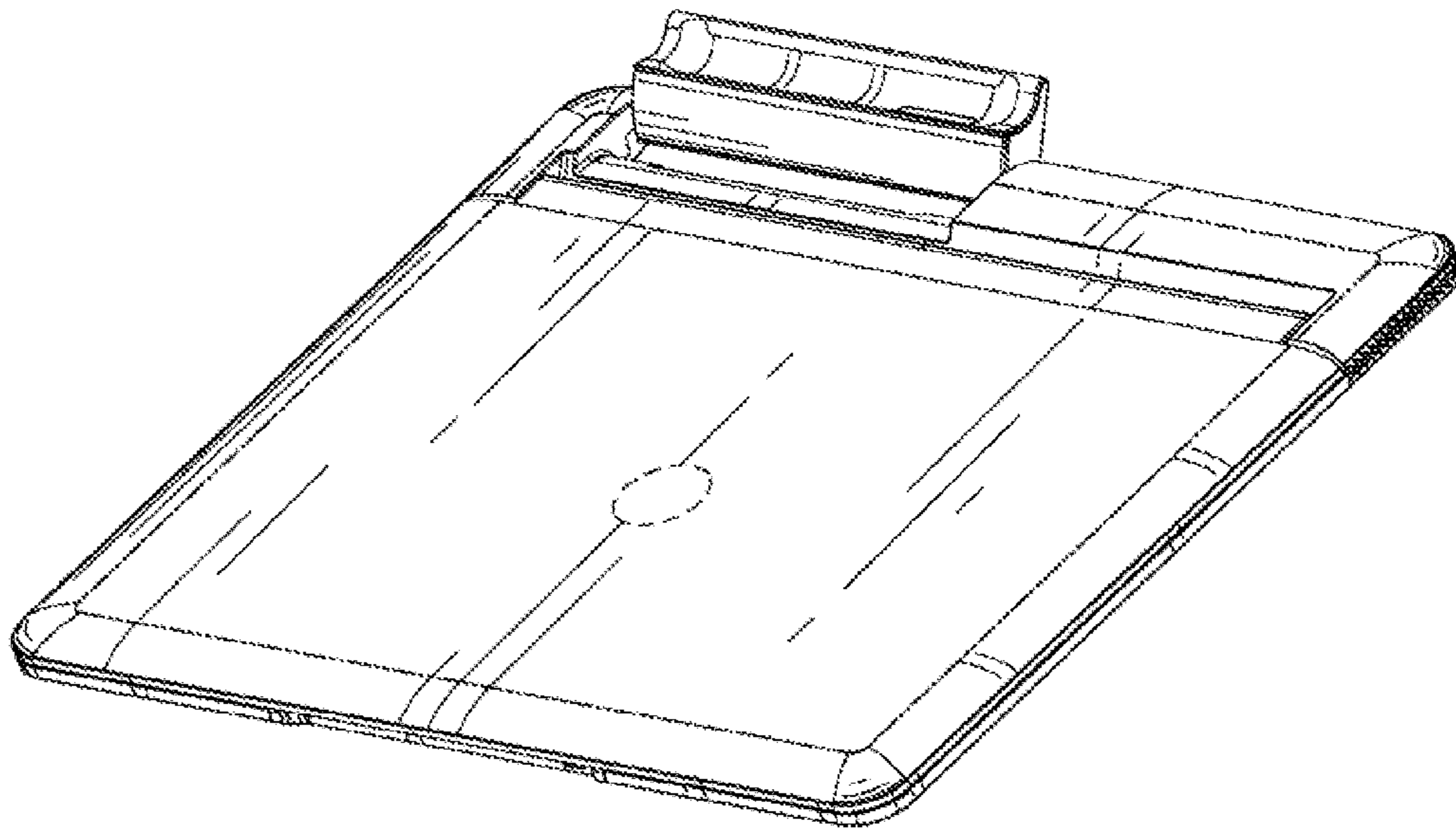


FIG. 8

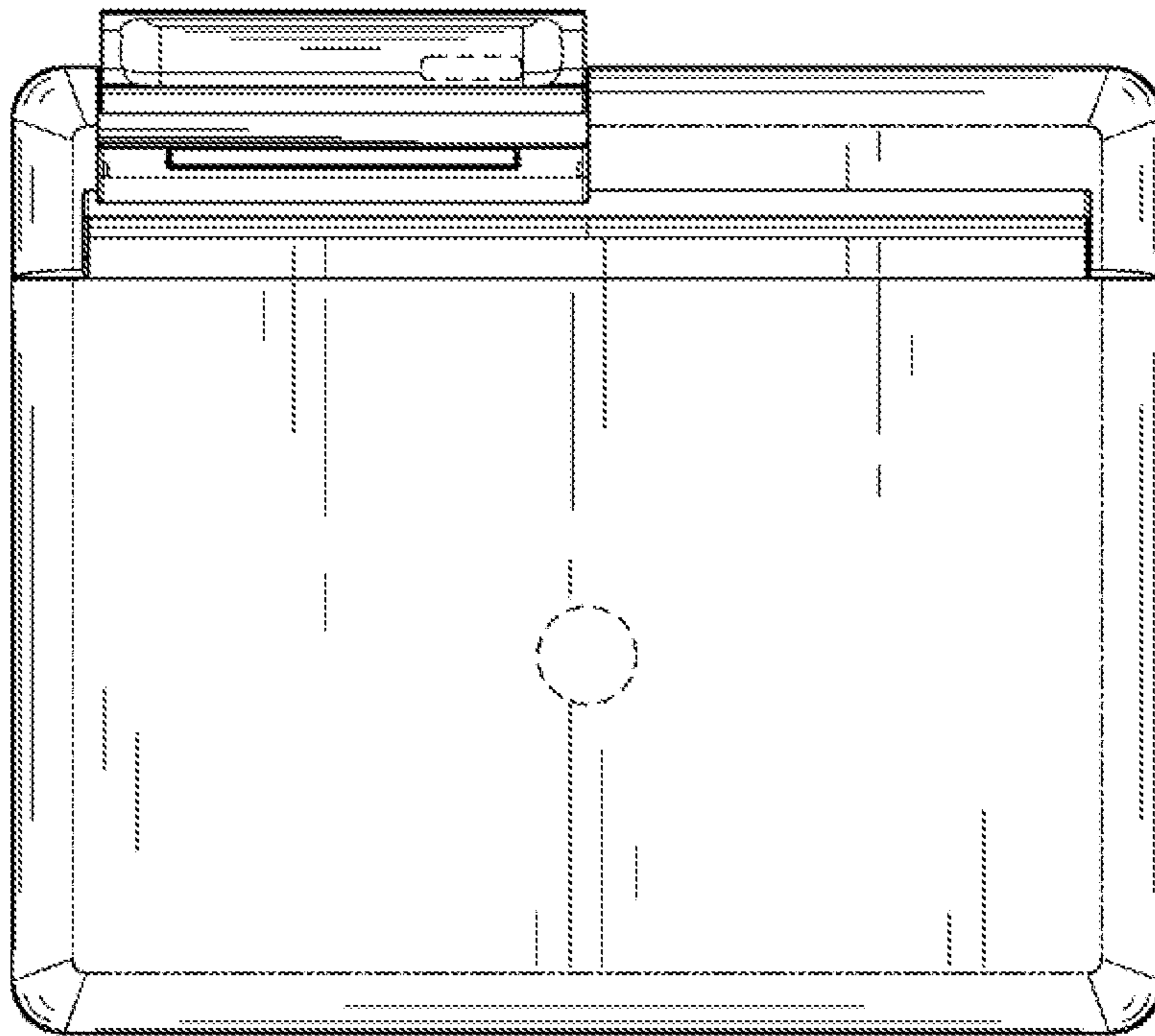


FIG. 9



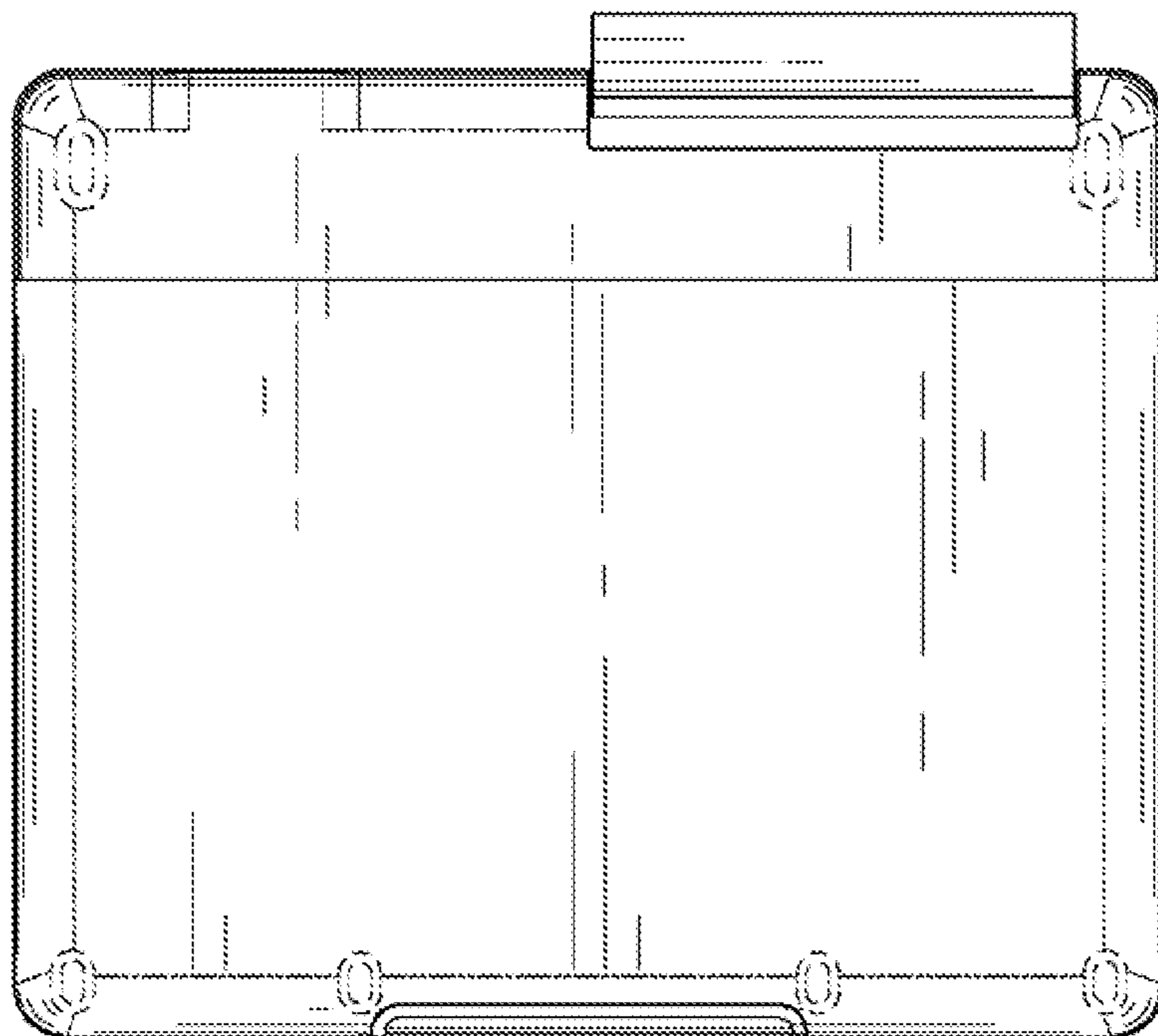


FIG. 10

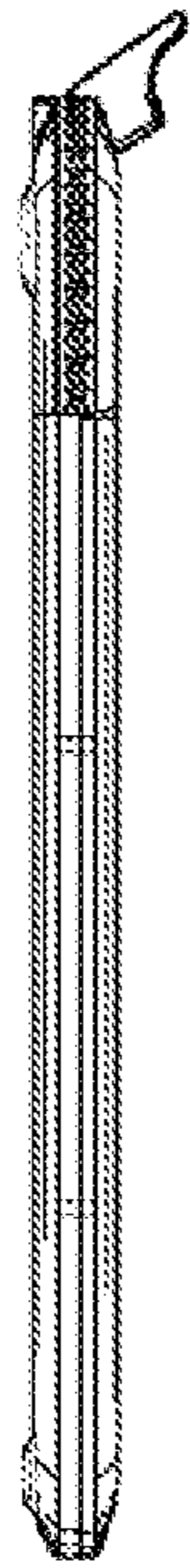


FIG. 11

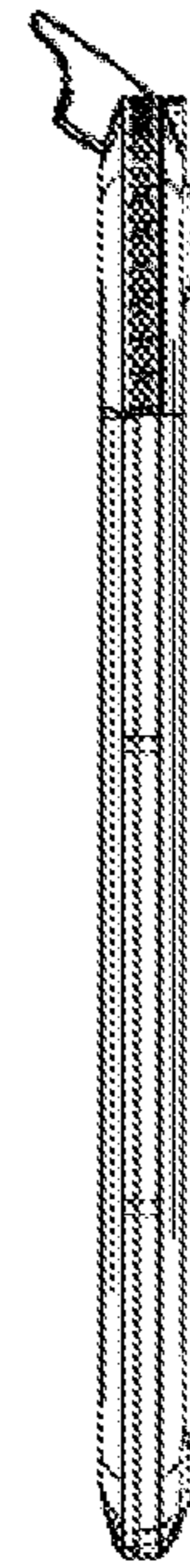


FIG. 12

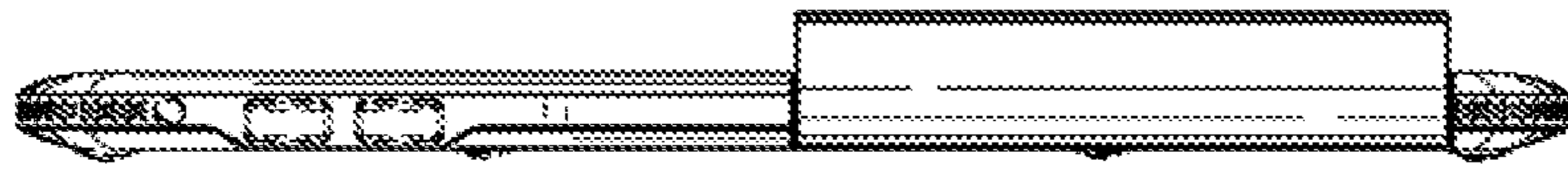


FIG. 13

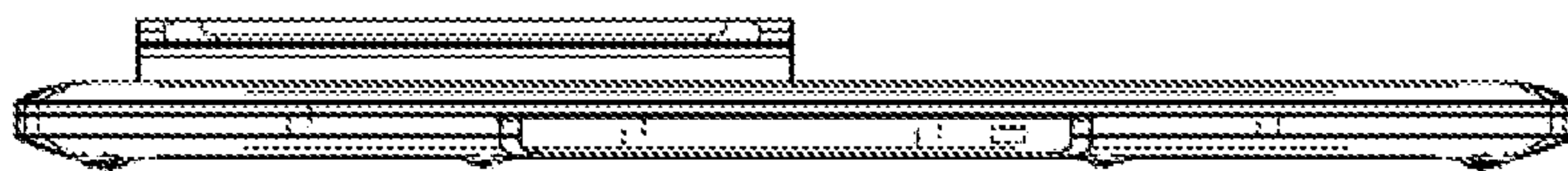


FIG. 14

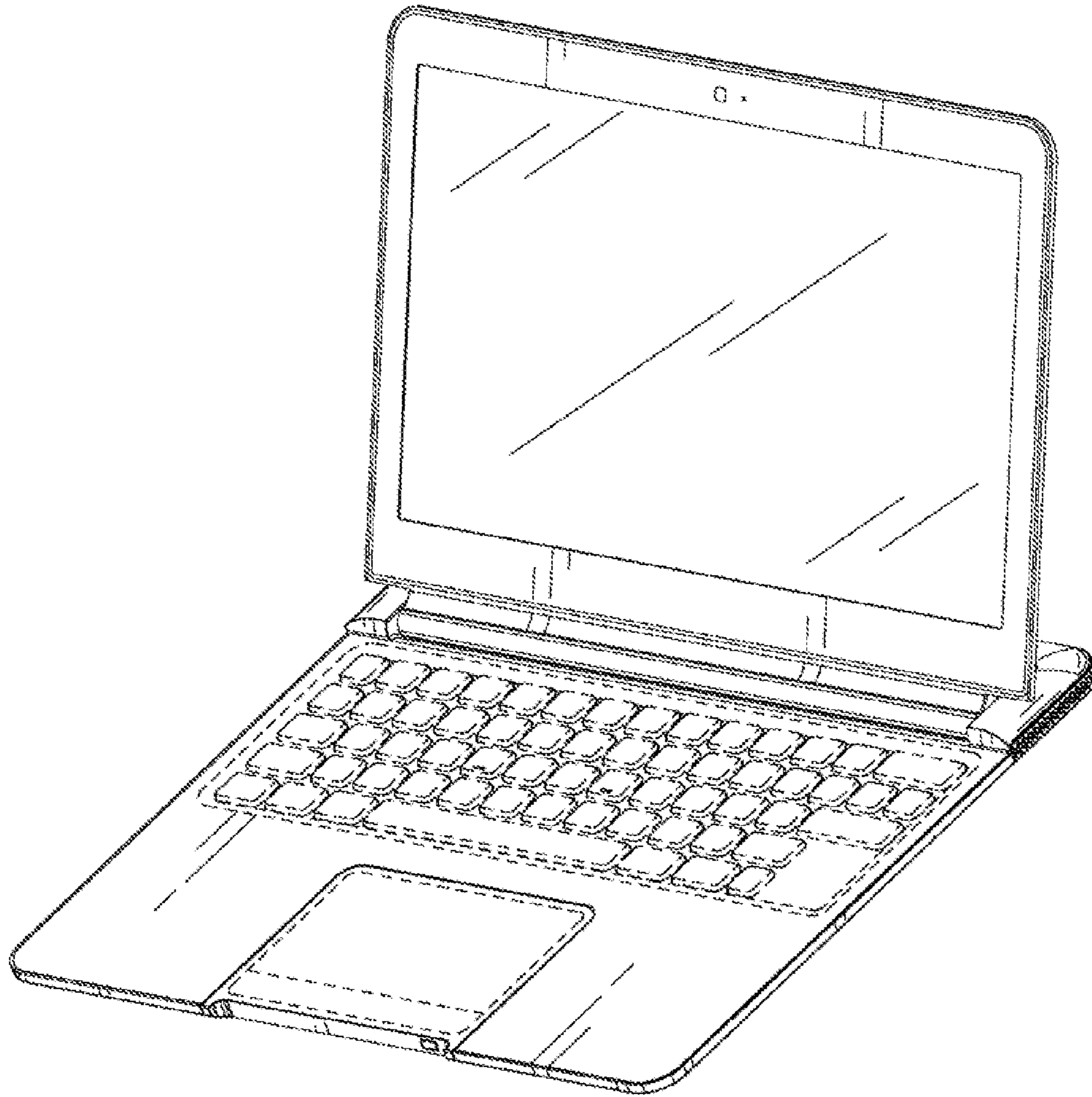


FIG. 15

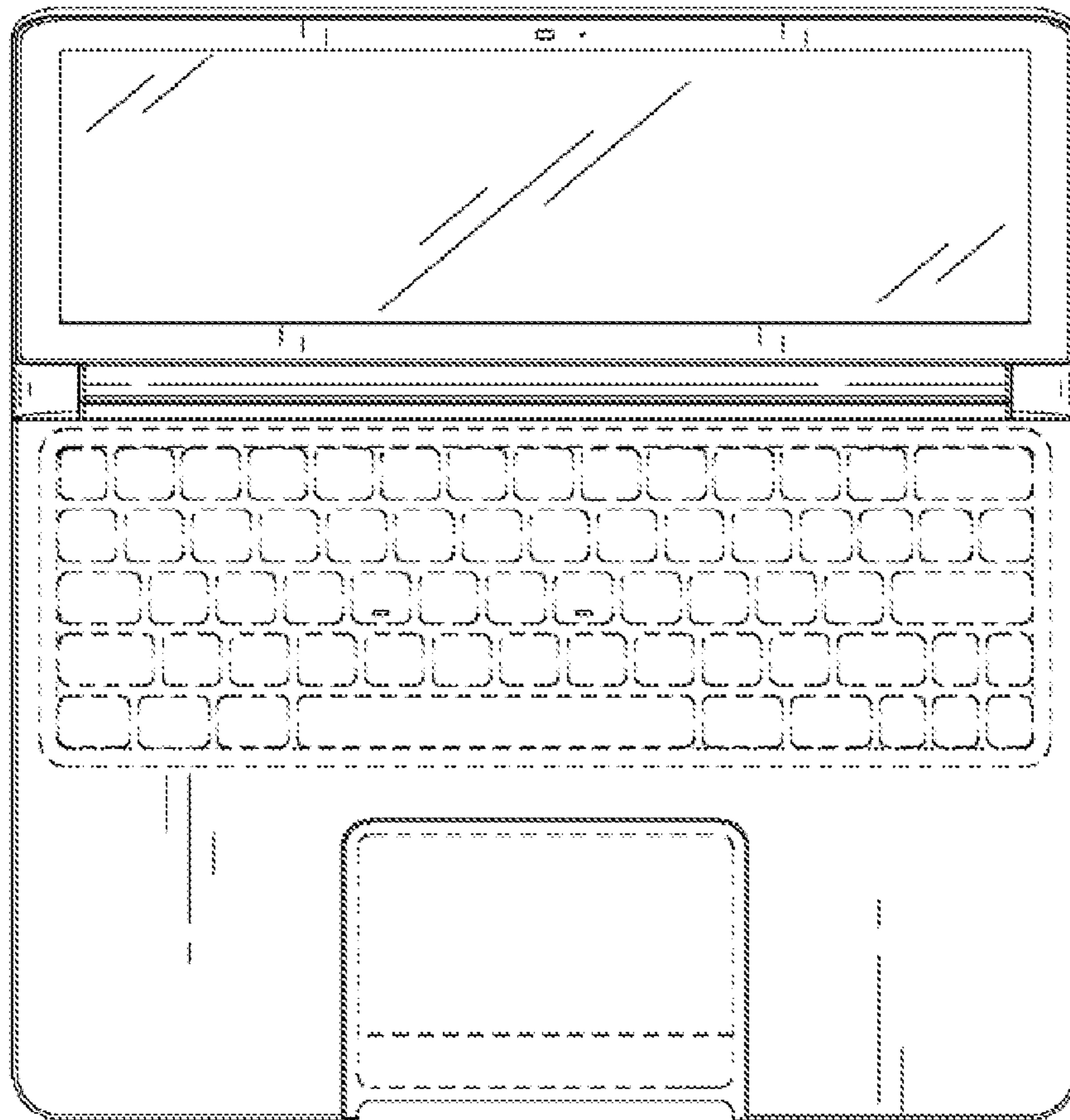


FIG. 16

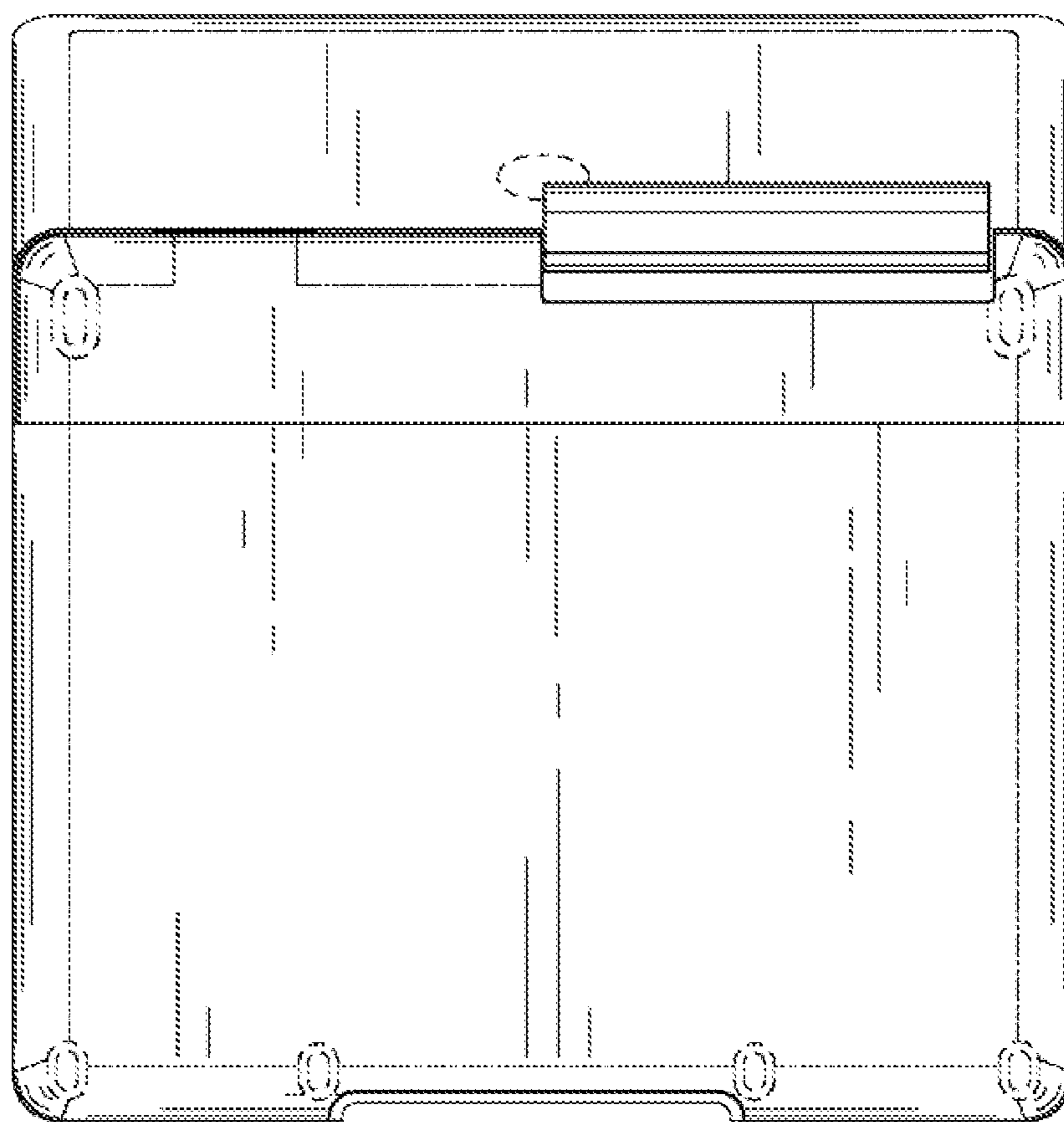


FIG. 17

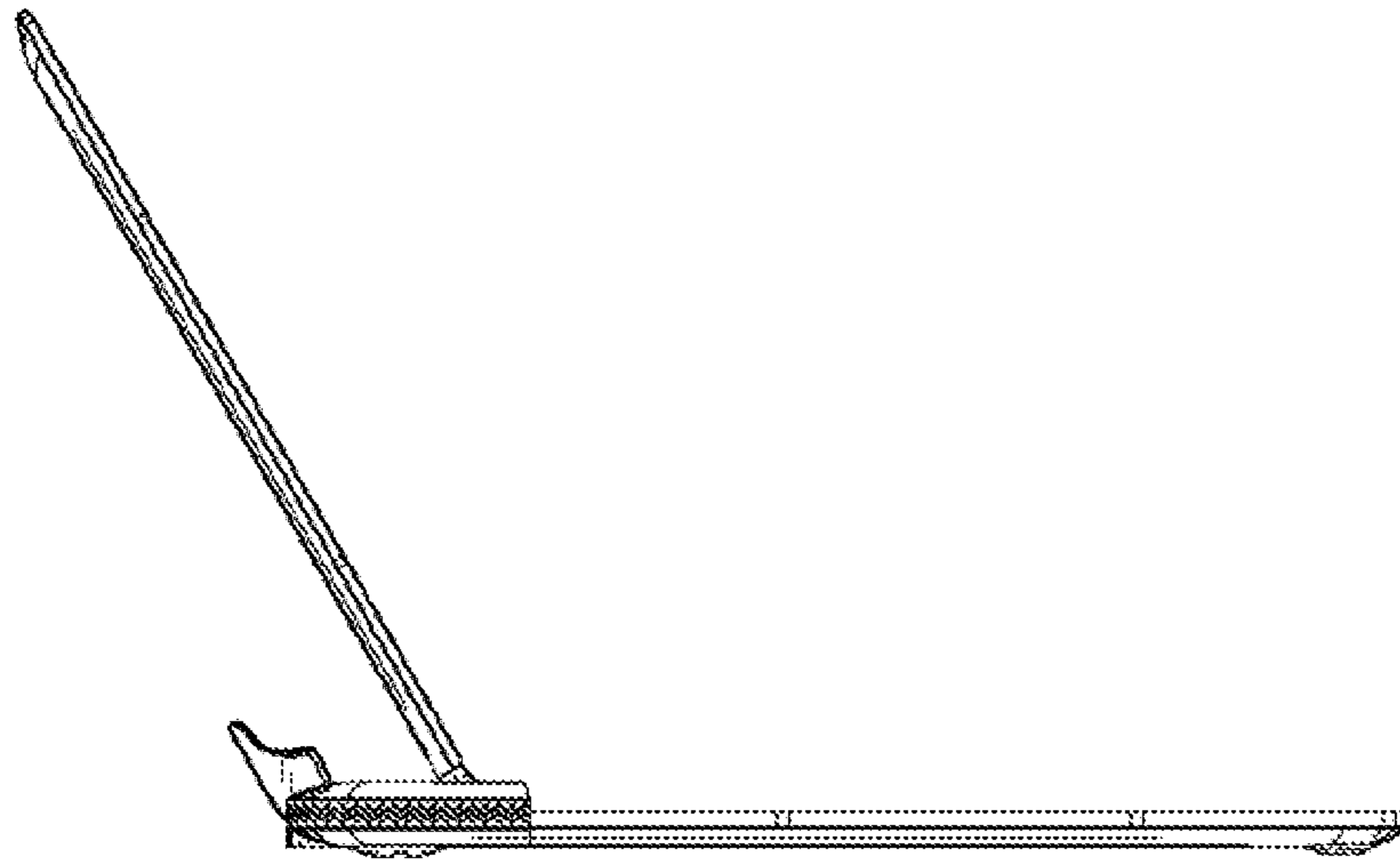


FIG. 18

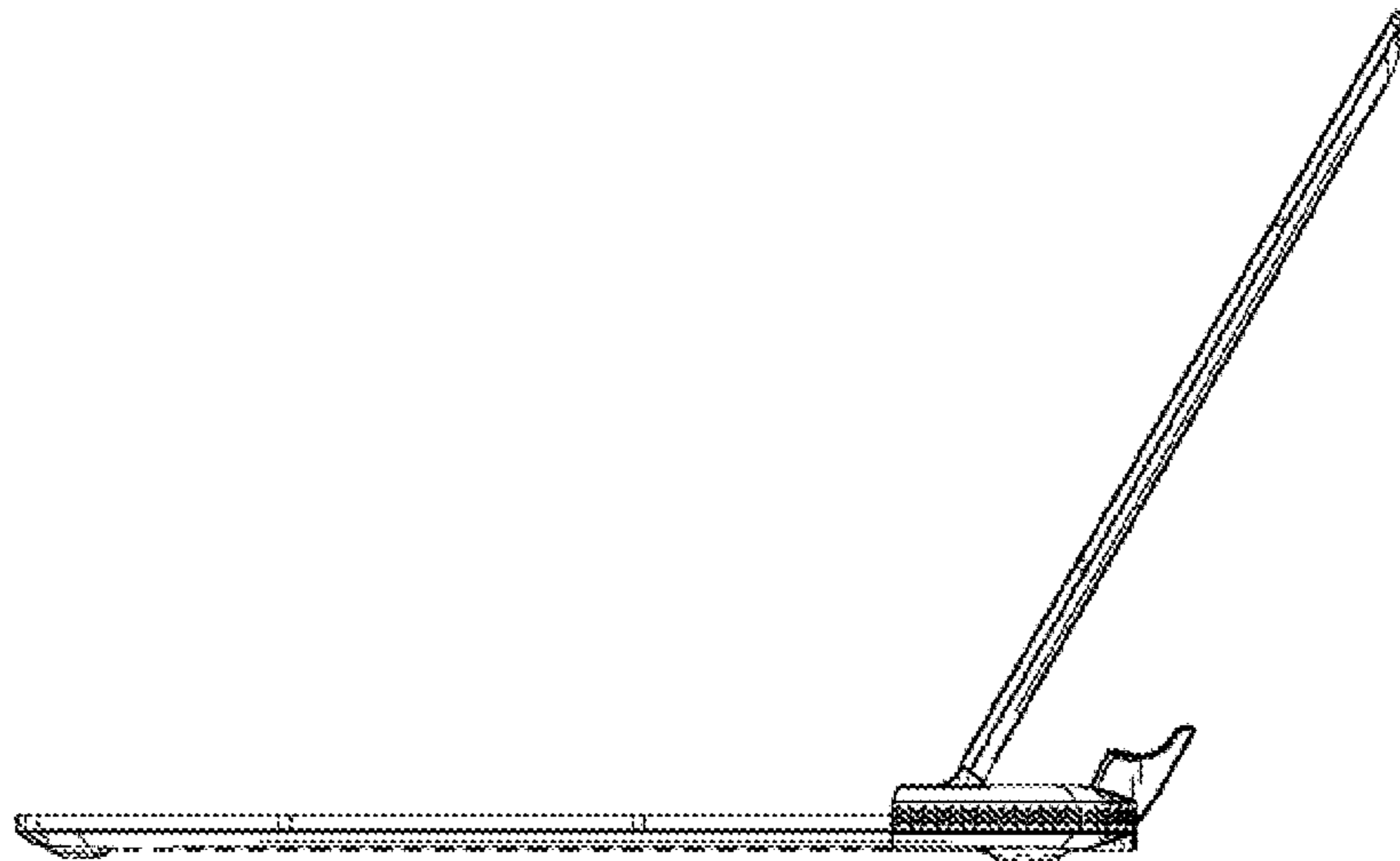


FIG. 19

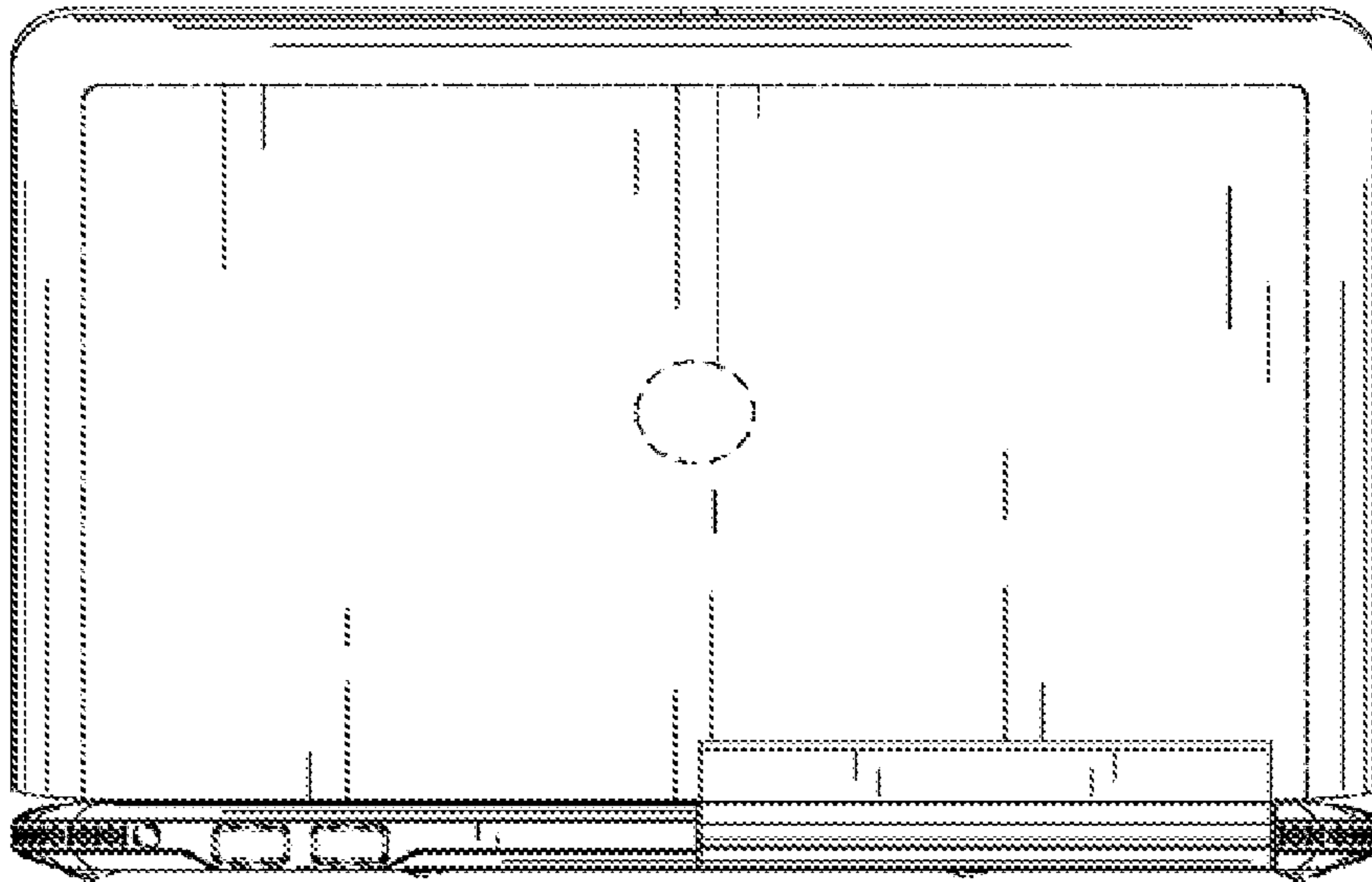


FIG. 20

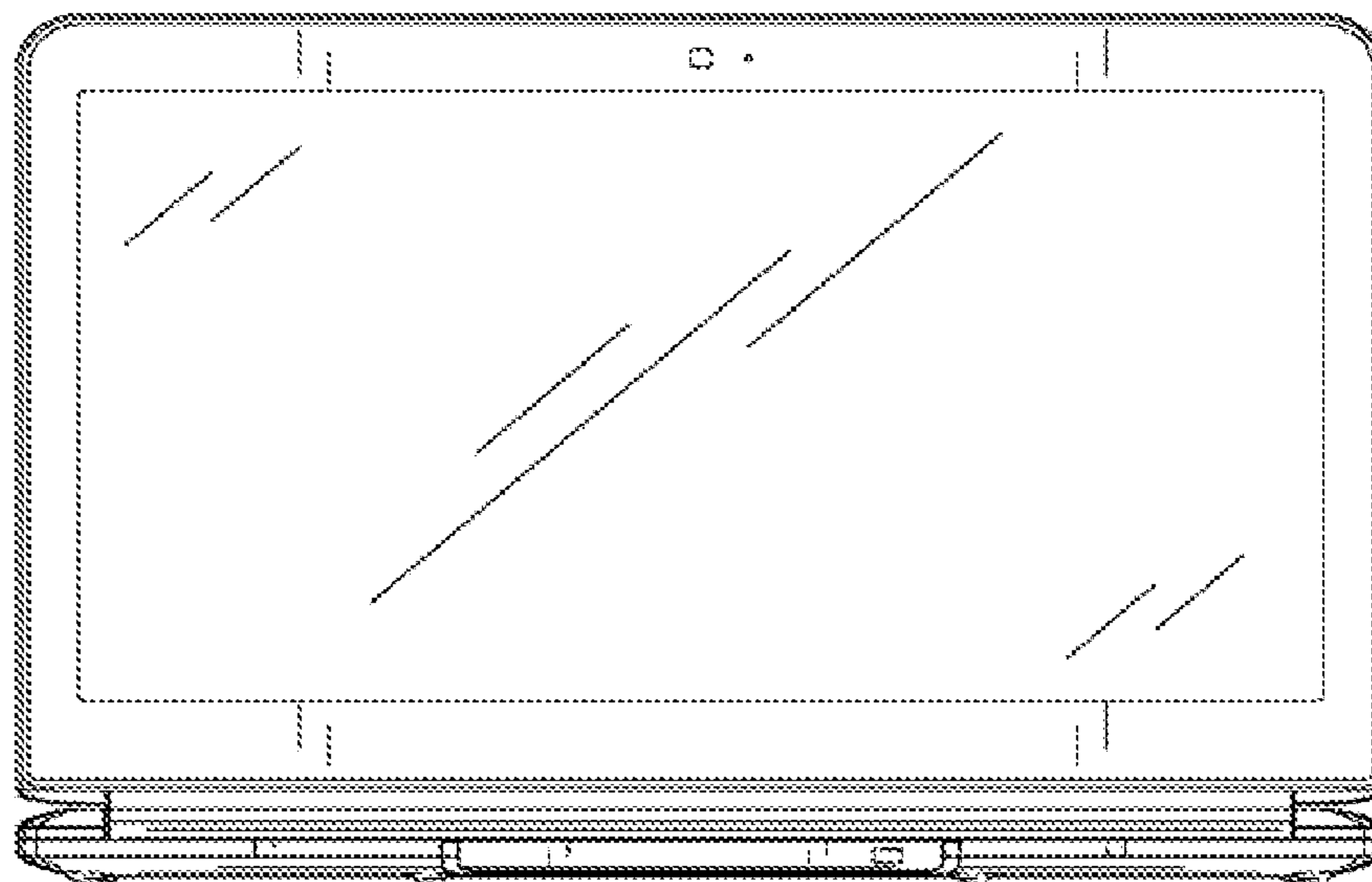


FIG. 21