

US00D659133S

(12) **United States Design Patent**
Crisp et al.

(10) **Patent No.:** **US D659,133 S**

(45) **Date of Patent:** **** May 8, 2012**

(54) **STORAGE BLADE SERVER**

(75) Inventors: **Richard Crisp**, Austin, TX (US); **Paul D. Kramer**, Austin, TX (US)

(73) Assignee: **Dell Products L.P.**, Round Rock, TX (US)

(**) Term: **14 Years**

(21) Appl. No.: **29/388,869**

(22) Filed: **Apr. 4, 2011**

(51) **LOC (9) Cl.** **14-02**

(52) **U.S. Cl.** **D14/301**

(58) **Field of Classification Search** D14/300,
D14/301, 308, 311-313, 349-356, 364, 441-446,
D14/435, 439; D13/162, 184, 199;
312/223.1-223.3, 351.11; 360/99.01-99.12;
369/34.01-36.01; 361/679.31-679.37, 679.53,
361/726, 727

See application file for complete search history.

(56) **References Cited**

U.S. PATENT DOCUMENTS

D436,952 S *	1/2001	Goto	D14/349
D455,148 S *	4/2002	Lee et al.	D14/349
D494,975 S	8/2004	McClelland, II et al.		
D504,435 S *	4/2005	Hsu	D14/441

D528,540 S *	9/2006	Sugihara et al.	D14/301
D547,314 S *	7/2007	Wu	D14/441
D555,157 S	11/2007	Tosh et al.		
D565,573 S	4/2008	Alo et al.		

* cited by examiner

Primary Examiner — Freda S Nunn

(74) *Attorney, Agent, or Firm* — Hamilton & Terrile, LLP;
Robert W. Holland

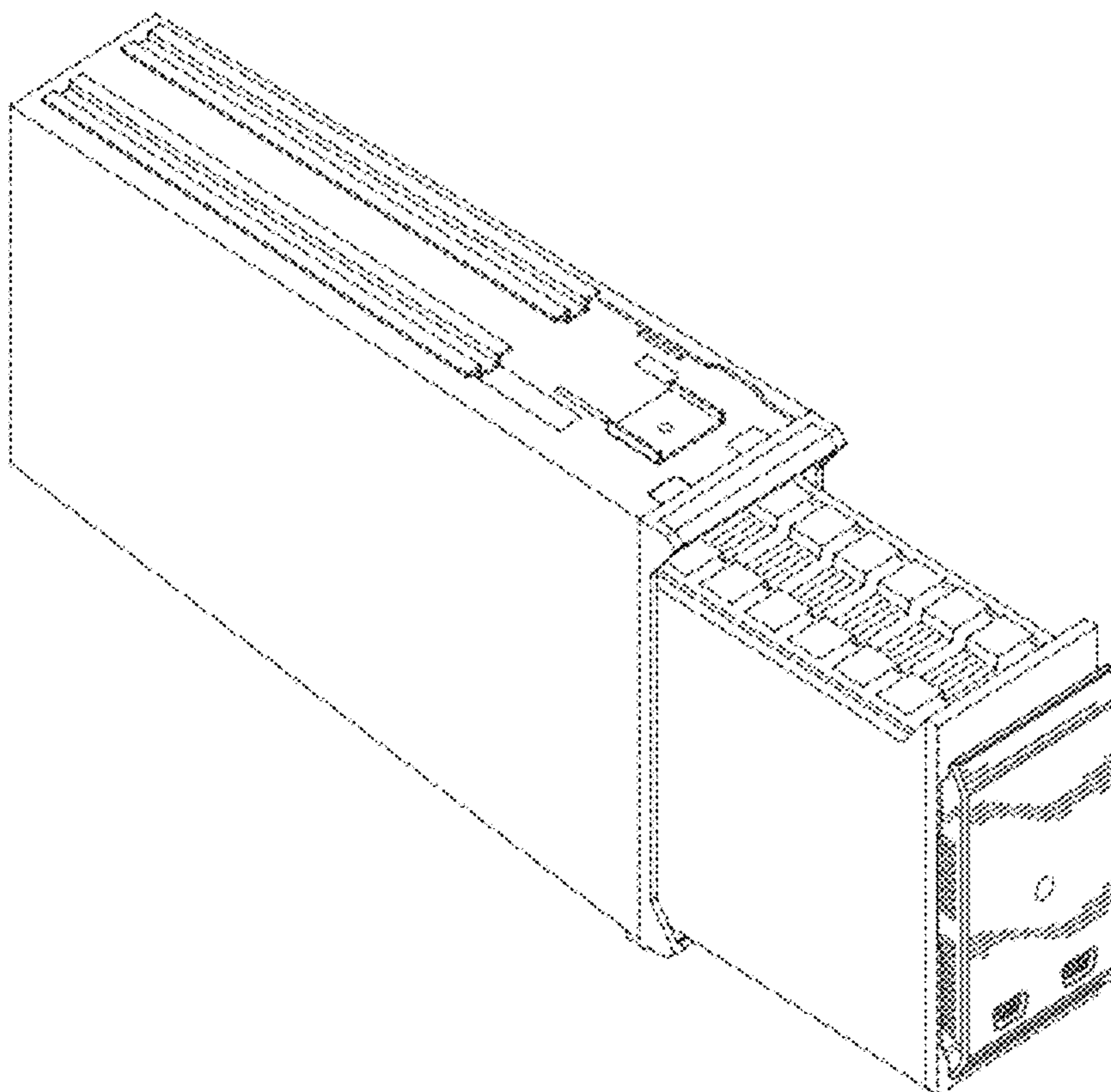
(57) **CLAIM**

We claim the ornamental design for the storage blade server, as shown and described.

DESCRIPTION

FIG. 1 is a front perspective view of the storage blade server comprising the present invention attached to a blade server housing fully inserted in a blade server chassis; FIG. 2 is a front perspective view thereof; FIG. 3 is a front view thereof; FIG. 4 is a left or right side view thereof; FIG. 5 is a top or bottom view thereof; FIG. 6 is a rear view thereof; and, FIG. 7 is a front perspective view thereof attached to a blade server housing partially inserted in a blade server chassis. Broken lines shown in the drawings illustrate portions of the storage blade server, and form no part of the claimed design.

1 Claim, 5 Drawing Sheets



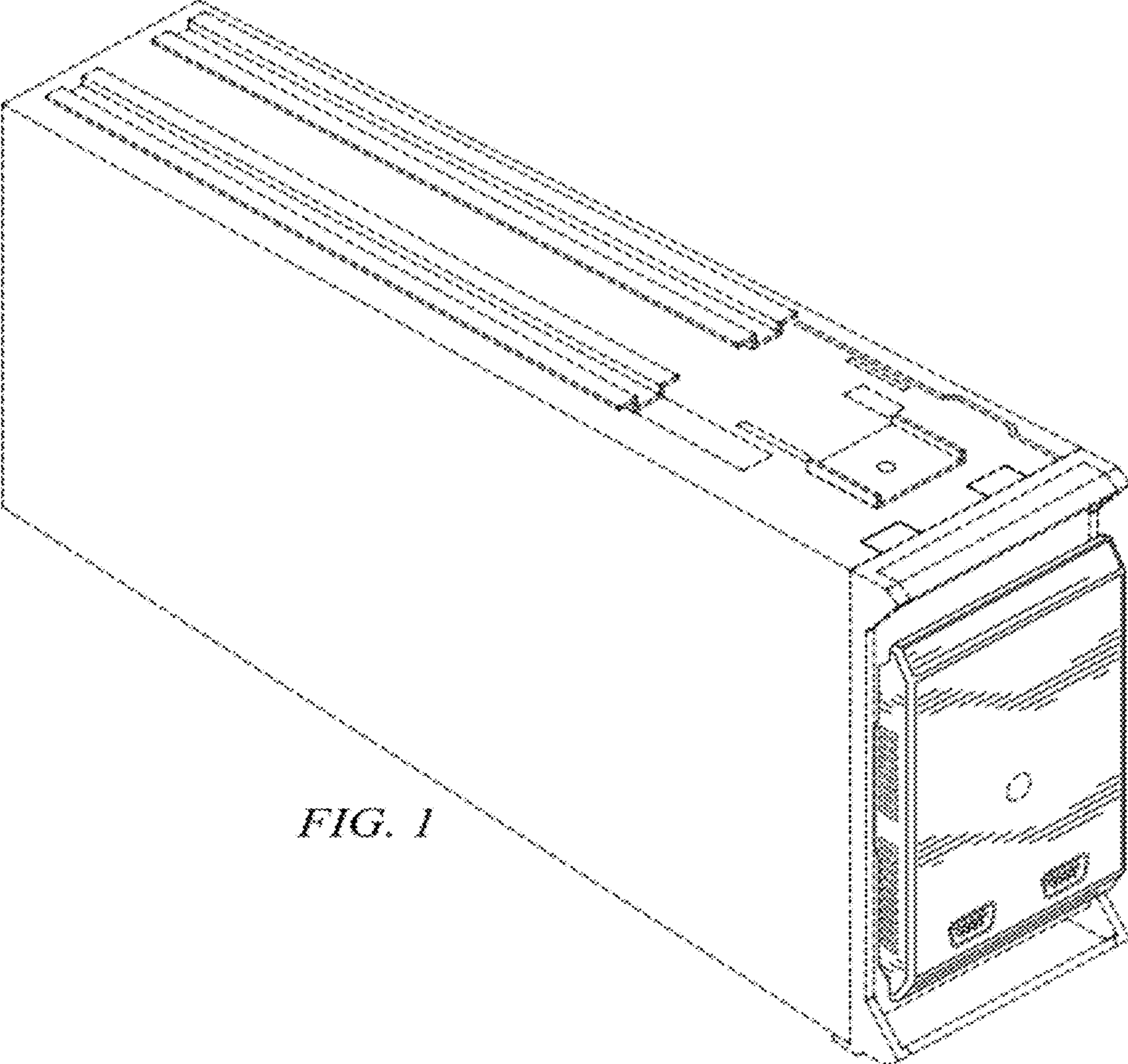


FIG. 1

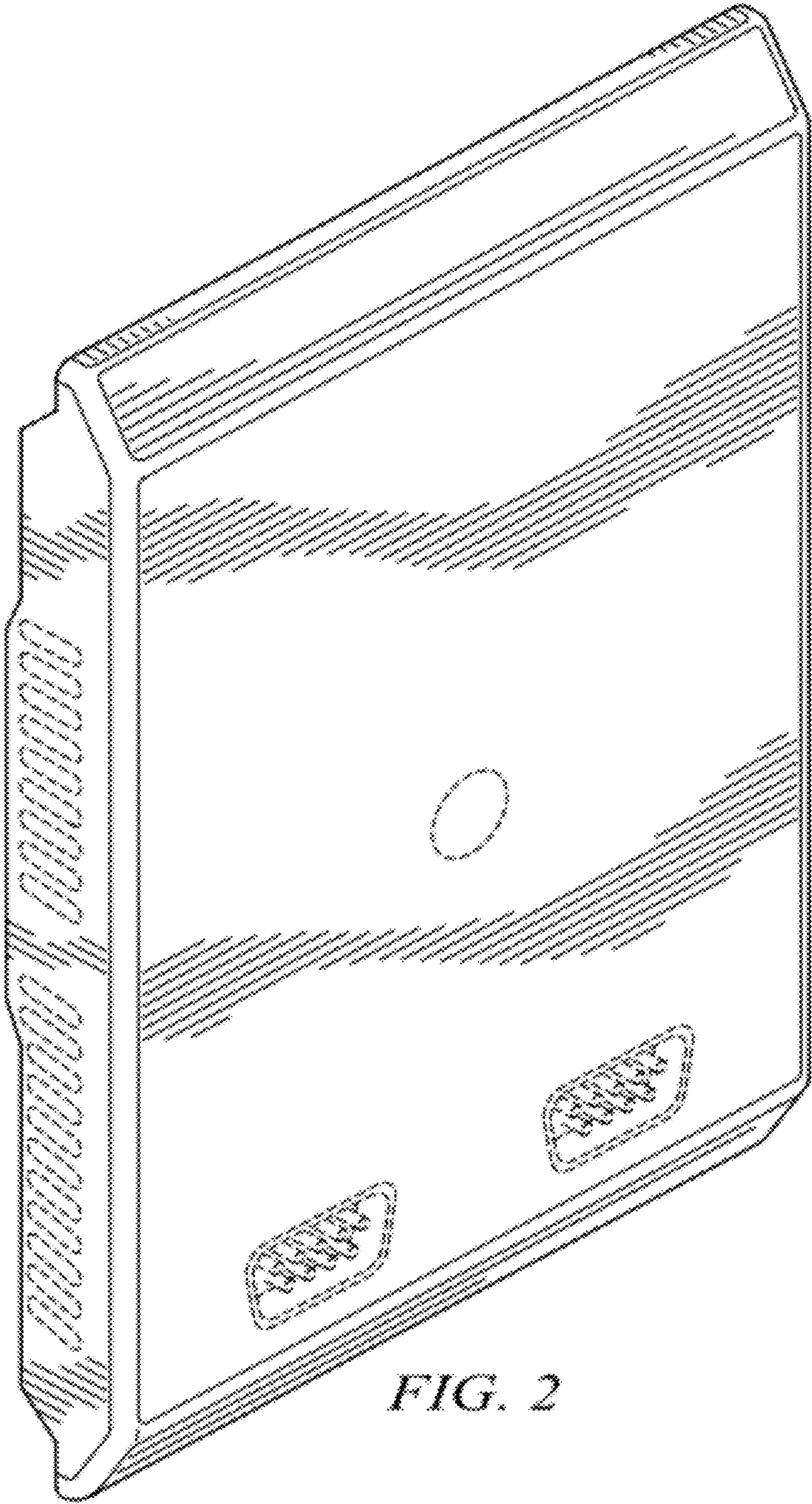


FIG. 2

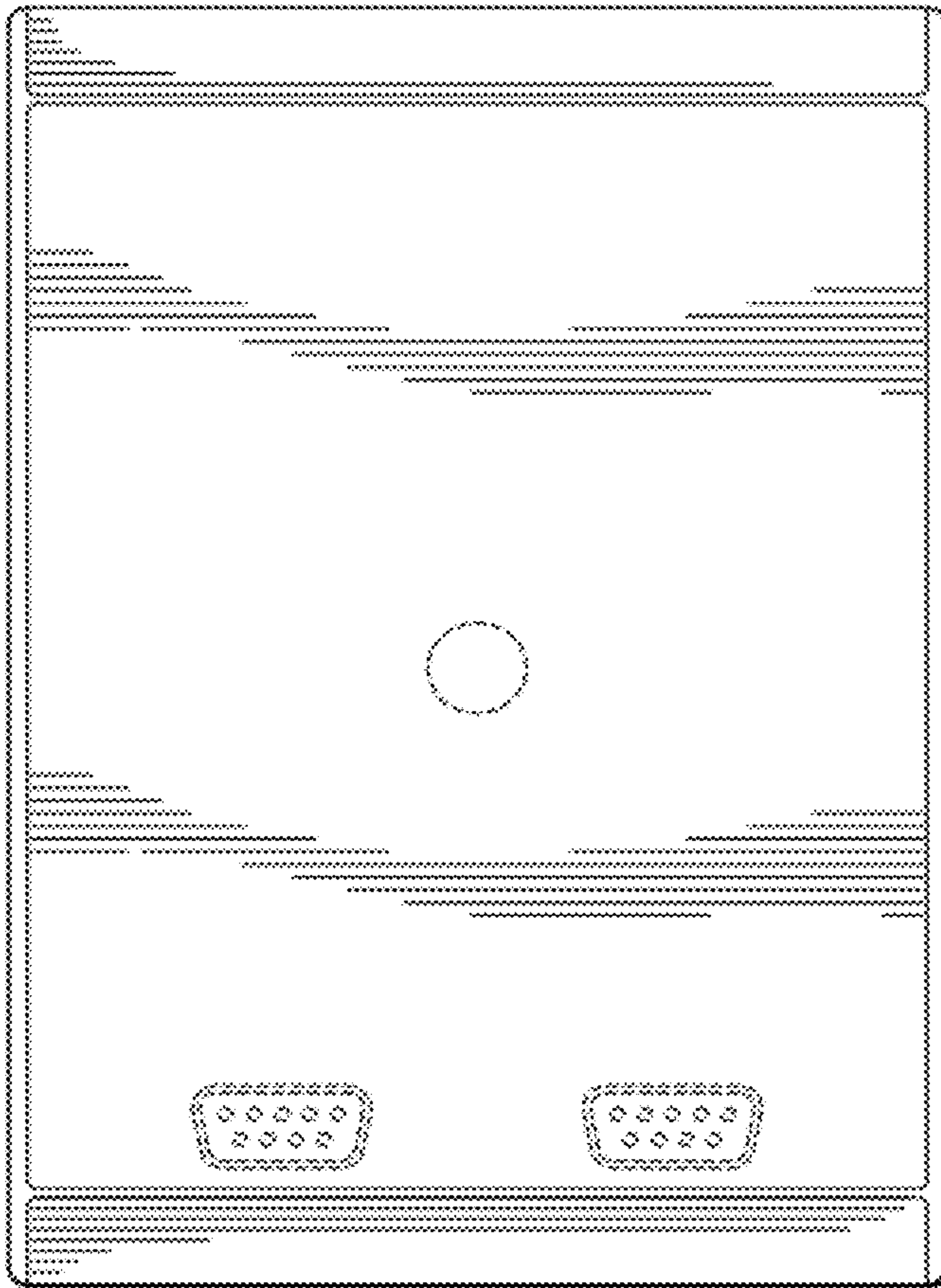


FIG. 3

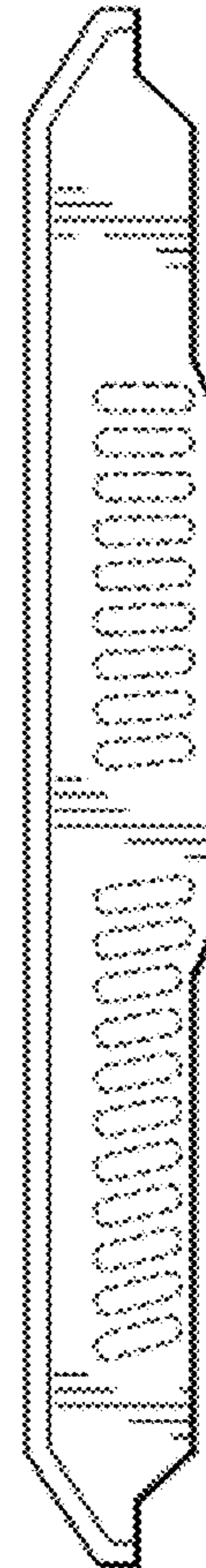


FIG. 4

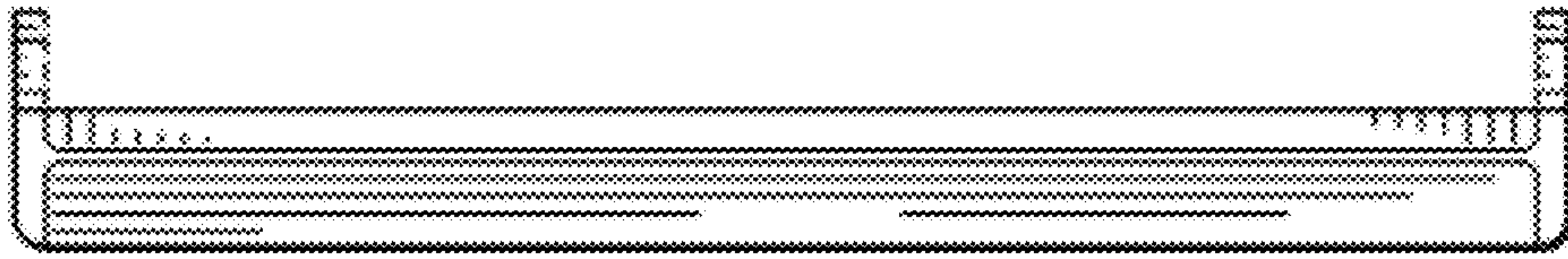


FIG. 5

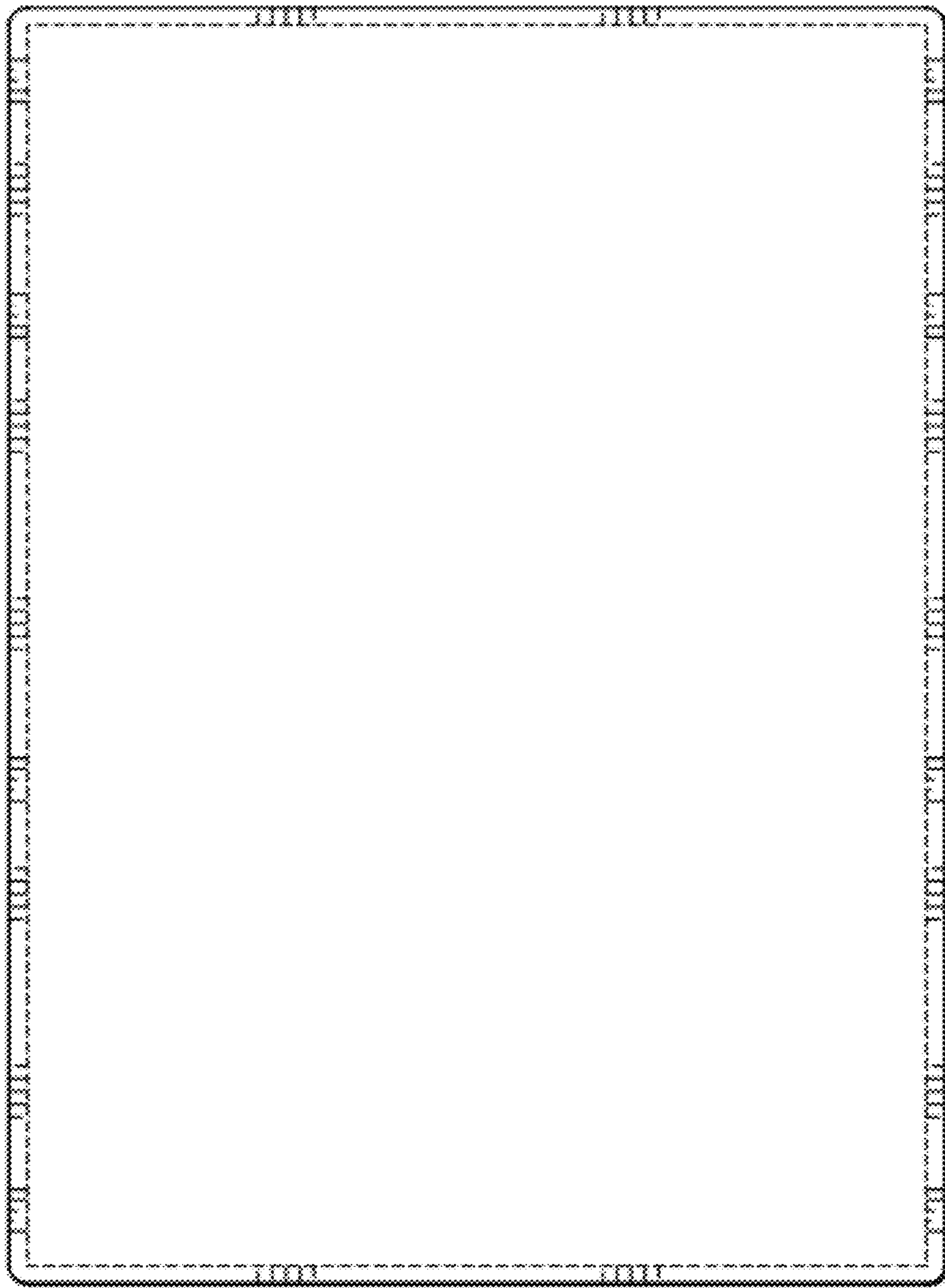


FIG. 6

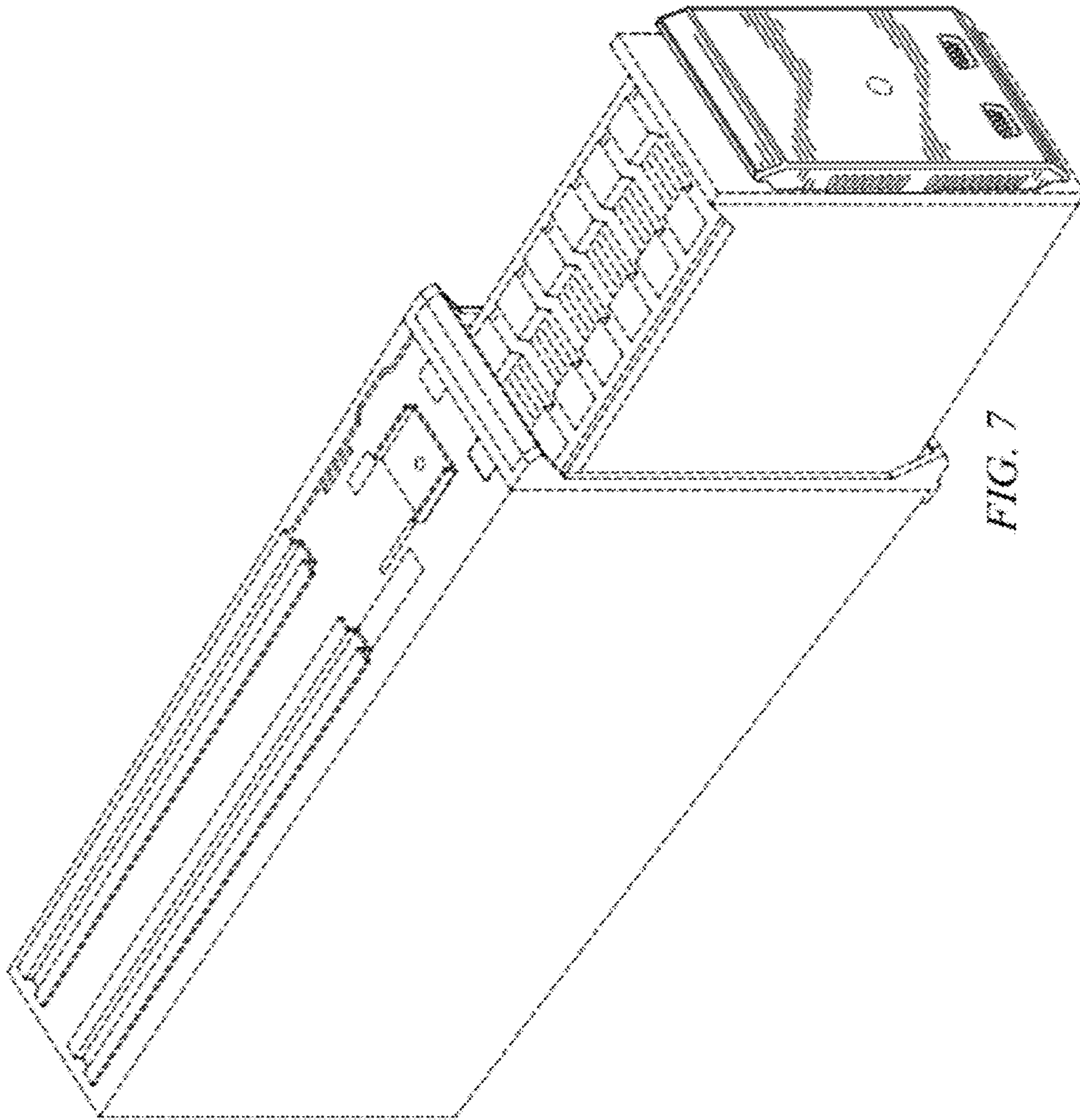


FIG. 7