



US00D659132S

(12) **United States Design Patent**  
**Wen**

(10) **Patent No.:** **US D659,132 S**

(45) **Date of Patent:** **\*\* May 8, 2012**

(54) **MOBILE PHONE PROTECTIVE HOUSING**

(75) Inventor: **Forli Wen, Hsinchu (TW)**

(73) Assignee: **EIMO Technology Co., Limited (TW)**

(\*\*) Term: **14 Years**

(21) Appl. No.: **29/347,946**

(22) Filed: **Aug. 17, 2010**

(51) **LOC (9) Cl.** ..... **14-03**

(52) **U.S. Cl.** ..... **D14/250**

(58) **Field of Classification Search** ..... D3/201,  
D3/215, 218, 269, 273, 294; D14/140, 142,  
D14/203.3, 217, 218, 240, 242, 250-253,  
D14/299, 358, 440, 450; D13/103, 107,  
D13/108.119; 220/4.02; 224/119, 191, 240,  
224/241, 245, 682, 683; 248/309.1; 361/679.3,  
361/679.56; 379/454, 455; 455/575.1, 575.6,  
455/575.7, 575.8, 575.9; 190/100; 206/305,  
206/320

See application file for complete search history.

(56) **References Cited**

**U.S. PATENT DOCUMENTS**

D618,230 S *	6/2010	Brown et al.	.....	D14/250
D623,640 S *	9/2010	Freeman	.....	D14/250
D626,538 S *	11/2010	Brown et al.	.....	D14/250
D637,592 S *	5/2011	Magness et al.	.....	D14/250
D638,005 S *	5/2011	Richardson et al.	.....	D14/250
D638,007 S *	5/2011	Chang	.....	D14/250
D643,028 S *	8/2011	Richardson et al.	.....	D14/250
D643,422 S *	8/2011	Smith et al.	.....	D14/250
D650,371 S *	12/2011	Wibby et al.	.....	D14/238.1

D650,376 S \* 12/2011 Wibby et al. .... D14/250  
2009/0247244 A1 \* 10/2009 Mittleman et al. .... 455/575.1  
2010/0104814 A1 \* 4/2010 Richardson et al. .... 428/156

\* cited by examiner

*Primary Examiner* — Raphael Barkai

*Assistant Examiner* — Randall Gholson

(74) *Attorney, Agent, or Firm* — Bacon & Thomas, PLLC

(57) **CLAIM**

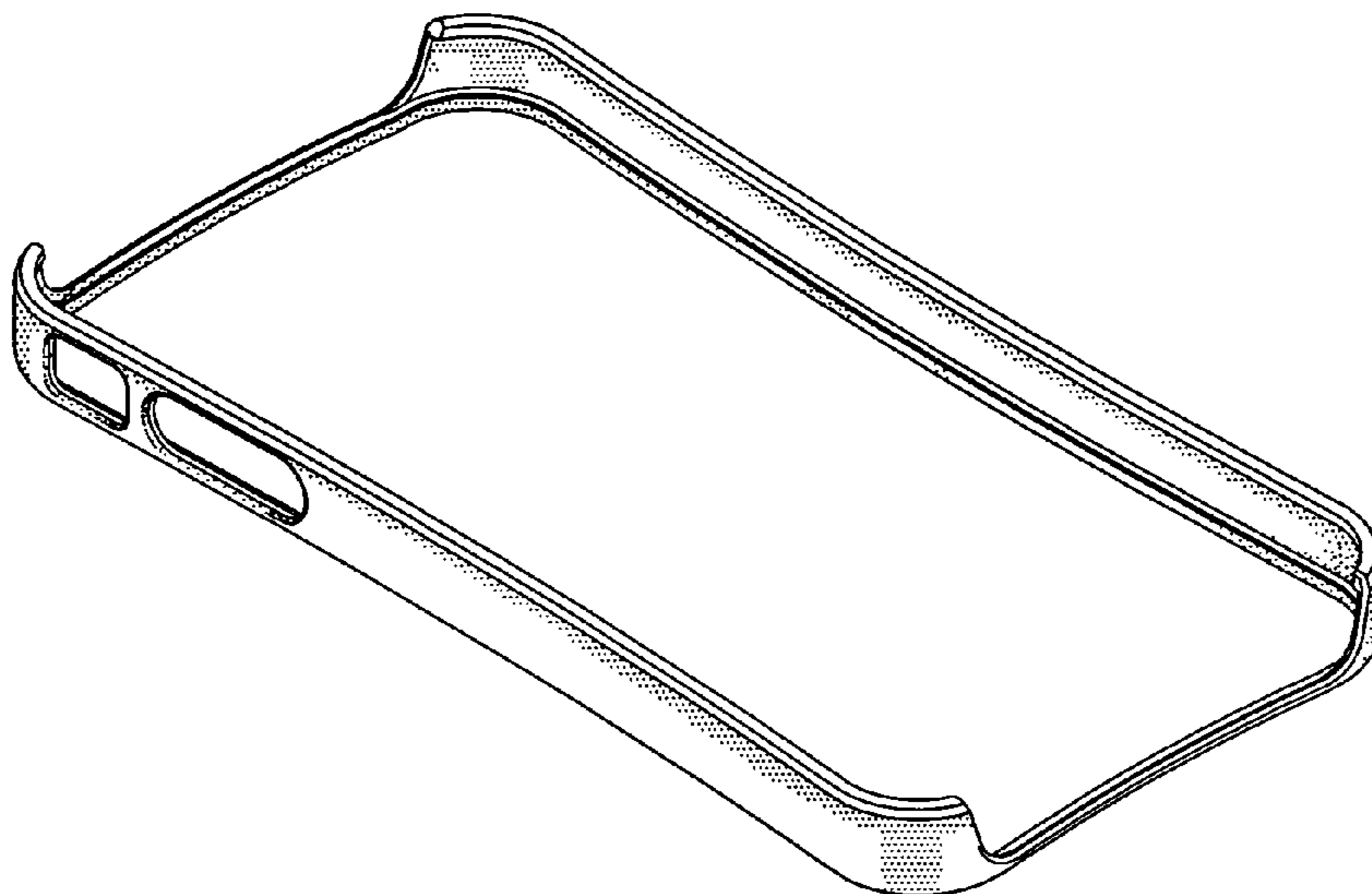
The ornamental design for a mobile phone protective housing, as shown and described.

**DESCRIPTION**

FIG. 1 is a perspective view of a mobile phone protective housing showing my new design;  
FIG. 2 is a front elevational view thereof;  
FIG. 3 is a rear elevational view thereof;  
FIG. 4 is a left side elevational view thereof;  
FIG. 5 is a right side elevational view thereof;  
FIG. 6 is a top plan view thereof;  
FIG. 7 is a bottom plan view thereof;  
FIG. 8 is a reference drawing thereof in a usage state;  
FIG. 9 is a perspective view of a second embodiment of a mobile phone protective housing showing my new design;  
FIG. 10 is a front elevational view thereof;  
FIG. 11 is a rear elevational view thereof;  
FIG. 12 is a left side elevational view thereof;  
FIG. 13 is a right side elevational view thereof;  
FIG. 14 is a top plan view thereof;  
FIG. 15 is a bottom view thereof; and,  
FIG. 16 is a reference drawing thereof in a usage state.

The broken lines shown on the drawings are included for the purpose of illustration and form no part of the claimed design.

**1 Claim, 10 Drawing Sheets**



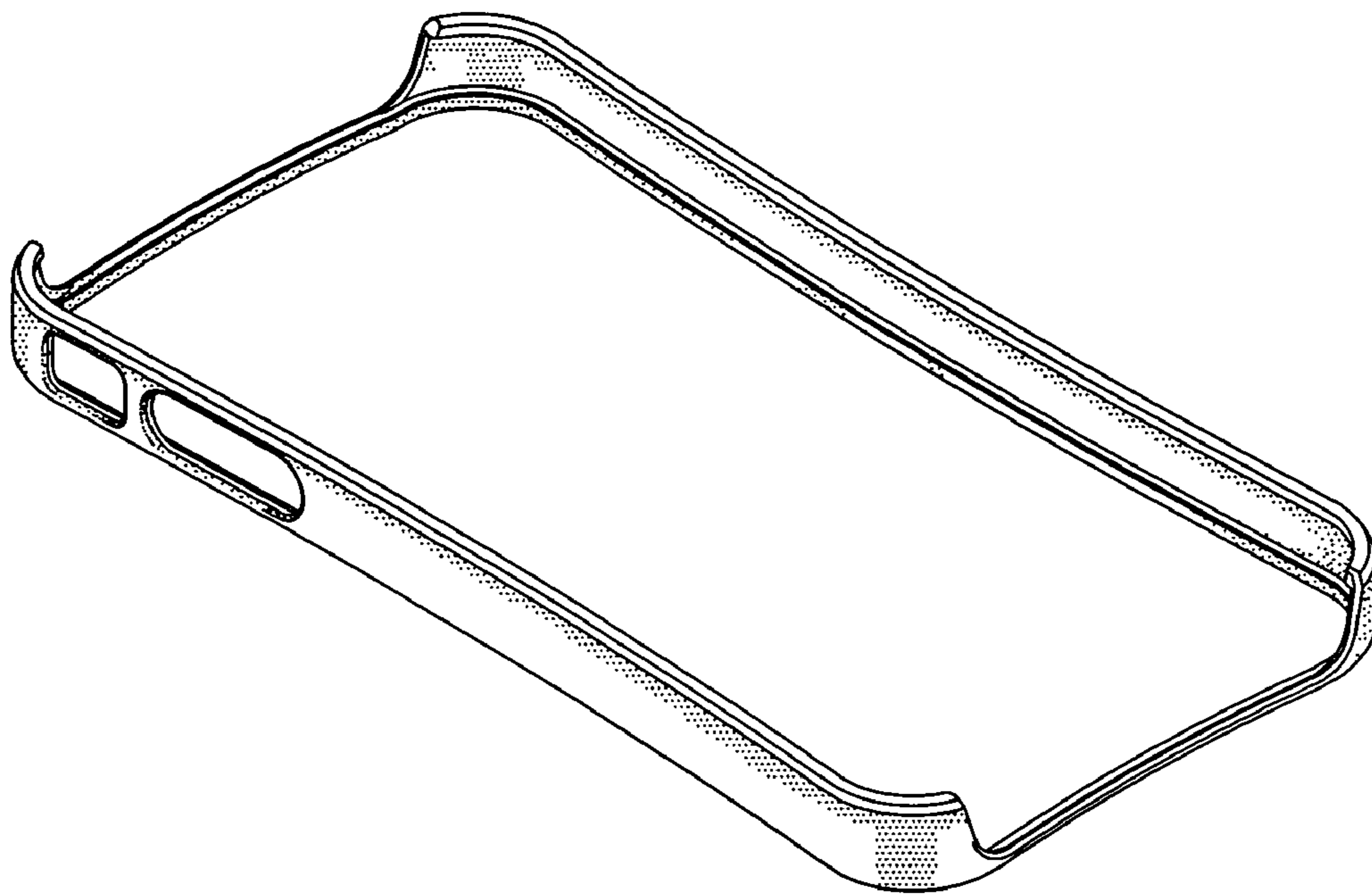


FIG. 1

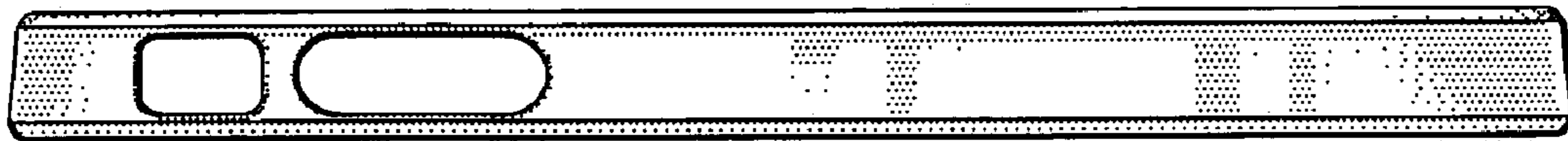


FIG. 2

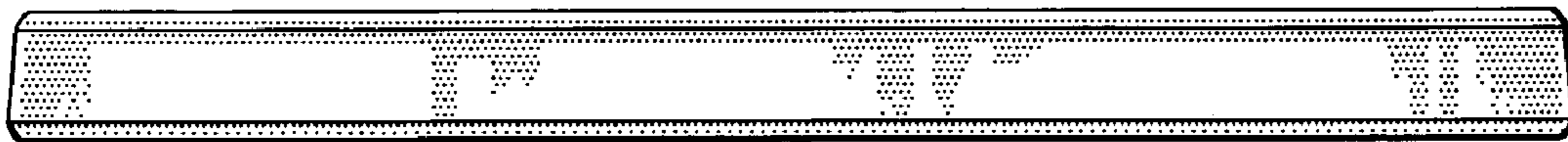


FIG. 3

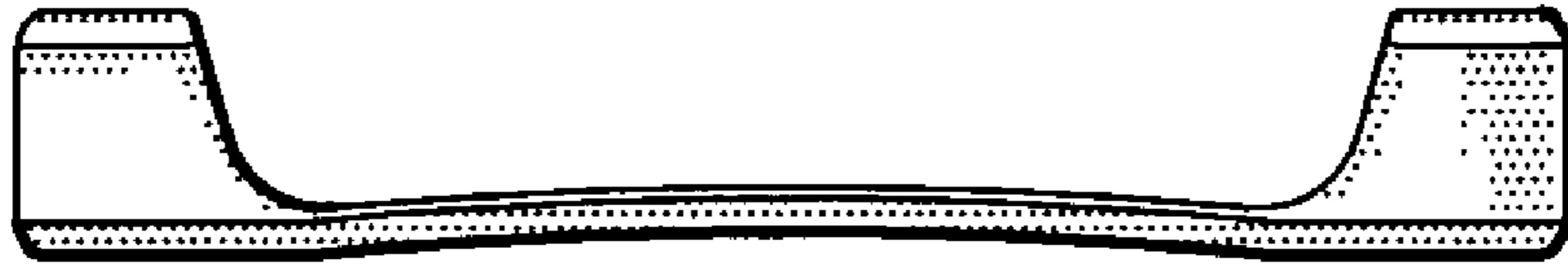


FIG. 4



FIG. 5

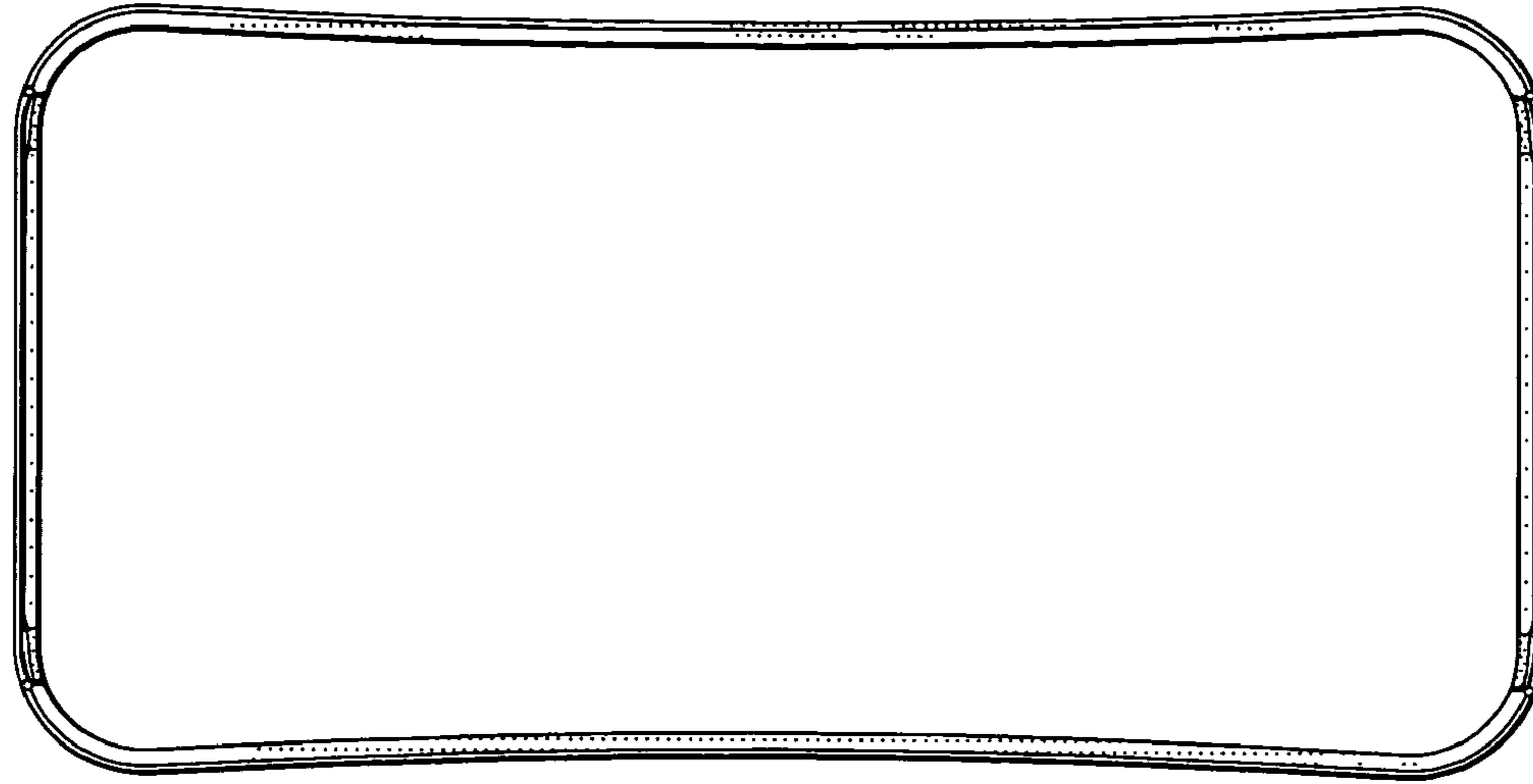


FIG. 6

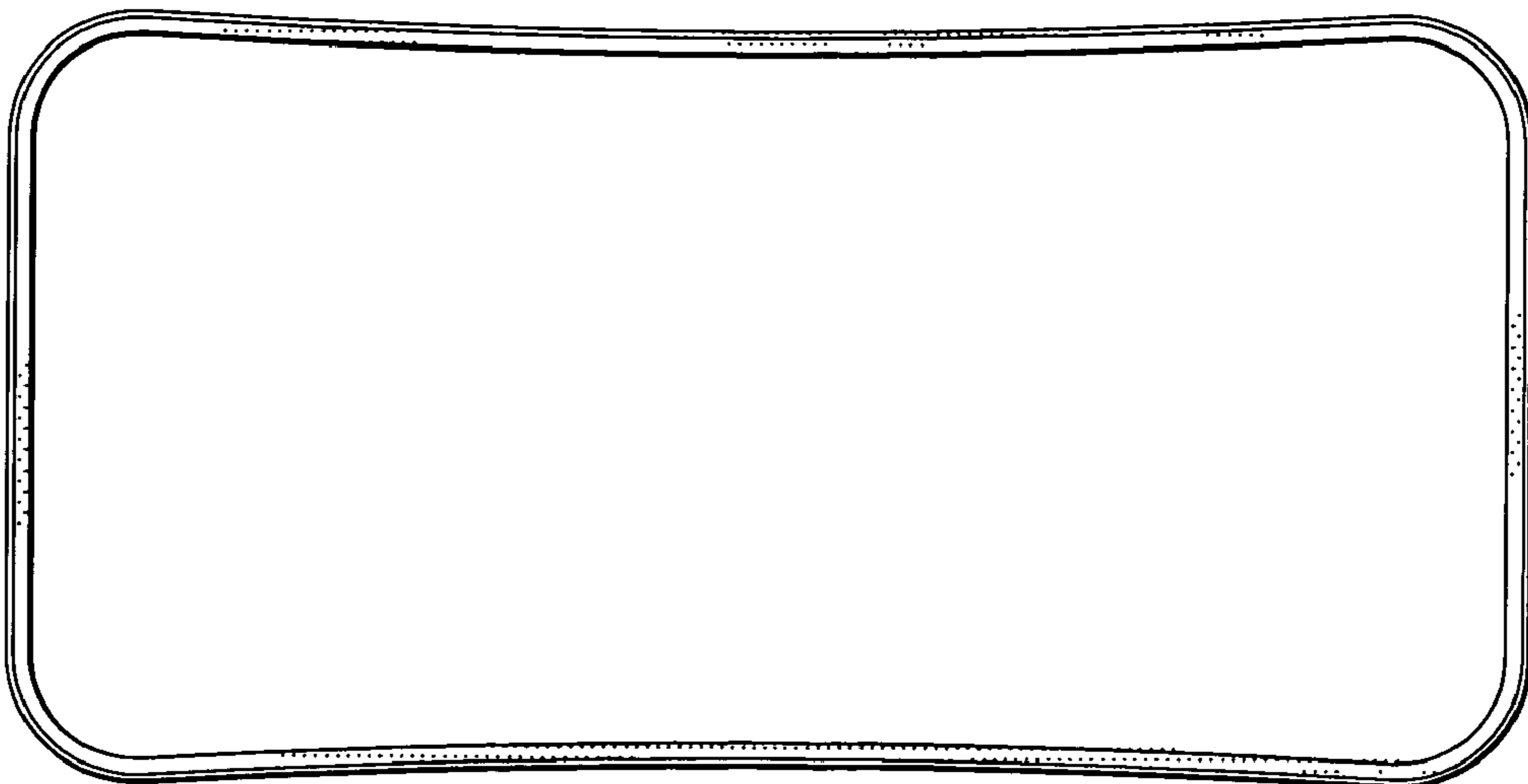


FIG. 7

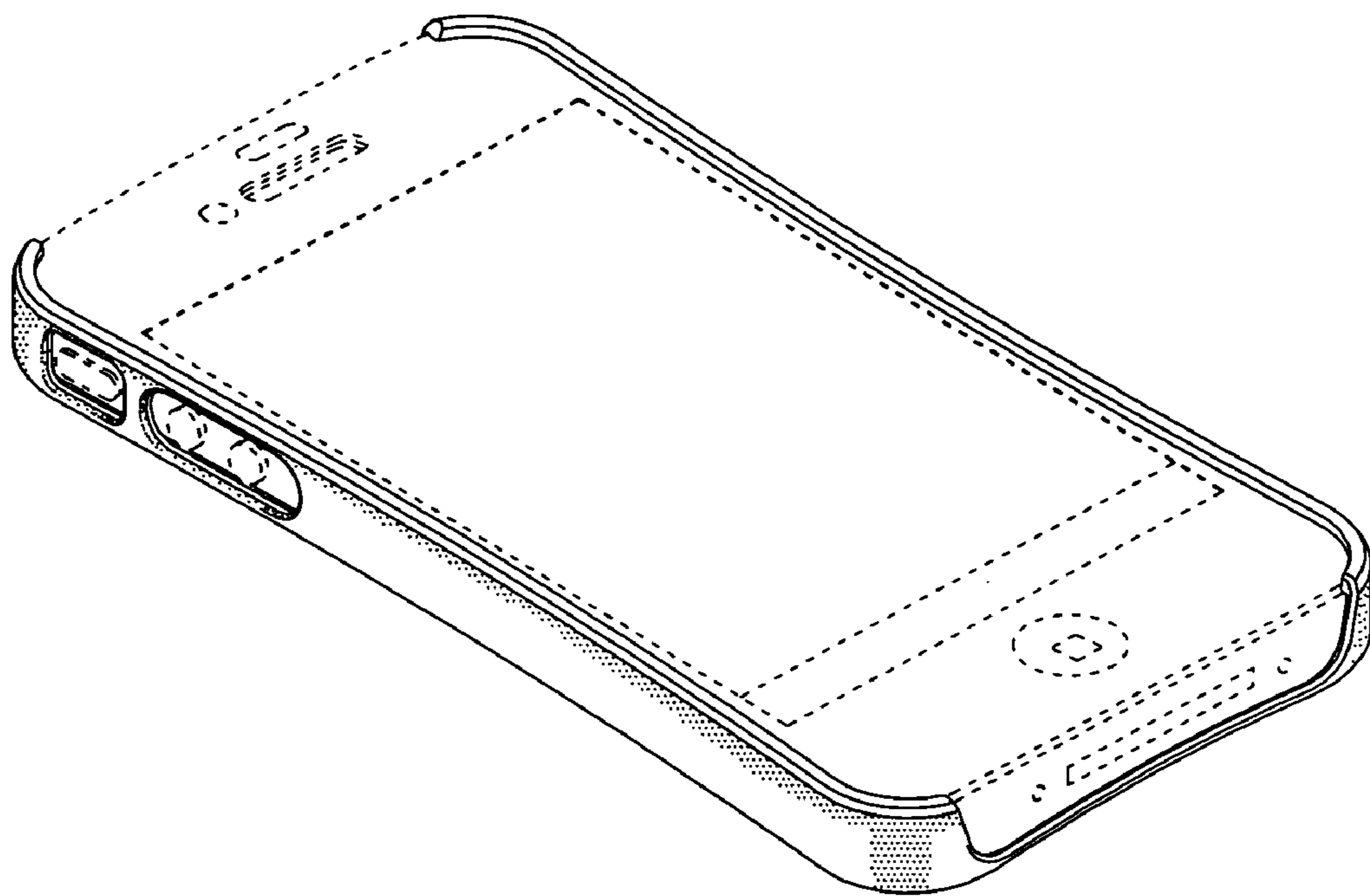


FIG. 8



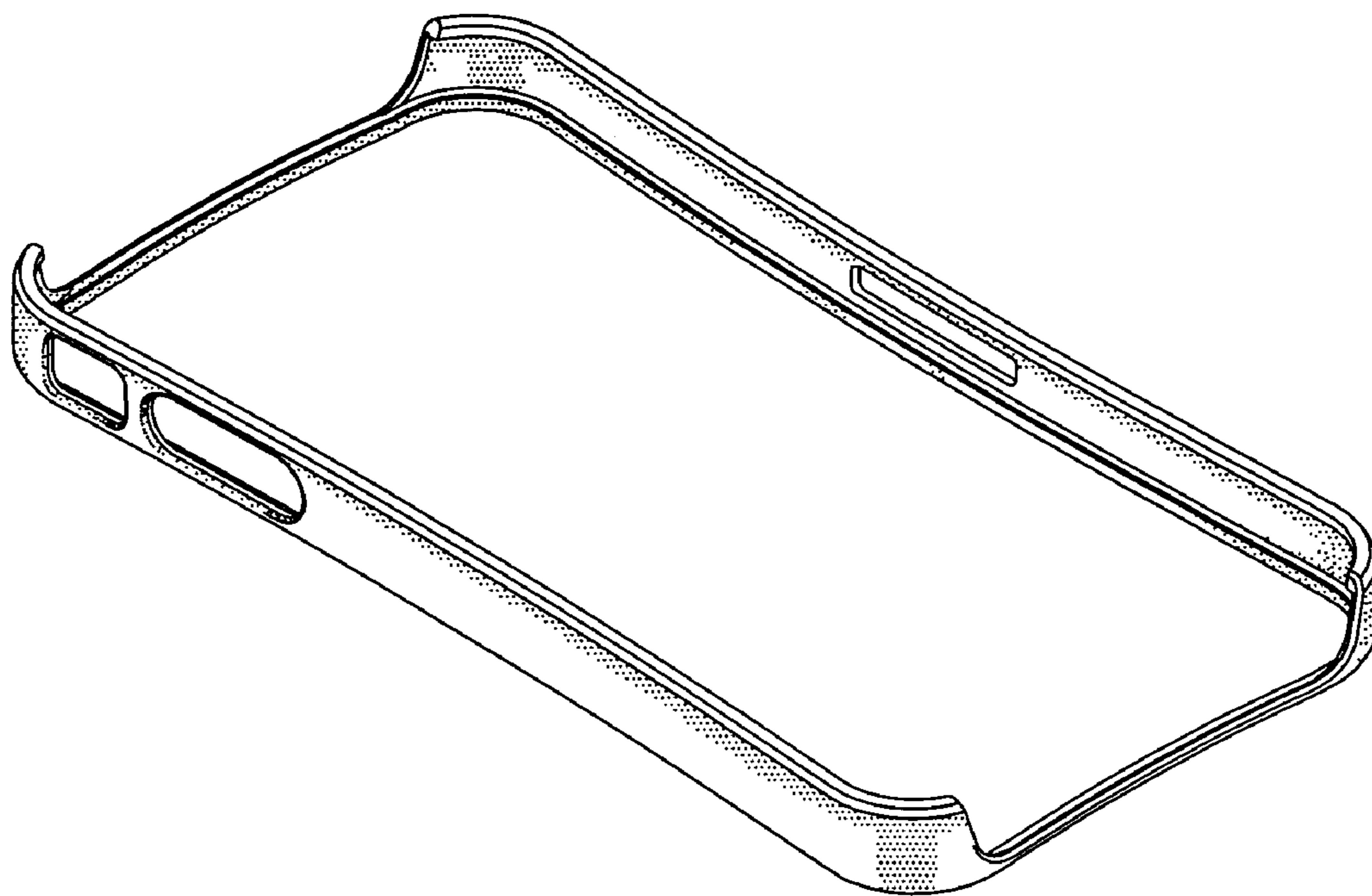


FIG. 9

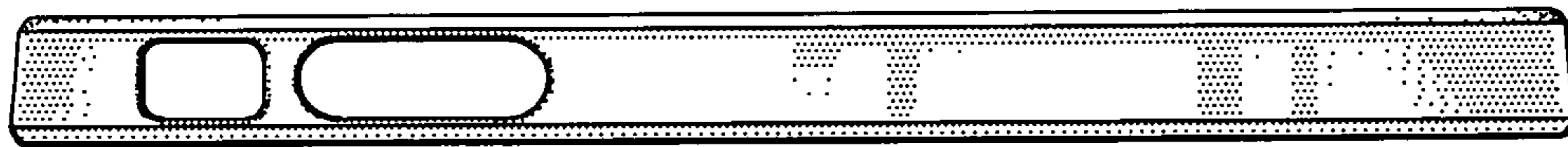


FIG. 10

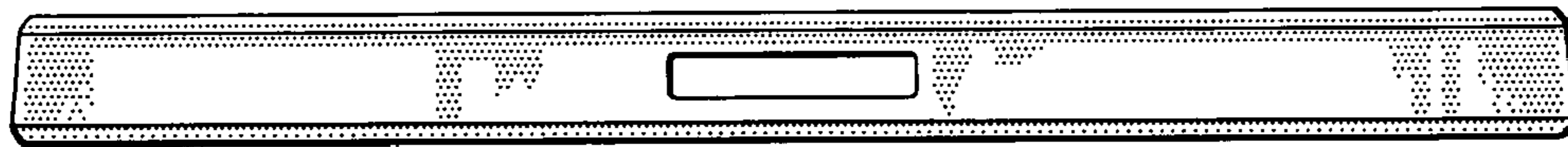


FIG. 11



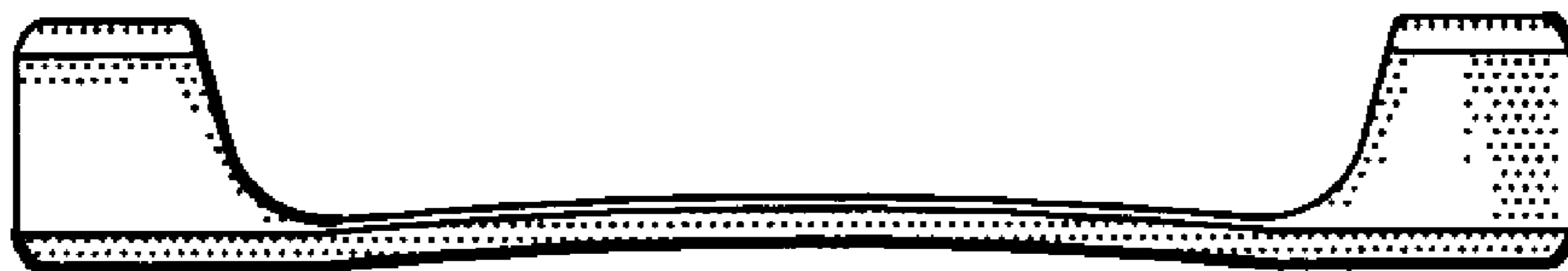


FIG. 12



FIG. 13

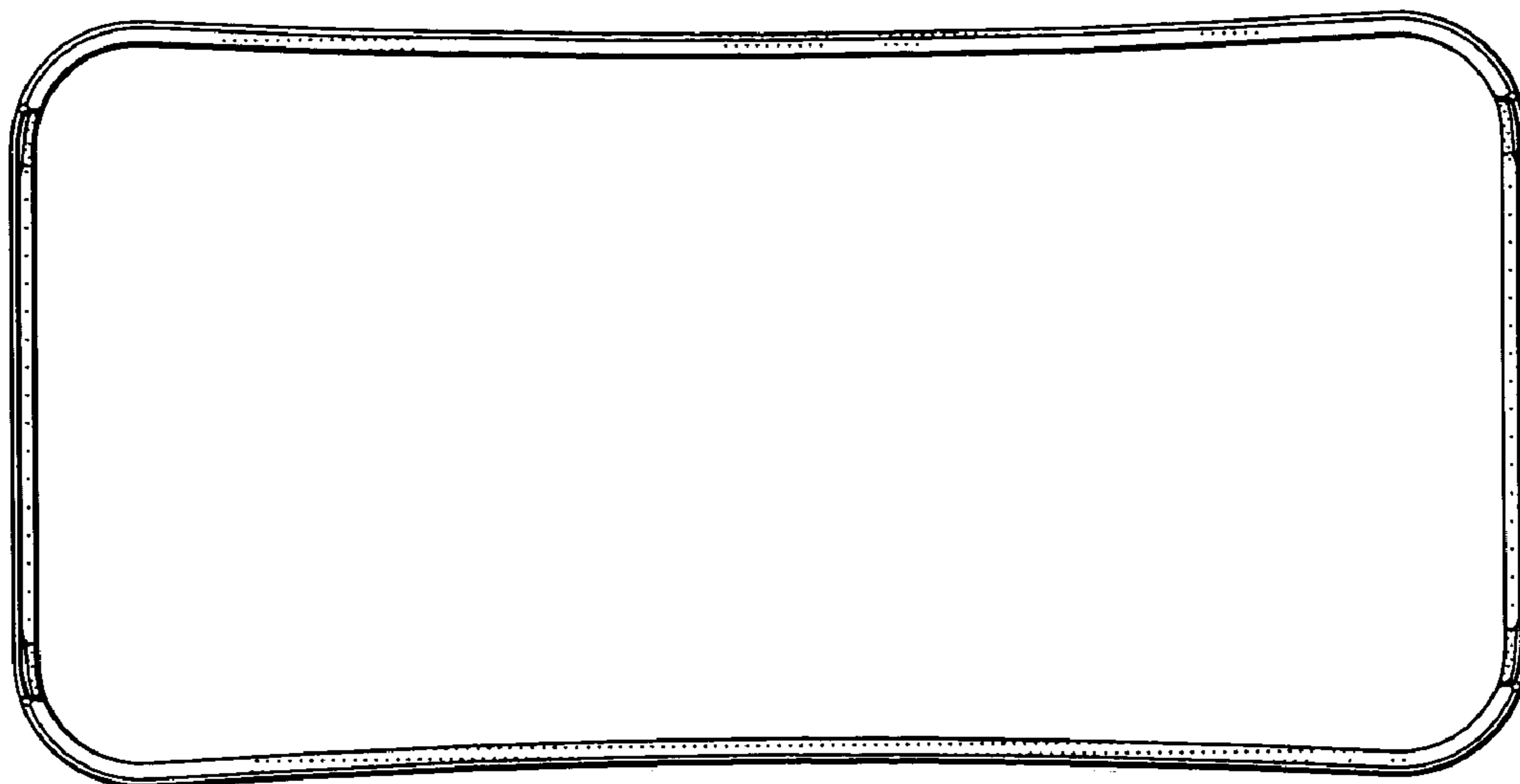


FIG. 14

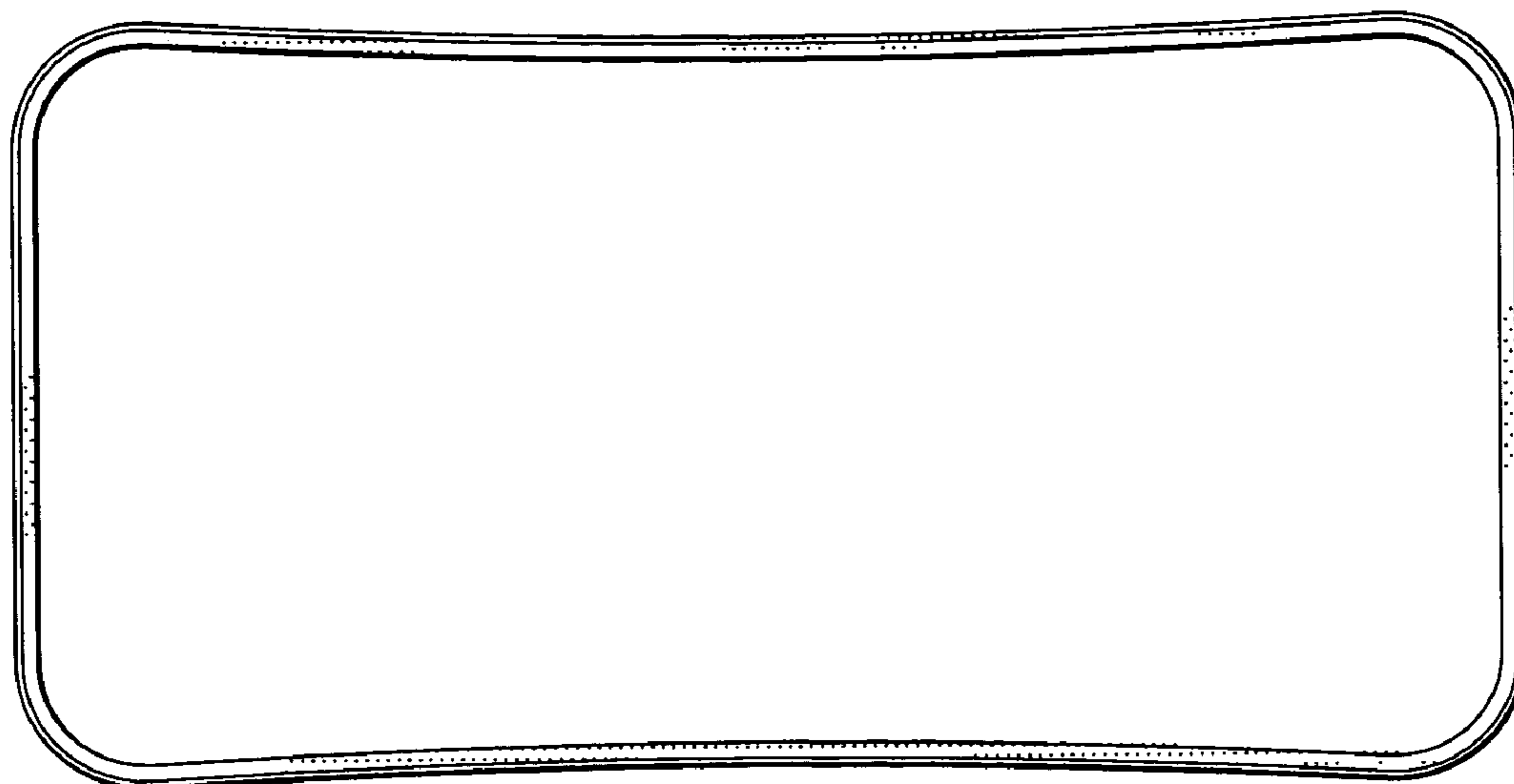


FIG. 15

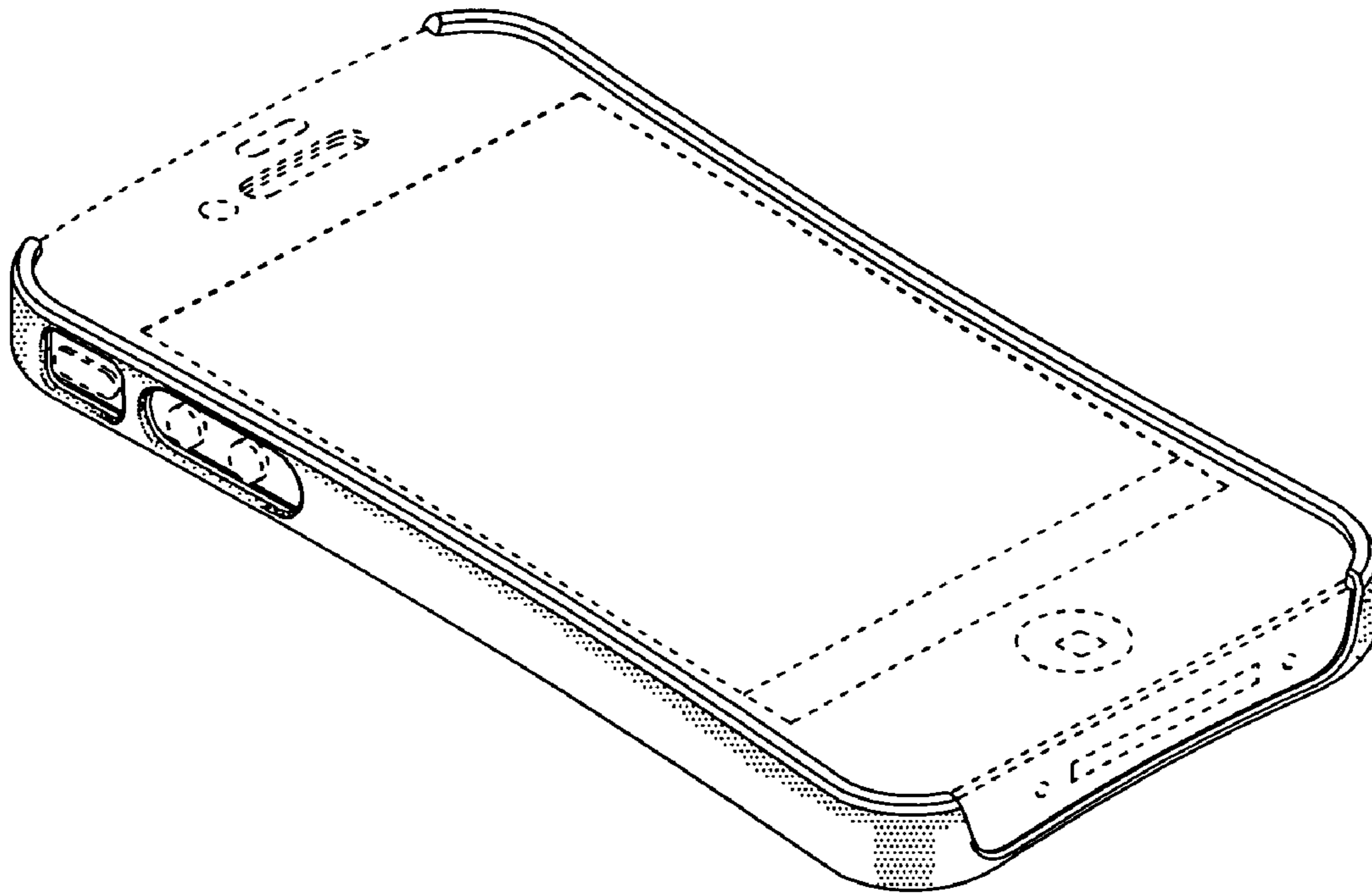


FIG. 16