



US00D659129S

(12) **United States Design Patent**  
**Mi et al.**

(10) **Patent No.:** **US D659,129 S**

(45) **Date of Patent:** **\*\* May 8, 2012**

(54) **MULTI-BAND ANTENNA**

(75) Inventors: **Shih-Yuan Mi**, New Taipei (TW);  
**Jia-Hung Su**, New Taipei (TW); **Kai Shih**, New Taipei (TW)

(73) Assignee: **Cheng Uei Precision Industry Co., Ltd.**, New Taipei (TW)

(\*\*) Term: **14 Years**

(21) Appl. No.: **29/404,090**

(22) Filed: **Oct. 14, 2011**

(51) **LOC (9) Cl.** ..... **14-03**

(52) **U.S. Cl.** ..... **D14/230**

(58) **Field of Classification Search** ..... D14/138,  
D14/230-238, 299, 358; D12/42, 43; 343/700 MS,  
343/700 R-705, 711-713, 735, 736, 741,  
343/748, 767, 795, 819, 840, 846, 866, 871-908;  
455/90.2, 90.3, 91, 128, 269, 344, 347, 562.1;  
333/193, 195

See application file for complete search history.

(56) **References Cited**

**U.S. PATENT DOCUMENTS**

7,023,387	B2 *	4/2006	Wen et al.	.....	343/700 MS
D534,902	S *	1/2007	Su et al.	.....	D14/230
D555,154	S *	11/2007	Lin et al.	.....	D14/230
7,333,067	B2 *	2/2008	Hung et al.	.....	343/770
D588,115	S *	3/2009	Yoshioka	.....	D14/230
D592,195	S *	5/2009	Wu et al.	.....	D14/230
D605,640	S *	12/2009	Wu et al.	.....	D14/230

D606,053	S *	12/2009	Wu et al.	.....	D14/230
D608,354	S *	1/2010	Yang et al.	.....	D14/230
D612,368	S *	3/2010	Yang et al.	.....	D14/230
D615,534	S *	5/2010	Tsai et al.	.....	D14/230
D632,681	S *	2/2011	Yu et al.	.....	D14/230
D633,483	S *	3/2011	Su et al.	.....	D14/230
7,965,239	B2 *	6/2011	Yang et al.	.....	343/700 MS
D649,962	S *	12/2011	Tseng et al.	.....	D14/230
2005/0073462	A1 *	4/2005	Lin et al.	.....	343/702
2005/0128151	A1 *	6/2005	Kwak et al.	.....	343/702
2008/0030411	A1 *	2/2008	Wen et al.	.....	343/702
2009/0002244	A1 *	1/2009	Woo	.....	343/702
2009/0146906	A1 *	6/2009	Anguera Pros et al.	.....	343/906
2009/0267840	A1 *	10/2009	Xu et al.	.....	343/700 MS

\* cited by examiner

*Primary Examiner* — John Windmuller

(74) *Attorney, Agent, or Firm* — Cheng-Ju Chiang

(57) **CLAIM**

The ornamental design for a multi-band antenna, as shown and described.

**DESCRIPTION**

FIG. 1 is a perspective view of a multi-band antenna showing our new design;

FIG. 2 is a front elevational view thereof;

FIG. 3 is a rear elevational view thereof;

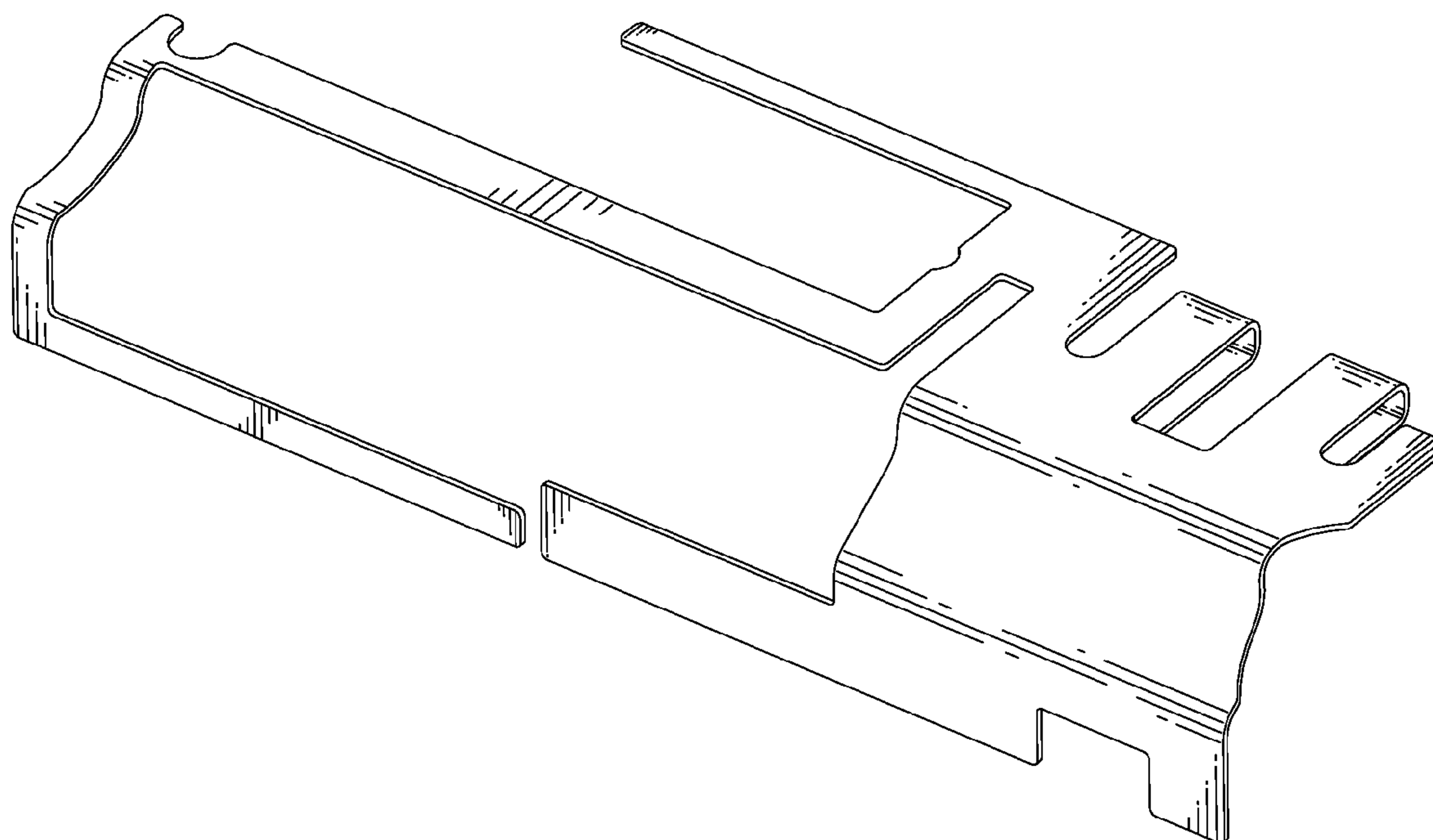
FIG. 4 is a left side elevational view thereof;

FIG. 5 is a right side elevational view thereof;

FIG. 6 is a top plan view thereof; and,

FIG. 7 is a bottom plan view thereof.

**1 Claim, 7 Drawing Sheets**



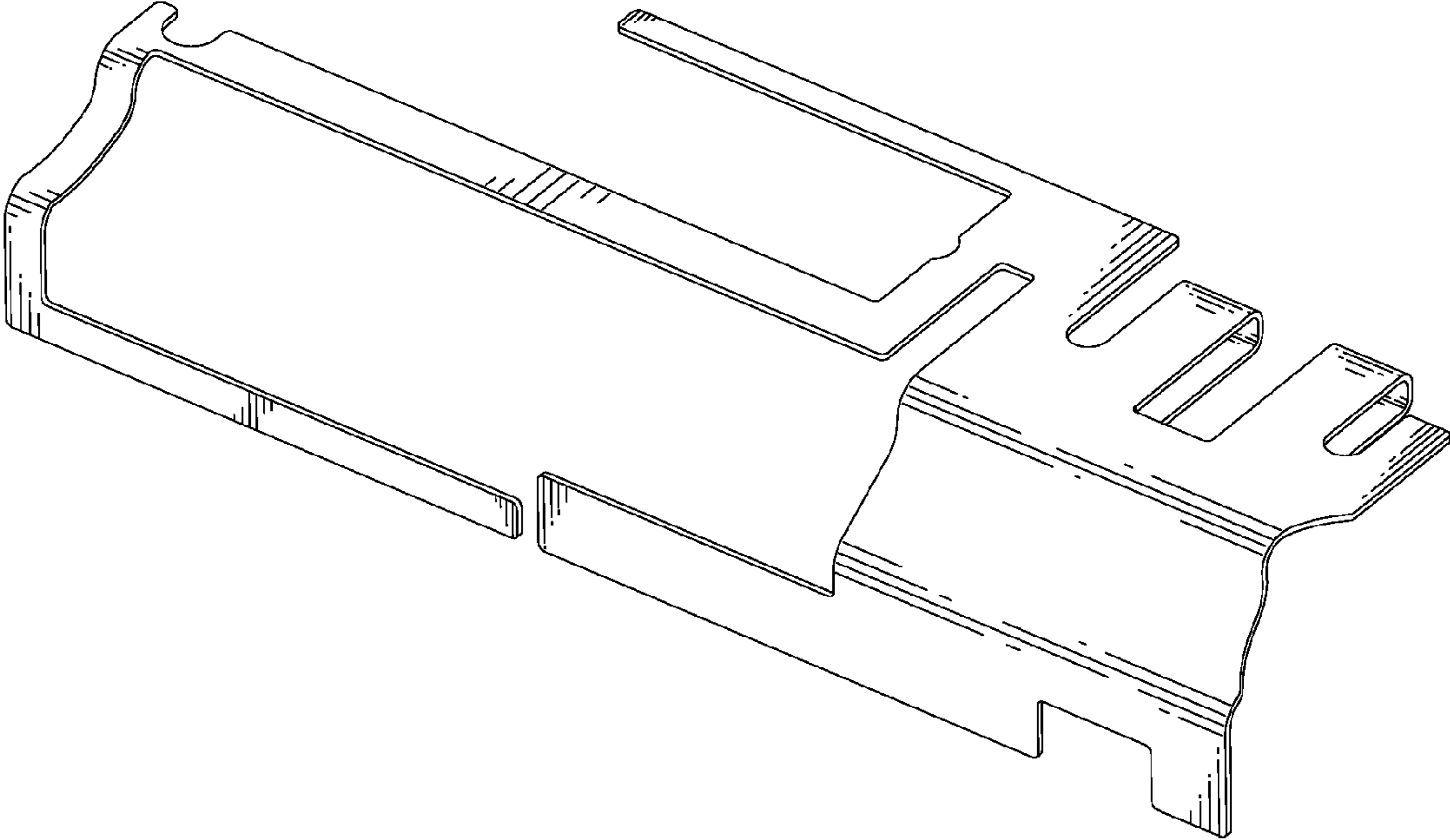


FIG. 1

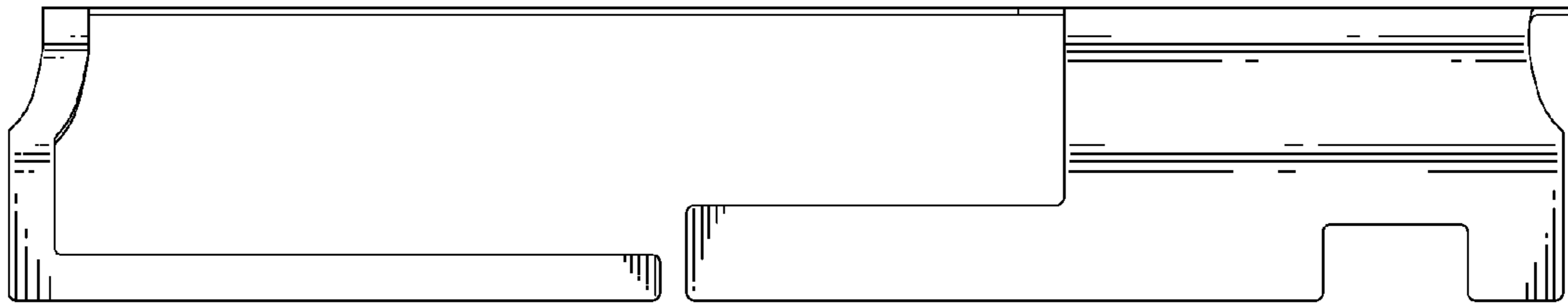


FIG. 2

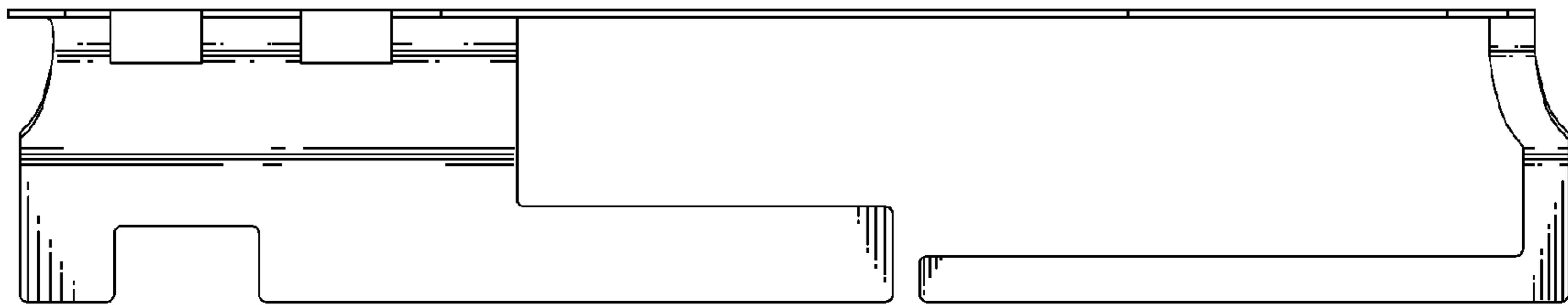


FIG. 3

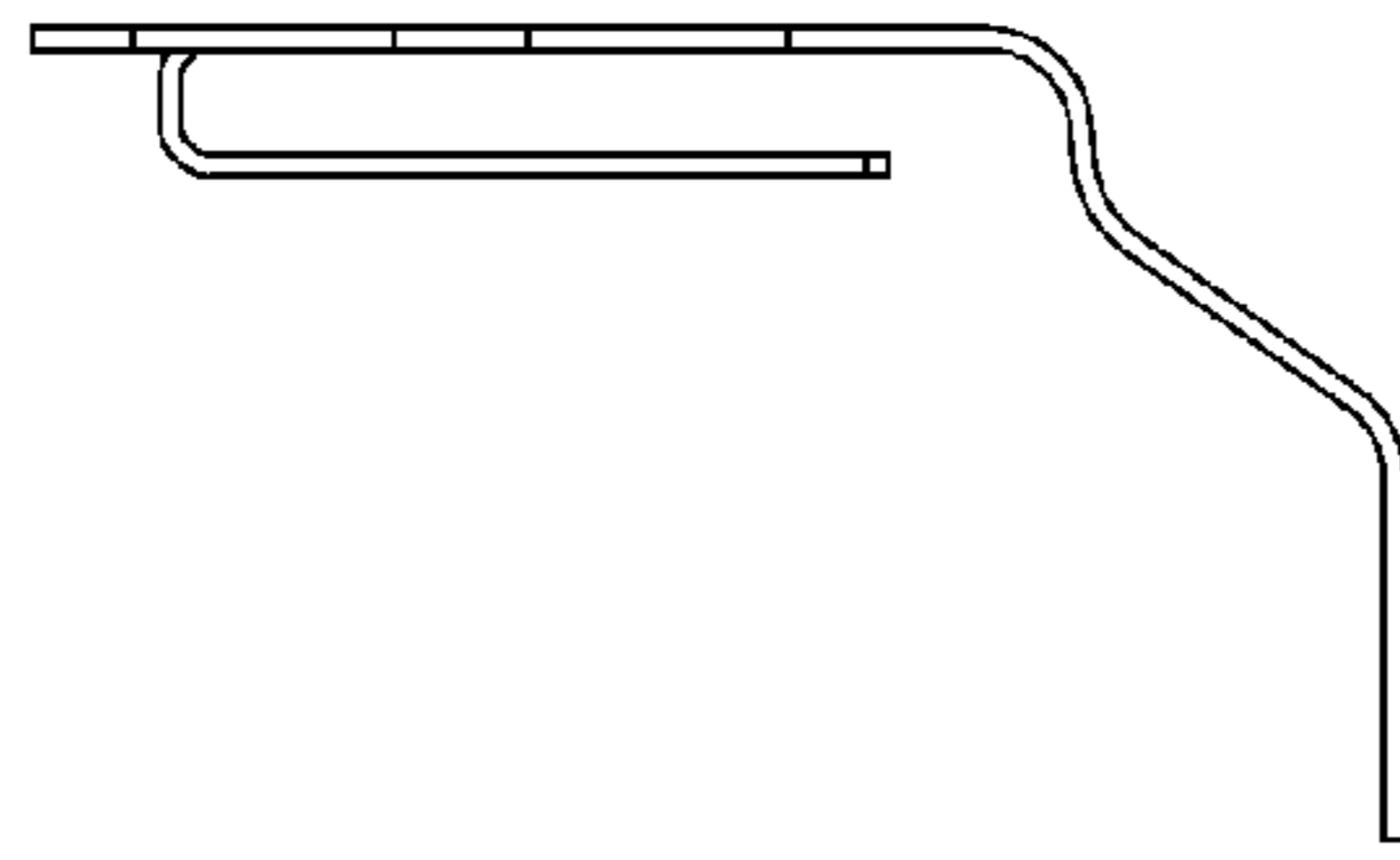


FIG. 4

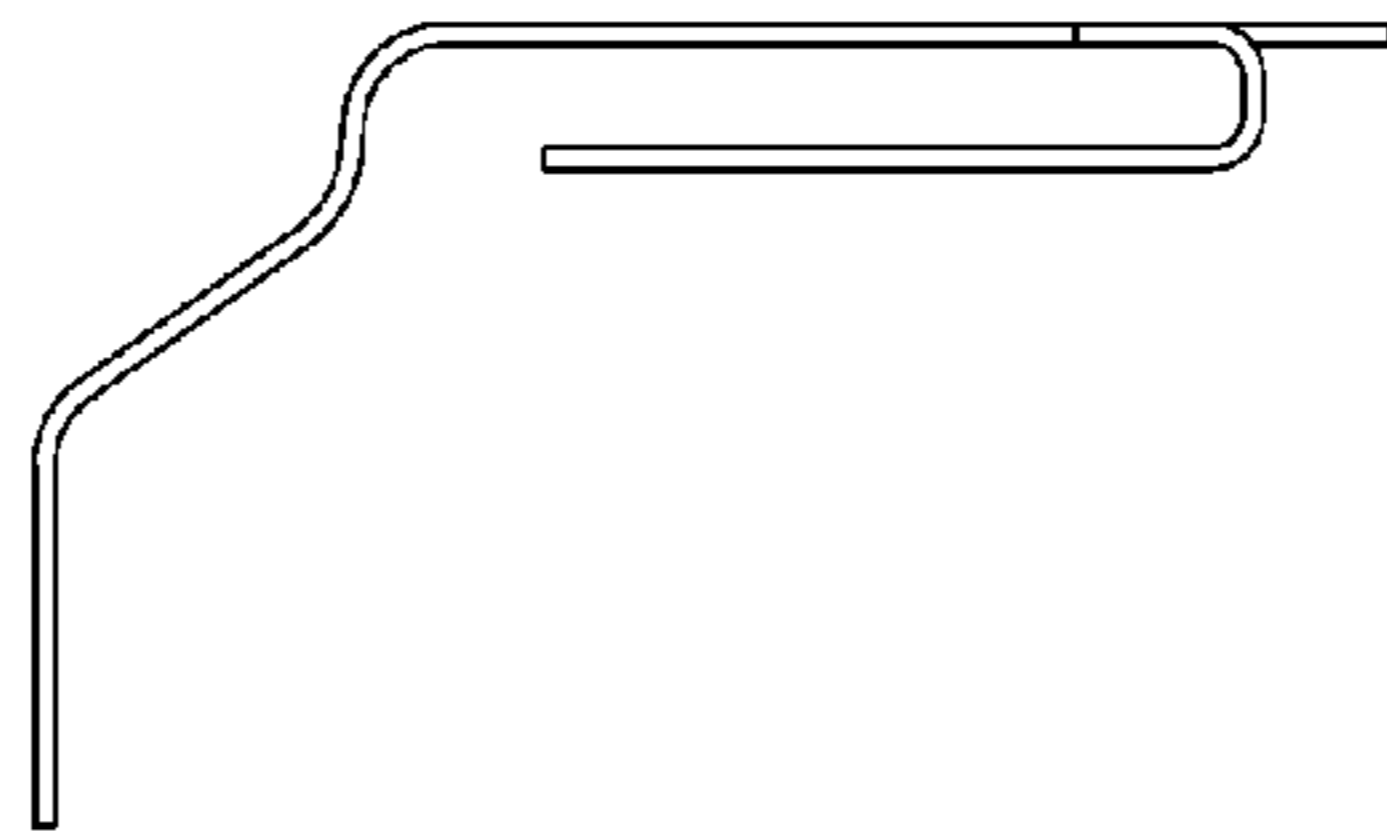


FIG. 5

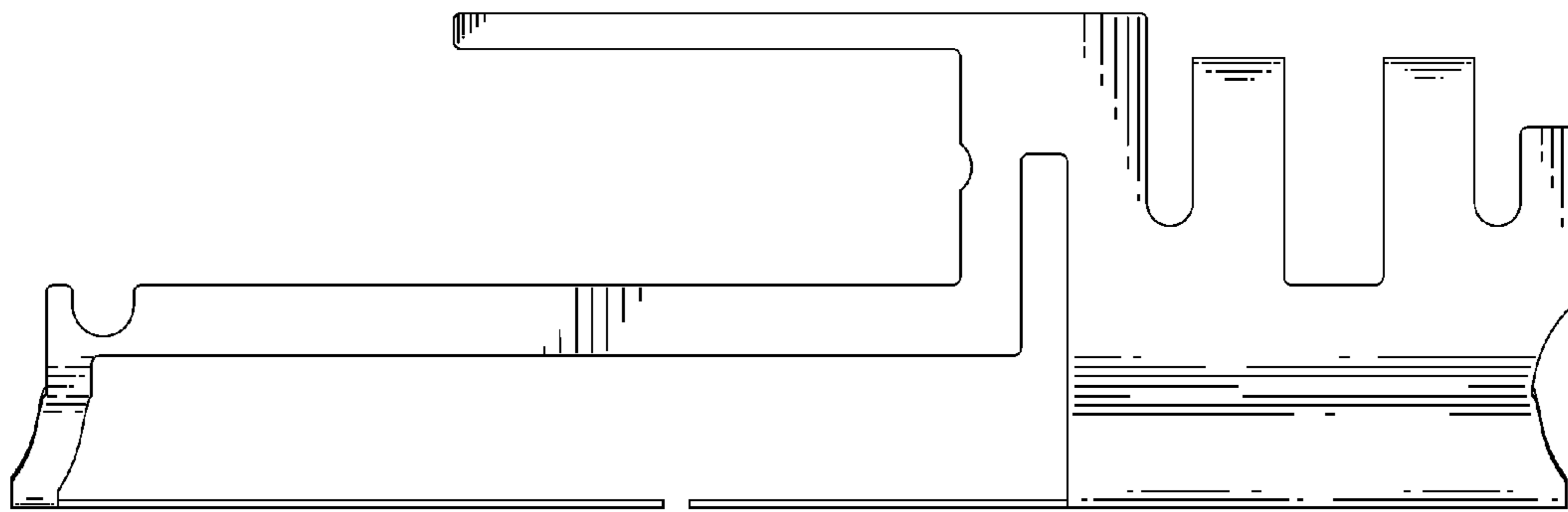


FIG. 6

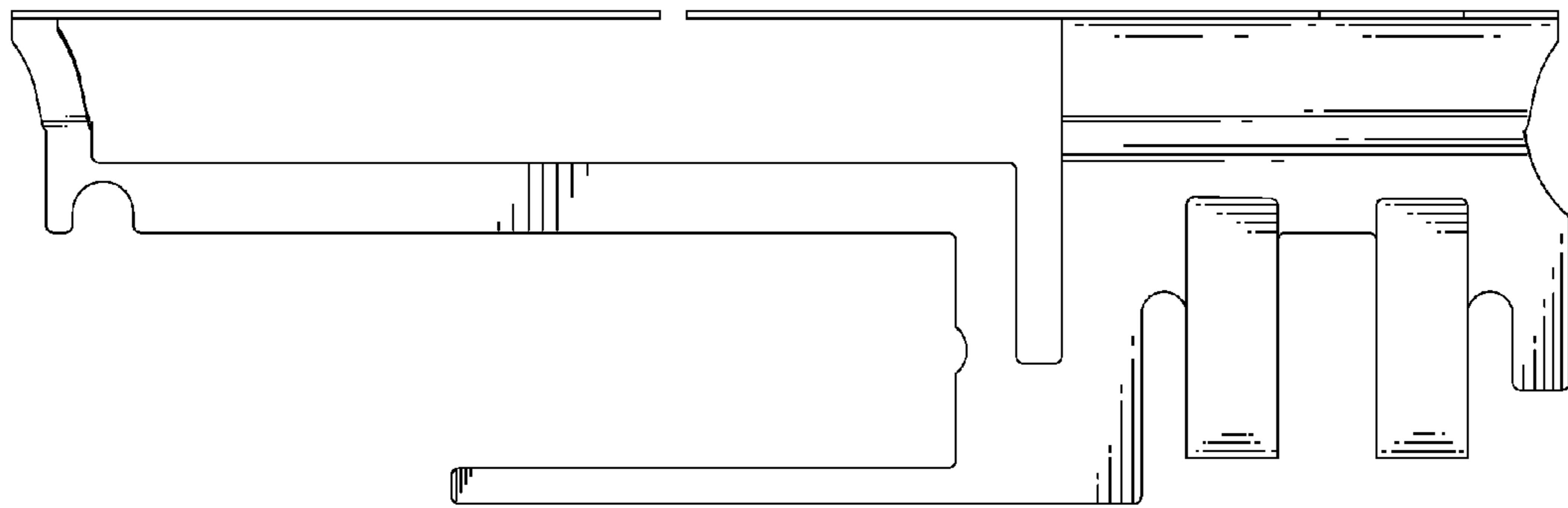


FIG. 7