



US00D659127S

(12) **United States Design Patent**
Bliss et al.

(10) **Patent No.:** **US D659,127 S**
(45) **Date of Patent:** **** May 8, 2012**

- (54) **ANTENNA**
- (75) Inventors: **Joseph Bliss**, Hinckley, OH (US); **Jack Nilsson**, Medina, OH (US)
- (73) Assignee: **MP Antenna, Ltd.**, North Ridgeville, OH (US)
- (**) Term: **14 Years**
- (21) Appl. No.: **29/384,205**
- (22) Filed: **Jan. 28, 2011**

- 4,851,859 A 7/1989 Rappaport
- 4,864,320 A 9/1989 Munson et al.
- D307,143 S 4/1990 Ashihara
- D327,691 S 7/1992 Ogawa et al.
- D333,661 S 3/1993 Elliott et al.
- 5,521,610 A 5/1996 Rodal
- 5,561,439 A 10/1996 Moilanen
- 5,568,162 A 10/1996 Samsel et al.
- 5,684,493 A 11/1997 Floyd et al.
- D402,991 S 12/1998 Mosser
- 6,023,245 A 2/2000 Gomez et al.
- D425,512 S 5/2000 Waldner
- 6,111,549 A 8/2000 Feller
- D436,101 S 1/2001 McGovern et al.
- 6,486,849 B2 11/2002 Buckles

(Continued)

Related U.S. Application Data

- (63) Continuation of application No. 29/369,889, filed on Sep. 15, 2010, now Pat. No. Des. 634,308.
- (51) **LOC (9) Cl.** **14-03**
- (52) **U.S. Cl.** **D14/230**
- (58) **Field of Classification Search** D14/230-238, D14/299; 343/700 R, 840, 841, 908, 772-775; 455/3.02, FOR. 215, 575.2; D10/114, 121
See application file for complete search history.

Primary Examiner — John Windmuller

(74) *Attorney, Agent, or Firm* — Tarolli, Sundheim, Covell & Tummino LLP

(57) **CLAIM**

The ornamental design for an antenna, as shown and described.

DESCRIPTION

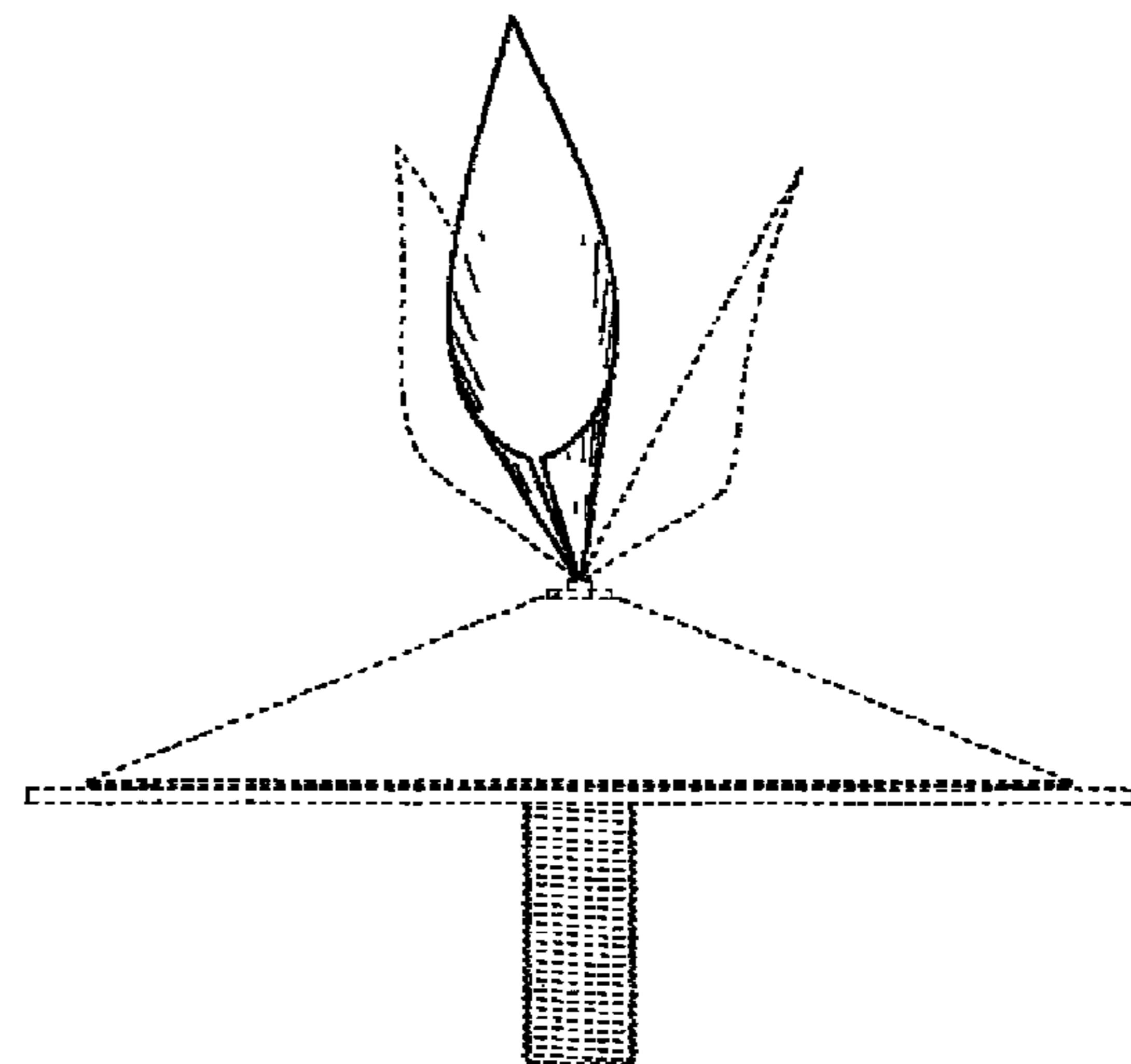
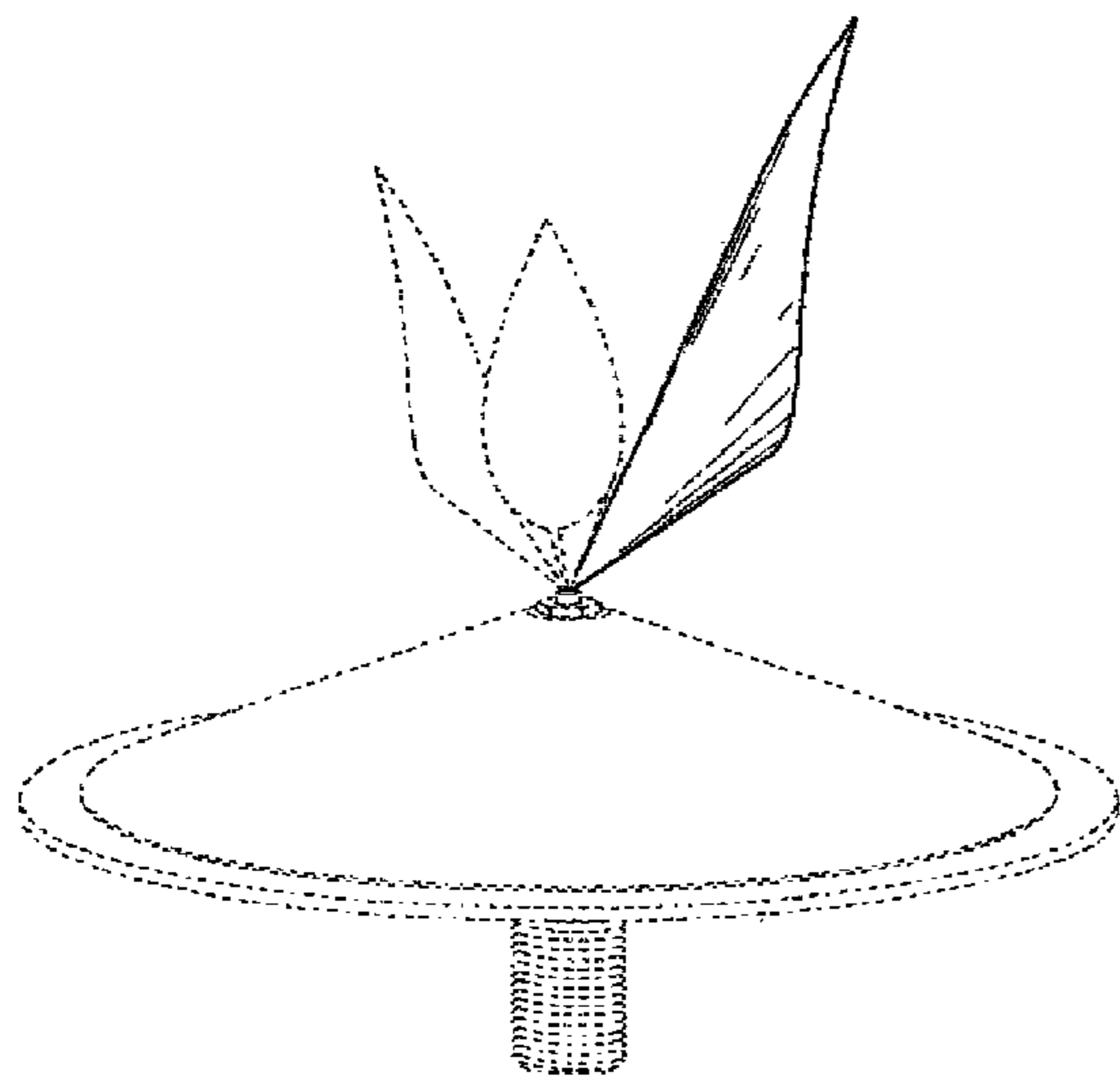
FIG. 1 is a perspective top view of an antenna;
 FIG. 2 is a perspective bottom view of the antenna;
 FIG. 3 is a first side elevation view of the antenna;
 FIG. 4 is a second side elevation view of the antenna;
 FIG. 5 is a third side elevation view of the antenna;
 FIG. 6 is a fourth side elevation view of the antenna;
 FIG. 7 is a top plan view of the antenna; and,
 FIG. 8 is a bottom plan view of the antenna.
 The broken and dashed lines shown are for environmental purposes only and form no part of the claimed design.

1 Claim, 4 Drawing Sheets

(56) **References Cited**

U.S. PATENT DOCUMENTS

- 2,509,903 A 5/1950 Brode et al.
- D161,443 S * 1/1951 Hayden D14/230
- D171,560 S * 2/1954 Rutter D14/230
- D179,951 S * 3/1957 O'Hare et al. D14/230
- D225,221 S 11/1972 Sikorski et al.
- 3,757,698 A 9/1973 Jacobson
- 3,787,865 A 1/1974 MacDowell et al.
- 3,987,456 A 10/1976 Gelin
- D245,447 S 8/1977 Brudy et al.
- D275,673 S 9/1984 Iino et al.
- D282,172 S 1/1986 Mabuchi



US D659,127 S

Page 2

U.S. PATENT DOCUMENTS

6,697,031	B2	2/2004	Jocher			
7,006,047	B2	2/2006	Marsan et al.			
7,271,775	B1 *	9/2007	Rossman et al.	343/728		
7,348,933	B2	3/2008	Nilsson			
D570,722	S	6/2008	Taylor			
7,456,799	B1	11/2008	Cohen			
					D592,088	S 5/2009 Miller
					D601,053	S 9/2009 Ferrie et al.
					D623,633	S 9/2010 Bliss et al.
					D625,299	S 10/2010 Kits van Heyningen et al.
					2001/0004000	A1 6/2001 Qian et al.
					2005/0110649	A1 5/2005 Fredericks et al.

* cited by examiner

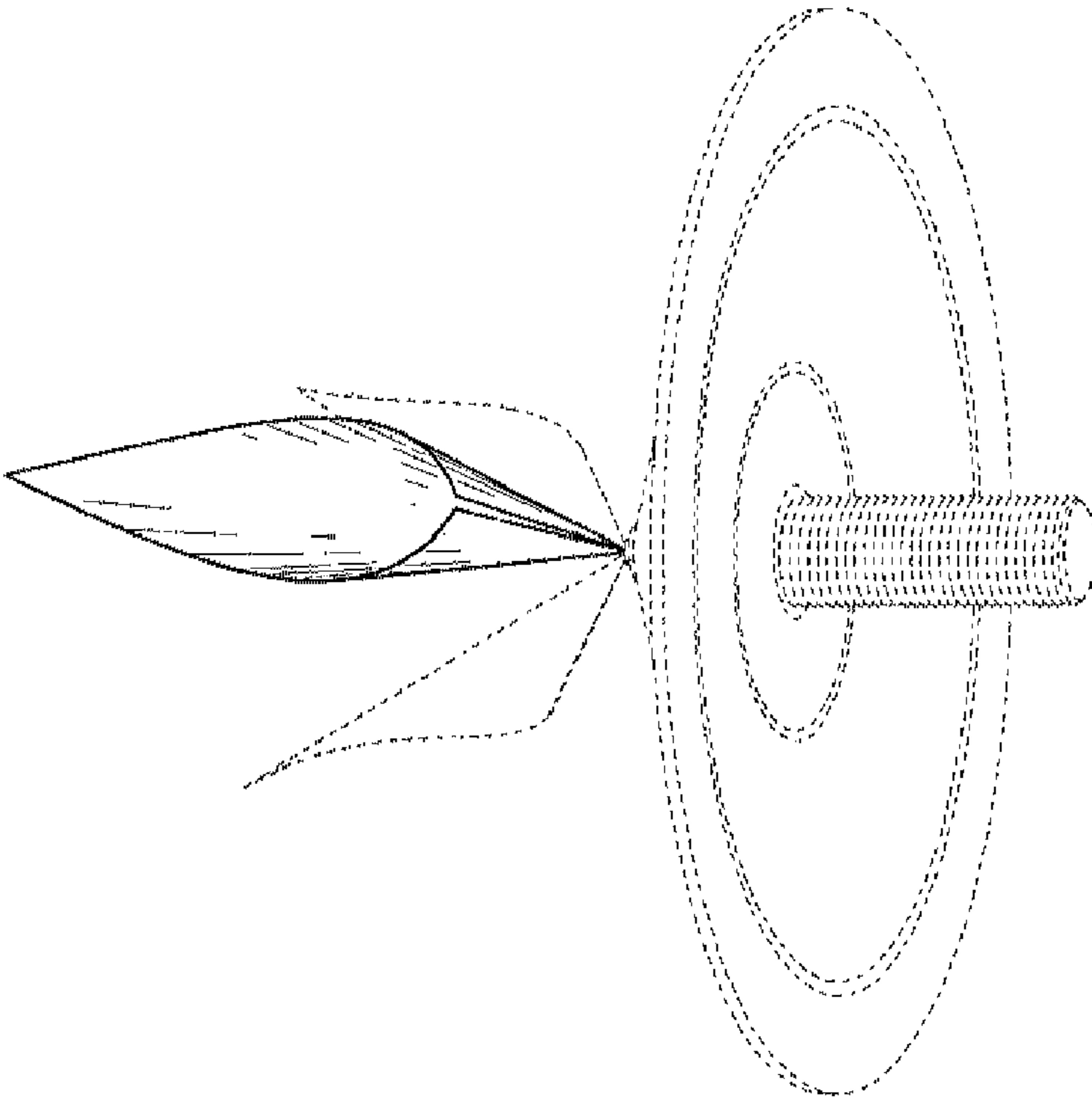


Fig. 1

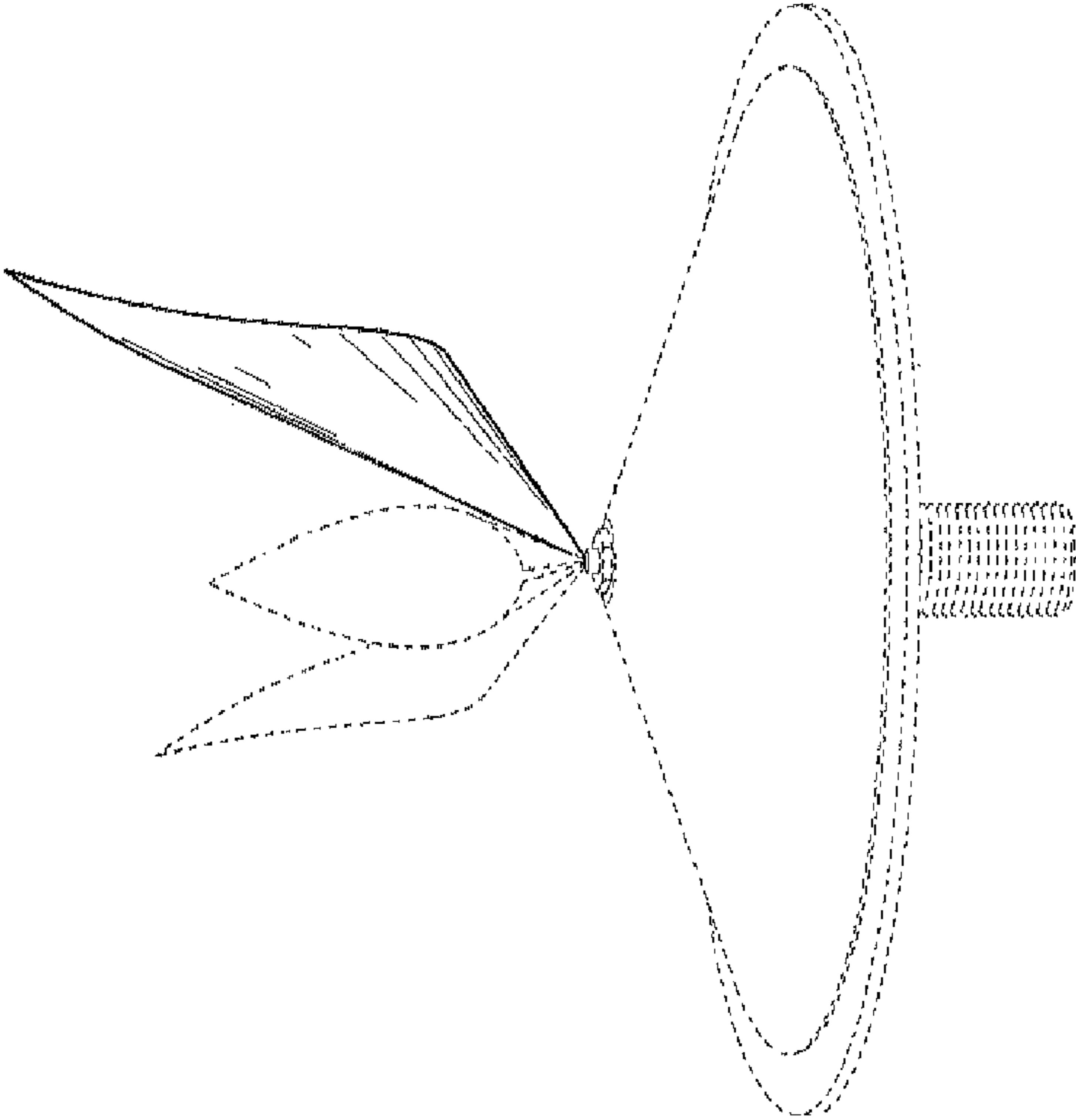


Fig. 2

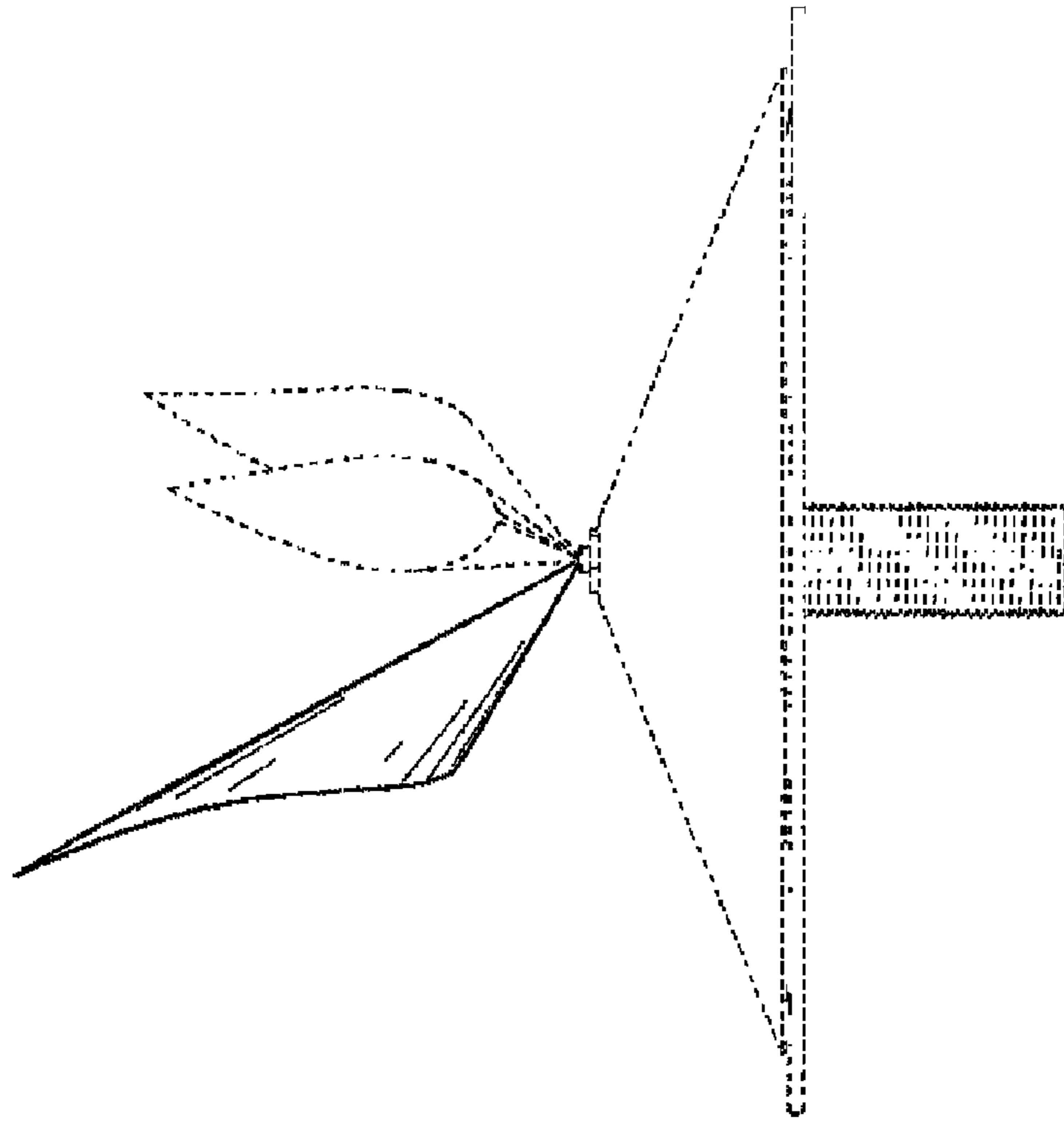


Fig. 4

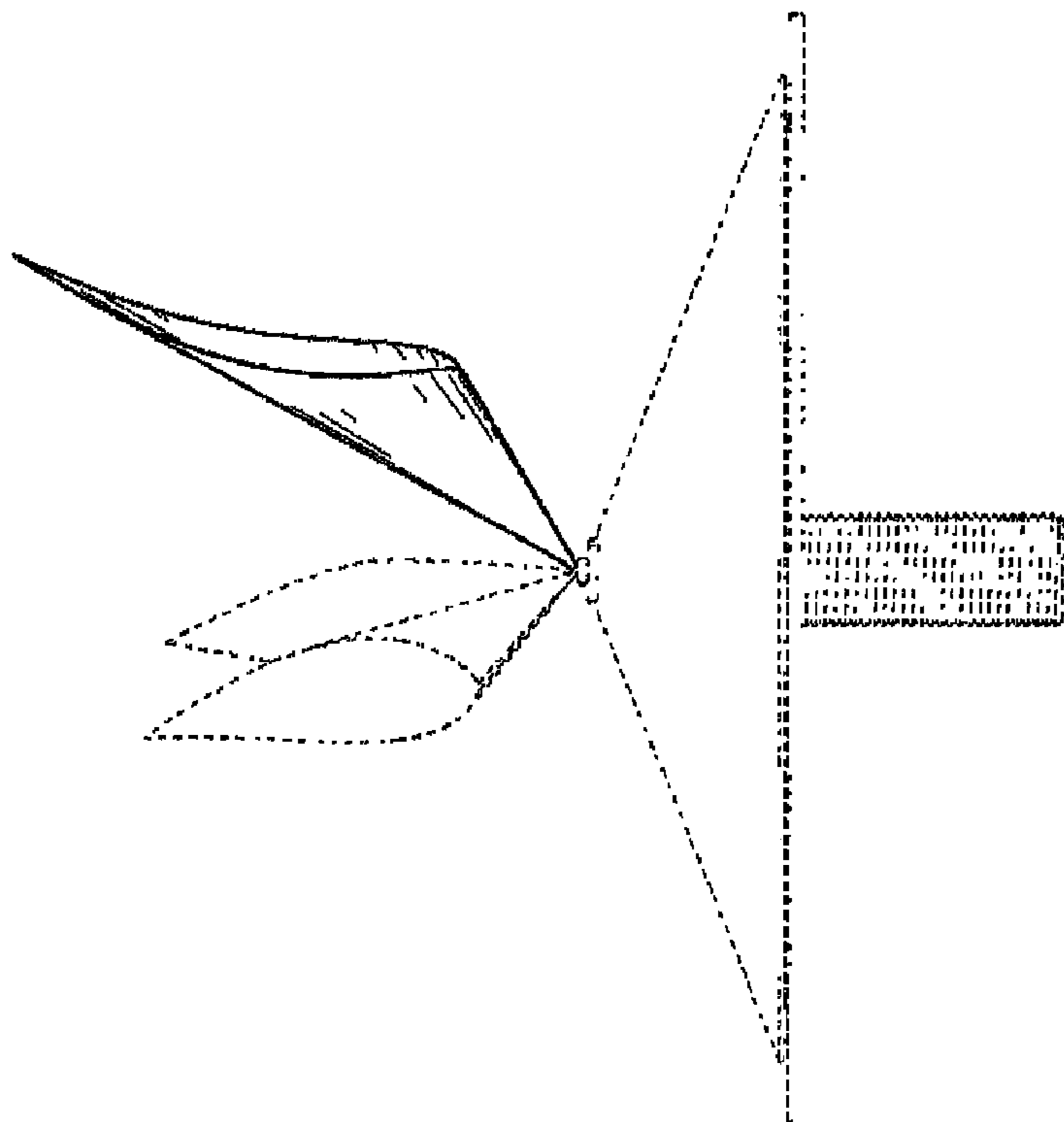


Fig. 3

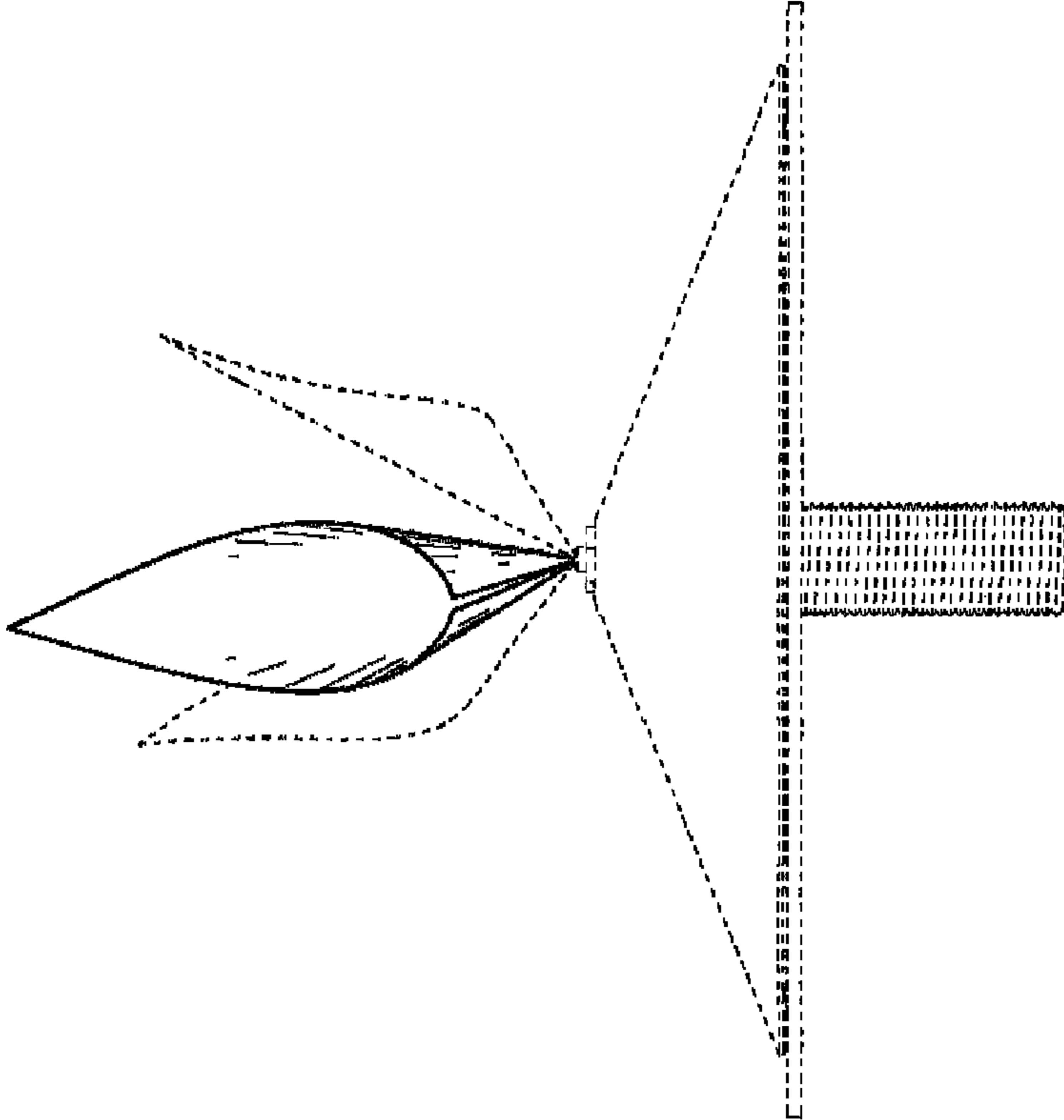


Fig. 6

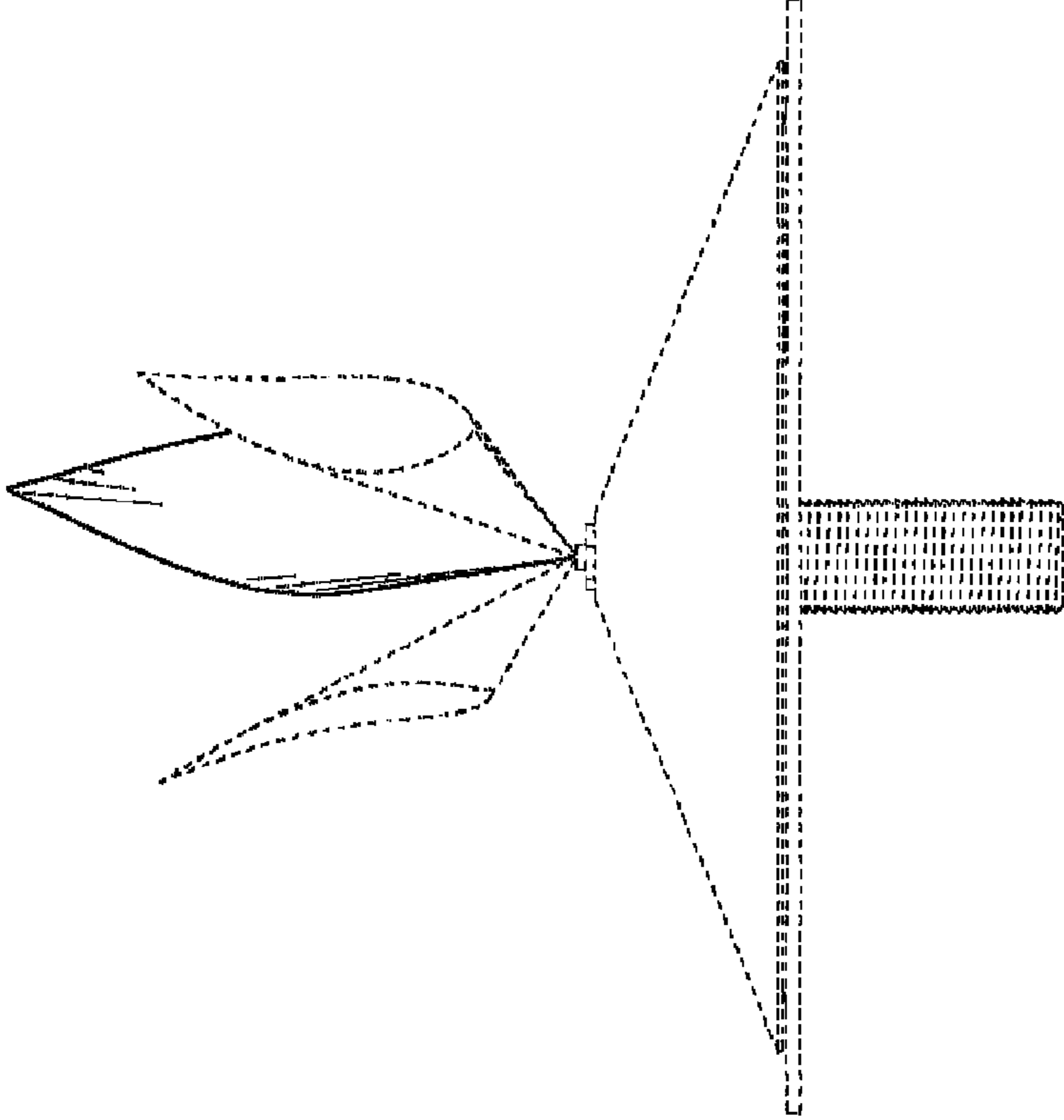


Fig. 5

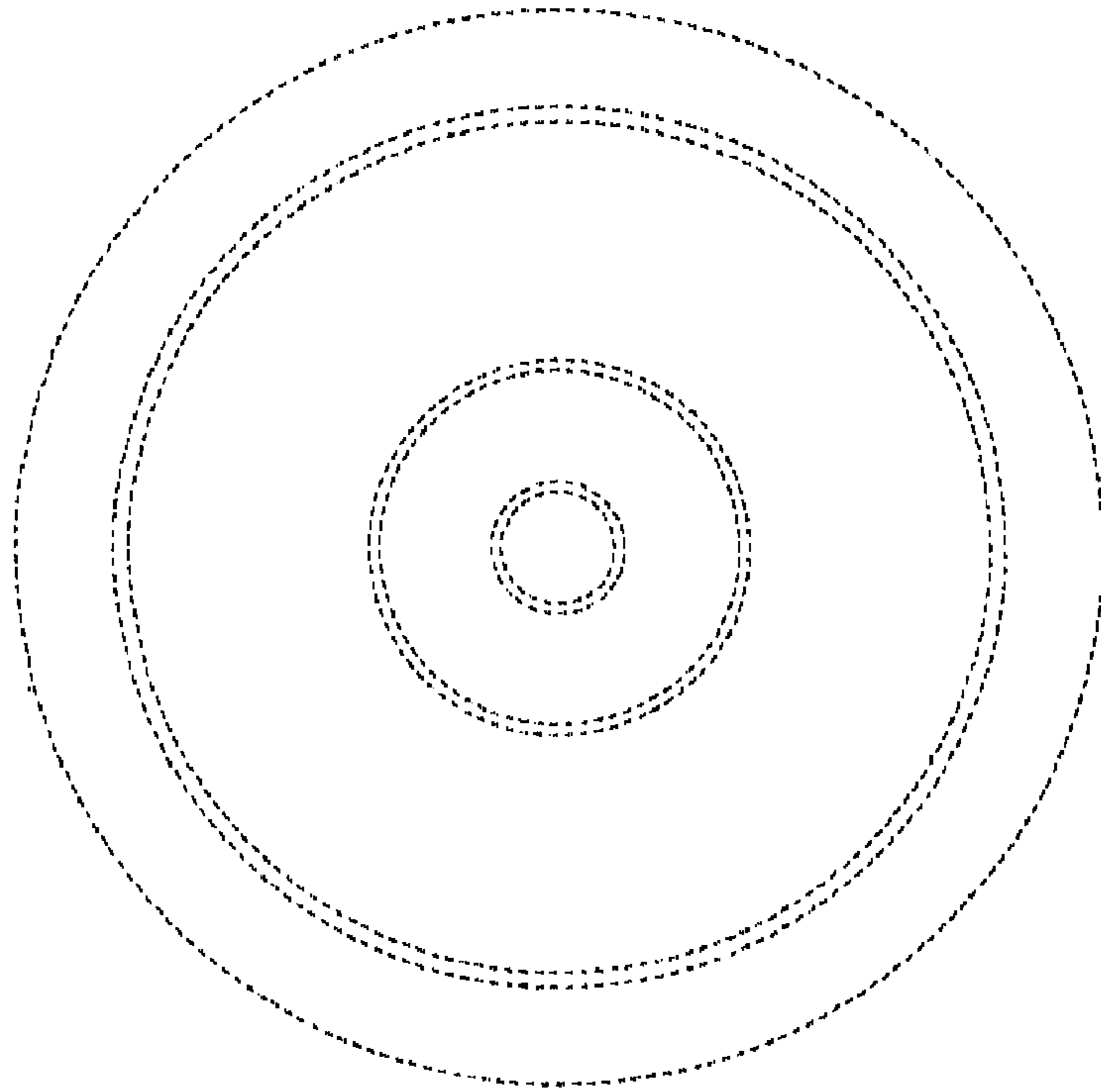


Fig. 8

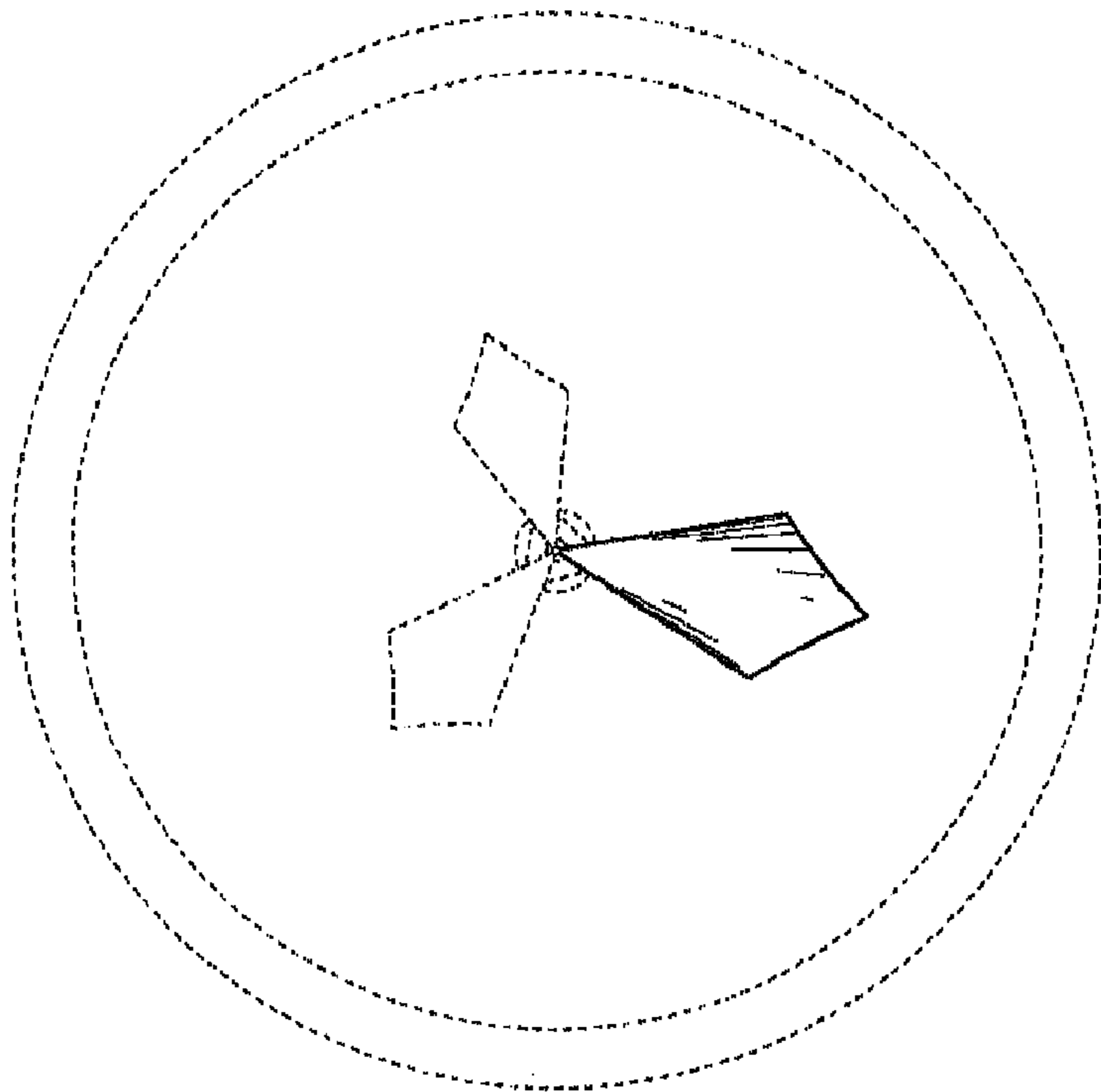


Fig. 7