



US00D659122S

(12) **United States Design Patent**
Chen

(10) **Patent No.:** **US D659,122 S**

(45) **Date of Patent:** **** May 8, 2012**

(54) **PAIR OF SPEAKERS**

(75) Inventor: **Hwang-Miaw Chen**, Taipei Hsien (TW)

(73) Assignee: **Hon Hai Precision Industry Co., Ltd.**,
Tu-Cheng, New Taipei (TW)

(**) Term: **14 Years**

(21) Appl. No.: **29/382,176**

(22) Filed: **Dec. 29, 2010**

(51) **LOC (9) Cl.** **14-01**

(52) **U.S. Cl.** **D14/215**

(58) **Field of Classification Search** D14/204,
D14/210–215, 172; 181/143–144, 147–148,
181/150–153, 157, 198–199; 381/300–303,
381/306, 332–333, 336, 345, 361–364, 386–388
See application file for complete search history.

(56) **References Cited**

U.S. PATENT DOCUMENTS

D541,790 S * 5/2007 Yoon D14/215
D621,816 S * 8/2010 Chen D14/215
2007/0029131 A1 * 2/2007 Pan et al. 181/148

* cited by examiner

Primary Examiner — Nanda Bondade

(74) *Attorney, Agent, or Firm* — Altis Law Group, Inc.

(57) **CLAIM**

The ornamental design for a pair of speakers, as shown and described.

DESCRIPTION

FIG. 1 is a perspective view of one speaker of the pair of speakers showing my new design, shown separately for clarity of illustration;

FIG. 2 is a front elevational view of the one speaker;

FIG. 3 is a rear elevational view of the one speaker;

FIG. 4 is a left side elevational view of the one speaker;

FIG. 5 is a right side elevational view of the one speaker;

FIG. 6 is a top plan view of the one speaker;

FIG. 7 is a bottom plan view of the one speaker;

FIG. 8 is a cross-sectional view of the one speaker, corresponding to 8-8 of FIG. 2;

FIG. 9 is a perspective view of the other speaker of the pair of speakers showing my new design, shown separately for clarity of illustration;

FIG. 10 is a front elevational view of the other speaker;

FIG. 11 is a rear elevational view of the other speaker;

FIG. 12 is a left side elevational view of the other speaker;

FIG. 13 is a right side elevational view of the other speaker;

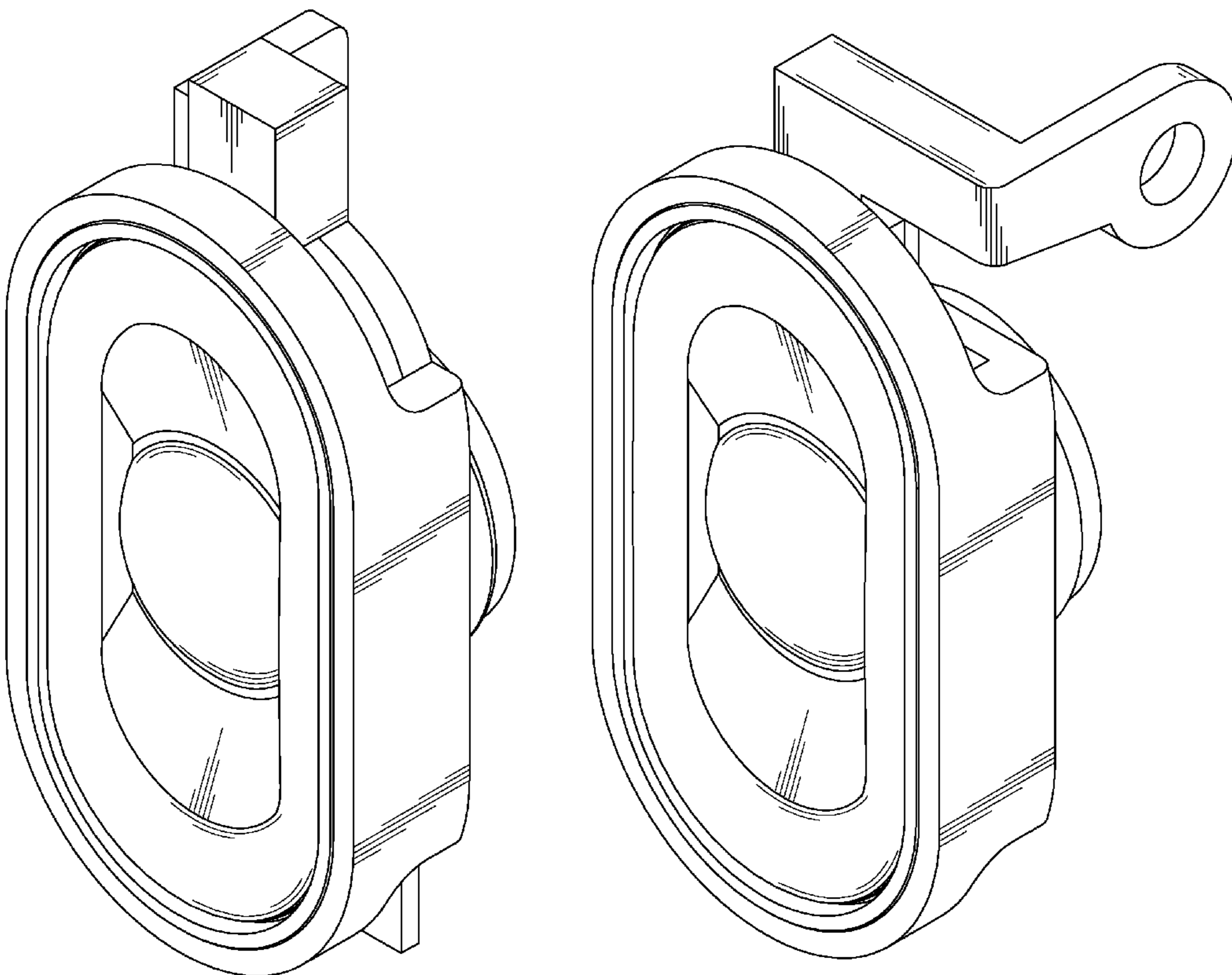
FIG. 14 is a top plan view of the other speaker;

FIG. 15 is a bottom plan view of the other speaker; and,

FIG. 16 is a cross-sectional view of the other speaker, corresponding to 16-16 of FIG. 10.

The broken lines shown in the drawing disclosure are for illustrative purposes only and form no part of the claimed design.

1 Claim, 16 Drawing Sheets



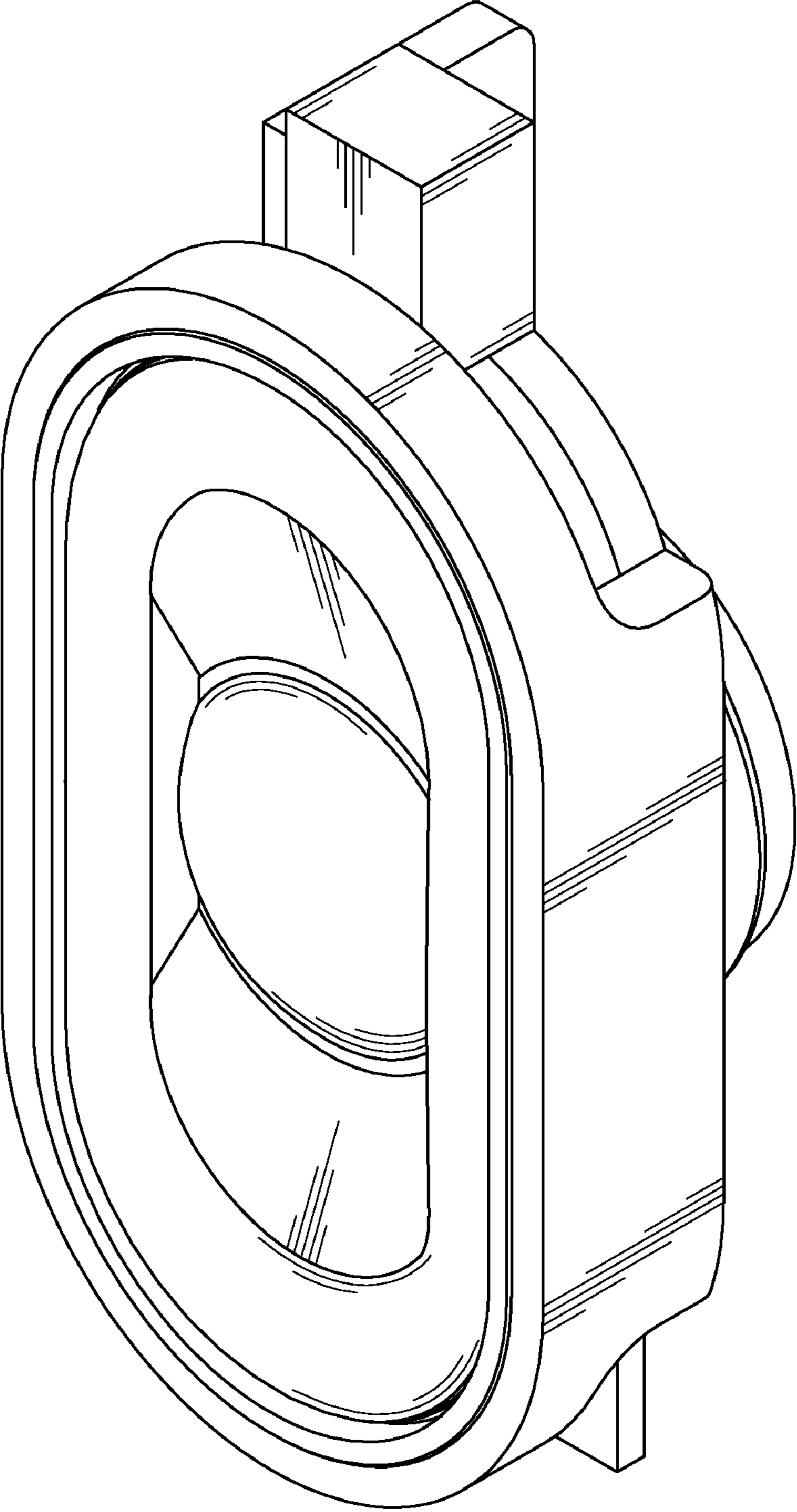


FIG. 1

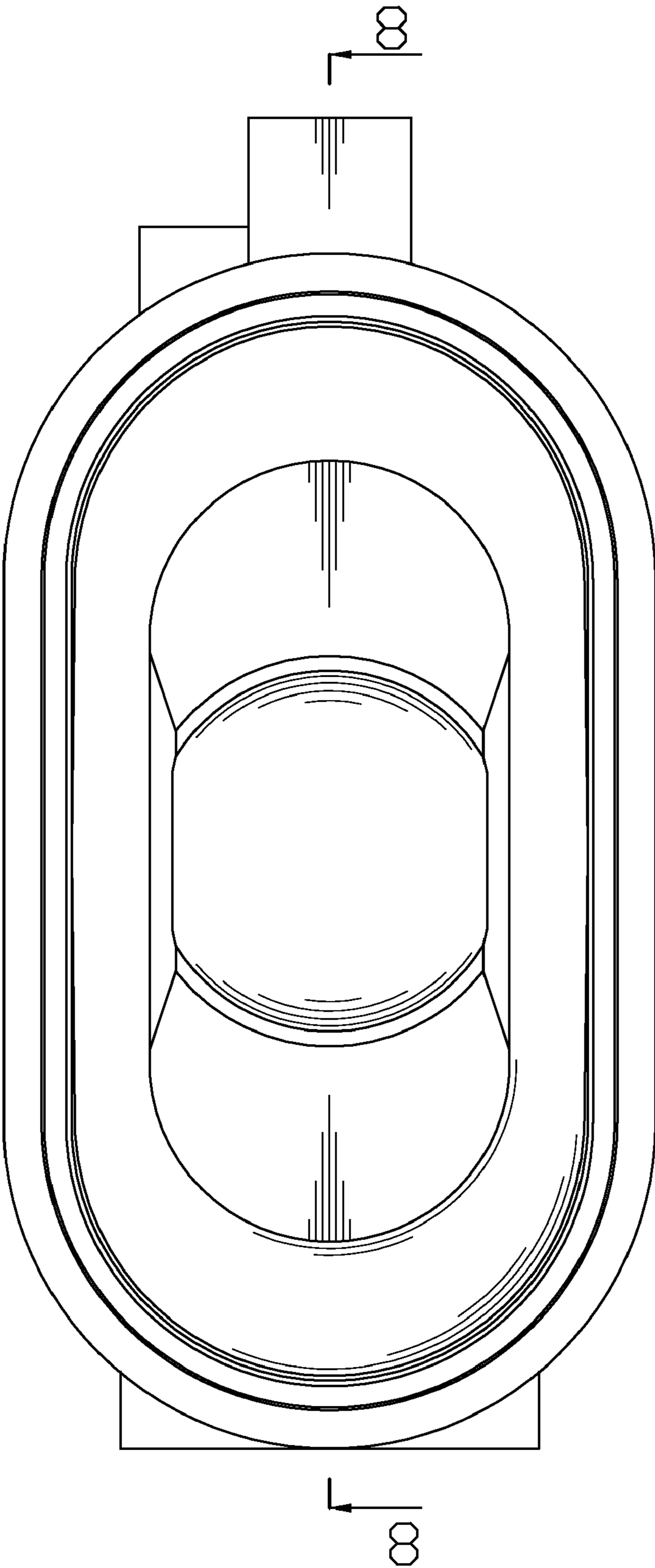


FIG. 2

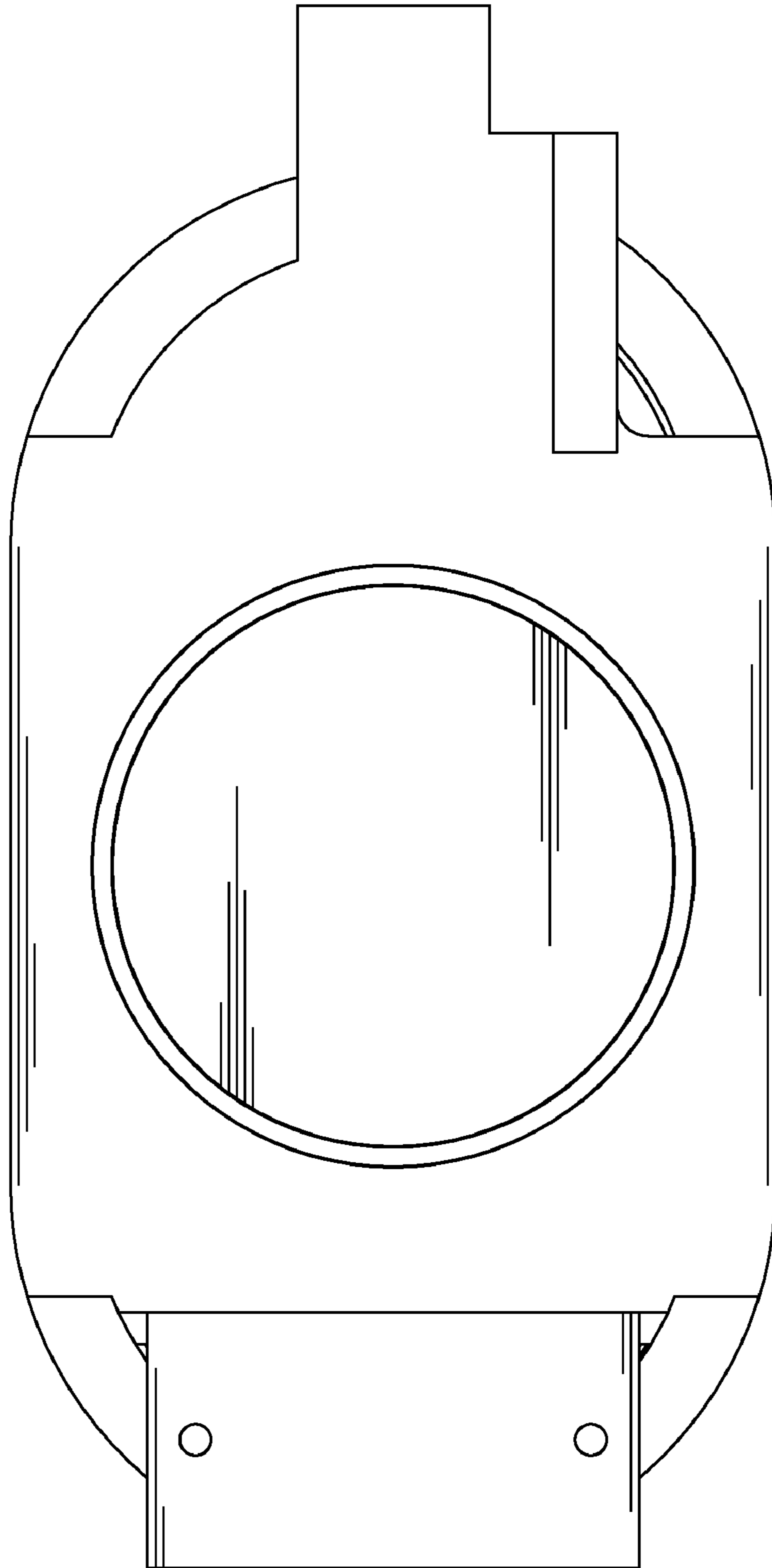


FIG. 3

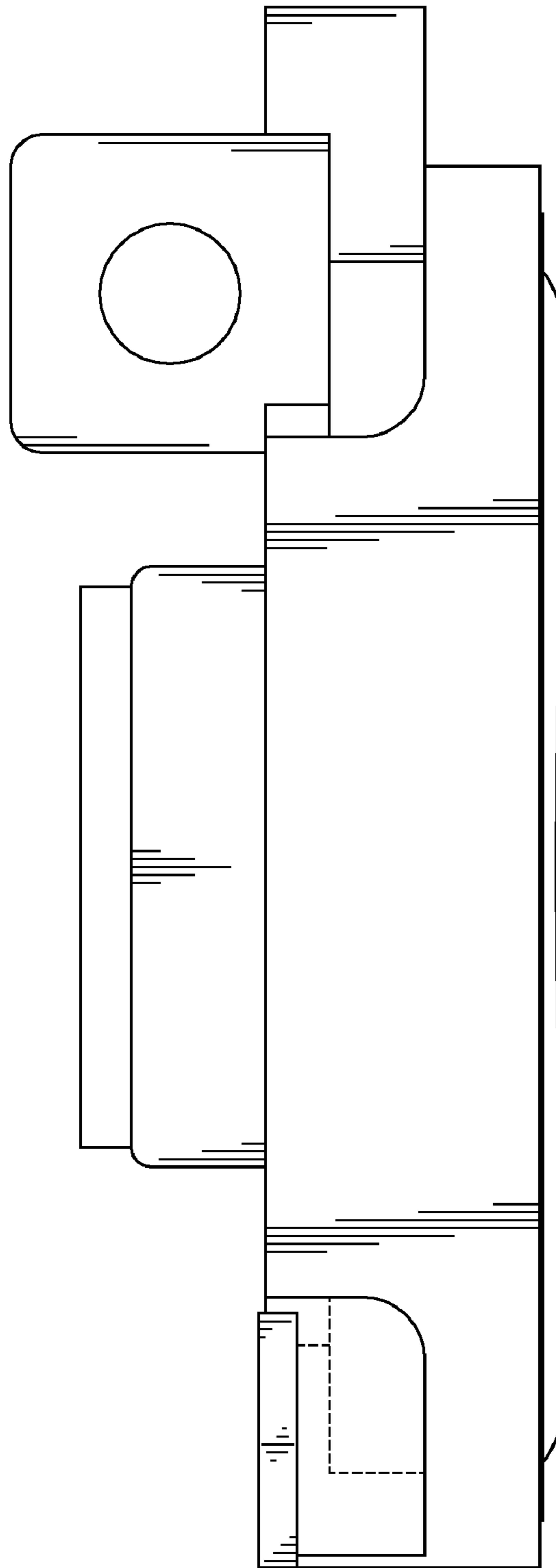


FIG. 4

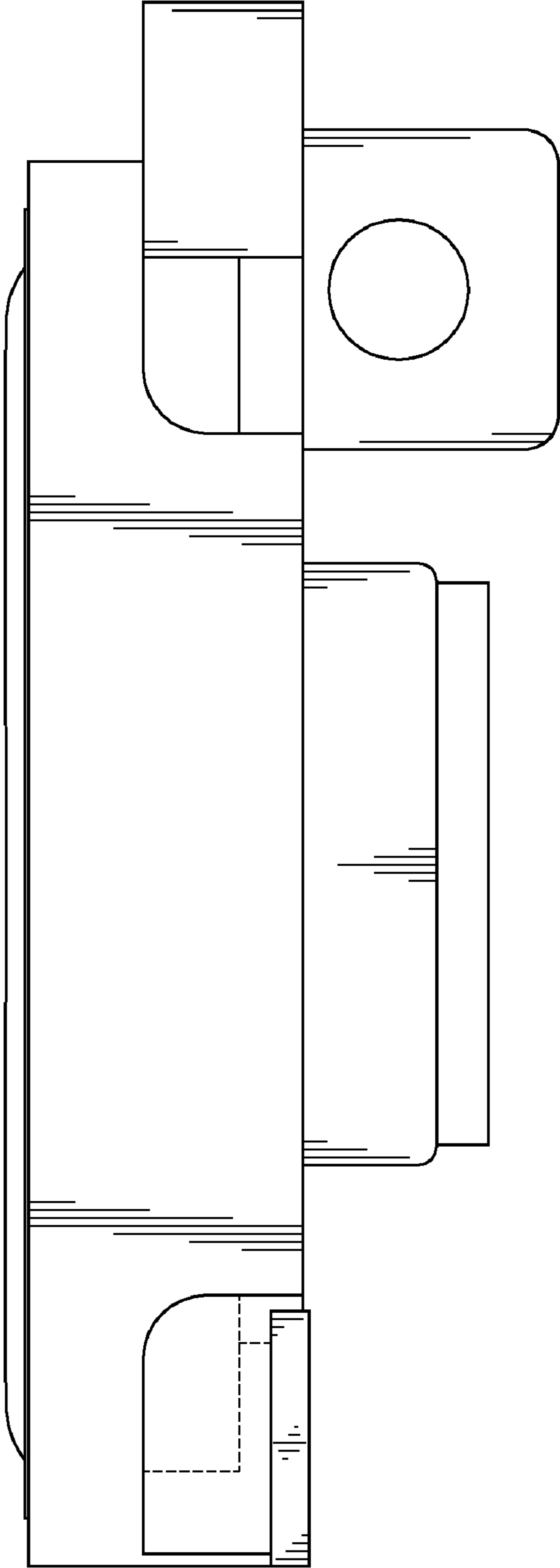


FIG. 5

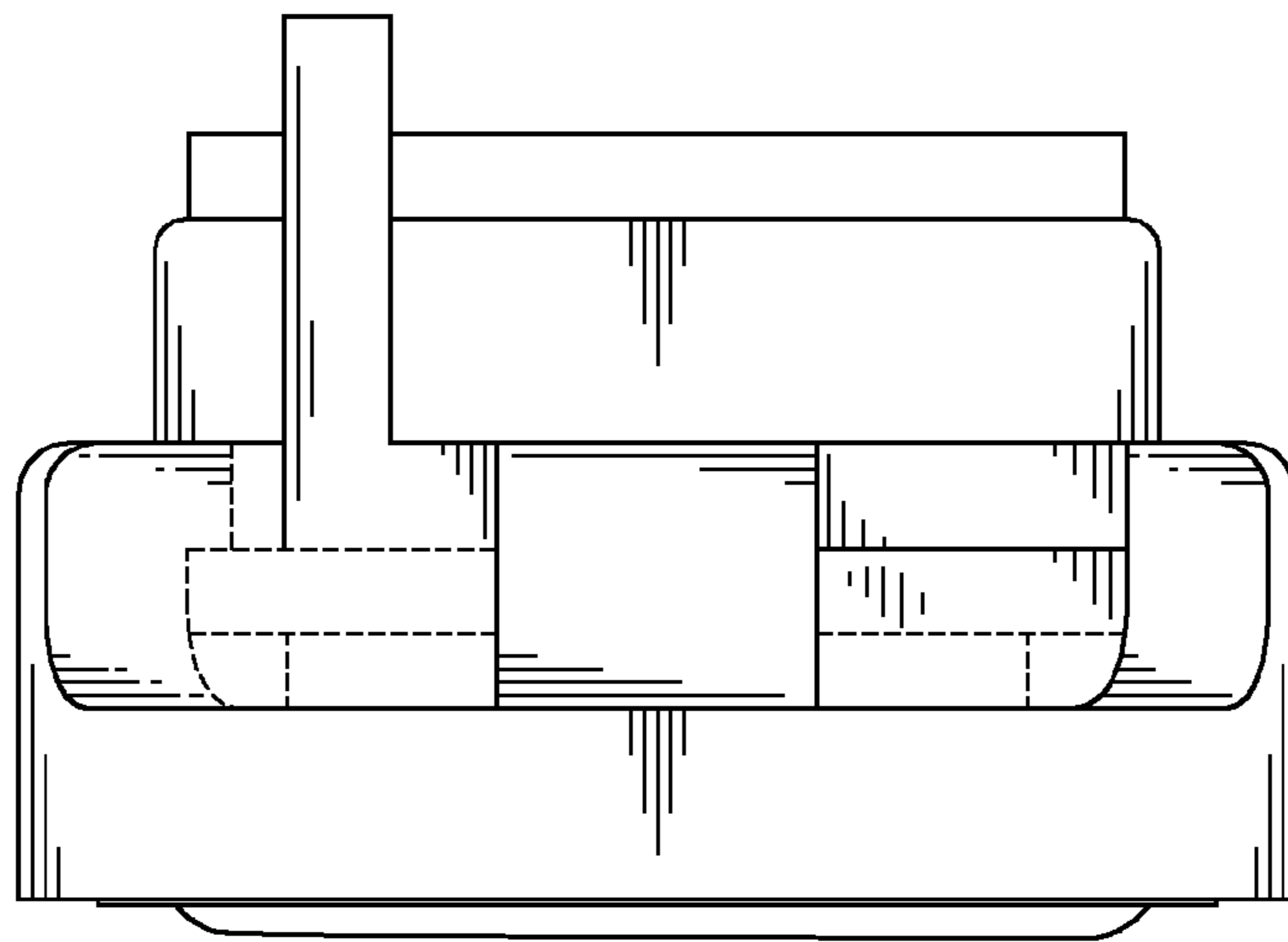


FIG. 6

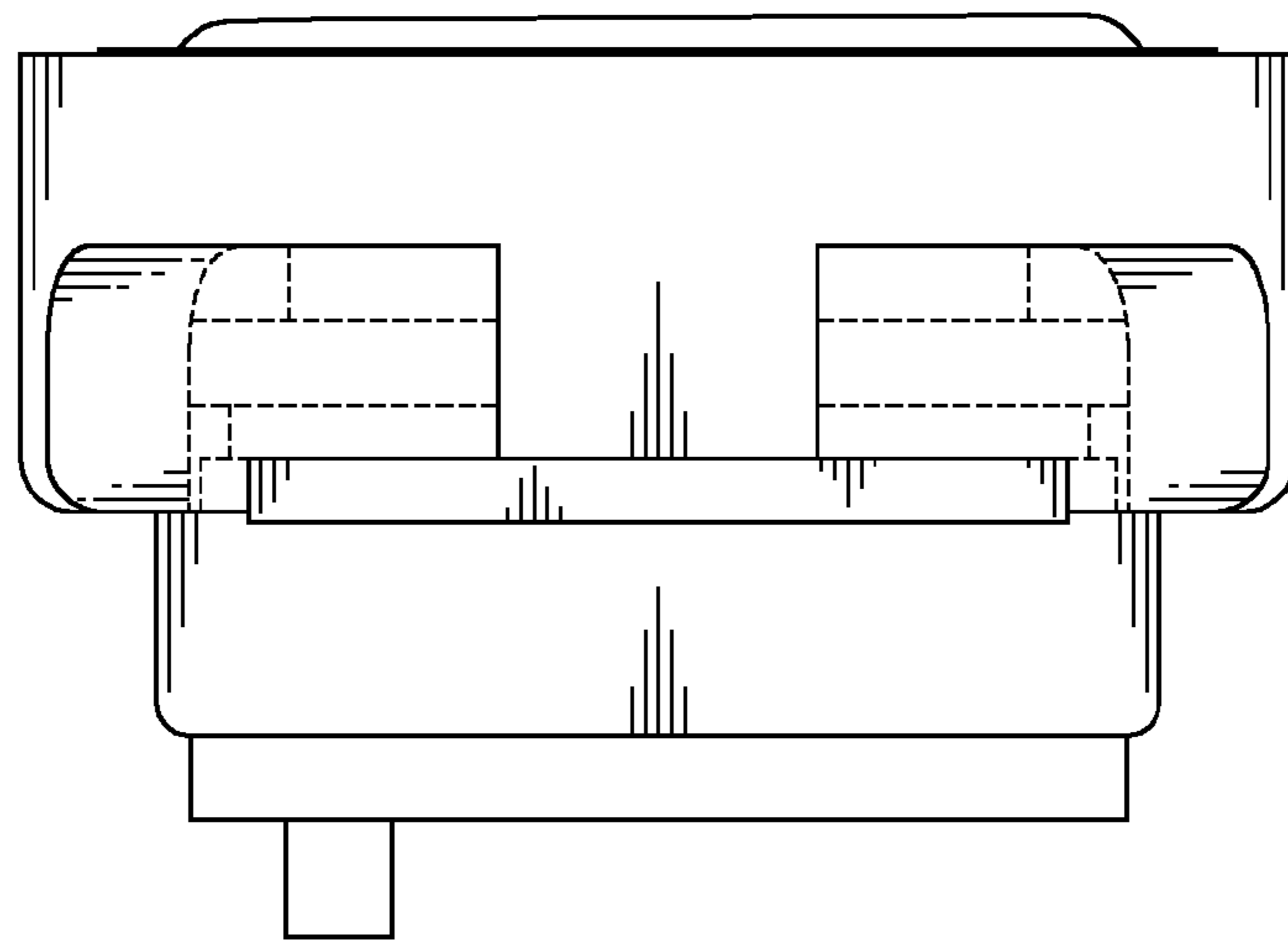


FIG. 7

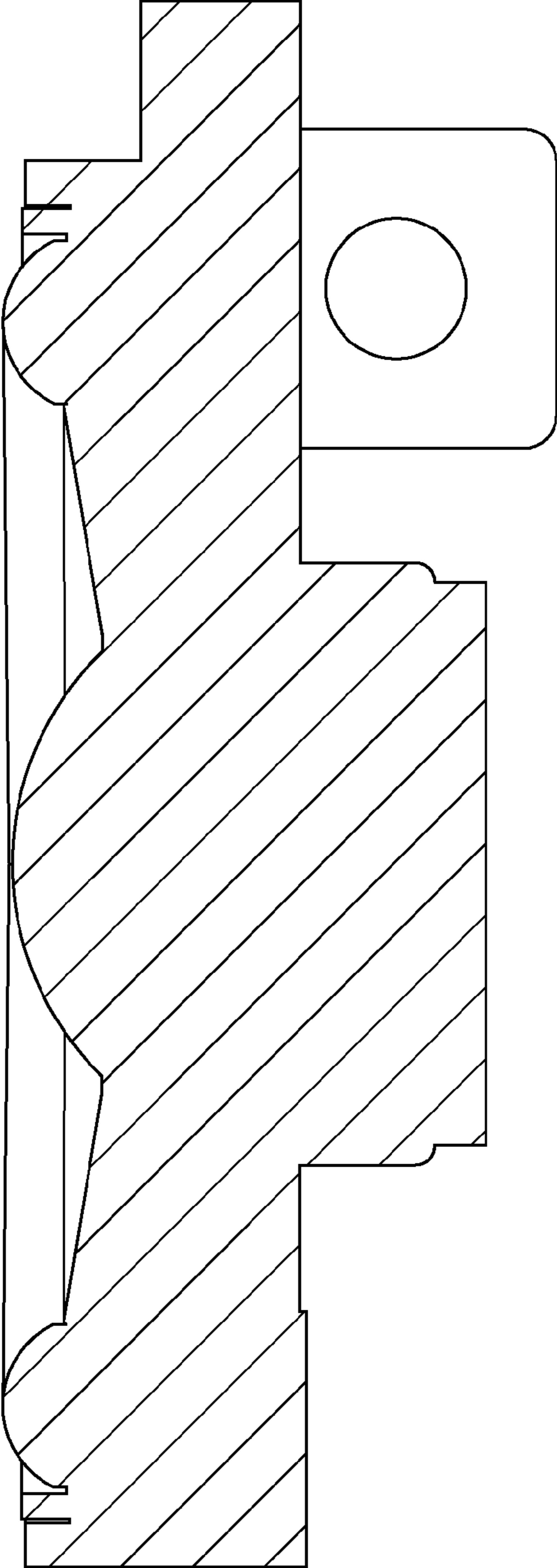


FIG. 8

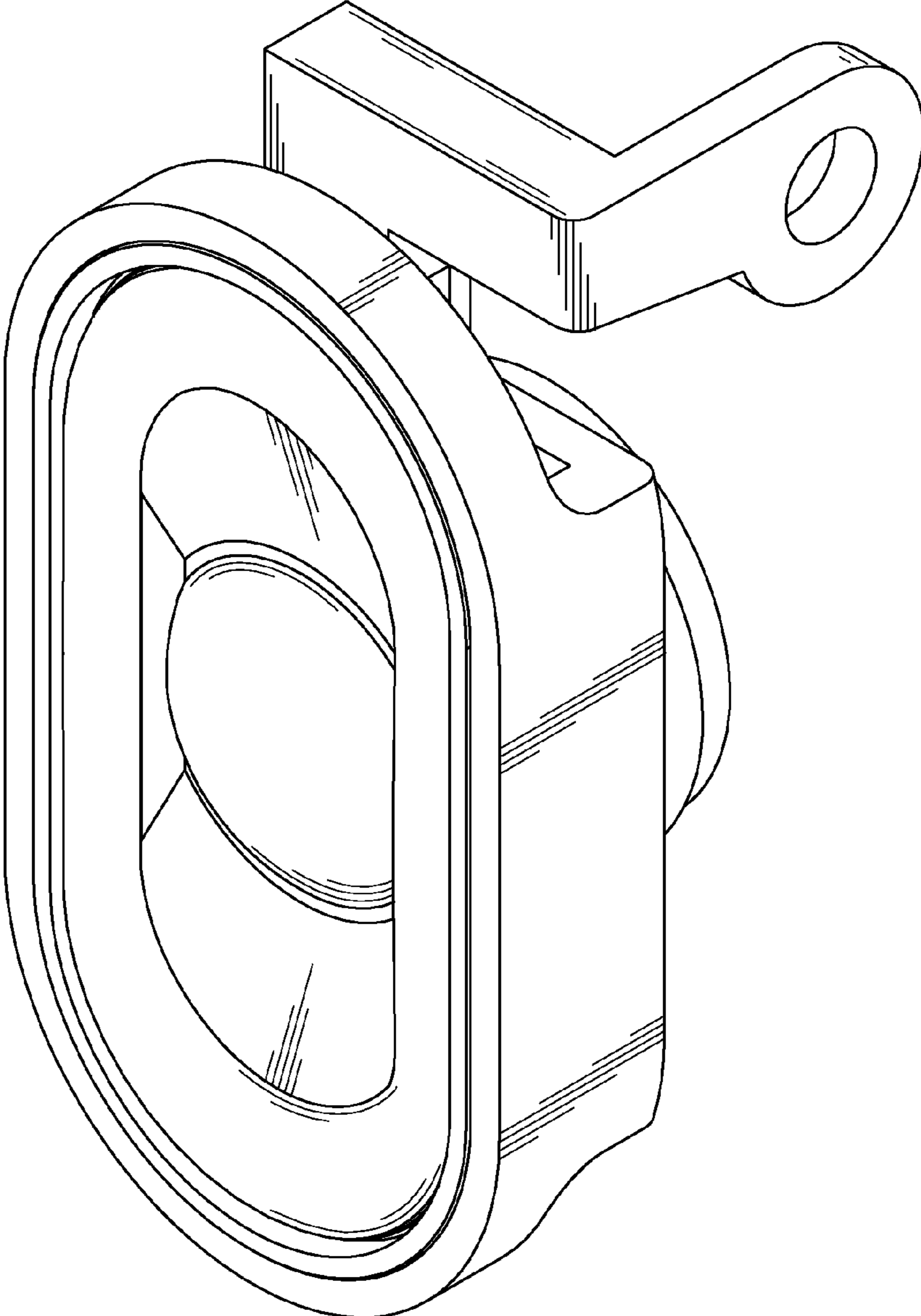


FIG. 9

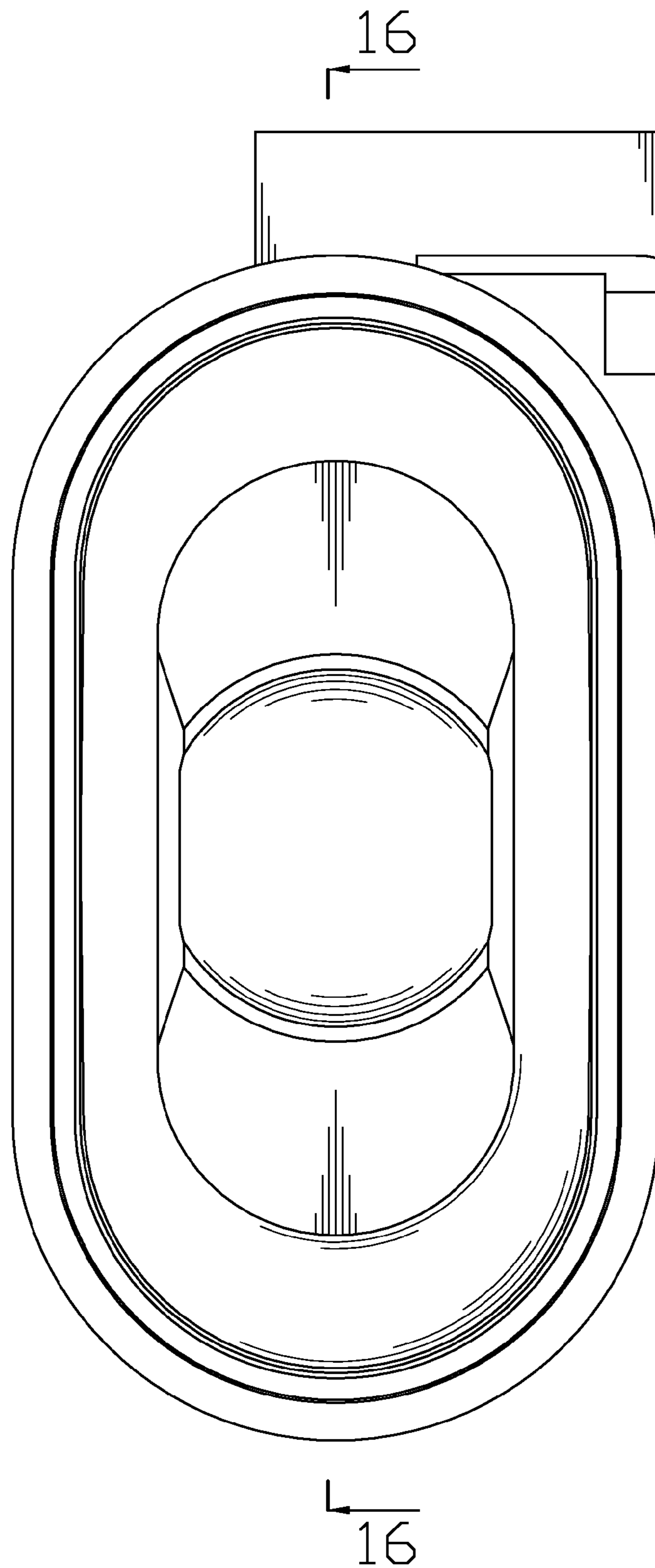


FIG. 10

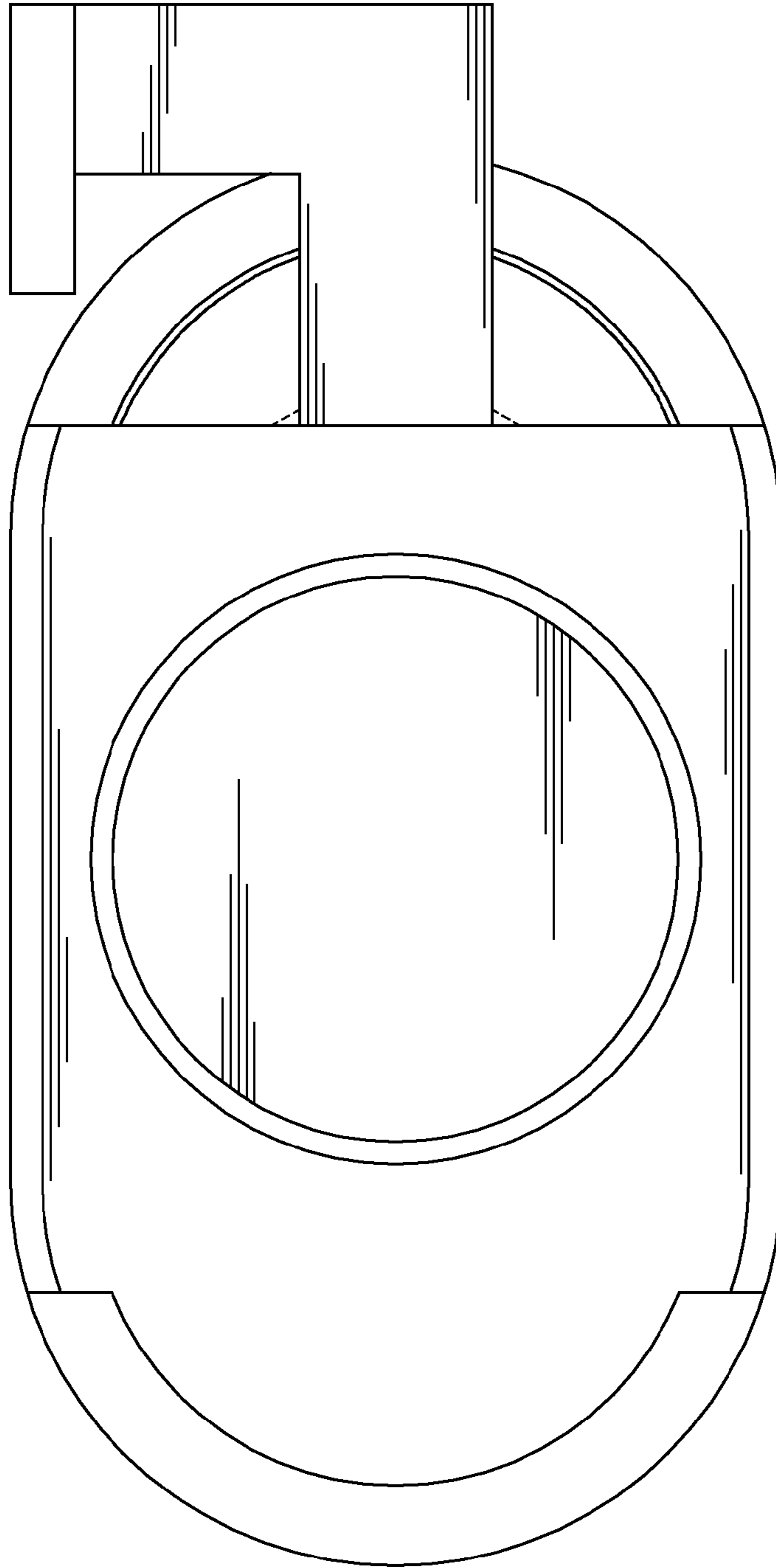


FIG. 11

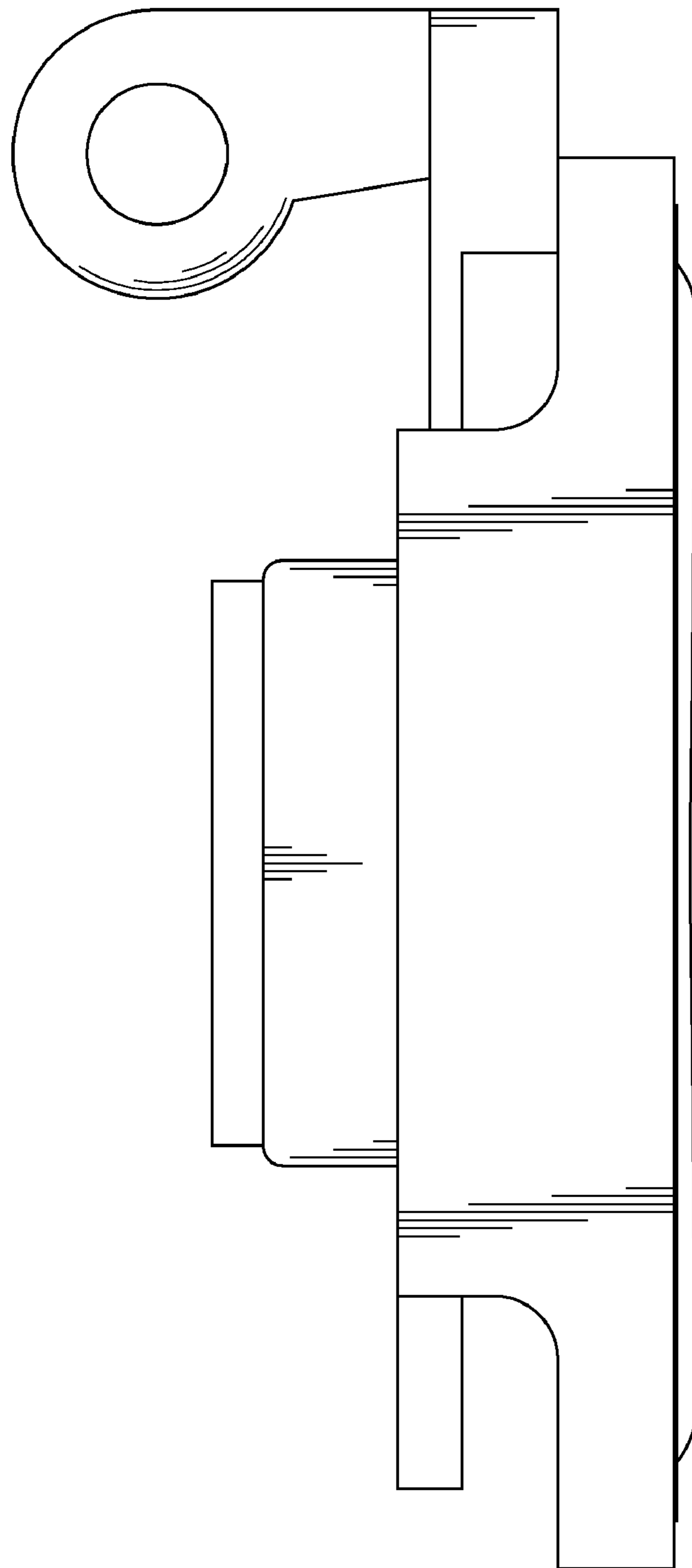


FIG. 12

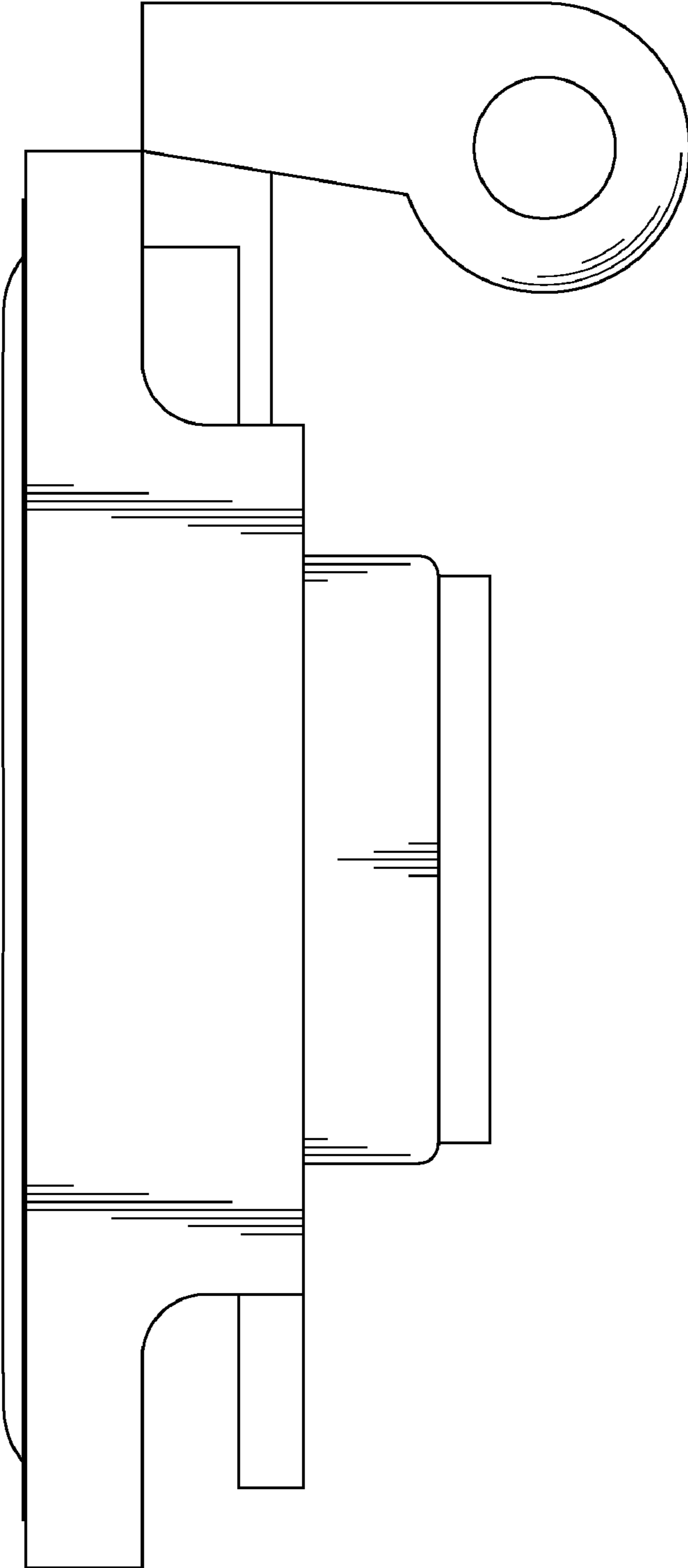


FIG. 13

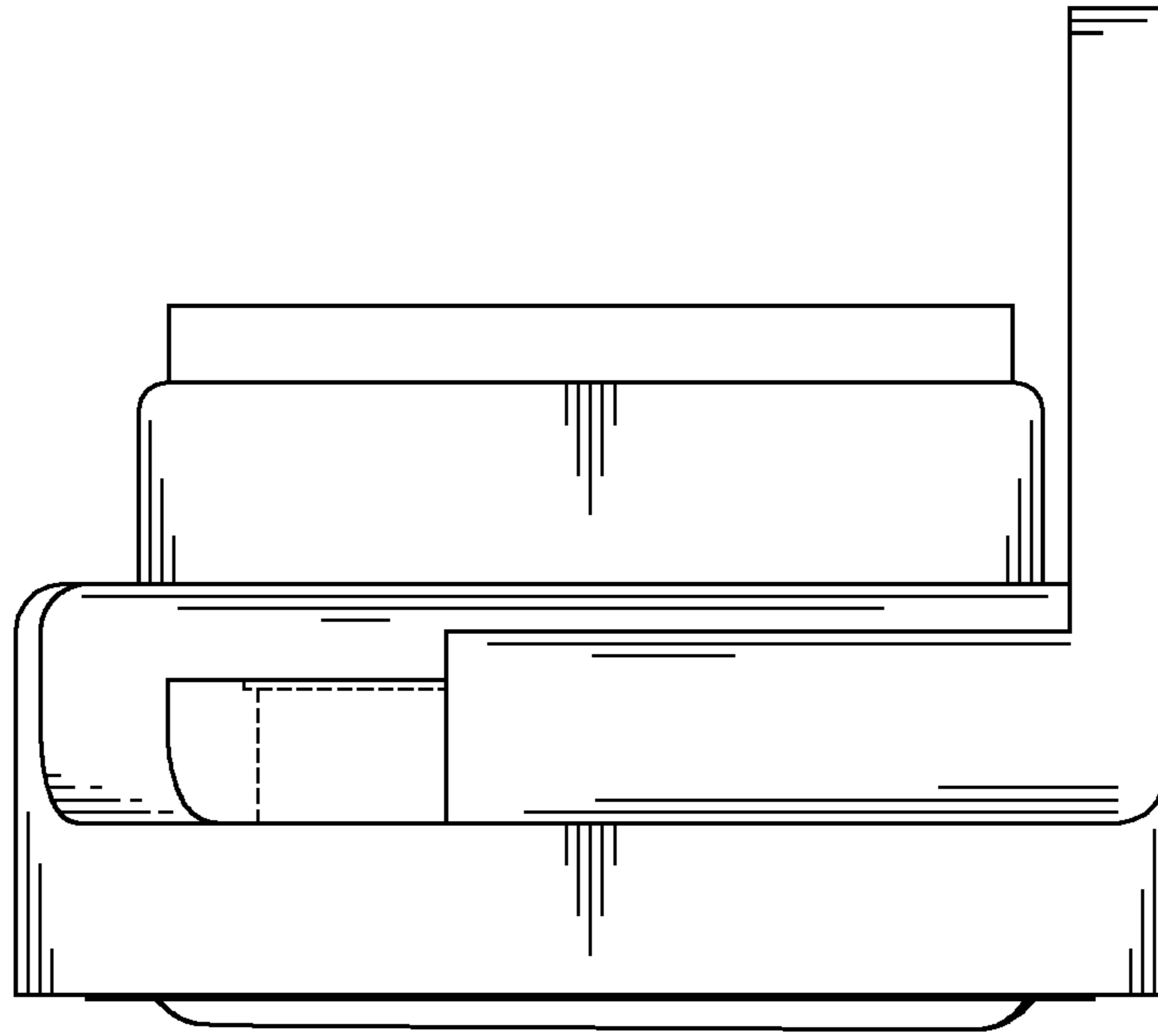


FIG. 14

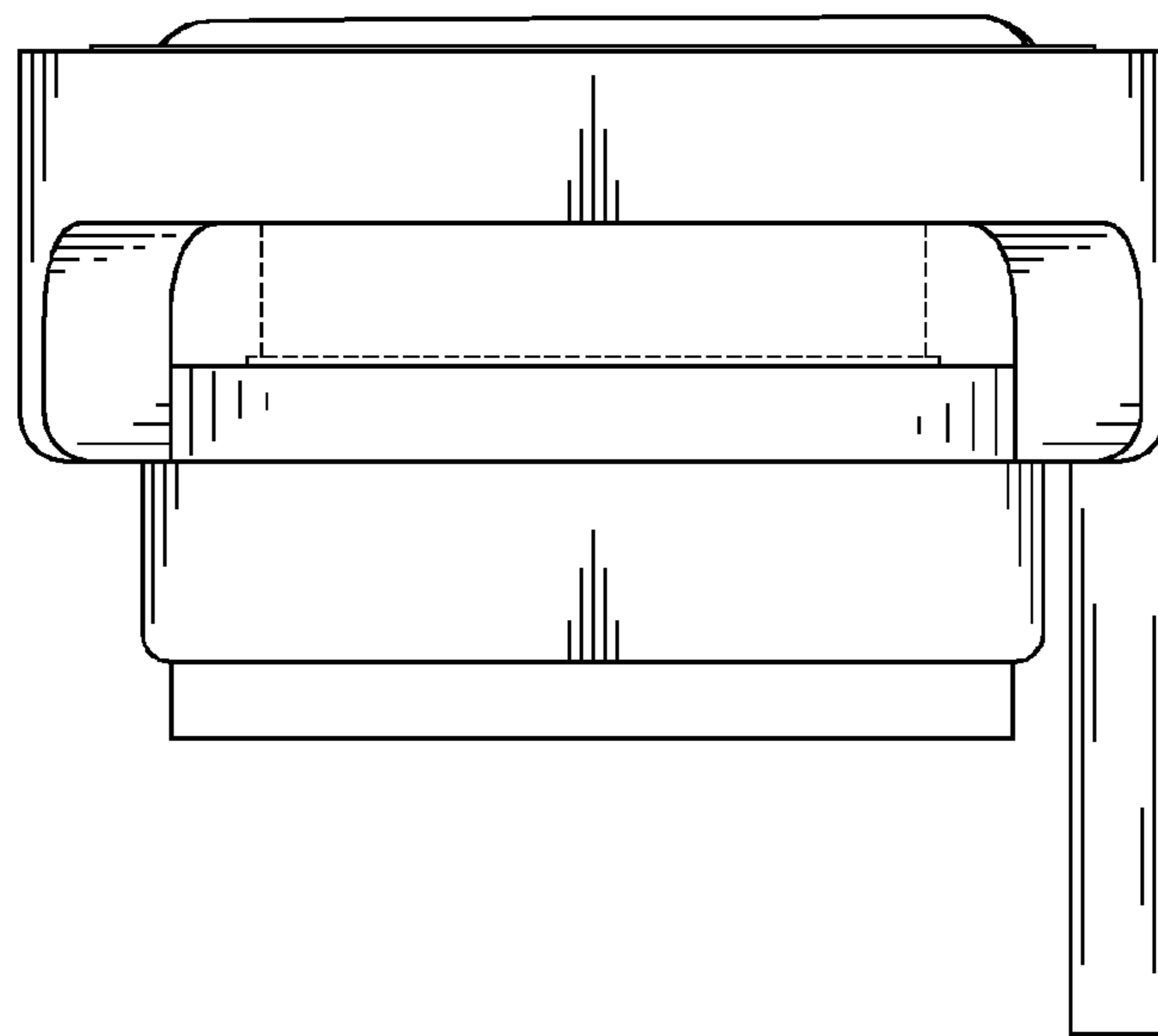


FIG. 15

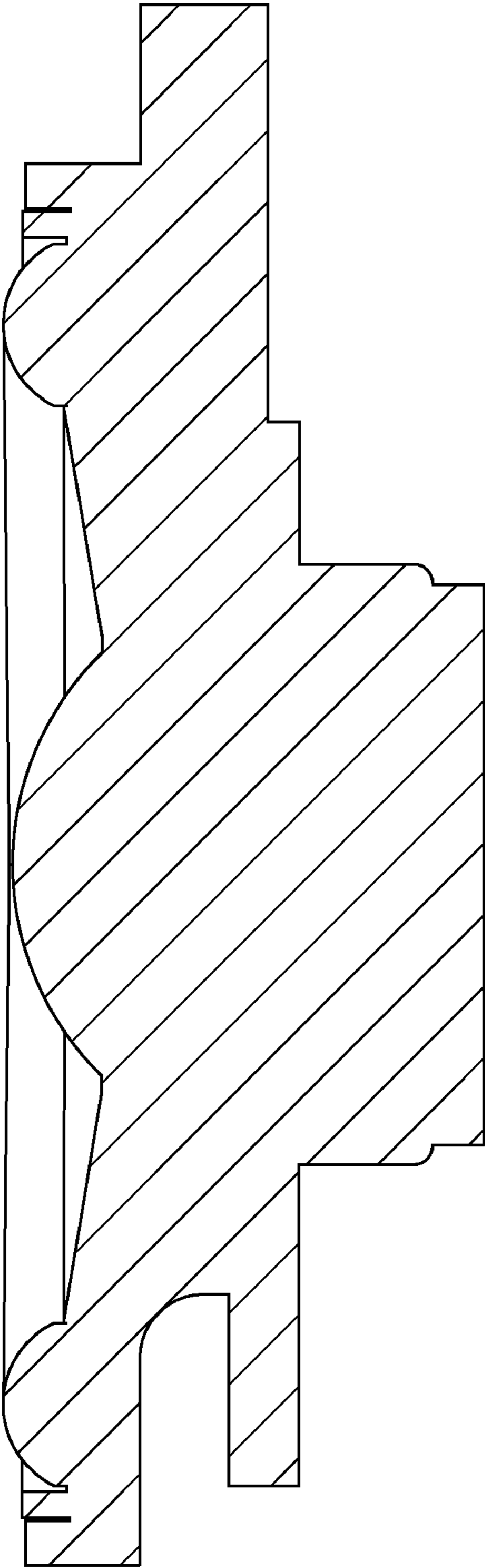


FIG. 16