



US00D659118S

(12) **United States Design Patent**  
**Watters et al.**

(10) **Patent No.:** **US D659,118 S**  
(45) **Date of Patent:** **\*\* May 8, 2012**

(54) **HEADSET**

(75) Inventors: **Robert D. Watters**, Ottawa (CA); **Luc Boucher**, Ottawa (CA)

(73) Assignee: **Thales Canada Inc.**, Ottawa, ON (CA)

(\*\*) Term: **14 Years**

(21) Appl. No.: **29/381,869**

(22) Filed: **Dec. 23, 2010**

(30) **Foreign Application Priority Data**

Jun. 29, 2010 (CA) ..... 136073

(51) **LOC (9) Cl.** ..... **14-01**

(52) **U.S. Cl.** ..... **D14/206**

(58) **Field of Classification Search** ..... D14/205,  
D14/206, 223, 192; 181/129, 130, 135; 379/430,  
379/431; 381/380, 381; 455/90.3, 575.2;  
128/866

See application file for complete search history.

(56) **References Cited**

**U.S. PATENT DOCUMENTS**

4,754,484 A \* 6/1988 Larkin et al. .... 379/430  
5,313,663 A \* 5/1994 Norris ..... 455/351

D451,493 S \* 12/2001 Ng ..... D14/192  
D470,833 S \* 2/2003 Rath et al. .... D14/205  
D482,022 S \* 11/2003 Nakano ..... D14/223  
6,754,361 B1 \* 6/2004 Hall et al. .... 381/370  
7,079,664 B2 \* 7/2006 Nassimi ..... 381/380  
D567,216 S \* 4/2008 Densho ..... D14/205  
D584,283 S \* 1/2009 Soetejo et al. .... D14/205  
D584,720 S \* 1/2009 Houy ..... D14/223  
D602,002 S \* 10/2009 Asai ..... D14/206  
D606,050 S \* 12/2009 Nousiainen ..... D14/223  
D617,779 S \* 6/2010 Nylen ..... D14/223

\* cited by examiner

*Primary Examiner* — Paula Greene

(74) *Attorney, Agent, or Firm* — Marks & Clerk; Richard J. Mitchell

(57) **CLAIM**

The ornamental design for a headset, as shown and described.

**DESCRIPTION**

FIG. 1 is a front perspective view of a headset showing our new design;

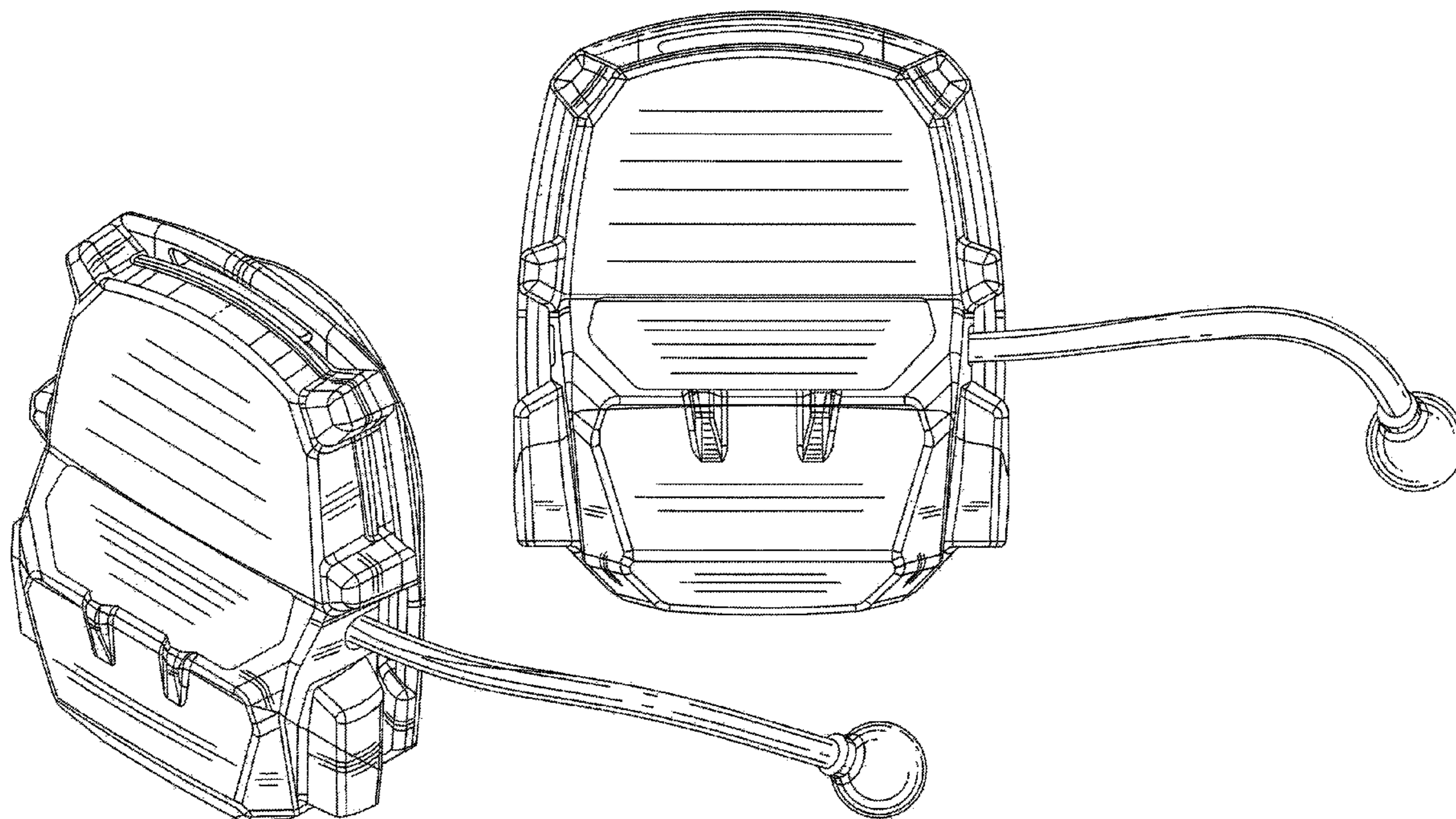
FIG. 2 is a front elevational view thereof;

FIG. 3 is a rear elevational view thereof; and,

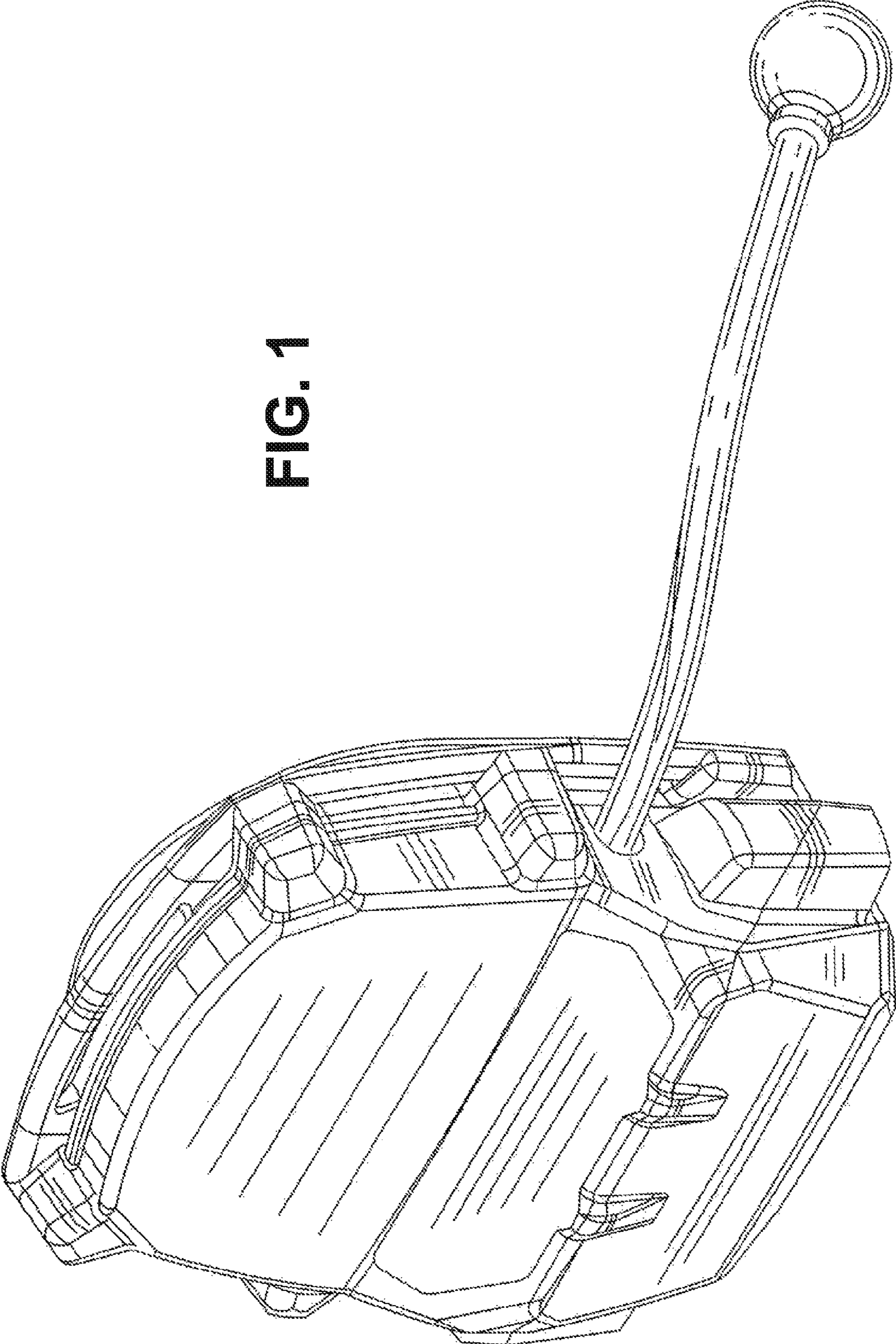
FIG. 4 is a side elevation from the right side (The left side corresponds except for the absence of the microphone support).

The broken lines form no part of the claimed design.

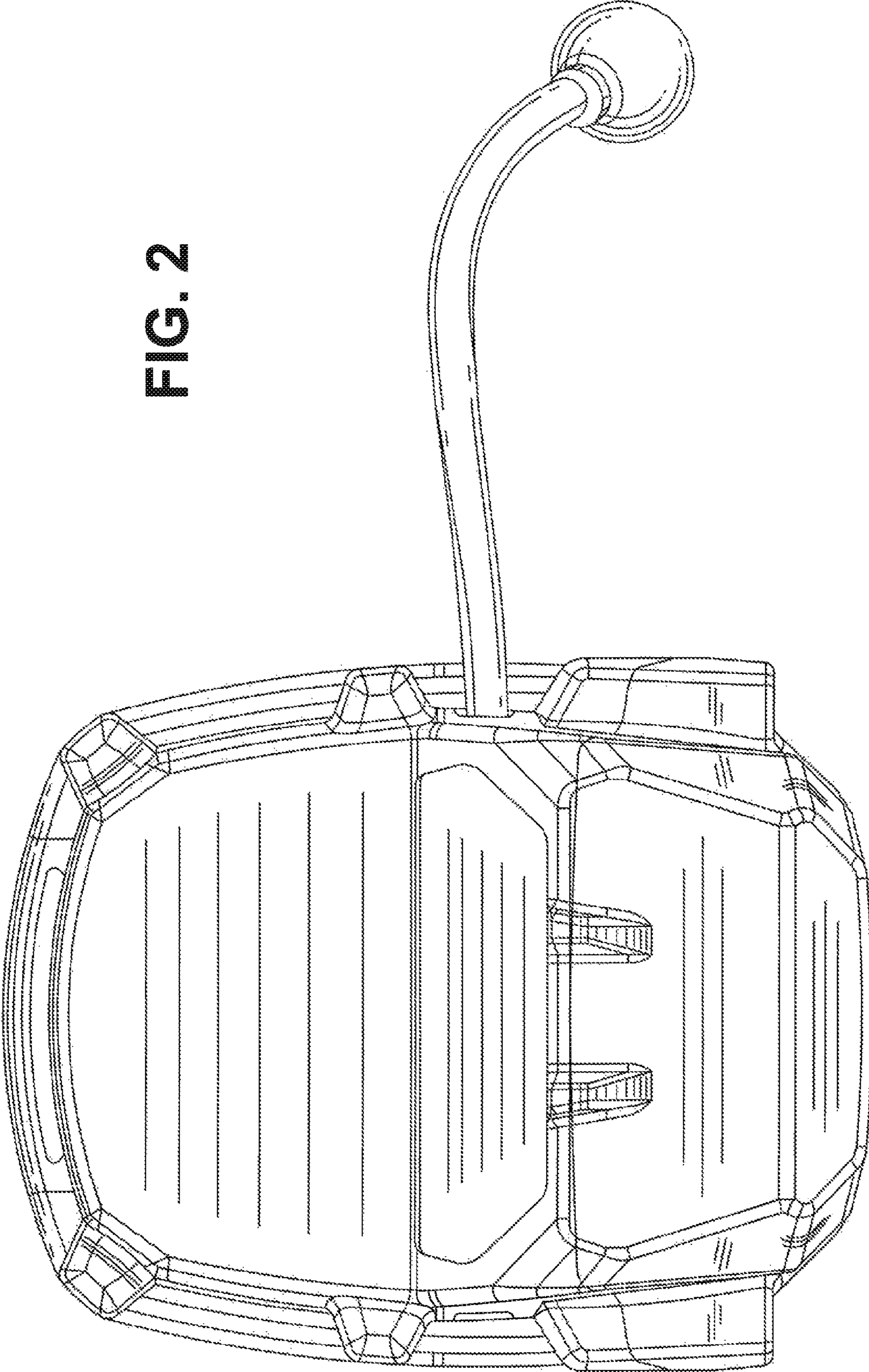
**1 Claim, 4 Drawing Sheets**

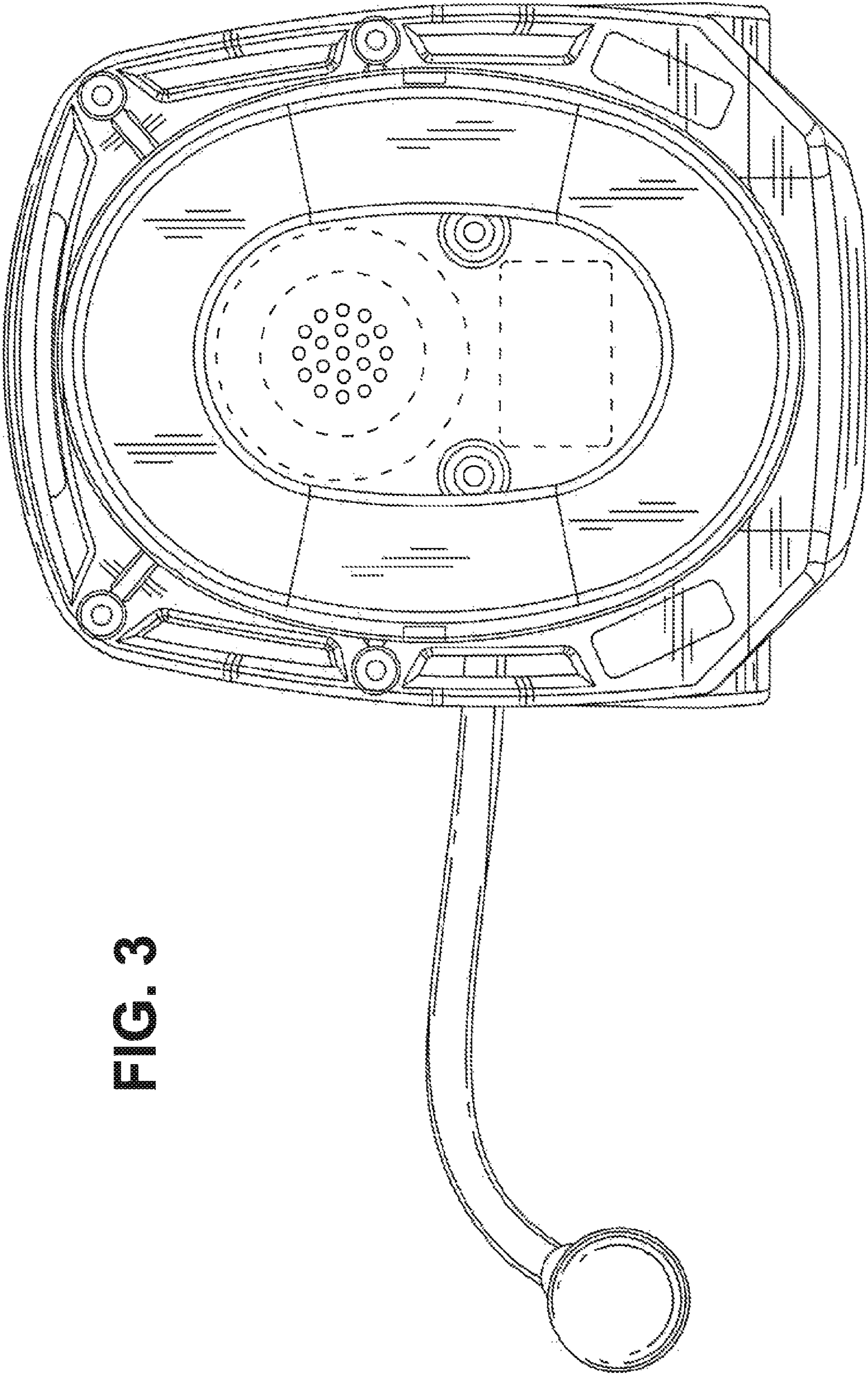


**FIG. 1**



**FIG. 2**





**FIG. 3**

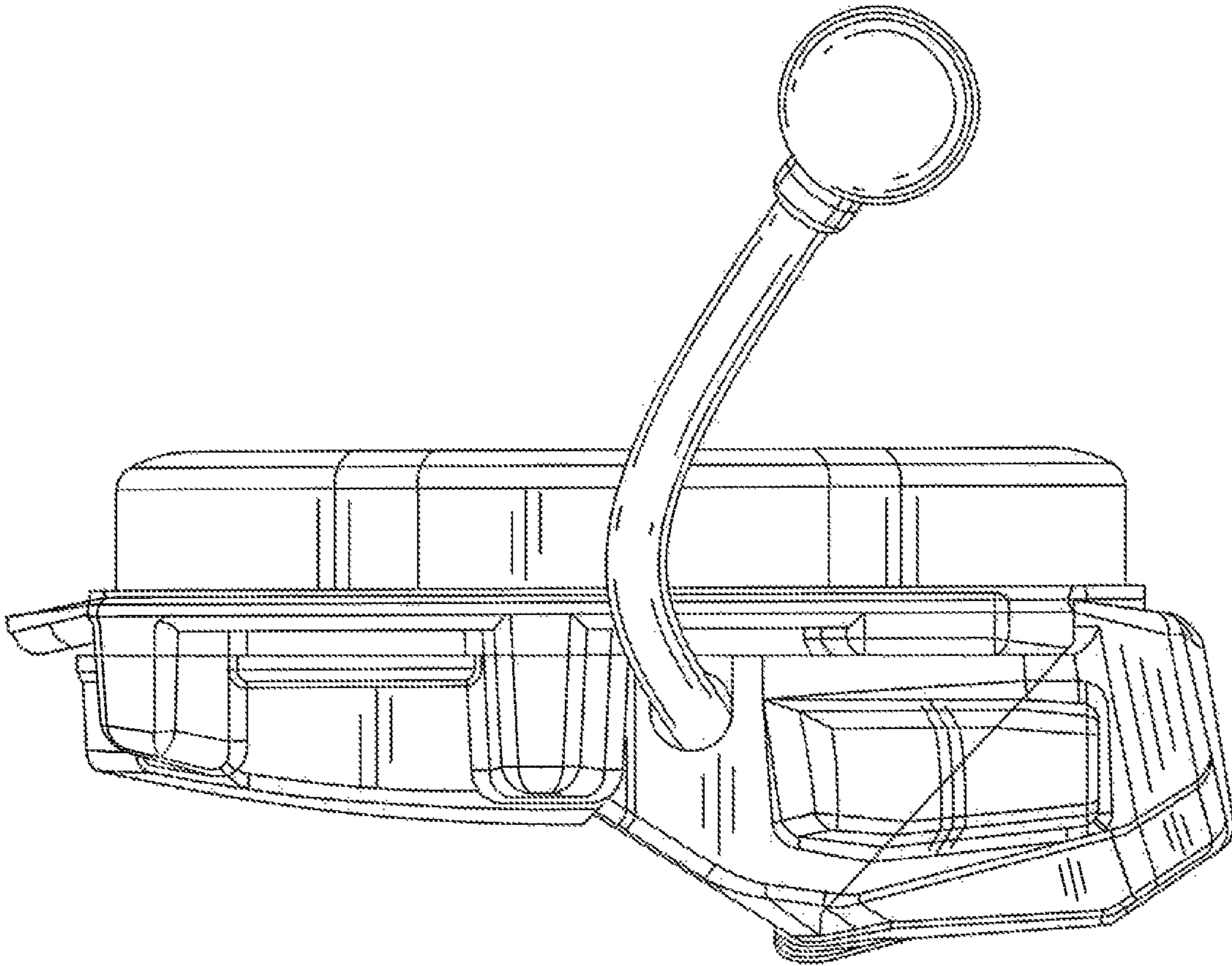


FIG. 4