



US00D659116S

(12) **United States Design Patent**
Iseki

(10) **Patent No.:** **US D659,116 S**
(45) **Date of Patent:** **** May 8, 2012**

(54) **HEADSET**

(75) Inventor: **Daisuke Iseki**, Tokyo (JP)

(73) Assignee: **Sony Corporation**, Tokyo (JP)

(**) Term: **14 Years**

(21) Appl. No.: **29/347,988**

(22) Filed: **Sep. 3, 2010**

(30) **Foreign Application Priority Data**

Mar. 5, 2010 (JP) D2010-005397
Mar. 5, 2010 (JP) D2010-005420

(51) **LOC (9) Cl.** **14-01**

(52) **U.S. Cl.** **D14/205**

(58) **Field of Classification Search** D14/205,
D14/206, 223, 142, 192, 188, 249, 250; 181/129,
181/130, 135; 379/430, 431; 381/380, 381,
381/382, 370, 375; 455/90.3, 569.1, 575.2;
2/209, 423; D29/112, 122

See application file for complete search history.

(56) **References Cited**

U.S. PATENT DOCUMENTS

196,654 A * 10/1877 Van Den Berg 252/73
1,628,483 A * 5/1927 Wiegand et al. 2/174
2,215,385 A * 9/1940 Berry 411/191
2,474,386 A * 6/1949 Volkmann 381/378
D194,152 S * 11/1962 Noyes et al. D14/205
3,445,597 A * 5/1969 Walters 379/430
3,562,816 A * 2/1971 Hutchinson 2/209
4,571,746 A * 2/1986 Gorike 2/209
4,634,816 A * 1/1987 O'Malley et al. 379/430
D292,205 S * 10/1987 Kikutani D14/205
D310,223 S * 8/1990 Chudnow D14/205
D328,074 S * 7/1992 Yamazaki et al. D14/205
D328,461 S * 8/1992 Daido et al. D14/205
D338,010 S * 8/1993 Yamatogi D14/205
D346,802 S * 5/1994 Sacherman et al. D14/206
5,551,090 A * 9/1996 Thompson 2/209
D457,512 S * 5/2002 Yoneda
D505,411 S * 5/2005 Sakai D14/192

RE40,318 E 5/2008 Yoneda
D588,100 S * 3/2009 Densho et al. D14/205
D594,847 S 6/2009 Suzuki
D609,694 S * 2/2010 Komiyama D14/205
D620,474 S * 7/2010 Komiyama D14/205
D625,709 S * 10/2010 Yamamoto D14/223
D634,298 S * 3/2011 Shimizu et al. D14/205
D634,730 S * 3/2011 Kitayama D14/205
D635,124 S * 3/2011 Morimoto D14/205
D637,997 S * 5/2011 Peller D14/205

FOREIGN PATENT DOCUMENTS

JP D1124110 S 10/2001
JP D1363194 S 6/2009

* cited by examiner

Primary Examiner — Paula Greene

(74) *Attorney, Agent, or Firm* — Rader, Fishman & Grauer
PLLC

(57) **CLAIM**

The ornamental design for a headset, as shown and described.

DESCRIPTION

FIG. 1 is a perspective view of a headset showing my new design;

FIG. 2 is a front elevational view thereof;

FIG. 3 is a rear elevational view thereof;

FIG. 4 is a left side elevational view thereof;

FIG. 5 is a right side elevational view thereof;

FIG. 6 is a top plan view thereof; and

FIG. 7 is a bottom plan view thereof.

FIG. 8 is a perspective view of another embodiment of a headset showing my new design;

FIG. 9 is a front elevational view thereof;

FIG. 10 is a rear elevational view thereof;

FIG. 11 is a left side elevational view thereof;

FIG. 12 is a right side elevational view thereof;

FIG. 13 is a top plan view thereof; and,

FIG. 14 is a bottom plan view thereof.

Portions in broken lines are for illustrative purposes only and form no part of claimed design.

1 Claim, 10 Drawing Sheets

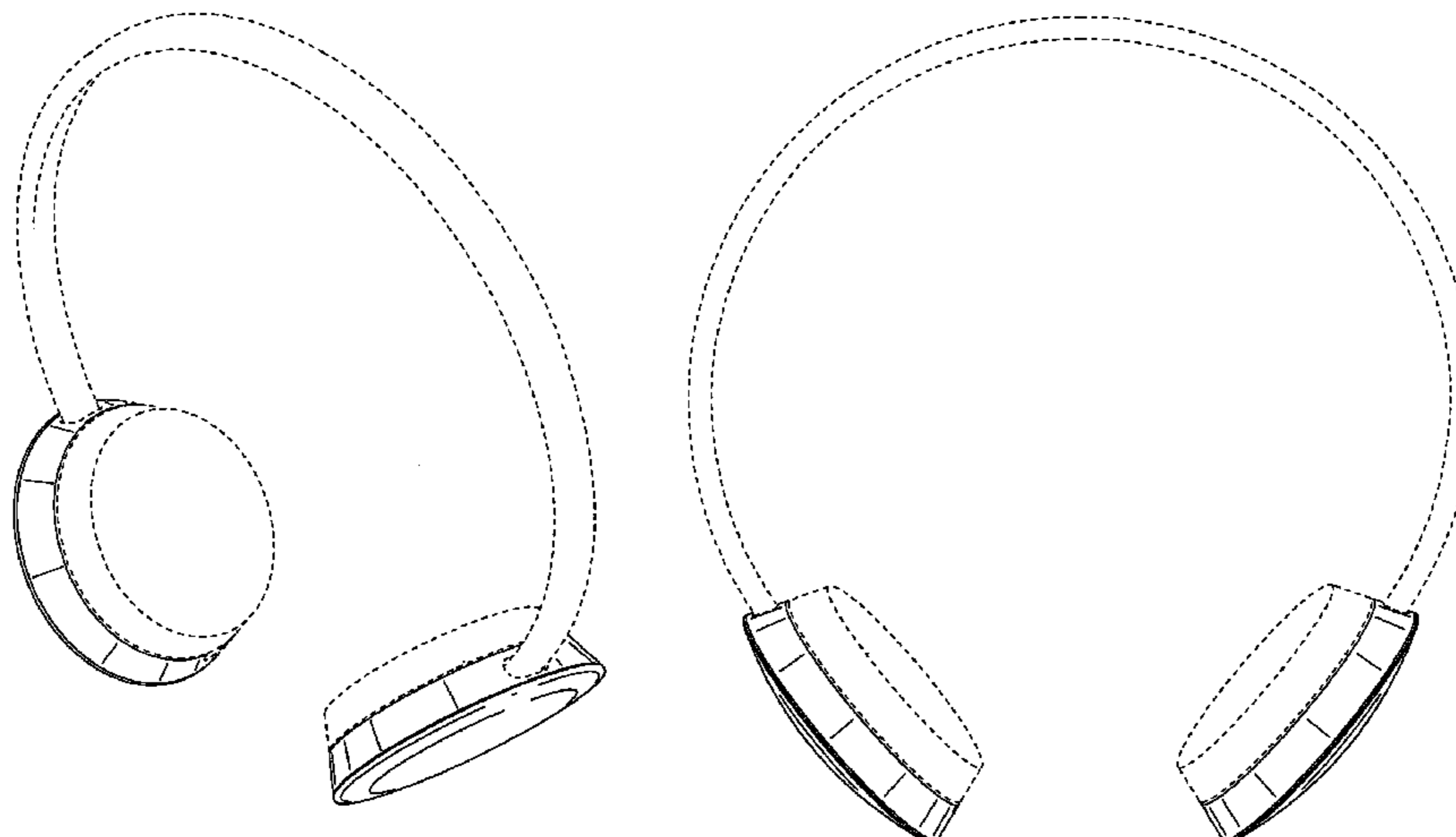


FIG. 1

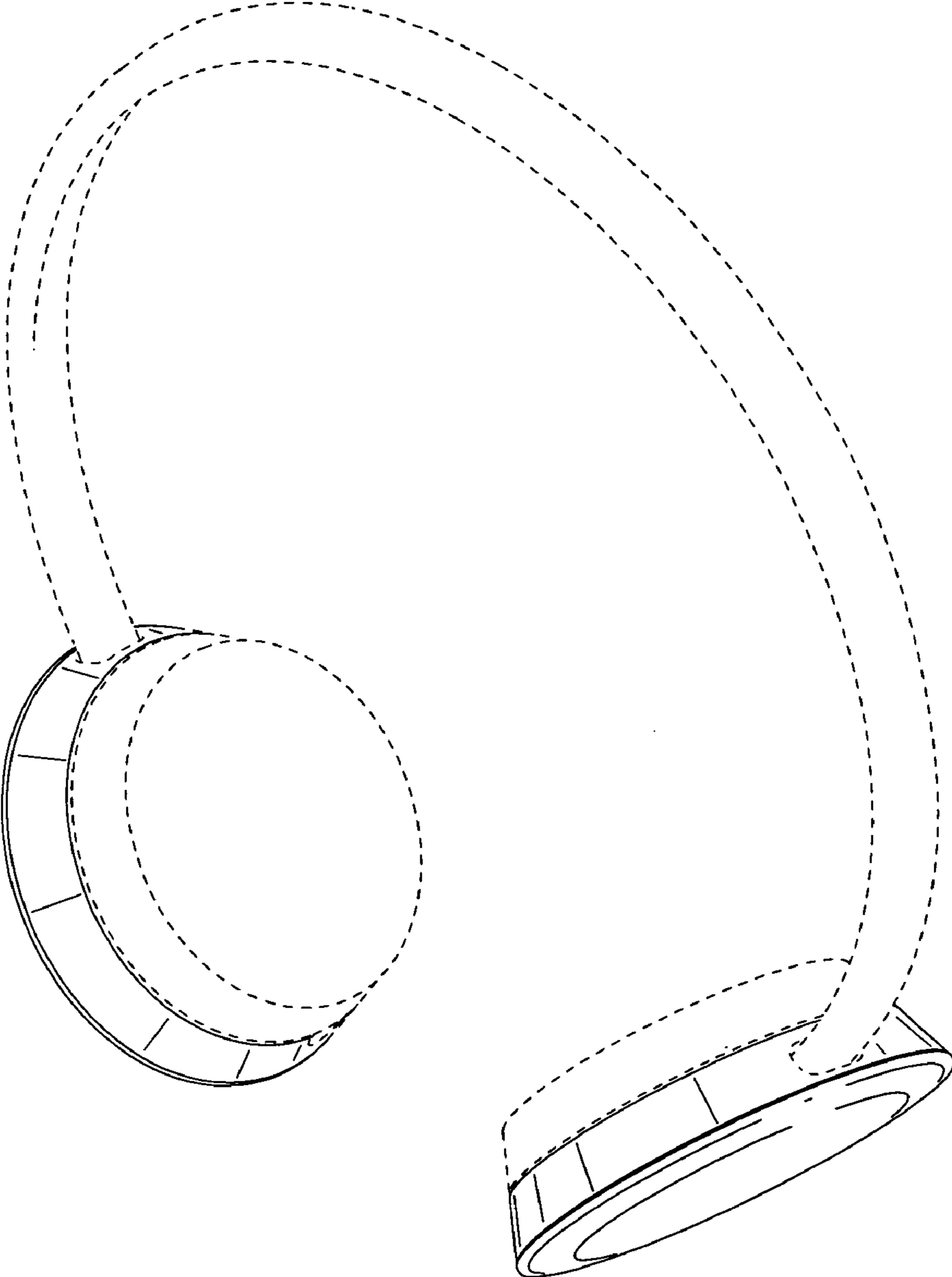


FIG.2

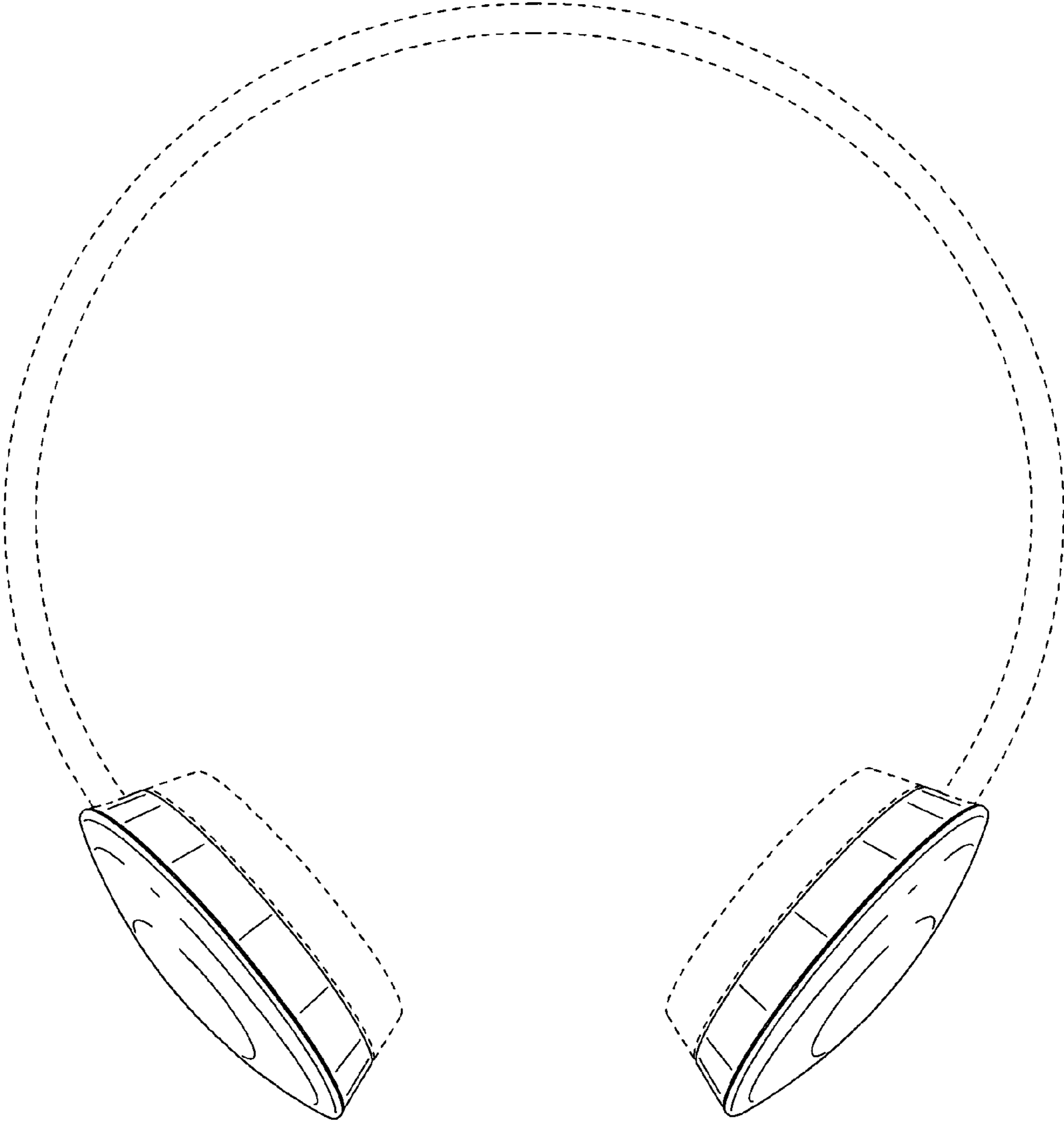


FIG.3

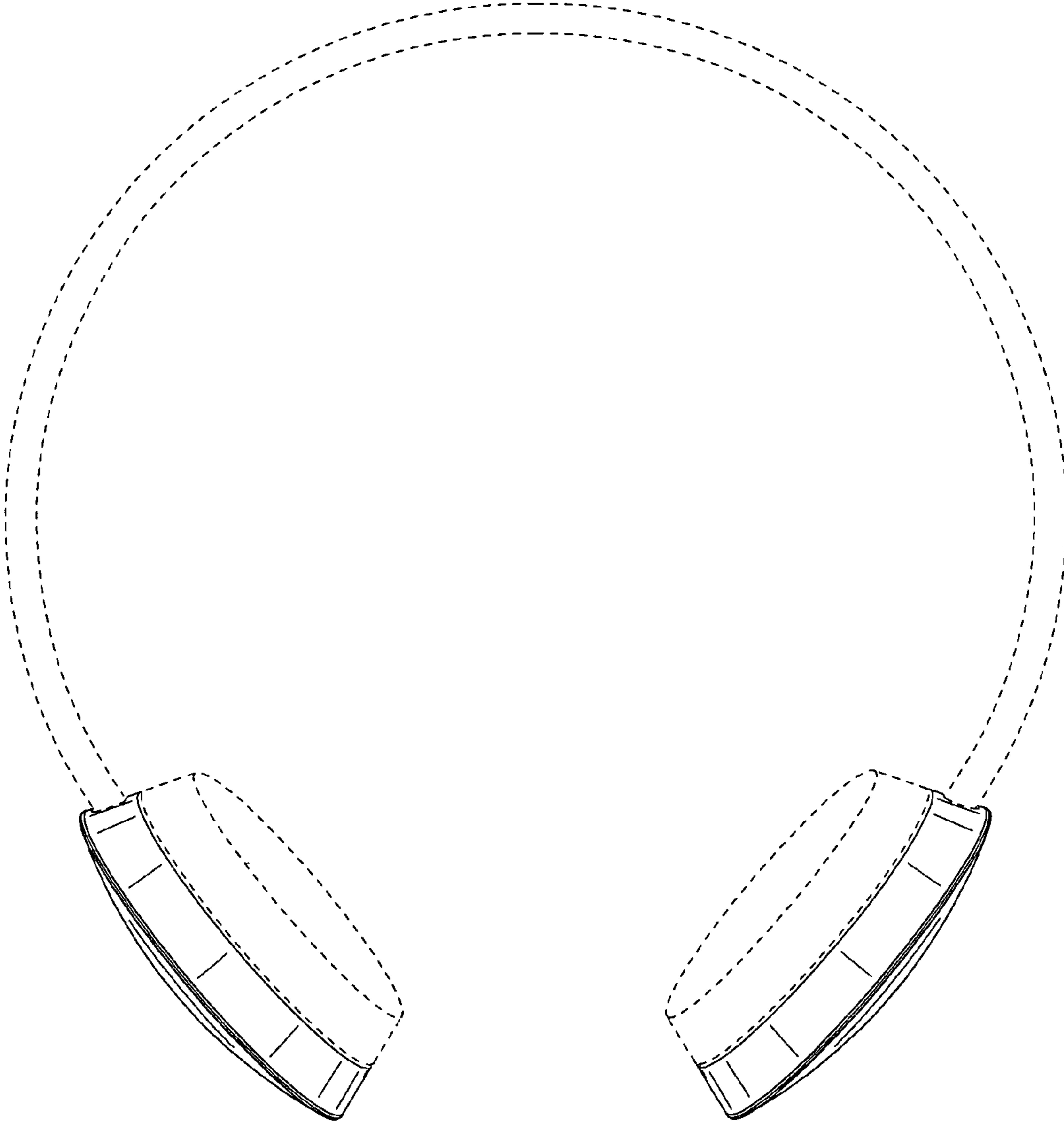


FIG.4

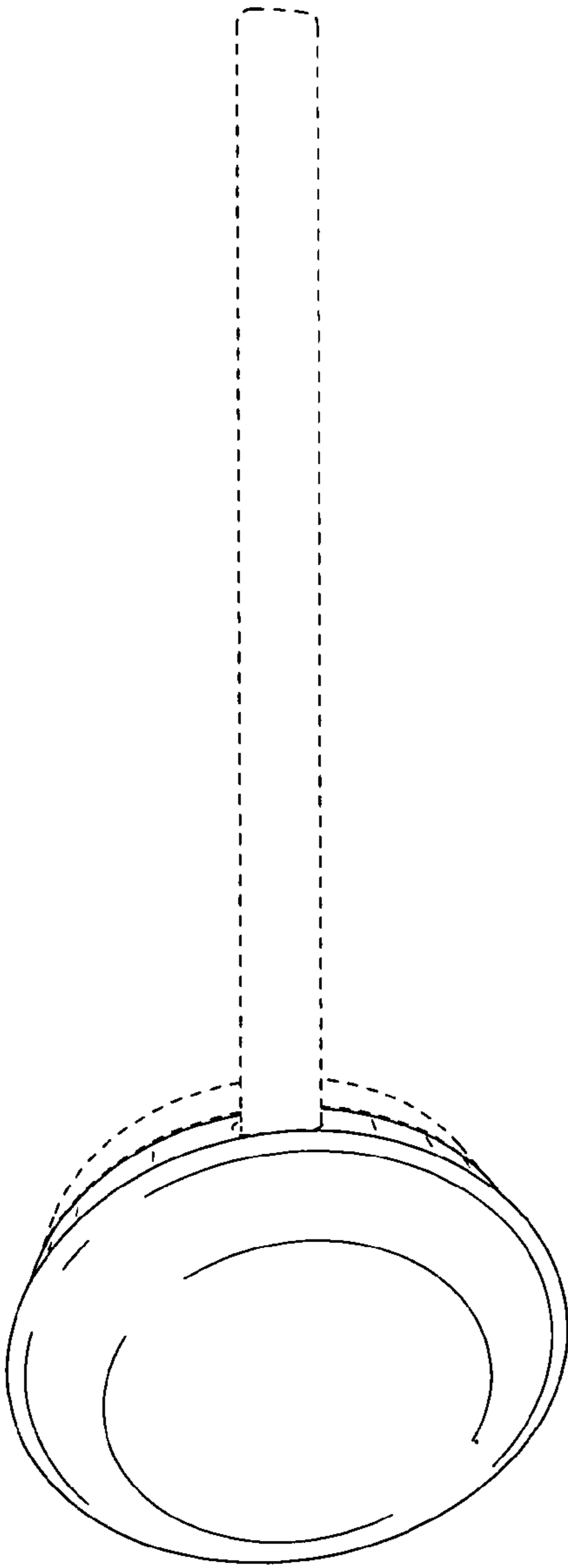


FIG.5

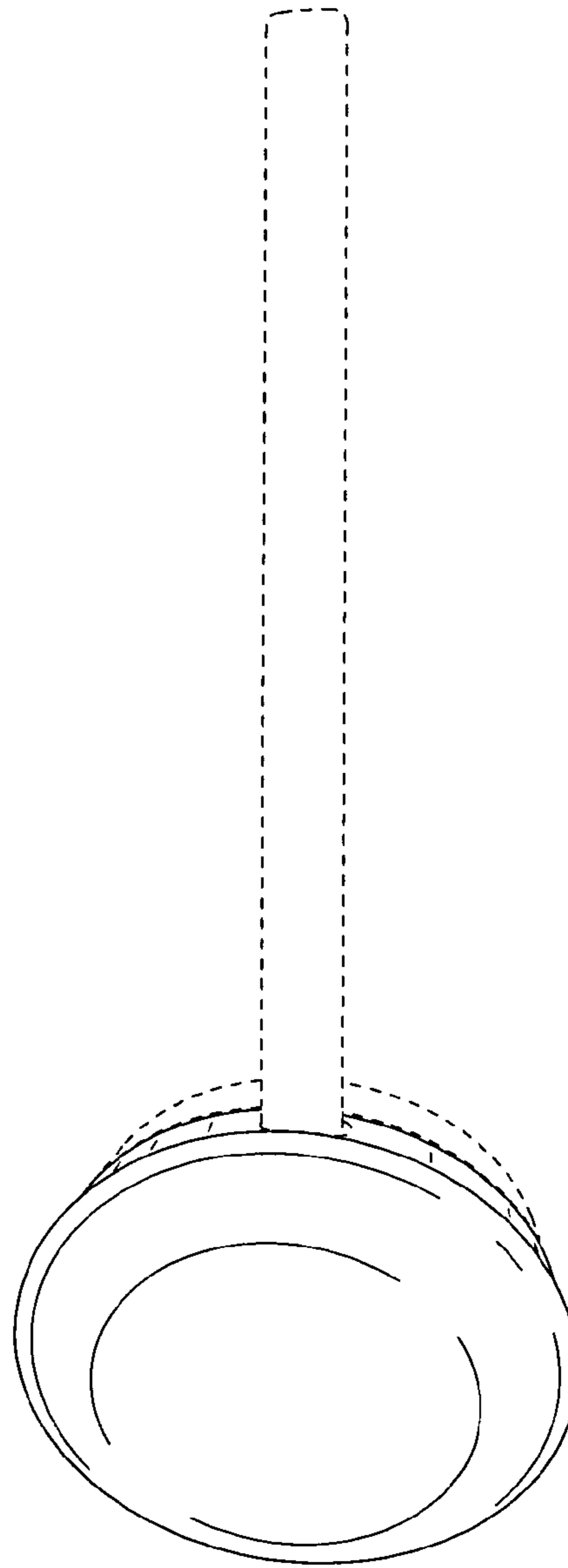


FIG.6

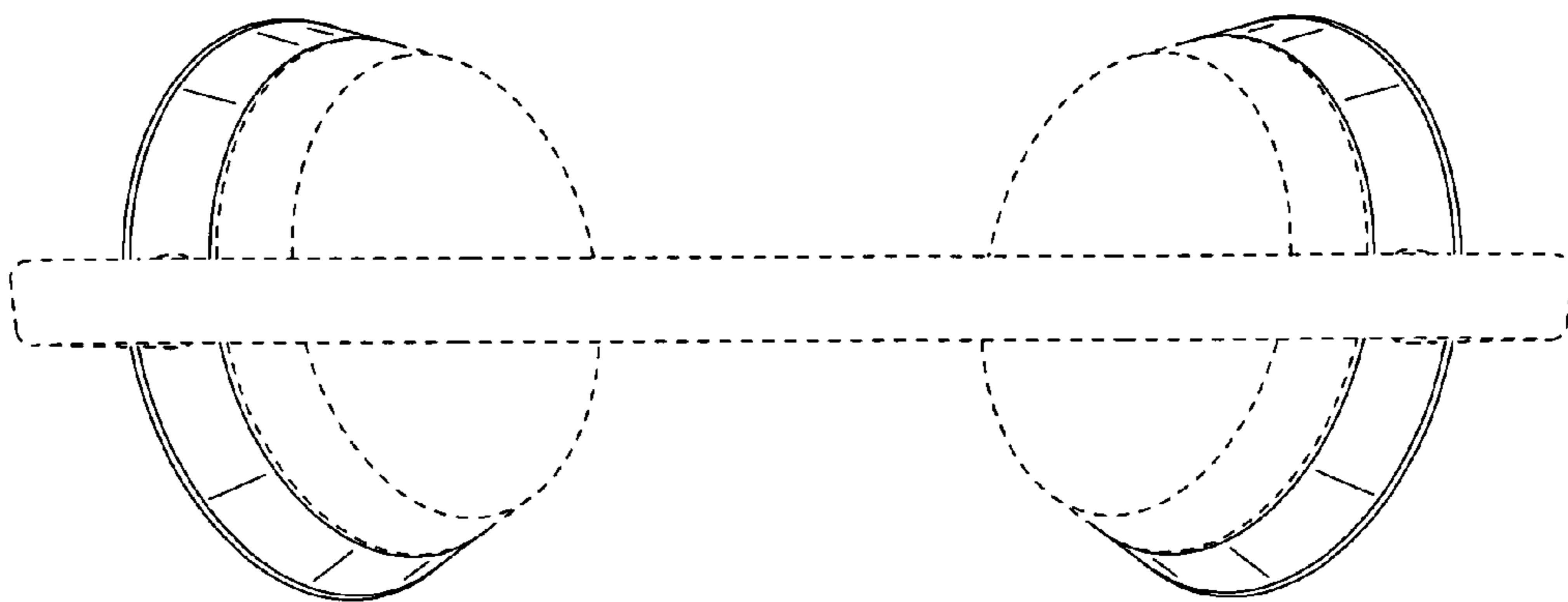


FIG.7

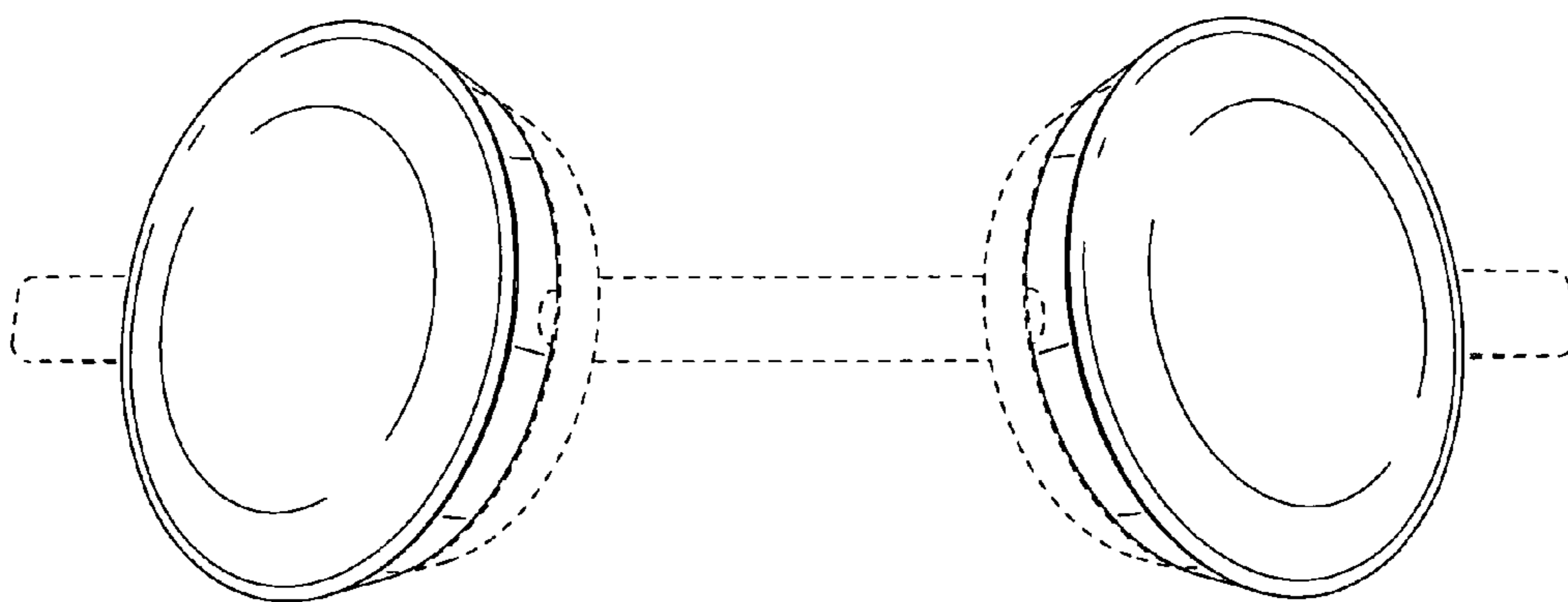


FIG.8

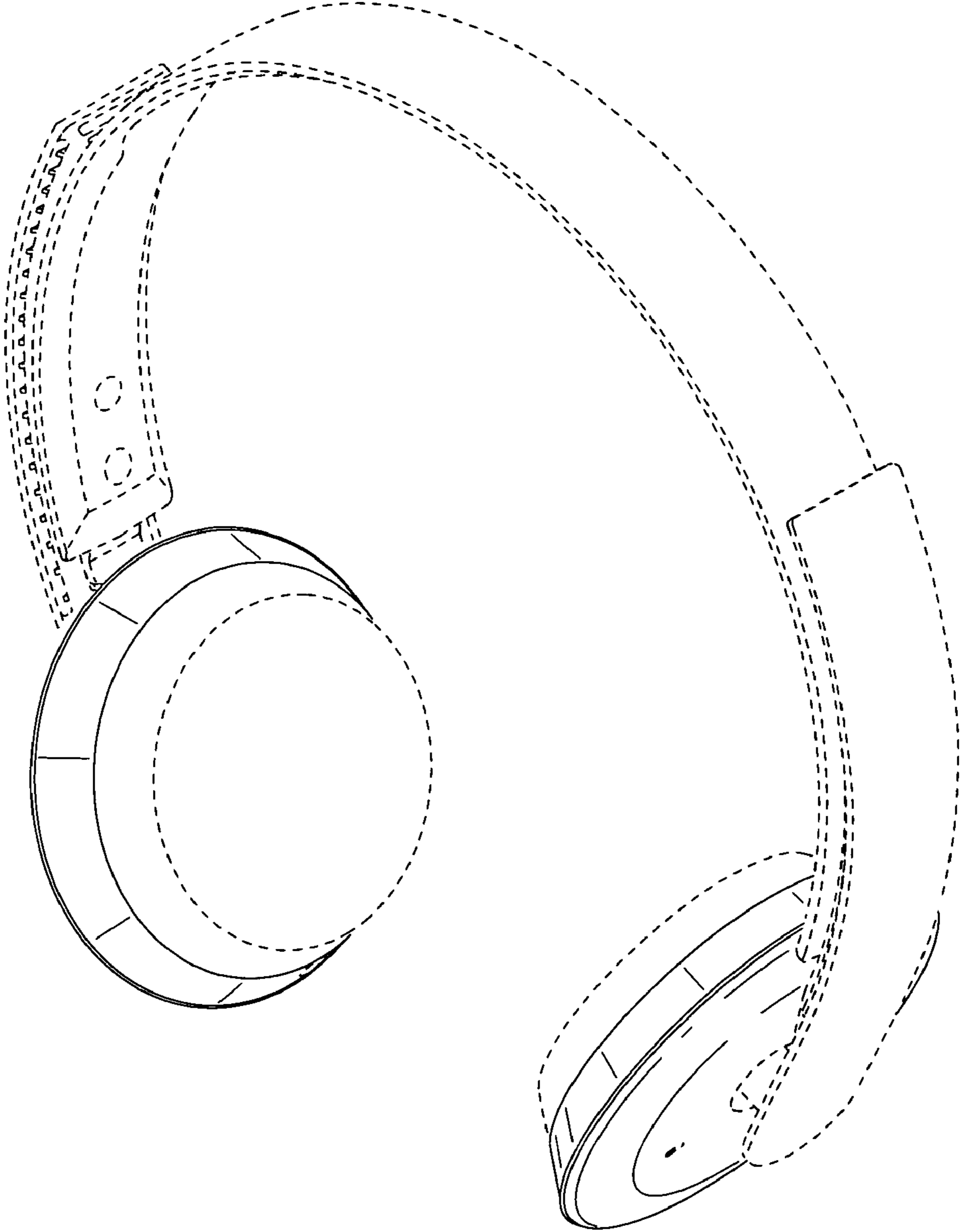


FIG.9

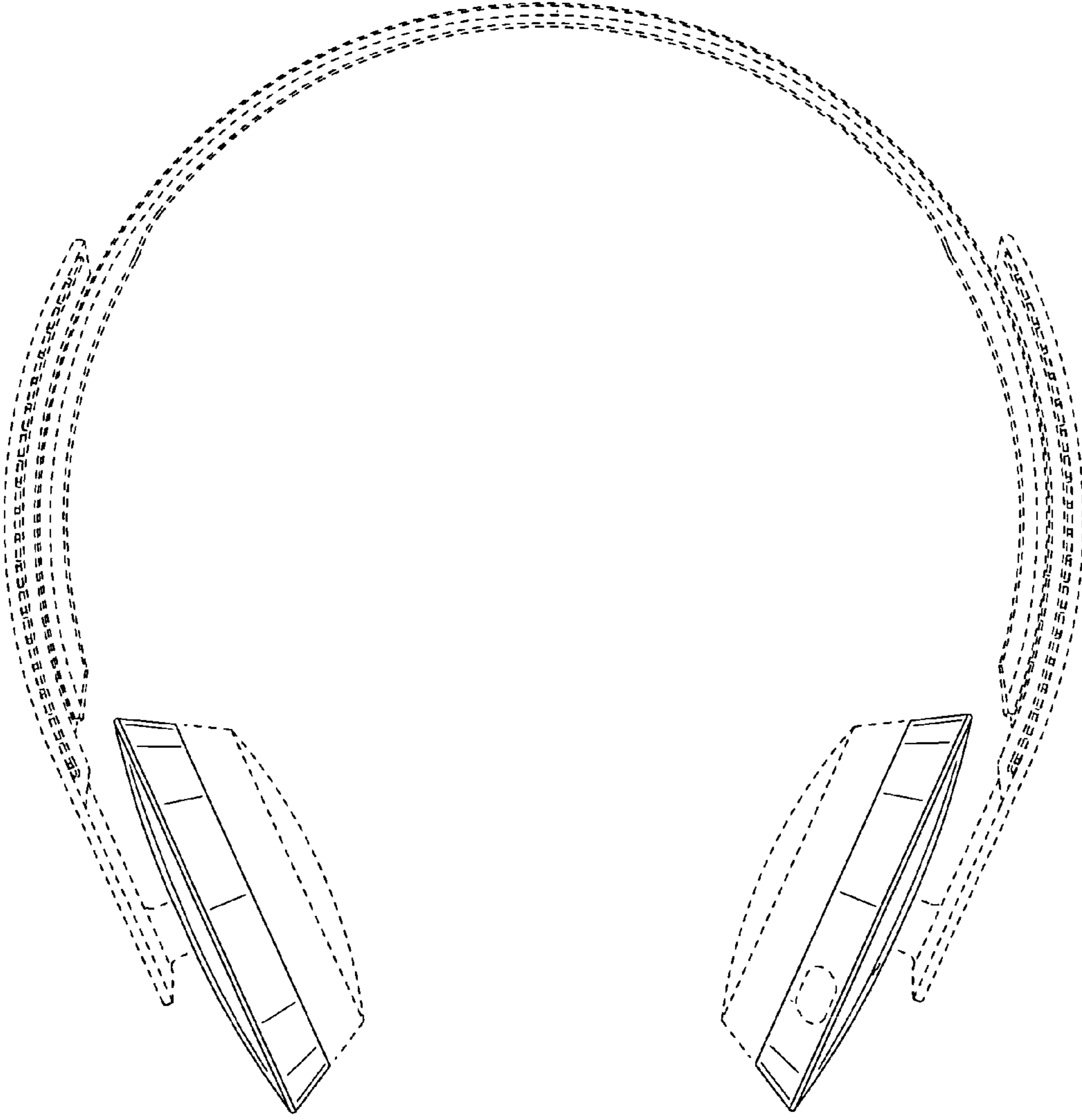


FIG.10

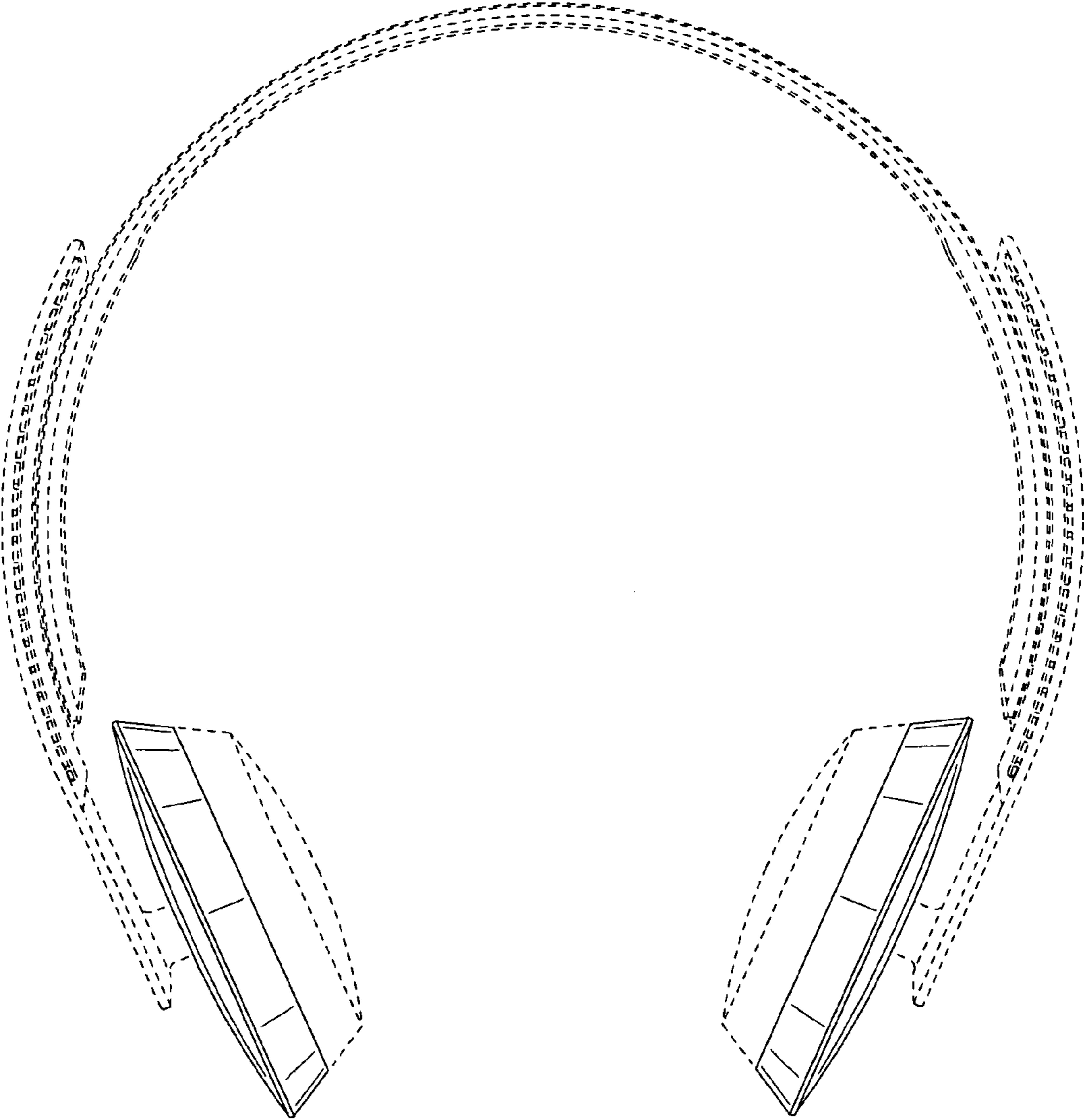


FIG.11

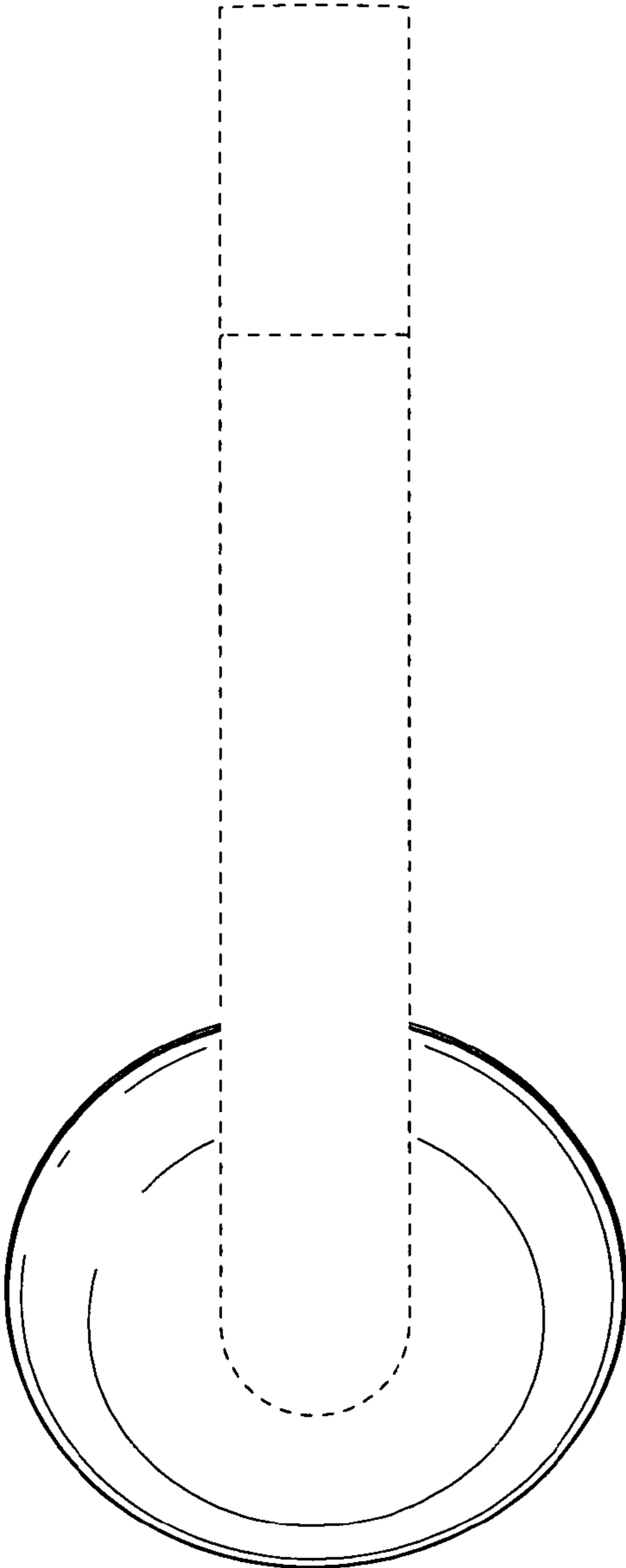


FIG.12

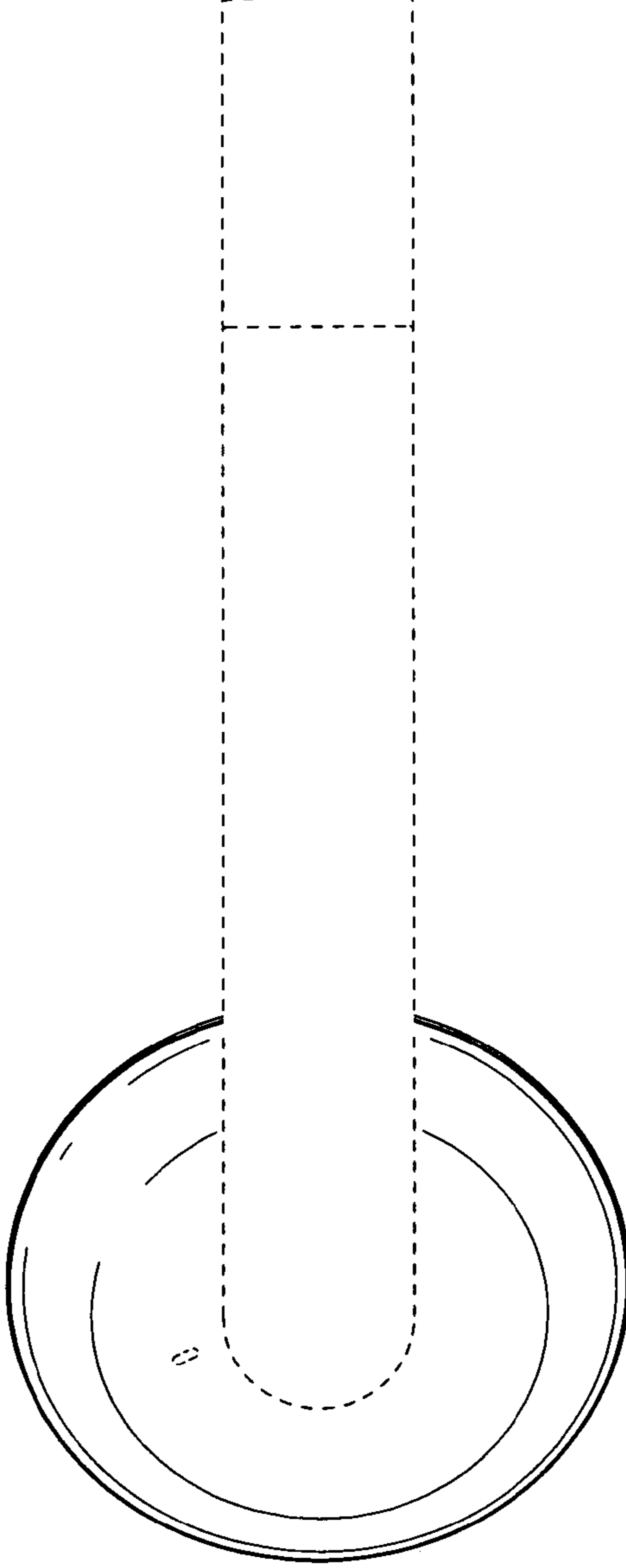


FIG.13

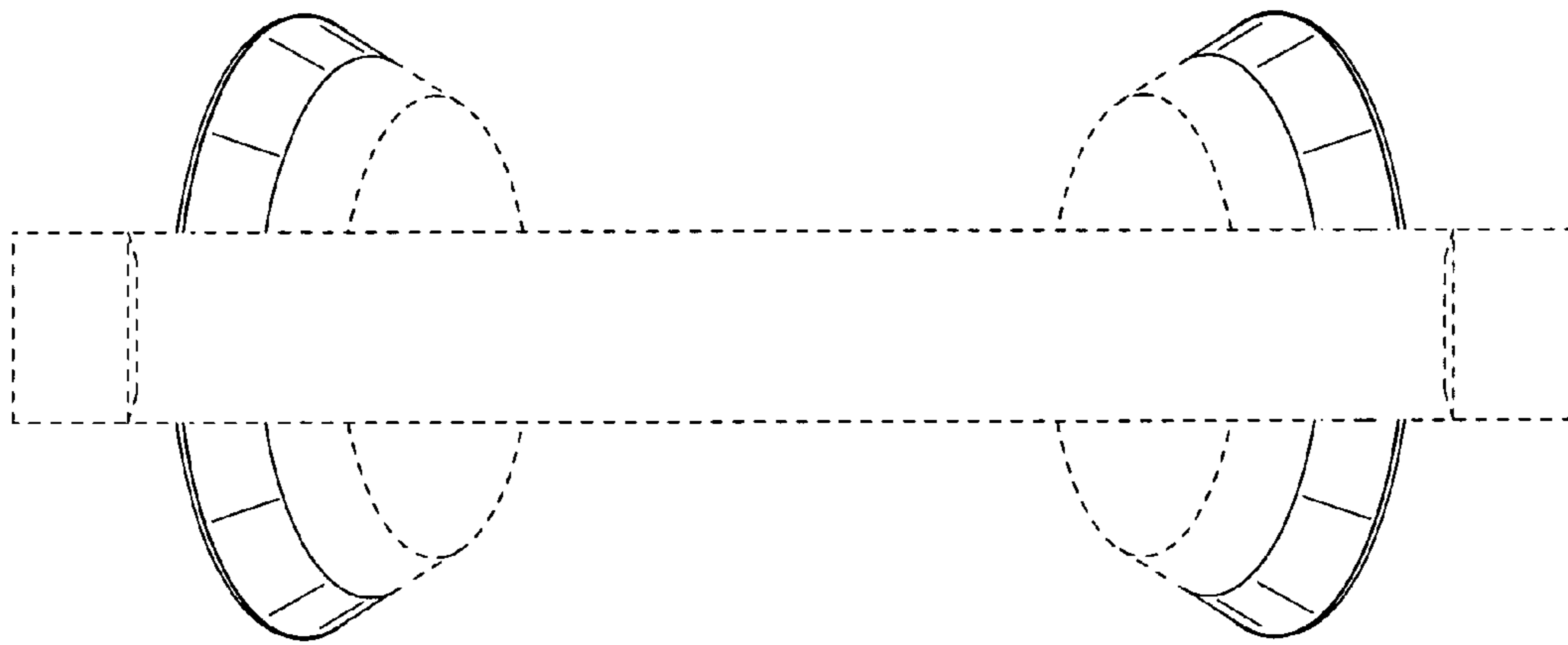


FIG.14

