



US00D659112S

(12) **United States Design Patent**
Ryu et al.

(10) **Patent No.:** **US D659,112 S**
(45) **Date of Patent:** **** May 8, 2012**

(54) **RECEIVER FOR HOME THEATER**

(75) Inventors: **Junghan Ryu**, Seoul (KR); **Banhee Lee**, Seoul (KR); **Hyunbyung Cha**, Seoul (KR)

(73) Assignee: **LG Electronics Inc.**, Seoul (KR)

(**) Term: **14 Years**

(21) Appl. No.: **29/371,749**

(22) Filed: **Aug. 26, 2011**

(30) **Foreign Application Priority Data**

Feb. 28, 2011 (KR) 30-2011-0007916

(51) **LOC (9) Cl.** **14-03**

(52) **U.S. Cl.** **D14/125**

(58) **Field of Classification Search** D14/125,
D14/357-358, 496, 188, 242, 432; D13/184;
348/10, 460, 706, 731; 340/825.03; 455/6.1,
455/6.2; 312/223.1, 7.2

See application file for complete search history.

(56) **References Cited**

U.S. PATENT DOCUMENTS

D414,770 S * 10/1999 Wetherell et al. D14/198
D533,851 S * 12/2006 Yoon D14/126

D544,455 S * 6/2007 Park et al. D14/125
D608,744 S * 1/2010 Kim et al. D14/125
D620,028 S * 7/2010 Kim D14/125
D623,154 S * 9/2010 Tu D14/125
D635,530 S * 4/2011 Sung et al. D14/125
D635,534 S * 4/2011 Cho et al. D14/125
D636,357 S * 4/2011 Kim et al. D14/125
D646,240 S * 10/2011 Kim et al. D14/125
D650,345 S * 12/2011 Kim D14/125

* cited by examiner

Primary Examiner — Raphael Barkai

Assistant Examiner — Randall Gholson

(74) *Attorney, Agent, or Firm* — Birch, Stewart, Kolasch & Birch, LLP

(57) **CLAIM**

The ornamental design for a receiver for home theater, as shown and described.

DESCRIPTION

FIG. 1 is a perspective view of a receiver for home theater showing our new design;

FIG. 2 is a front view thereof;

FIG. 3 is a rear view thereof;

FIG. 4 is a left side view thereof where the right side view is a mirror image;

FIG. 5 is a top plan view thereof; and,

FIG. 6 is a bottom plan view thereof.

1 Claim, 5 Drawing Sheets

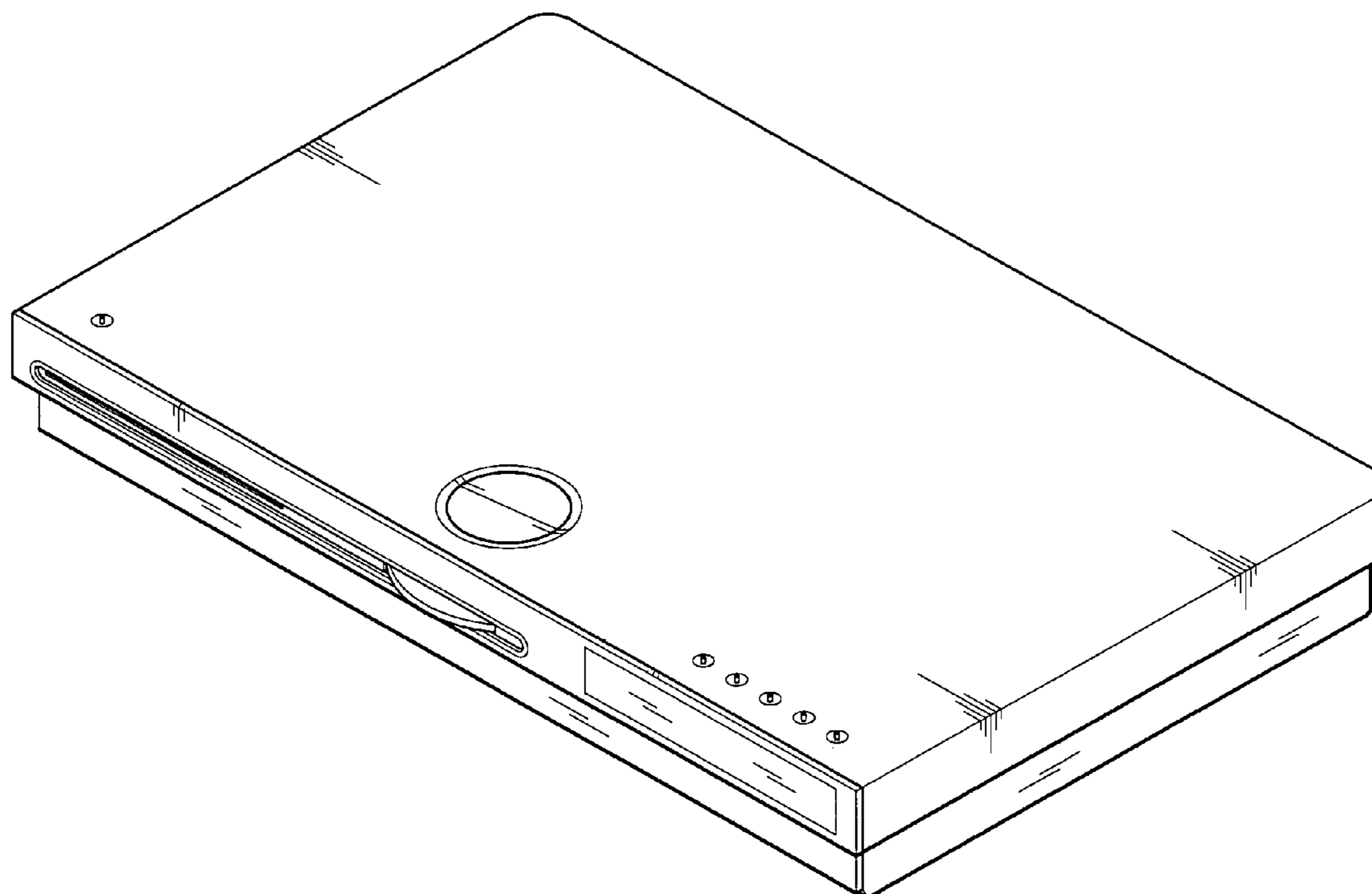


FIG. 1

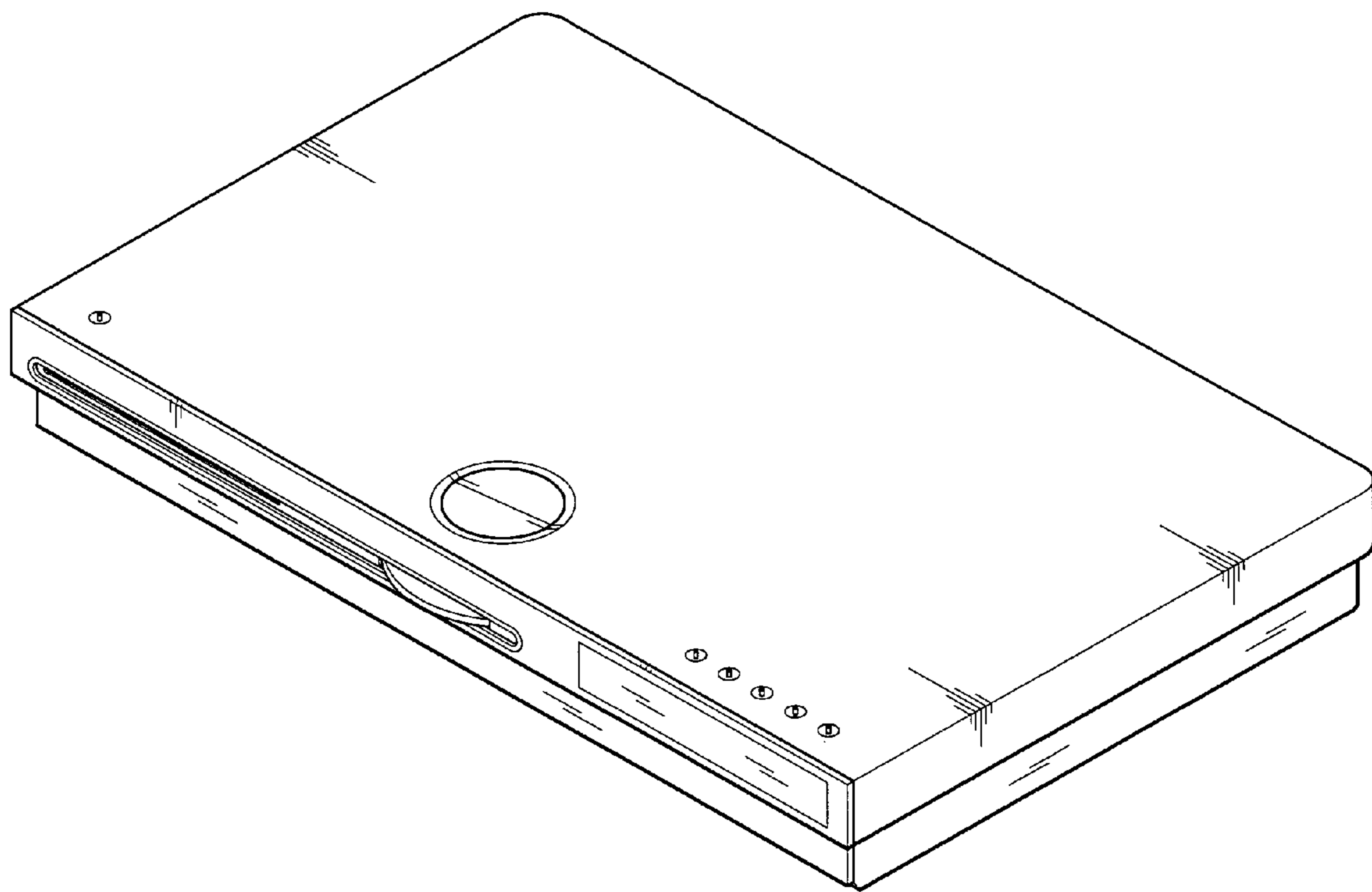


FIG. 2

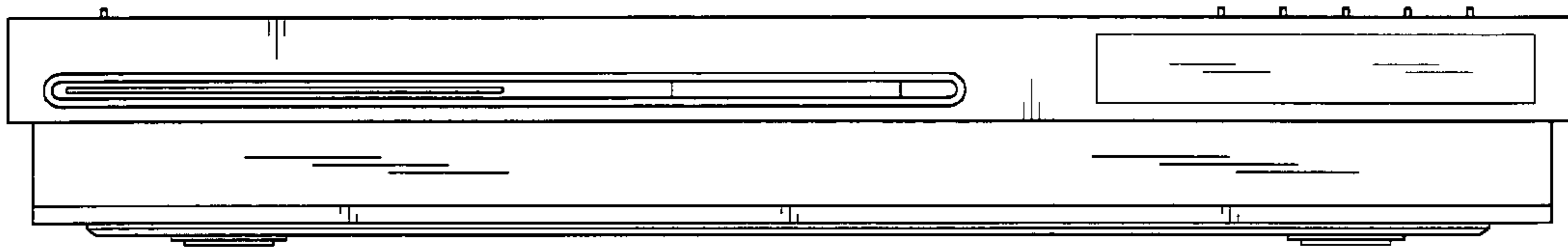


FIG. 3

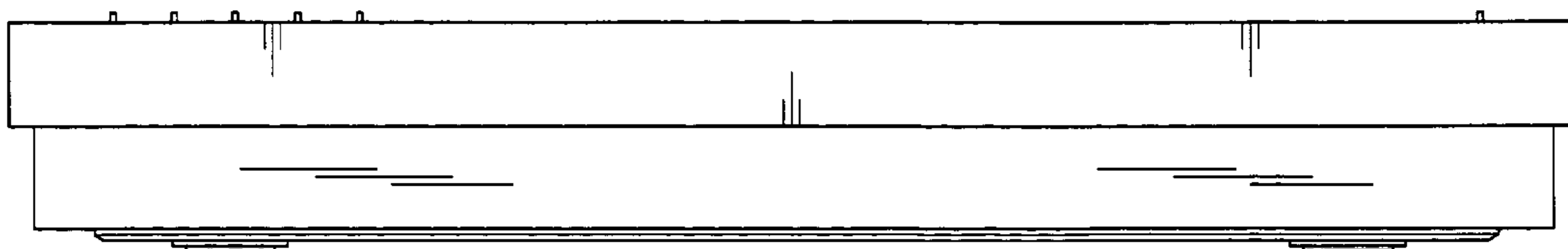


FIG. 4

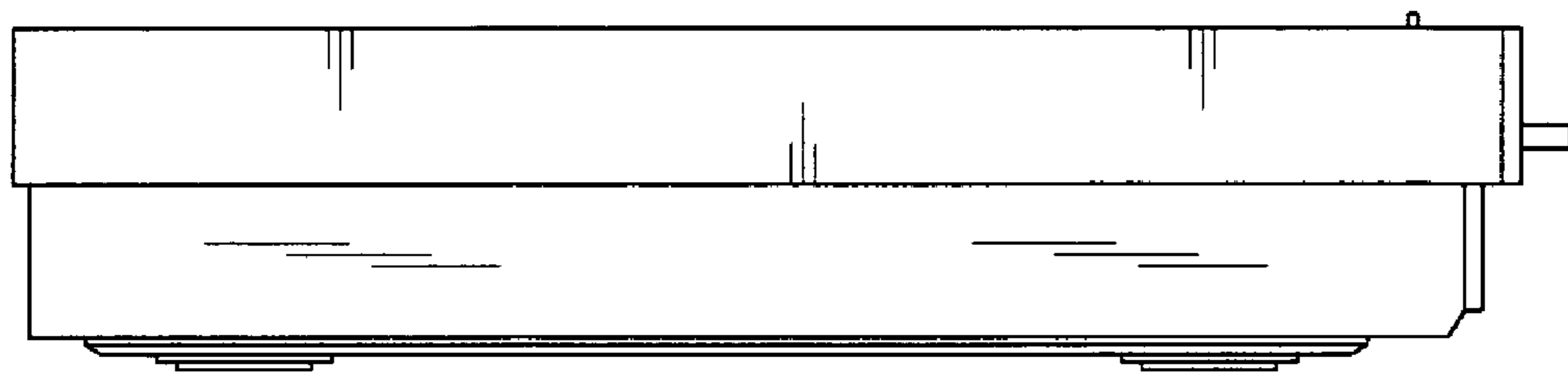


FIG. 5

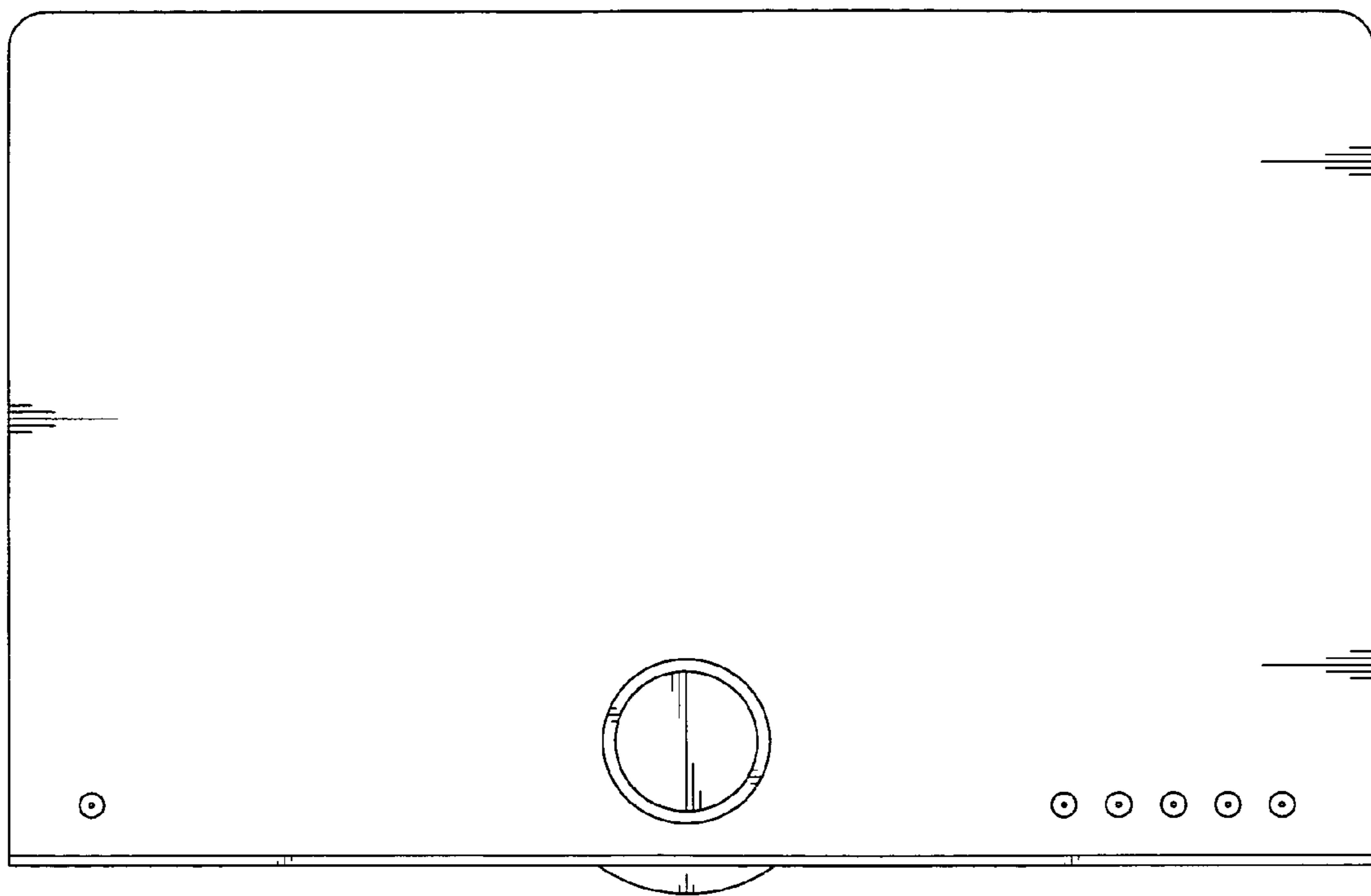


FIG. 6

